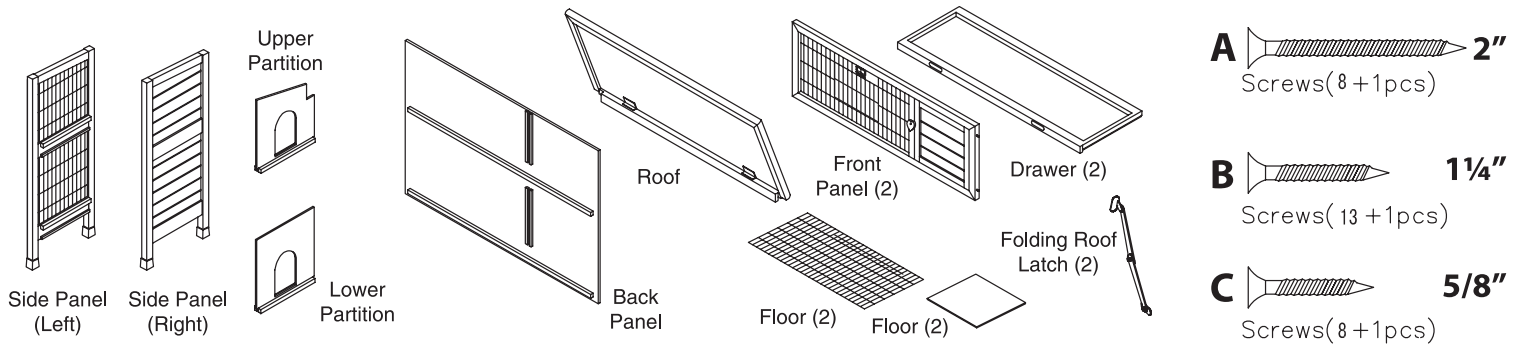
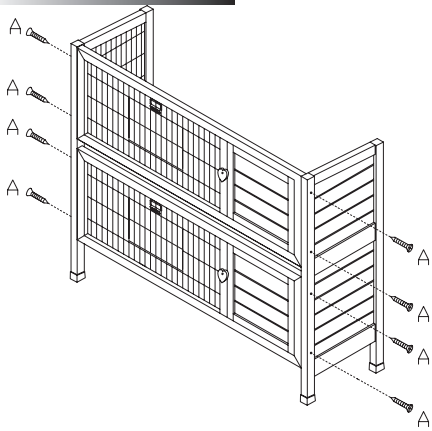


# Premium+ Double Decker • Assembly Instructions

**Tools Required: Regular Screwdriver**

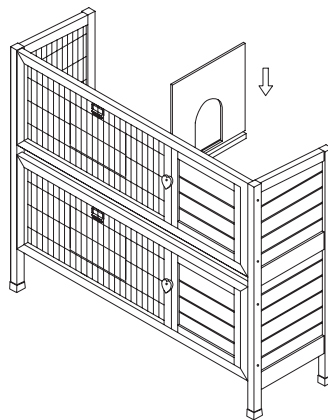


## STEP 1



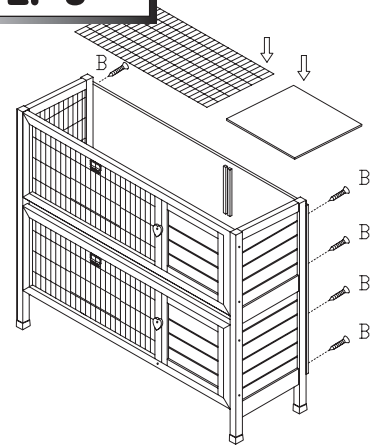
Attach Side Panels to Front Panels using 8- 2" screws (A) as shown.

## STEP 2



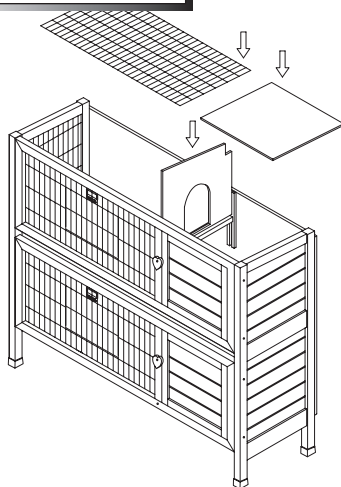
Insert Lower Partition as shown.

## STEP 3



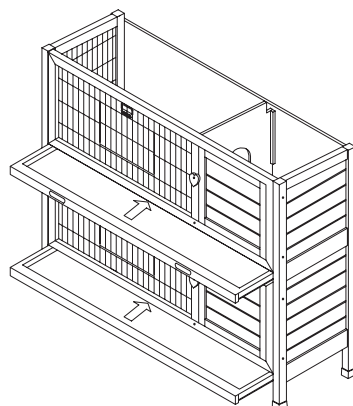
Attach Back Panel using 8- 1 1/4" screws (B). Insert Floor on lower section.

## STEP 4



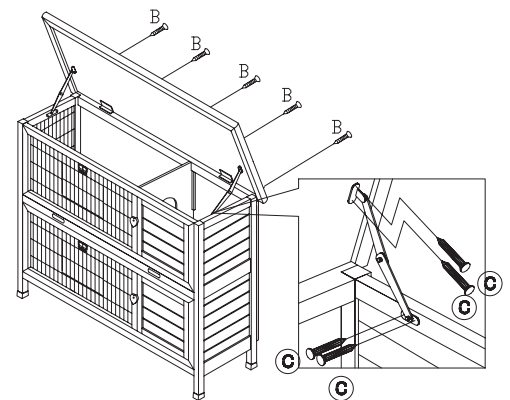
Insert Upper Floor Panels on Upper Partition.

## STEP 5



Slide Drawers into the Lower and Middle sections as shown.

## STEP 6



Attach Roof using 5- 1 1/4" screws (B). Attach Folding Roof Latch by using 4- 5/8" screws (C) as shown.

ITEM #01518



7 91611 01518 6

**MADE IN CHINA**  
to the exact Design Specifications of  
**WARE MFG. INC**  
Phoenix, AZ, USA 85004  
VISIT US AT [www.waremfginc.com](http://www.waremfginc.com)

**WARE**  
Manufacturing Inc.