

**GARANTIE LIMITÉE**

Superwinch Inc. (« Vendeur » ou « Superwinch ») garantit à l'acheteur au détail original seulement (« Acheteur ») que tous les produits, pièces et composants Superwinch originaux, sauf les câbles métalliques et accessoires (« Produits ») seront libres de défauts de matériaux et de main d'œuvre pendant une période d'UN (1) an de la date prouvable d'achat d'un nouveau Produit. Tout Produit qui, de l'avis de Superwinch s'avère défectueux sera réparé ou remplacé à la seule discrétion de Superwinch sans frais pour l'Acheteur suite à la conformité de l'Acheteur avec ces procédures. Le Vendeur ou son Agent autorisé peut facturer tous frais raisonnables pour les pièces et la main d'œuvre pour les réparations non couvertes par cette Garantie limitée. Les garanties indiquées dans ce document sont exclusives et remplacent toutes autres garanties, orales ou écrites, expresses ou implicites.

**PROCÉDURE DE GARANTIE LIMITÉE**

En contactant le Vendeur, l'Acheteur postera, expédiera ou livrera de quelque autre façon à l'adresse indiquée plus bas ou à un centre de service autorisé de l'usine : (1) le Produit; (2) une description écrite du problème; (3) le nom de l'Acheteur, son adresse et son numéro de téléphone; et (4) une copie du reçu de vente original. Postez, expédiez ou livrez de toute autre façon le Produit, l'information requise et les copies au Vendeur, à frais d'affranchissement ou d'expédition prépayés.

**LIMITES ET EXCLUSIONS**

La réparation et/ou le remplacement du Produit est à la seule discrétion et est le seul recours de l'Acheteur. Cette garantie ne s'applique pas aux défauts de tout Produit causés par : (1) l'usure normale; (2) une non-conformité à toutes instructions d'installation, d'opération ou de maintenance fournies par Superwinch y compris, mais sans s'y limiter, soumettre le Produit à des charges dépassant la charge indiquée dans le Mode d'Emploi ou dans les instructions pour le Produit en particulier ainsi que le numéro de modèle; (3) l'utilisation commerciale ou industrielle; (4) l'altération ou la modification par des parties autres que Superwinch; (5) la mauvaise utilisation, l'abus, la négligence, les accidents, les forces majeures ou le terrorisme; ou (6) d'autres causes hors du contrôle de Superwinch après la livraison du Produit par Superwinch à son distributeur autorisé. Si tout modèle ou échantillon a été montré à l'Acheteur, un tel modèle ou échantillon a été utilisé à des fins d'illustration seulement et ne sera pas considéré comme une garantie que le Produit sera conforme à l'échantillon ou au modèle.

DANS LA PLEINE MESURE PERMISE PAR LA LOI APPLICABLE, CE QUI SUIT EST PAR LA PRÉSENTE EXCLUS ET RÉFUTÉ :

- (1) Toutes les garanties quant au câble métallique, vendu seul ou utilisé dans ou incorporé dans tout produit.
- (2) Toutes les garanties quant au fini du Produit.
- (3) Toutes les garanties d'adaptabilité à un besoin particulier.
- (4) Toutes les garanties de commerciabilité.
- (5) Toutes les réclamations de dommages consécutifs ou indirects.

Certains états ou juridictions ne permettent pas de limites ou d'exclusions de transactions pour les clients et ces limites ou exclusions pourraient ne pas s'appliquer à l'Acheteur. La garantie donnée à l'Acheteur des droits juridiques précis et il pourrait y en avoir d'autres. Si une garantie est considérée appliquée à ce Produit, elle n'existera seulement que pour la même période que celle établie dans la garantie limitée expresse indiquée précédemment. AUCUN agent, concessionnaire, distributeur ou employé du Vendeur n'est autorisé à apporter des modifications à cette garantie et aucune déclaration de ce genre, orale ou écrite ne liera le Vendeur.

**QUESTIONS**

Toutes questions portant sur la conformité des garanties fournies dans ce document peuvent être adressées par écrit à Superwinch Inc. ou à Superwinch, Ltd. aux adresses indiquées plus bas.

Superwinch, Inc.  
Winch Drive  
Putnam, CT 06260  
U.S.A.  
Tel. (860) 928-7787  
Fax (860) 963-0811

Superwinch, Ltd.  
Abbey Rise, Whitchurch Road  
Tavistock, Devon PL 19 9DR  
England  
Tel. +44 (0) 1822 614101  
Fax +44 (0) 1822 615204

**OWNER'S MANUAL**

INSTALLATION • OPERATION • MAINTENANCE  
SAFETY PRECAUTIONS • REPAIR PARTS

**AC1500**  
115V AC Electric Winch  
Model AC1500  
Part No. 1715000

**⚠ CAUTION**

**READ AND UNDERSTAND THIS MANUAL BEFORE INSTALLATION  
AND OPERATION OF YOUR SUPERWINCH PRODUCT.**

Superwinch, Inc.  
Winch Drive  
Putnam, CT 06260  
U.S.A.  
Tel. (860) 928-7787  
Fax (860) 963-0811

Superwinch, Ltd.  
Abbey Rise, Whitchurch Road  
Tavistock, Devon PL 19 9DR  
England  
Tel. +44 (0) 1822 614101  
Fax +44 (0) 1822 615204

## INTRODUCTION

Thank you for purchasing an AC1500 winch from Superwinch. It has been designed and manufactured to provide years of trouble-free operation. We hope you will be pleased with its performance. If you are not, for any reason, please contact our Customer Service Department: (860) 928-7787 USA; (1822) 614101 England.

When requesting information or ordering replacement parts; always give the following information:

1. Winch Part Number 1715000
2. Serial Number (found on housing)
3. Part Number (found in Replacement Parts List section)
4. Part Description

Please read and understand this Owner's Manual prior to installing and using your winch. Pay particular attention to the General Safety Information. Your winch is a very powerful machine. If used unsafely or improperly, there is a possibility that property damage or personal injury can result. We have included several features in this winch to minimize this possibility; however, your safety ultimately depends on your caution when using this product.

Throughout this manual, you will find notations with the following headings:

**⚠ DANGER** Indicates an imminently hazardous situation which, if not avoided, will result in death or serious injury.

**⚠ WARNING** Indicates a potentially hazardous situation which, if not avoided, could result in death or serious injury.

**⚠ CAUTION** Indicates a potentially hazardous situation which, if not avoided, may result in minor or moderate injury. This notation is also used to alert against unsafe practices.

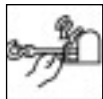
The following symbols on the product and in the Owner's manual are used:



Read Owner's Manual



Always Use Handsaver



Keep clear of winch, wire rope and hook while operating



Never use winch to lift or move people



Never use winch to hold loads in place

**Note:** Indicates additional information in the installation and operation procedures of your winch.

Correct installation of your AC1500 winch is a requirement for proper operation.

**Please Note:** This winch is not designed to be used in industrial or hoisting applications and Superwinch does not warrant it to be suitable for such use. Superwinch manufactures a separate line of winches for industrial/commercial use. Please contact our Customer Service Department for further information.

**Note:** The electrical requirements of the AC1500 winch you have purchased:  
Part Number 1715000 115 Volt 50/60Hz

Congratulations on your choice!

## UNPACKING

This carton contains the following items. Please unpack carefully.  
**Read instructions before beginning.**

Description	Quantity
Winch assembly with wire rope including lead wires	1
Handsaver	1
Mounting hardware kit	1
Owner's manual	1



**CAUTION**

**Risk of electric shock. Do not open. To reduce the risk of electric shock, do not remove cover. No user serviceable parts inside. Refer servicing to qualified service personnel.**

## PERFORMANCE

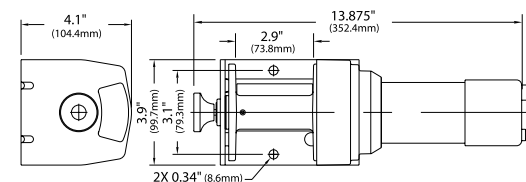
Wire Rope Layer	Max. Pulling Capacity lbs.	Max. Pulling Capacity kg	Load*		Speed		Motor Current
			lbs.	kg	ft/min	m/min	Amps 115V
1	1,500	680	0	0	15.5	4.7	1.2
2	1,250	567	250	113	13.2	4.0	2.7
3	1,150	522	500	227	11.8	3.6	4.3
4	980	445	750	340	10.5	3.2	5.8
5	900	408	1,000	454	9.2	2.8	7.3
			1,250	567	8.1	2.5	8.6
			1,500	680	7.2	2.2	10.0

## SPECIFICATIONS

Working Load*	1500 lbs. (680 kg)
Wire Rope*	3/16" x 35' (4mm x 10.6m)
Voltage	115V, 50/60 hz, single phase
Motor	0.6 hp (0.45 KW)
Gear Ratio	153:1
Duty Cycle	20 secs. ON, 1/2 hr. OFF, full load

\* Based on first layer performance

## DIMENSIONS



## GENERAL SAFETY INFORMATION

Your AC1500 winch is a very powerful machine. Treat it with respect, use it with caution and always follow these safety guidelines.

**⚠ WARNING** *The wire rope may break before the winch stalls. For heavy loads, use a pulley block to reduce the load on the wire rope.*

1. The AC1500 winch is rated at 1,500 pounds (680 kg) (single line) capacity on the wire rope layer closest to the drum. **DO NOT OVERLOAD. DO NOT ATTEMPT PROLONGED PULLS AT HEAVY LOADS.** Do not maintain power to the winch if the motor stalls. Overloads can damage the winch and/or the wire rope and create unsafe operating conditions. **FOR LOADS OVER 750 POUNDS (340 KG), WE RECOMMEND THE USE OF THE OPTIONAL PULLEY BLOCK TO DOUBLE LINE THE WIRE ROPE (Figure 2).** This reduces the load on the winch and the strain on the wire rope by approximately 50%. Do not hook back to winch. Always hook onto structure capable of supporting load.

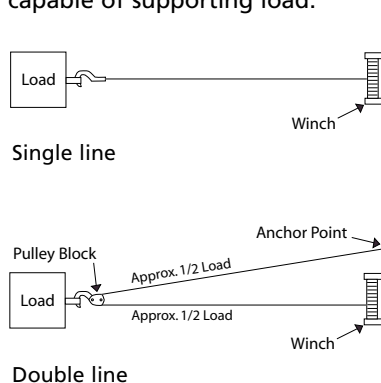


Figure 2

2. AFTER READING AND UNDERSTANDING THIS MANUAL, LEARN TO USE YOUR WINCH.



After installing the winch, practice using it so you will be familiar with it when the need arises.

3. KEEP WINCHING AREA CLEAR. Do not allow people to remain in the area during winching operations. ALWAYS STAND CLEAR OF WIRE ROPE, HOOK AND WINCH. IN THE UNLIKELY EVENT OF ANY COMPONENT FAILURE IT IS BEST TO BE OUT OF HARM'S WAY.

4. INSPECT WIRE ROPE AND EQUIPMENT FREQUENTLY.

**A FRAYED WIRE ROPE WITH BROKEN STRANDS SHOULD BE REPLACED IMMEDIATELY.**

Always replace wire rope with the manufacturer's identical replacement part (see Replacement Parts List). Periodically check the winch installation to ensure that all bolts are tight.

5. USE HEAVY LEATHER GLOVES when handling wire rope. **DO NOT LET WIRE ROPE SLIDE THROUGH YOUR HANDS EVEN WHEN WEARING GLOVES.**

6. NEVER WINCH WITH LESS THAN 5 TURNS of wire rope AROUND THE WINCH DRUM since the wire rope end fastener will NOT withstand a load. ALWAYS USE THE HANDSAVER when guiding the wire rope in or out (see Figure 3).

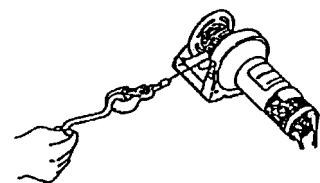


Figure 3

## GENERAL SAFETY INFORMATION (CONT.)

7. KEEP CLEAR OF WINCH, TAUT WIRE ROPE AND HOOK WHEN OPERATING WINCH.

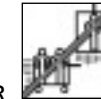
Never put your finger through the hook. If your finger should become trapped in the hook,



**Never guide a wire rope onto the drum with your hand.**

8. NEVER HOOK THE WIRE ROPE BACK ONTO ITSELF because you could damage the wire rope. Use a nylon sling.

9. NEVER USE YOUR WINCH FOR HOISTING APPLICATIONS OR FOR LIFTING OR MOVING PEOPLE.



10. Your winch is not designed or intended for overhead hoisting operations.

11. AVOID CONTINUOUS PULLS FROM EXTREME ANGLES as this will cause the wire rope to pile up at one end of the drum. This can jam the wire rope in the winch, causing damage to the rope or the winch.

12. NEVER OBSCURE THE WARNING INSTRUCTION LABELS.

13. Always operate winch with an unobstructed view of the winching operation.

14. Equipment such as tackle, hooks, pulley blocks, straps, etc. should be sized to the winching task and should be periodically inspected for damage that could reduce their strength.

15. DO NOT OPERATE WINCH WHEN UNDER THE INFLUENCE OF DRUGS, ALCOHOL OR MEDICATION.

16. When moving a load, slowly take up the wire rope slack until it becomes taut. Stop, recheck all winching connections. Be sure the hook is properly seated. If a nylon sling is used, check the attachment to the load.

17. DO NOT USE THE WINCH TO HOLD LOADS IN PLACE.



Use other means of securing loads such as tie down straps. Superwinch offers a wide variety of tie downs. Contact your local Superwinch dealer.

18. USE ONLY FACTORY APPROVED SWITCHES, REMOTE CONTROLS AND ACCESSORIES. Use of non-factory approved components may cause injury or property damage and could void your warranty.

19. DO NOT MACHINE OR WELD ANY PART OF THE WINCH. Such alterations may weaken the structural integrity of the winch and could void your warranty.

20. Never allow shock loads to be applied to winch or wire rope.

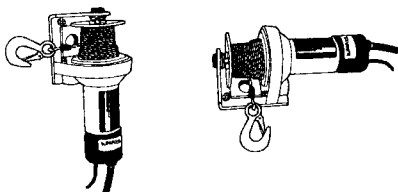
21. Use caution when pulling or lowering a load up and down a ramp or incline. Keep people, pets and property clear of the path of the load.

22. BE SURE that the power supply is disconnected before performing maintenance or repair procedures.

## MOUNTING YOUR WINCH

**⚠ WARNING** *This winch MUST be mounted with the wire rope in the underwind direction. Improper mounting could damage your winch and void your warranty.*

This unit may be mounted in either a horizontal or vertical position, on a wall or other suitable support. In all installations, the unit must be mounted so that the wire rope feeds perpendicular to the drum axis and does not rub across the housing or base.



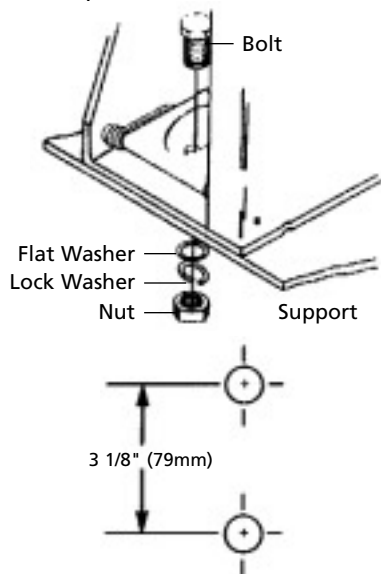
## INSTALLATION

**⚠ WARNING** *DO NOT operate this winch outdoors or in a corrosive or explosive environment.*

### MINIMUM ELECTRICAL REQUIREMENTS

The three-prong plug must be plugged into a 115 Volt, AC grounded outlet equipped with a ground fault interrupter (GFI). Do not plug into an ungrounded outlet by using a three prong adapter. Make sure that the power supply and reversing switch cords are positioned so that the moving load will not damage them. Unplug the winch when not in use. Electrical storms or line surges can cause premature failure of the internal

bridge rectifier. Drill two 11/32" (9mm) diameter holes with centers 3 1/8" (79mm) apart in the support chosen for the winch. Attach the winch to the support with the mounting hardware provided. Tighten the hardware to 35 pound foot torque.



**⚠ WARNING** *Do not substitute any strength grade weaker than ISO grade 5.*

**⚠ CAUTION** *The switch assembly must be kept free of dirt and moisture to ensure safe operation.*

### OPERATION

This unit is activated via the switch at the six foot cord. To remove wire rope from the winch, depress the "Out" button. The load will stop without coasting when the button is released. To pull a load or spool wire rope onto the drum, depress the "In" button. Your winch is designed to pull 1,500 pounds in

single line for 20 seconds "On" time on the wire rope layer closest to the drum. Attempts to pull more than this weight or exceed the duty cycle may cause damage to the winch or wire rope and could cause the circuit breaker to trip, and the winch will not operate. (See "Trouble Shooting".) Maintain a minimum of five wraps of wire rope around the winch drum before attempting any pulls.

### WIRE ROPE

A part of your winch that will require periodic attention and eventual replacement is the wire rope. Inspect the wire rope frequently. If it fraying exists, replace the wire rope at once. Your winch uses galvanized aircraft type 7 x 19 cable. Always replace the wire rope with Superwinch replacement rope, P/N 1511D. Because all rope is subject to wear, it is excluded from our warranty.

The wire rope has been installed on your winch under minimal load at the factory. The wire rope must be respooled onto the drum under load so that the outer layers will not draw down into the inner ones thereby damaging the wire rope.

### TIPS FOR EXTENDING THE LIFE OF YOUR WINCH

1. **KEEP A TIGHTLY WOUND WIRE ROPE DRUM.** Do not allow the wire rope to become loosely wound. A loosely-wound spool allows a wire rope under load to work its way down into the layers of wire rope on the drum. When this happens, the wire rope may become wedged within the body of the windings damaging the wire rope. To prevent this problem, keep the wire rope

tightly and evenly wound on the drum at all times. A good practice is to rewind the wire rope under tension after each use.

2. **DO NOT ALLOW WINCH MOTOR TO OVERHEAT.** Remember, the winch is for intermittent use only. During long or heavy pulls the motor will get hot. At 1,500 lb. (680 kg) allow motor to cool after 20 seconds of "On" time. At loads less than 500 lb. (227 kg) allow to cool after 2 minutes of "On" time.
3. **USE A PULLEY BLOCK FOR HEAVY LOADS.** To maximize winch and wire rope life, use a pulley block to double line heavier loads (Figure 8).



Figure 8

4. The pull required to start a load moving is often much greater than the pull required to keep it moving. **AVOID FREQUENT STOPS AND STARTS** during pull.
5. **PREVENT KINKS BEFORE THEY OCCUR.**
  - a. This is the start of a kink. At this time, the wire rope should be straightened.
  - b. The wire rope was pulled and the loop has tightened to a kink. The wire rope is now permanently damaged and must be replaced.
  - c. Kinking causes the wire strands under the greatest tension to break and thus reduces the load capacity of the wire rope. The wire rope must be replaced.

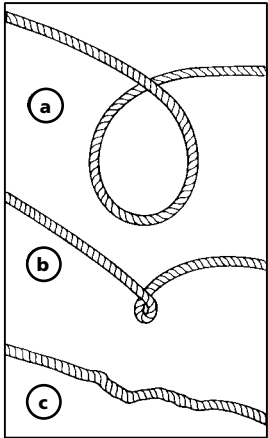


Figure 9

## MAINTENANCE AND REPAIRS

Periodically check tightness of mounting bolts and electrical connections. Remove any dirt or corrosion that may have accumulated on the electrical connections.

**Repair should be done by Authorized Superwinch Repair Centers ONLY. Do not attempt to disassemble the gearbox. Disassembly will void warranty.**

## LUBRICATION

The gearbox and drum bearing are permanently lubricated with a high performance gear lube. If relubrication is necessary (after repair or disassembly) only use Shell Alvenia EP2 or equivalent.

## REPLACING THE WIRE ROPE

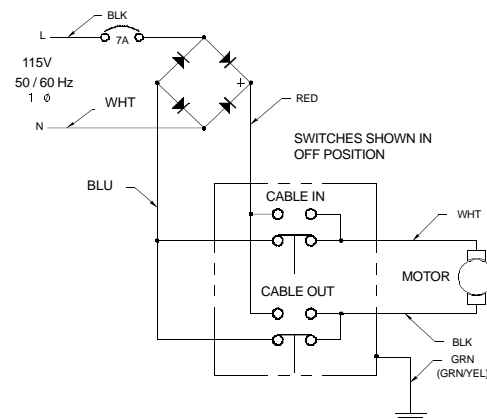
Never substitute a heavier or lighter wire rope. Never use rope made of any other material other than wire.

### Always replace damaged wire rope with manufacturer's identical replacement part

(See Replacement Parts list). Pass attaching end of wire rope through the fairlead (if equipped) and attach it to the drum with the retainer provided with the replacement wire rope.

It is important that the wire rope be wound tightly onto the drum. A good way to do this is to attach the wire rope hook to a load and winch it in.

## ELECTRICAL SCHEMATIC



## TROUBLESHOOTING CHART

If a problem arises, contact your nearest Superwinch dealer or repair center.

Symptom	Possible Cause(s)	Corrective Action
Motor will not operate or runs in one direction only	<ol style="list-style-type: none"> <li>1. Circuit breaker tripped</li> <li>2. Switch inoperative</li> <li>3. Broken wires or bad connection</li> <li>4. Damaged motor</li> </ol>	<ol style="list-style-type: none"> <li>1. Reset Circuit Breaker. If the winch fails to operate, the end of the motor should be checked. If the circuit breaker has tripped, this will be indicated by the center portion of the breaker protruding from the main body. To reset the breaker, merely press the center portion back into the assembly.</li> <li>2. Replace switch</li> <li>3. Check for poor connections.</li> <li>4. Replace or repair motor</li> </ol>
Motor runs extremely hot	<ol style="list-style-type: none"> <li>1. Long period of operation</li> <li>2. Damaged motor</li> </ol>	<ol style="list-style-type: none"> <li>1. Allow to cool</li> <li>2. Replace or repair motor</li> </ol>
Winch will not hold load	<ol style="list-style-type: none"> <li>1. Excessive load</li> </ol>	<ol style="list-style-type: none"> <li>1. Reduce load or double line</li> </ol>

## REPLACEMENT PARTS

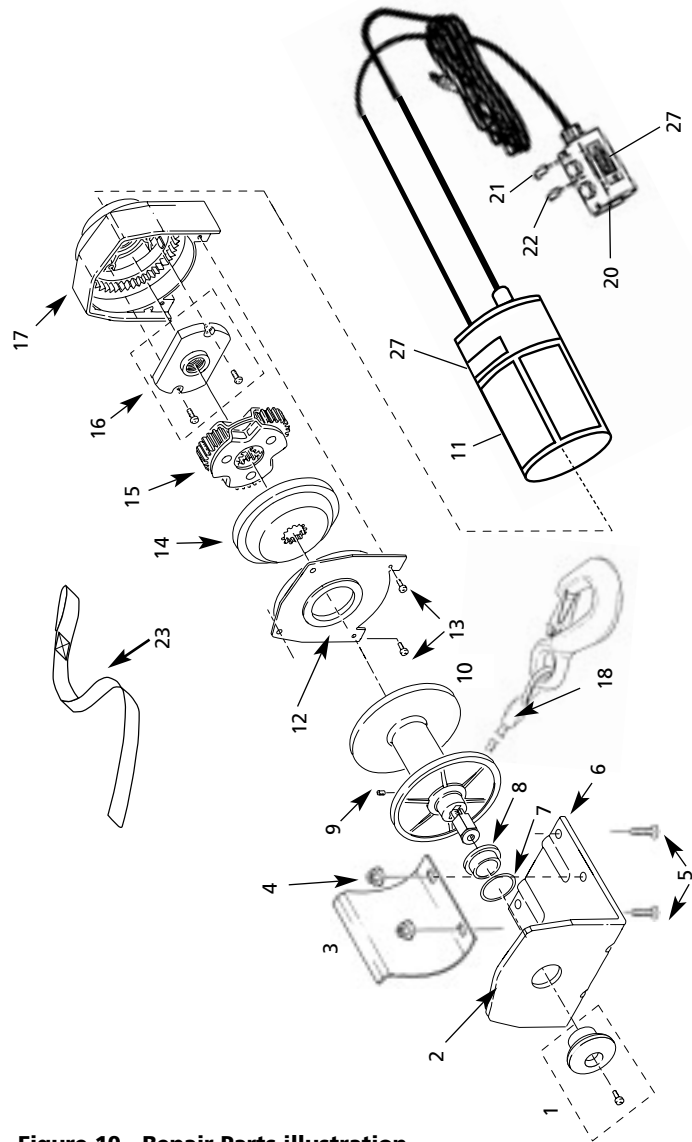


Figure 10 - Repair Parts illustration

## REPLACEMENT PARTS LIST

Reference Number	Description	Part Number	Qty
1	Freewheel Knob Assembly	87-10786	1
2	Label-Instruction-Freewheel	87-10903	1
3	Tension Plate	87-22381	1
4	M5 x 0.8 Hex Flanged Nut	87-23149-05	2
5	Screw, FCHSS M6 x 1 x 16	87-22291-02	2
6	T-Series Baseplate Assembly	87-22394	1
7	.020 Thick Flat Washer	90-23193-03	AR
	.030 Thick Flat Washer	90-23120-05	AR
8	T-Series Bushing	87-10466	1
9	M5 x 0.8 x 6 Set Screw	87-23309-01	1
10	Drum Assembly	87-20371	1
11	115V AC Motor	87-32445	1
12	Drum Support Plate	87-33329	1
13	Screw, STPH M4 x 0.7 x 10	87-23030-14	4
14	T-Series Rotator Gear	87-32443	1
15	T-Series Carrier Assembly	87-20308	1
16	Brake Assembly	87-22541-01	1
17	Stationary Gear Housing Assembly	87-24497-01	1
18	Wire Rope Assembly	1511D	1
20	Switch assembly	90-23127	1
21	Label, Cable-In	90-10517	1
22	Label, Cable-Out	90-10518	1
23	Handsaver, Nylon Cord	87-31120	1
27	Warning Label	90-10516	2
Δ	Motor Pinion Gear	87-22401	1

NA Not Applicable  
 AR As Required  
 Δ Not Shown



**SUPERWINCH****LIMITED WARRANTY****LIMITED WARRANTY**

Superwinch Inc. ("Seller" or "Superwinch") warrants to the original retail buyer only ("Buyer") that all genuine SUPERWINCH products, parts and components except wire rope and accessories ("Products") shall be free of defects in materials and workmanship for a period of ONE (1) year from provable date of purchase of a new Product. Any Product that Superwinch determines to be defective will be repaired or replaced at Superwinch's sole discretion without charge to Buyer upon Buyer's compliance with these procedures. Seller or its Authorized Agent may make reasonable charges for parts and labor for repairs not covered by this Limited Warranty. The warranties set forth herein are exclusive and in lieu of all other warranties, whether oral or written, express or implied.

**LIMITED WARRANTY PROCEDURE**

When contacting Seller, Buyer shall mail, ship or otherwise deliver to Seller at the address noted below or to a Factory Authorized Service Center: (1) the Product; (2) a written description of the problem; (3) Buyer's name, address and telephone number; and (4) a copy of the original sales receipt. Mail, ship or otherwise deliver the Product, required information and copies to Seller, postage or shipping prepaid.

**LIMITATIONS AND EXCLUSIONS**

Repair and/or replacement of the Product is the sole and exclusive remedy for Buyer. This warranty does not apply to defects in any Product caused by: (1) normal wear and tear; (2) failure to comply with any installation, operation or maintenance instructions provided by Superwinch including but not limited to subjecting the Product to loads in excess of the load listed in the Owner's Manual or instructions for the particular Product and model number; (3) commercial or industrial use; (4) alteration or modification by parties other than Superwinch; (5) misuse, abuse, neglect, accident, Acts of God or terrorism; or (6) other causes beyond the control of Superwinch after delivery of the Product by Superwinch to its authorized distributor. If any model or sample was shown to Buyer, such model or sample was used for illustrative purposes only and shall not be construed as a warranty that the Product shall conform to the sample or model.

TO THE FULLEST EXTENT PERMITTED BY APPLICABLE LAW, THE FOLLOWING ARE HEREBY EXCLUDED AND DISCLAIMED:

- (1) All warranties with respect to the wire rope, whether sold alone or used in or incorporated in any Product.
- (2) All warranties with respect to the Product's finish.
- (3) All warranties of fitness for a particular purpose.
- (4) All warranties of merchantability.
- (5) All claims for consequential or incidental damages.

Some states or jurisdictions do not allow limitations or exclusions in consumer transactions, and these limitations or exclusions may not apply to Buyer. The warranty gives Buyer specific legal rights and there may be others. If a warranty is deemed to apply to this Product, it shall exist only for the same period of time set forth in the express limited warranty set forth above. NO agent, dealer, distributor, or employee of Seller is authorized to make

modifications to this warranty, and not such statements, whether oral or written, shall be binding on the Seller.

**INQUIRIES**

Any inquiries regarding compliance with warranties provided herein may be addressed in writing to Superwinch Inc. or to Superwinch, Ltd. at the addresses noted below.

Superwinch, Inc.  
Winch Drive  
Putnam, CT 06260  
U.S.A.  
Tel. (860) 928-7787  
Fax (860) 963-0811

Superwinch, Ltd.  
Abbey Rise, Whitchurch Road  
Tavistock, Devon PL 19 9DR  
England  
Tel. +44 (0) 1822 614101  
Fax +44 (0) 1822 615204

**SUPERWINCH®****MANUAL DEL PROPIETARIO**

INSTALACIÓN • OPERACIÓN • MANTENIMIENTO  
PRECAUCIONES DE SEGURIDAD • PIEZAS DE REPUESTO

**AC1500**  
Cabrestante Eléctrico de 115V CA  
Modelo AC1500  
Nº de Pieza 1715000

**▲ PRECAUCIÓN**

**LEA Y ENTIENDA ESTE MANUAL ANTES  
DE INSTALAR Y OPERAR SU PRODUCTO SUPERWINCH**

Superwinch, Inc.  
Winch Drive  
Putnam, CT 06260  
U.S.A.  
Tel. (860) 928-7787  
Fax (860) 963-0811

Superwinch, Ltd.  
Abbey Rise, Whitchurch Road  
Tavistock, Devon PL 19 9DR  
England  
Tel. +44 (0) 1822 614101  
Fax +44 (0) 1822 615204



## INTRODUCCIÓN

Gracias por comprar un cabrestante AC1500 de Superwinch. Éste ha sido diseñado y fabricado para proporcionarle años de operación sin problemas. Esperamos que esté satisfecho con su rendimiento. Si no lo está, por cualquier motivo, por favor comuníquese con nuestro Departamento de Servicio al Cliente al: (860) 928-7787 en E.U.A.; al (1822) 614101 en Inglaterra.

Cuando pida información o al pedir piezas de repuesto, siempre dé la siguiente información.

1. Número de Pieza del cabrestante 1715000
2. Número de Serie (se encuentra en la carcasa)
3. Número de Pieza (se encuentra en la lista de piezas de este manual)
4. Descripción de la pieza

Por favor lea y entienda este manual del propietario antes de instalar su cabrestante. Ponga particular atención a las reglas de operación y seguridad. Su cabrestante es una máquina muy poderosa. Si se usa sin precaución o inadecuadamente es posible que cause daños a la propiedad o lesiones personales. Hemos incluido varias características únicas en el cabrestante para reducir al mínimo esta posibilidad. No obstante, su seguridad depende en última instancia de su precaución al usar el producto.

En este manual, encontrará notas con los títulos siguientes:

- PELIGRO** Indica una situación de peligro inminente que, de no evitarse, dará como resultado muerte o lesiones graves.
- ADVERTENCIA** Indica una situación de peligro potencial que, de no evitarse, podría dar como resultado muerte o lesiones graves.
- PRECAUCIÓN** Indica una situación de peligro potencial que, de no evitarse, podría dar como resultado lesiones leves o moderadas. Esta nota se utiliza también para alertarle sobre prácticas inseguras.

Se usan los siguientes símbolos en el producto y en el Manual del Propietario:



Leer el Manual del Propietario



Siempre use la barra protectora para manos



Manténgase alejado del cabrestante, el cable de alambre y el gancho durante la operación



Nunca use el cabrestante para levantar o mover personas



Nunca use el cabrestante para sostener cargas

**Nota:** Indica información adicional en los procedimientos de instalación y operación de su cabrestante.

La instalación correcta de cabrestante AC1500 es un requisito para su operación correcta.

**Por favor tome nota:** Este cabrestante no está diseñado para usarse en aplicaciones industriales ni de grúa y el fabricante no garantiza su idoneidad para tales usos. Superwinch fabrica una línea por separado de cabrestantes para uso industrial y comercial. Por favor comuníquese con nuestro Departamento de Servicio al Cliente para mayor información.

Tome nota de los requisitos eléctricos del cabrestante AC1500 que acaba de comprar:  
Número de pieza 1715000 115 Volt 50/60 Hz

¡Felicidades por su elección!

## DISEMPAQUE

Esta caja contiene los siguientes artículos. Por favor desempáquelos cuidadosamente. **Lea las instrucciones antes de comenzar.**

Descripción	Cantidad
Ensamble del cabrestante con cable de alambre incluyendo los conductores	1
Protectora para Manos	1
Herrajes de montaje	1
Manual de Propietario	1

### PRECAUCIÓN

**Riesgo de choque eléctrico. No abrir. Para reducir el riesgo de choque eléctrico no quite la tapa. Adentro no hay piezas a las que el usuario pueda dar mantenimiento. Envíe el producto para servicio al personal calificado de servicio.**

## RENDIMIENTO

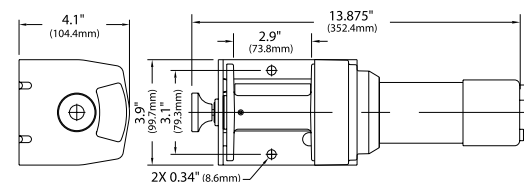
Capa	Capacidad Máxima de Tiro		Corriente del Motor				
	lbs.	kg	Carga del Torno lbs.	kg	Velocidad pies/min	m/min	Amperes 115V
1	1,500	680	0	0	15.5	4.7	1.2
2	1,250	567	250	113	13.2	4.0	2.7
3	1,150	522	500	227	11.8	3.6	4.3
4	980	445	750	340	10.5	3.2	5.8
5	900	408	1,000	454	9.2	2.8	7.3
			1,250	567	8.1	2.5	8.6
			1,500	680	7.2	2.2	10.0

## ESPECIFICACIONES

Carga de trabajo*	1500 lbs. (680 kg)
Cable de alambre*	3/16" x 35' (4 mm x 10.6 m)
Voltaje	115V, 50/60 hz, fase única
Motor	0.6 hp (0.45 KW)
Relación de engranajes	153:1
Ciclo de servicio	20 segundos ENCENDIDO, 1/2 hora APAGADO, carga completa

\* En base al rendimiento de la primera capa

## DIMENSIONES



## INFORMACIÓN DE SEGURIDAD GENERAL

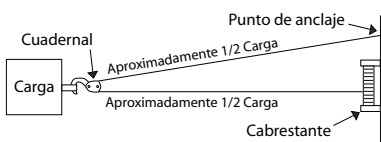
Su cabrestante AC1500 es una máquina muy poderosa. Trátela con respeto, úsela con precaución y siempre siga los lineamientos de seguridad.

**ADVERTENCIA** *El cable de alambre puede romperse antes de que el cabrestante entre en pérdida. Para cargas pesadas, use un bloque de poleas para reducir la carga sobre el cable de alambre.*

1. El AC1500 está clasificado para 680 kg (1,500 lb)(línea sencilla) de capacidad en la capa de cable de alambre más cercana al tambor. NO LO SOBRECARGUE. NO INTENTE TIRAR DE CARGAS GRANDES POR TIEMPO PROLONGADO. No mantenga la corriente al cabrestante si el motor entra en pérdida. Las sobrecargas pueden dañar el cabrestante y/o el cable y crear condiciones inseguras de operación. PARA CARGAS MAYORES DE 340 kg (750 lb.), RECOMENDAMOS EL USO DEL BLOQUE DE POLEAS OPCIONAL PARA DOBLAR LA LÍNEA DE CABLE DE ALAMBRE (Figura 2). Esto reduce la carga sobre el cabrestante y el esfuerzo del cable de alambre en un 50% aproximadamente. No enganche de vuelta al cabrestante. Siempre enganche sobre la estructura capaz de soportar la carga.



Línea Sencilla



Línea Doble

Figura 2

2. DESPUÉS DE LEER Y ENTENDER ESTE MANUAL, APRENDA A USAR SU CABRESTANTE.



Después de instalar el cabrestante, practique usándolo para que esté familiarizado con su operación cuando surja la necesidad de usarlo.

3. MANTENGA DESPEJADA EL ÁREA DE MANIOBRA. No permita que se quede gente en el área de maniobra. MANTÉNGASE SIEMPRE LEJOS DEL CABLE DE ALAMBRE, EL GANCHO Y EL CABRESTANTE. EN EL REMOTO CASO DE FALLA DE CUALQUIER COMPONENTE, ES MEJOR ESTAR LEJOS DEL PELIGRO.

4. INSPECCIONE FRECUENTEMENTE EL CABLE DE ALAMBRE Y EL EQUIPO. UN CABLE DE ALAMBRE DESHILACHADO CON HILOS ROTOS DEBE REEMPLAZARSE INMEDIATAMENTE. Siempre reemplace el cable de alambre con la pieza de repuesto del fabricante idéntica (vea la lista de piezas). Revise periódicamente la instalación del cabrestante para asegurarse de que los tornillos estén firmes.

5. USE GUANTES DE CUERO PESADO cuando maneje el cable de alambre. NO DEJE QUE EL CABLE DE ALAMBRE SE DESLICE EN SUS MANOS.

6. NUNCA USE EL CABRESTANTE CON MENOS DE 5 VUELTAS de cable de alambre EN EL TAMBOR DEL CABRESTANTE, ya que es posible que el cable de alambre y su sujeción NO resistan la carga completa. SIEMPRE USE LE PROTECTORA PARA MANOS cuando guíe el cable de alambre hacia adentro o hacia afuera (Vea la Fig. 3).

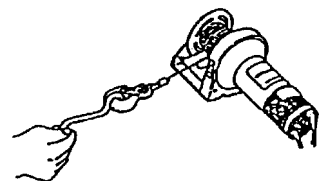


Figura 3

## INFORMACIÓN DE SEGURIDAD GENERAL CONTINÚA

7. MANTÉNGASE ALEJADO DEL CABRESTANTE, CABLE DE ALAMBRE TENSO Y DEL GANCHO CUANDO ESTÉ OPERANDO EL CABRESTANTE. Nunca atravesie el gancho con los dedos. Si su dedo queda atrapado en el gancho, podría perder el dedo. **Nunca guíe hacia el tambor el cable de alambre con la mano.**

8. NUNCA ENGANCHE EL CABLE DE ALAMBRE SOBRE SÍ MISMO porque podría dañar el cable de alambre. Use una eslinga de nilón.

9. NUNCA USE SU CABRESTANTE PARA APLICACIONES DE ELEVACIÓN O PARA LEVANTAR O MOVER PERSONAS.

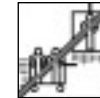
10. Su cabrestante no está diseñado ni pensado para operaciones de izado por encima.

11. EVITE TIRAR CONTINUAMENTE DESDE ÁNGULOS EXTREMOS, ya que esto causará que el cable de alambre se apile en un extremo del tambor. Esto puede atorar el cable de alambre en el cabrestante dañando tanto el cable de alambre como el cabrestante.

12. NUNCA TAPE LAS ETIQUETAS DE ADVERTENCIA NI DE INSTRUCCIONES.

13. Siempre opere el cabrestante con una vista sin obstrucciones de la operación del cabrestante.

14. Los equipos como aparejos, ganchos, bloques de poleas, cintas, etc., deben ser de la capacidad y tamaño de la tarea de levantamiento y debe inspeccionar periódicamente que no tengan daños que puedan reducir su resistencia.



15. NO OPERE EL CABRESTANTE CUANDO ESTÉ BAJO LA INFLUENCIA DE DROGAS, ALCOHOL O MEDICAMENTOS.

16. Cuando mueva una carga, recoja lentamente el exceso de cable de alambre con cuidado hasta que el cable de alambre esté tenso. Deténgase, vuelva a verificar todas las conexiones de levantado. Asegúrese de que el gancho esté bien asentado. Si se usa una eslinga de nilón, revise la sujeción a la carga.

17. NO USE EL CABRESTANTE PARA RETENER CARGAS EN UN SÓLO SITIO. Use otros medios para asegurar cargas, como tirantes para atar. Superwinch ofrece una amplia variedad de tirantes. Comuníquese con su distribuidor local Superwinch.

18. USE SOLAMENTE LOS INTERRUPTORES, CONTROLES REMOTOS O ACCESORIOS APROBADOS POR EL FABRICANTE. El uso de componentes no aprobados por el fabricante puede causar lesiones, daños a la propiedad y puede anular su garantía.

19. NO MAQUINE NI SUELDE NINGUNA PIEZA DEL CABRESTANTE. Tales alteraciones pueden debilitar la integridad estructural del cabrestante y pueden anular la garantía.

20. Nunca permita que se apliquen cargas de choque al cabrestante o al cable de alambre.

21. Tenga precaución cuando tire de una carga o la baje por una rampa o pendiente. Mantenga a la gente, mascotas y bienes lejos del camino de la carga.

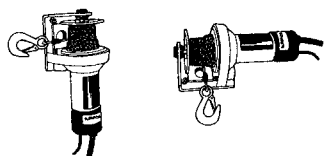
22. ASEGÚRESE que la fuente de energía está desconectada antes de realizar procedimientos de mantenimiento o reparación.



## MONTAJE DE SU CABRESTANTE

**ADVERTENCIA** Este cabrestante **DEBE ser montado con el cable en la posición inferior. Su montaje incorrecto puede dañar su cabrestante y anular la garantía.**

Esta unidad puede montarse horizontal o verticalmente, en una pared u otro soporte idóneo. En todas las instalaciones, el cabrestante debe estar montado de manera que el cable de alambre entre perpendicular al eje del tambor y que no roce la carcasa ni la base.



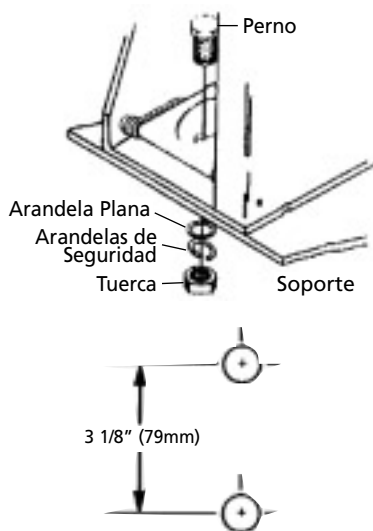
## INSTALACIÓN

**ADVERTENCIA** **NO opere este cabrestante en exteriores, en un ambiente corrosivo o explosivo.**

### REQUISITOS ELÉCTRICOS MÍNIMOS

El enchufe de tres patas debe conectarse a un tomacorriente de 115 voltios CA con conexión a tierra provisto de un interruptor contra fallas con conexión a tierra. No enchufe a un tomacorriente que no tenga conexión a tierra al usar un adaptador de tres patas. Asegúrese que la fuente de alimentación y los cables del interruptor de inversión se coloquen de manera que la carga móvil no los dañe. Desconecte la clavija cuando no se use. Las tormentas eléctricas o los picos de línea pueden causar fallas prematuras en el rectificador de puente interno. Perfore dos agujeros de 11/32" (9 mm) de diámetro con centros a 3 1/8" (79 mm) aparte en el soporte elegido para el cabrestante. Conecte el cabrestante al

soporte con los accesorios de montaje proporcionados. Apriete los accesorios a un par de torsión de 35 libras/pies (47 N•m).



**ADVERTENCIA** **No sustituya por ningún grado de fuerza menor a iso grado 5.**

**PRECAUCIÓN** **El conjunto del interruptor debe mantenerse libre de basura y humedad para garantizar una operación segura.**

### OPERACIÓN

Esta unidad es activada por medio del interruptor del cable de 1.8 metros (seis pies). Para sacar cable de alambre del cabrestante, oprima el botón «Fuera». Las cargas se detendrá sin resbalar cuando suelte el botón. Para tirar de una carga o enrollar cable de alambre en el tambor, oprima el botón «Dentro». Su cabrestante está diseñado para tirar de 680 kilogramos (1500 lb) en una línea sencilla por 20 segundos de tiempo de funcionamiento en la capa de cable de alambre más cercana al tambor. Si trata de tirar cargas mayores o exceder el ciclo de

servicio, puede dañar el cabrestante o el cable de alambre y causar que se dispare el cortacircuitos y ya no funcionará el cabrestante. (vea Búsqueda de Soluciones) Mantenga un mínimo de cinco vueltas de cable de alambre alrededor del tambor del cabrestante antes de intentar cualquier tiro.

### CABLE DE ALAMBRE

Una parte de su cabrestante que requerirá atención periódica y reemplazo eventual es el cable de alambre. Inspeccione frecuentemente el cable de alambre. Si existe deshilachamiento, reemplace inmediatamente el cable de alambre. Su cabrestante utiliza cable galvanizado 7 x 19 tipo aviación. Siempre reemplace el cable de alambre con cable de repuesto P/N 1511D de Superwinch. Ya que el cable está expuesto a desgaste, éste está excluido de nuestra garantía.

El cable de alambre ha sido instalado en su cabrestante bajo mínima carga en la fábrica. El cable de alambre debe ser re-enrollado bajo carga sobre el tambor de manera que las capas exteriores no se insertarán en las capas interiores dañando de este modo el cable de alambre.

### CONSEJOS PARA ALARGAR LA VIDA DE SU CABRESTANTE

1. MANTENGA EL CABLE DE ALAMBRE ARROLLADO FIRMEMENTE EN EL TAMBOR. No permita que se suelte el cable de alambre. Un carrete arrollado flojamente permite que el cable de alambre tenso baje por las capas de cable de alambre del tambor. Cuando esto sucede, el cable de alambre puede deformarse como cuña dentro del cuerpo del enrollado dañándose. Para evitar este problema, mantenga el cable enrollado firme y uniformemente en todo momento. Una buena práctica es enrollarlo bajo tensión después de cada uso.

2. NO PERMITA QUE SE SOBRECALIENTE EL MOTOR DEL CABRESTANTE. Recuerde, el cabrestante es solamente para uso intermitente. Durante tiros largos o pesados, se calentará el motor y la caja de engranes. Con cargas de 680 kg (1,500 lb) deje que se enfríe el motor después de 20 segundos de una vez. Con cargas menores de 227 kg (500 lb), permita que se enfríe tras de 2 minutos de tiempo.
3. USE UN BLOQUE DE POLEAS PARA CARGAS PESADAS. Para maximizar la vida del cabrestante y la vida del cable de alambre, use un bloque de poleas para doblar la línea para cargas más pesadas (Fig. 8).



Figura 8

4. El tirón requerido para comenzar a mover una carga a menudo es mayor que el que se requiere para mantenerla en movimiento. EVITE PARADAS Y COMIENZOS FRECUENTES durante el tiro.
5. EVITE TORCEDURAS ANTES DE QUE OCURRAN (Vea la Figura 9).
  - a. Este es el comienzo de una retorcedura. En este momento debe enderezarse el cable de alambre.
  - b. Se ha tirado del cable de alambre y el rizo se ha apretado a una retorcedura. Ahora el cable de alambre ya está dañado permanentemente y debe ser reemplazado.
  - c. Los retorcimientos hacen que se rompan los hilos de alambre bajo tensión y reduciendo así la capacidad de carga del cable de alambre. El cable de alambre debe ser reemplazado.

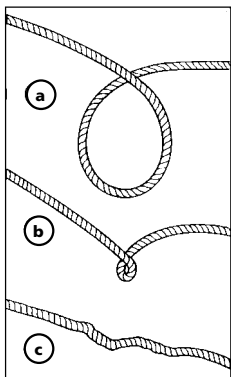


Figure 9

## MANTENIMIENTO Y REPARACION

Revise periódicamente la firmeza de todos los tornillos de montaje y las conexiones eléctricas. Quite toda la basura o corrosión que se haya acumulado en las conexiones eléctricas.

**Las reparaciones debe hacerlas SOLAMENTE un Centro de Reparación Superwinch. No trate de desarmar la caja de engranes. Desarmar el cabrestante anulará la garantía.**

### LUBRICACIÓN

Los rodamientos de la caja de engranes y del tambor están lubricados con un lubricante de alto rendimiento. Si se requiere lubricación (después de una reparación o desensamblado), use solamente Shell Alvenia EP2 o equivalente.

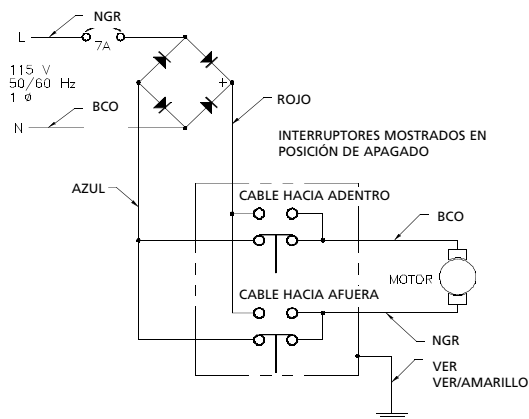
### REEMPLAZO DEL CABLE DE ALAMBRE

Nunca sustituya por un cable de mayor o menor capacidad. Nunca use otro cable hecho de ningún otro material que no sea alambre.

**Siempre reemplace el cable de alambre con la pieza de refacción del fabricante idéntica** (Vea la lista de piezas). Pase el extremo de sujeción del cable de alambre por la guía de entrada (si está equipado con ella) y sujételo al tambor. Al insertar el cable de alambre al tambor, inserte el extremo correcto al orificio del tambor.

Es importante que el cable de alambre esté firmemente arrollado al tambor. Una buena manera de hacer esto es sujetar el gancho del cable de alambre a una carga y arrollarlo.

## DIAGRAMA ELÉCTRICO

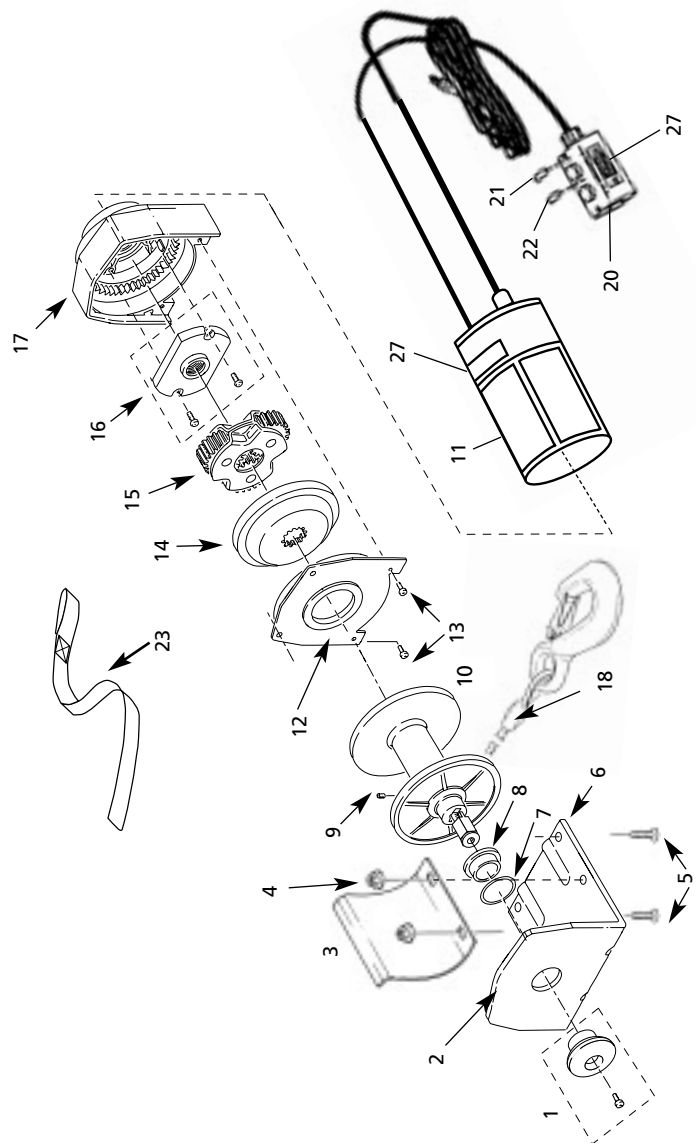


## TABLA DE IDENTIFICACIÓN DE PROBLEMAS

Si surge algún problema, comuníquese con su distribuidor Superwinch o centro de reparación más cercano.

Condición	Causa Probable	Corrección
El motor no funciona o funciona solamente en una dirección	<ol style="list-style-type: none"> <li>1. Cortacircuitos disparado</li> <li>2. Interruptor descompuesto</li> <li>3. Cables rotos o malas conexiones</li> <li>4. Motor dañado</li> </ol>	<ol style="list-style-type: none"> <li>1. Reponga el cortacircuitos. Si el Superwinch no funciona, debe revisarse el extremo del motor. Si el cortacircuitos se ha disparado, lo indicará el centro del cortacircuitos sobresaliendo del cuerpo principal. Para reponer el cortacircuitos, tan solo oprima la porción central hacia el conjunto.</li> <li>2. Reemplace el interruptor.</li> <li>3. Revise que no haya malos contactos;</li> <li>4. Repare o reemplace el motor.</li> </ol>
El motor se calienta excesivamente	<ol style="list-style-type: none"> <li>1. Período de operación muy largo</li> <li>2. Motor dañado</li> </ol>	<ol style="list-style-type: none"> <li>1. Deje que se enfríe.</li> <li>2. Repare o reemplace el motor</li> </ol>
No retiene una carga	<ol style="list-style-type: none"> <li>1. Carga excesiva</li> </ol>	<ol style="list-style-type: none"> <li>1. Reduzca la carga o doble la línea.</li> </ol>

## CONJUNTO DEL CABRESTANTE



## LISTA DE PARTES DE REPUESTO

Número de Referencia	Descripción	Número de Parte	Cantidad
1	Conjunto de la perilla de rueda libre	87-10786	1
2	Etiqueta de instrucciones de rueda libre	87-10903	1
3	Placa de tensión	87-22381	1
4	Tuerca hexagonal con brida, M5 x 0.8	87-23149-05	2
5	Tornillo, FCHSS M6 x 1 x 16	87-22291-02	2
6	Conjunto de la placa base, Serie T	87-22394	1
7	Arandela plana, .020 de espesor	90-23193-03	AR
	Arandela plana, .030 de espesor	90-23120-05	AR
8	Cojinete Serie T	87-10466	1
9	Tornillo de ajuste M5 x 0.8 x 6	87-23309-01	1
10	Conjunto del tambor	87-20371	1
11	Motor de 115V CA	87-32445	1
12	Placa de soporte del tambor	87-33329	1
13	Tornillo STPH, M4 x 0.7 x 10	87-23030-14	4
14	Engranaje giratorio, Serie T	87-32443	1
15	Conjunto de transporte, Serie T	87-20308	1
16	Conjunto del freno	87-22541-01	1
17	Conjunto de la carcasa de engranaje estacionario	87-24497-01	1
18	Conjunto del cable de alambre	1511D	1
20	Conjunto del interruptor	90-23127	1
21	Etiqueta, Cable hacia adentro	90-10517	1
22	Etiqueta, Cable hacia afuera	90-10518	1
23	Protectora para manos, cuerda de nylon	87-31120	1
27	Etiqueta de advertencia	90-10516	2
Δ	Engranaje del piñón del motor	87-22401	1

NA No se aplica  
 AR Según se requiera  
 Δ No se muestra



**SUPERWINCH****GARANTÍA LIMITADA****GARANTÍA LIMITADA**

Superwinch Inc. ("Vendedor" ó "Superwinch") le garantiza únicamente al comprador minorista original ("Comprador") que todos los productos, partes y componentes originales Superwinch excepto el cable de alambre y los accesorios ("Productos") estarán libres de defectos en materiales y mano de obra, durante un período de UN (1) año a partir de la fecha de compra demostrable de un Producto nuevo. Cualquier producto que Superwinch determine como defectuoso será reparado o reemplazado a criterio de Superwinch sin cargo para el Comprador una vez que el Comprador haya cumplido con estos procedimientos. El Vendedor o su Agente Autorizado pueden cobrar cargos razonables por las partes y los trabajos de reparación que no están cubiertos por esta Garantía Limitada. Las garantías establecidas en la presente son exclusivas y sustituyen toda otra garantía, ya sea oral o escrita, expresa o implícita.

**PROCEDIMIENTO DE APLICACIÓN DE LA GARANTÍA LIMITADA**

Cuando contacte al Vendedor, el Comprador deberá enviar: (1) el Producto; (2) una descripción escrita del problema; (3) el nombre, dirección y número telefónico del Comprador; y (4) una copia del recibo de venta original por correo, transporte o alguna otra forma de entrega al Vendedor a la dirección anotada debajo o al Centro de Servicio Autorizado por la Fábrica. Enviar por correo, transporte o entregar de otra forma el Producto, la información requerida y las copias al Vendedor, con el porte o el flete pre-pagado.

**LIMITACIONES Y EXCLUSIONES**

La reparación y/o el reemplazo del Producto es la única y exclusiva solución para el Comprador. Esta garantía no se aplica a los defectos causados en cualquier Producto por: (1) desgaste natural; (2) incumplimiento de alguna de las instrucciones de instalación, operación o mantenimiento provistas por Superwinch que incluyen pero no se limitan a someter al Producto a una carga superior a la listada en el Manual del Propietario o las instrucciones para un Producto y número de modelo en particular; (3) uso comercial o industrial; (4) alteración o modificación por terceros que no son Superwinch; (5) mal uso, abuso, negligencia, accidente, casos fortuitos o terrorismo; o (6) otras causas que escapan al control de Superwinch después de que Superwinch o su distribuidor autorizado hayan entregado el Producto. Si se le mostró al Comprador algún modelo o muestra, tal modelo o muestra fue utilizado sólo con propósitos ilustrativos y no se lo deberá interpretar como garantía de que el Producto se ajuste a la muestra o el modelo.

EN LA MÁXIMA MEDIDA PERMITIDA POR LA LEY APLICABLE, LO QUE SE DESCRIBE A CONTINUACIÓN QUEDA EXCLUIDO Y EXENTO:

- (1) Todas las garantías correspondientes con respecto al cable de alambre, ya sea que se lo venda por separado o utilizado o incorporado a algún Producto.
- (2) Todas las garantías con respecto al acabado del Producto.
- (3) Todas las garantías de adaptabilidad para un propósito particular.
- (4) Todas las garantías de comerciabilidad.
- (5) Todos los reclamos por daños fortuitos o imprevistos.

Algunos estados o jurisdicciones no permiten las limitaciones o exclusiones en las transacciones con consumidores y estas limitaciones o exclusiones pueden no aplicarse al Comprador. La garantía le da al Comprador derechos legales específicos y puede haber otros. Si se considera que una garantía es aplicable a este Producto, existirá sólo para el mismo período indicado en la garantía limitada expresa estipulada arriba. NINGÚN agente, vendedor, distribuidor, o empleado del Vendedor está autorizado a hacer modificaciones a esta garantía y ninguna declaración en tal sentido, ni oral ni escrita, obligará al Vendedor.

**AVERIGUACIONES**

Cualquier averiguación referente al cumplimiento de las garantías aquí provistas se puede dirigir por escrito a Superwinch Inc. o a Superwinch, Ltd. a las direcciones indicadas debajo.

Superwinch, Inc.  
Winch Drive  
Putnam, CT 06260  
U.S.A.  
Tel. (860) 928-7787  
Fax (860) 963-0811

Superwinch, Ltd.  
Abbey Rise, Whitchurch Road  
Tavistock, Devon PL 19 9DR  
England  
Tel. +44 (0) 1822 614101  
Fax +44 (0) 1822 615204

**SUPERWINCH®****MODE D'EMPLOI**

INSTALLATION • FONCTIONNEMENT • ENTRETIEN  
PRÉCAUTIONS DE SÉCURITÉ • PIÈCES DE RÉPARATION

**AC1500**  
Treuil électrique CA de 115 V  
Modèle AC1500  
No de pièce 1715000

**▲ ATTENTION**

**LISEZ ET COMPRENEZ CE MODE D'EMPLOI AVANT D'INSTALLER  
ET DE FAIRE FONCTIONNER VOTRE PRODUIT SUPERWINCH**

Superwinch, Inc.  
Winch Drive  
Putnam, CT 06260  
U.S.A.  
Tel. (860) 928-7787  
Fax (860) 963-0811

Superwinch, Ltd.  
Abbey Rise, Whitchurch Road  
Tavistock, Devon PL 19 9DR  
England  
Tel. +44 (0) 1822 614101  
Fax +44 (0) 1822 615204

## INTRODUCTION

Merci pour votre achat de ce treuil AC1500 de Superwinch. Il a été conçu et fabriqué de manière à vous procurer de longues années de fonctionnement sans problème. Nous espérons que vous serez satisfait de sa performance. Si vous ne l'êtes pas, pour quelque raison que ce soit, veuillez contacter le Service Clientèle à : (860) 928-7787 USA; (1822) 614101 England.

Lorsque vous demandez des renseignements ou lorsque vous passez commande pour des pièces de rechange, donnez toujours les renseignements suivants

1. Le numéro de modèle du treuil 1715000
2. Le numéro de série (que vous trouverez sur le carter)
3. Le numéro de pièce (qui figure à la section Liste de pièces de ce mode d'emploi)
4. La description de la pièce

Veuillez lire et comprendre ce Mode d'emploi avant d'installer votre treuil. Faites particulièrement attention aux règles de fonctionnement et de sécurité. Votre treuil est une machine très puissante. En cas d'utilisation incorrecte ou dangereuse, des dommages physiques ou corporels pourraient s'ensuivre. Nous avons incorporé plusieurs caractéristiques uniques au treuil W115 destinées à minimaliser cette possibilité; mais, en fin de compte, votre sécurité dépend des précautions que vous prenez lors de l'utilisation de ce produit.

Dans tout ce manuel, vous trouverez des notations comportant les titres suivants :

### **⚠ DANGER**

Indique une situation dangereuse imminente qui, si elle n'est pas évitée, entraînera la mort ou des blessures graves.

### **⚠ AVERTISSEMENT**

Indique une situation potentiellement dangereuse qui, si elle n'est pas évitée, entraînera la mort ou des blessures graves.

### **⚠ ATTENTION**

Indique une situation potentiellement dangereuse qui, si elle n'est pas évitée, peut entraîner des blessures légères ou moyennes. Cette notation est également utilisée pour alerter contre les pratiques non sécuritaires.

Les symboles suivants sont utilisés sur le produit et dans le manuel de l'opérateur :



Lisez le manuel de l'opérateur



Toujours utiliser la barre protège-mains



Restez éloigné du treuil, du câble et du crochet durant le fonctionnement



N'utilisez jamais le treuil pour lever ou déplacer des personnes



Ne jamais utiliser le treuil pour retenir des charges en place

**Note :** Indique des renseignements supplémentaires pour l'installation et les procédures de fonctionnement de votre treuil.

Une installation correcte de votre AC1500 est requise pour un fonctionnement correct.

**NOTE :** Ce treuil n'est pas conçu pour des applications industrielles ou de levage et Superwinch ne garantit pas son aptitude à une telle utilisation. Superwinch fabrique une gamme distincte de treuils destinés à emploi industriel ou commercial. Veuillez contacter le Département de Service Clientèle pour de plus amples informations.

Notez les exigences électriques du treuil AC1500 que vous avez acheté.  
Pièces de rechange numéros 1715000 115 Volts 50/60 Hz.

Félicitations sur votre choix !

## DÉBALLAGE DU CARTON

Ce carton contient les articles suivants. Veuillez les déballer avec précaution et lire les instructions avant de commencer.

Description	Quantité
Assemblage du treuil avec câble métallique y compris les fils conducteurs	1
Protège-mains	1
Kit de visserie pour le montage	1
Mode d'emploi	1

### **⚠ ATTENTION**

**Risque de choc électrique. Ne pas ouvrir. Pour réduire le risque de choc électrique, ne pas retirer le couvercle aucune pièce réparable à l'intérieur. Contacter le personnel qualifié pour réparations.**

## RENDEMENT

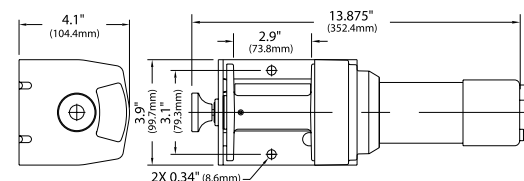
Couche	Capacité de traction maximale		Charge du Treuil		Vitesse		Moteur
	livres	kg	livres	kg	pi/min	m/min	Courant (ampères) 115V
1	1,500	680	0	0	15.5	4.7	1.2
2	1,250	567	250	113	13.2	4.0	2.7
3	1,150	522	500	227	11.8	3.6	4.3
4	980	445	750	340	10.5	3.2	5.8
5	900	408	1,000	454	9.2	2.8	7.3
			1,250	567	8.1	2.5	8.6
			1,500	680	7.2	2.2	10.0

## SPECIFICATIONS

Charge de travail*	1 500 lb (680 kg)
Câble métallique*	3/16 po x 35 pi (4 mm x 10,6 m)
Tension	115 V, 50/60 hz, monophasée
Moteur	0,6 hp (0,45 KW)
Rapport d'engrenage	153:1
Cycle de service	20 secondes MARCHE, 1/2 h ARRÊT, pleine charge

\* Basé sur le rendement de la première

## DIMENSIONS





## INFORMATIONS GÉNÉRALES DE SÉCURITÉ

Votre treuil AC1500 est une machine très puissante. Traitez-le avec respect, utilisez-le avec pré-caution, et respectez toujours les directives de sécurité.

**AVERTISSEMENT** *Le câble métallique peut briser avant que le moteur ne cale. Pour les charges lourdes, utilisez un palan pour réduire la charge sur le câble métallique.*

1. La capacité nominale du AC1500 sur la couche du câble situé le plus près du tambour est de 680 kilos (1 500 livres) (pour câble unique). NE SURCHARGEZ PAS. N'ESSAYEZ PAS DE TRACTIONS PROLONGÉES SOUS CHARGE LOURDE. Ne maintenez pas de tension électrique sur le treuil si le moteur cale. Les surcharges peuvent endommager le treuil et/ou le câble métallique et créer des conditions de fonctionnement dangereuses. POUR LES CHARGES DE PLUS DE 340 KILOS (750 livres), NOUS CONSEILLONS L'UTILISATION DU PALAN EN OPTION POUR OBTENIR UNE DOUBLE LIGNE DE CÂBLE MÉTALLIQUE (Figure 2). Ceci réduit d'environ 50% la charge appliquée au treuil et la tension sur le câble métallique. Ne raccrochez pas au treuil. Accrochez toujours sur une structure pouvant supporter la charge.

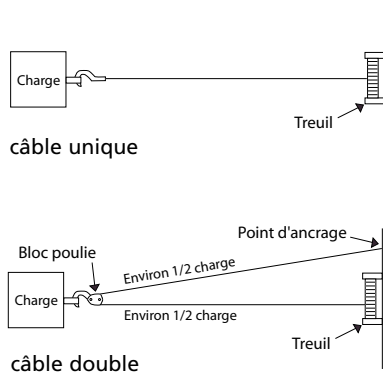


Figure 2

2. APRÈS AVOIR LU ET COMPRIS CE MODE D'EMPLOI, APPRENEZ À UTILISER VOTRE TREUIL. Après l'installation du treuil, exercez-vous pour vous familiariser avec le fonctionnement du treuil au cas où vous en auriez besoin.



3. GARDEZ LA ZONE DE TREUILLAGE BIEN DÉGAGÉE. Interdisez toujours aux gens de rester dans la zone de treuillage pendant l'opération du treuil. TENEZ-VOUS TOUJOURS À L'ÉCART DU CÂBLE, DU CROCHET ET DU TREUIL. DANS LE CAS PEU PROBABLE D'UNE RUPTURE DE COMPOSANT, IL VAUT MIEUX ÊTRE HORS PORTÉE DU DANGER.
4. INSPECTEZ FRÉQUEMMENT LE CÂBLE MÉTALLIQUE ET LE MATÉRIEL. REMPLACEZ IMMÉDIATEMENT TOUT FIL EFFILOCHÉ AVEC DES TORONS CASSÉS. Remplacez toujours le câble métallique par une pièce détachée identique en provenance du fabricant (voir la liste de pièces). Vérifiez périodiquement l'installation du treuil pour vous assurer que tous les boulons sont bien serrés.
5. PORTEZ DES GANTS DE CUIR ÉPAIS lorsque vous travaillez avec le câble métallique. NE LAISSEZ PAS LE CÂBLE GLISSER ENTRE VOS MAINS, MÊME LORSQUE VOUS PORTEZ DES GANTS.
6. NE TREUILLEZ JAMAIS AVEC MOINS DE 5 TOURS de câble métallique EMBOBINÉS SUR LE TAMBOUR, car l'attache se trouvant à l'extrémité du câble métallique NE supportera PAS la charge. UTILISEZ TOUJOURS LE PROTÈGE-MAIN pour guider l'enroulement ou le déroulement du câble (voir la figure 3).

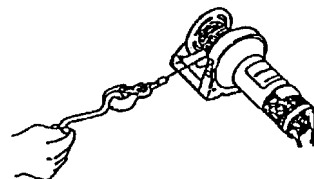


Figure 3

## INFORMATIONS GÉNÉRALES DE SÉCURITÉ SUITE

7. LORSQUE VOUS VOUS SERVEZ DU TREUIL, ÉLOIGNEZ-VOUS DU TREUIL, DU CÂBLE TENDU ET DU CROCHET. Ne placez jamais vos doigts dans le crochet. Vous pourriez perdre votre doigt au cas où il serait pris dans le crochet. **Ne guidez jamais le câble avec votre main pour le placer sur le tambour.**
8. N'ACCROCHEZ JAMAIS LE CÂBLE SUR LUI-MÊME car vous pourriez l'endommager. Utilisez une élingue en nylon.
9. N'UTILISEZ JAMAIS VOTRE TREUIL POUR LES APPLICATIONS DE LEVAGE OU POUR SOULEVER OU DÉPLACER LES PERSONNES.
10. Votre treuil n'est pas conçu ou destiné à des opérations d'élévation verticale.
11. ÉVITEZ LES TREUILLAGES CONTINUS EFFECTUÉS À DES ANGLES EXTRÊMES car ils enrôleront le câble sur un côté du tambour. Ceci peut coincer le câble dans le treuil et endommager le câble ou le treuil.
12. NE COUVREZ JAMAIS LES ÉTIQUETTES D'AVERTISSEMENT SUR LES CONSIGNES.
13. Ayez toujours une vue dégagée de l'opération de treuillage lorsque vous faites fonctionner votre treuil.
14. Tout équipement tel qu'appareillage, crochets, palans, lanières, etc. devrait être dimensionné pour la tâche que doit effectuer le treuil et devrait être inspecté de temps à autre pour détecter tout dommage qui pourrait réduire sa force.
15. N'OPÉREZ PAS LE TREUIL LORSQUE VOUS ÊTES SOUS L'INFLUENCE DE



DROGUES, D'ALCOOL OU DE MÉDICAMENTS.

16. Lorsque vous déplacez une charge, réduisez progressivement le jeu du câble de manière à ce qu'il se tende. Arrêtez, revérifiez toutes les connexions du treuil. Assurez-vous que le crochet est correctement situé. Si vous utilisez une élingue en nylon, vérifiez son attachement à la charge.
17. N'UTILISEZ PAS LE TREUIL POUR MAINTENIR LES CHARGES EN PLACE. Utilisez d'autres moyens tels que des lanières de retenue pour maintenir les charges. Superwinch offre une large gamme de lanières de retenue. Contactez votre distributeur local Superwinch.
18. UTILISEZ UNIQUEMENT COMMUTATEURS, TÉLÉCOMMANDES ET ACCESSOIRES APPROUVÉS PAR LE FABRICANT. L'utilisation de composants non approuvés par le fabricant pourrait provoquer des blessures ou des dommages physiques et pourrait annuler votre garantie.
19. N'USINEZ PAS ET NE SOUDEZ PAS DE PIÈCES DU TREUIL. De telles altérations peuvent affaiblir l'intégrité structurelle du treuil et pourraient annuler votre garantie.
20. Ne permettez jamais des à-coups de charge sur le câble ou sur le treuil.
21. Soyez prudent lorsque vous faites monter ou descendre une charge sur une pente ou une rampe. Assurez-vous qu'il n'y ait ni animaux ni personnes ni biens personnels sur le chemin de la charge.
22. VÉRIFIEZ que l'alimentation est coupée avant d'entretenir ou de réparer.

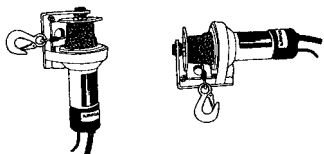


## MONTAGE DE VOTRE TREUIL

### ⚠ AVERTISSEMENT *Le montage du treuil*

**DOIT être fait de telle manière que le déroulement du câble s'effectue par le dessous du tambour. Une installation incorrecte pourrait endommager votre treuil et annuler votre garantie.**

Cet appareil peut être monté en position verticale ou horizontale, sur un mur ou sur tout autre support adéquat. Dans toutes les installations, l'appareil doit être monté de telle manière que l'alimentation du câble soit perpendiculaire à l'axe du tambour et que le câble ne frotte ni le carter ni la base du treuil.



## INSTALLATION

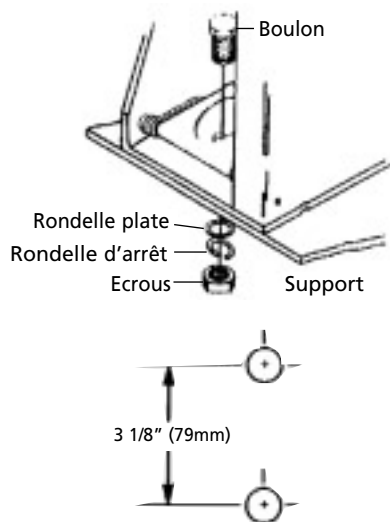
### ⚠ AVERTISSEMENT *NE faites PAS*

**fonctionner ce treuil à l'extérieur ou dans un milieu corrosif ou explosif.**

### EXIGENCES ÉLECTRIQUES MINIMALES

La fiche à trois broches doit être branchée dans une prise de courant de 115 volts, de c.a. mise à la terre dotée d'un disjoncteur de fuite à la terre. Ne branchez pas dans une prise qui n'est pas mise à la terre en utilisant un adaptateur à trois broches. Assurez-vous que les cordons d'alimentation de courant et l'inverseur sont placés pour que la charge en déplacement ne les endommage pas. Débranchez le treuil lorsque vous ne l'utilisez pas. Les tempêtes électriques ou les pointes de tension peuvent provoquer une panne

prématurée du redresseur à ponts interne. Percez dans le support choisi pour le treuil deux trous de 11/32 po (9 mm) de diamètre avec des axes médians écartés de 3 1/8 po (79 mm). Fixez le treuil au support au moyen de la visserie de montage fournie. Serrez-la à un couple de 35 pi-lb (47 N•m).



### ⚠ AVERTISSEMENT *Ne substituez pas une classe plus faible que la classe iso 5.*

### ⚠ ATTENTION *L'assemblage de commutation*

**doit être propre et sec pour assurer un fonctionnement sans risque.**

### FONCTIONNEMENT

Cet appareil est activé par le biais du commutateur situé au bout du fil de 1,8 m (6 pieds). Pour enlever le câble du treuil, appuyez sur le bouton "Out" (Déroulement). La charge s'arrêtera sans marcher sur son erre lorsque le bouton est relâché. Pour tirer une charge ou pour embobiner le câble sur le tambour, appuyez sur le bouton "In" (Enroulement). Votre treuil est conçu pour tirer 680 kg (1 500 livres) sur une seule ligne pendant 20 secondes de

traction sur la couche de câble située la plus près du tambour. Si vous essayez de tirer une charge supérieure à ce poids ou si vous dépassez le cycle de travail, vous pourriez endommager le treuil ou le câble et provoquer le déclenchement du disjoncteur et de ce fait, arrêter le fonctionnement du treuil. (Voir le Guide de détection de problèmes). Gardez au moins cinq (5) tours de câble sur le tambour du treuil avant d'essayer de tirer quoi que ce soit.

### CABLE MÉTALLIQUE

Le câble métallique est une partie de votre treuil qui exigera un examen périodique et un remplacement éventuel. Inspectez-le fréquemment. S'il est effiloché, remplacez-le immédiatement. Votre treuil utilise un câble galvanisé de type aéronautique 7 x 19. Remplacez toujours le câble métallique par le câble de rechange Superwinch, no de pièce 1511D. Puisque tout câble est soumis à l'usure, il est exclu de notre garantie.

Le câble métallique a été installé sur votre treuil sous une charge minimale en usine. Il doit être rembobiné sur le tambour sous charge de façon à ce que les couches extérieures ne s'enfoncent pas sous les couches intérieures, car cela l'endommagerait.

### CONSEILS POUR PROLONGER LA VIE DE VOTRE TREUIL

1. MAINTENEZ LE CÂBLE ÉTROITEMENT SERRÉ AUTOUR DU TAMBOUR. Ne permettez pas que le câble se desserre. Un bobinage qui n'est pas fermement serré permet au câble, lorsqu'il est sous charge, de s'enfoncer dans les couches inférieures de câble embobinées sur le tambour. Lorsque cela se produit, il se peut que le câble se cale dans le bobinage, ce qui endommage le câble. Pour prévenir ce problème, gardez toujours le câble sous tension et embobiné de manière égale autour du tambour. Il est recommandé de rembobiner le

câble sous tension après chaque utilisation.

2. NE LAISSEZ PAS SURCHAUFFER LE MOTEUR DU TREUIL. N'oubliez pas que le treuil est conçu pour un fonctionnement intermittent seulement. Pendant les treuillages longs ou lourds, le moteur s'échauffera. Pour une charge de 454 kg (1 000 livres), laissez refroidir le moteur après 20 secondes de marche. Pour des charges inférieures à 227 kg (500 livres), laissez refroidir le moteur après 2 minutes de marche.
3. UTILISEZ UN PALAN POUR LES CHARGES LOURDES. Afin de maximiser la vie du treuil et du câble, utilisez un palan pour avoir un câble double pour les charges plus lourdes (Fig. 8).



Figure 8

4. La traction initiale requise pour faire bouger une charge est souvent de beaucoup supérieure à la traction requise pour continuer à déplacer la charge. ÉVITEZ LES ARRÊTS ET REMISES EN MARCHÉ RÉPÉTÉS pendant le treuillage.
5. EMPÊCHEZ LES BOUCLES AVANT QU'ELLES NE SE PRODUISENT.
  - a. Voici le début d'une boucle. C'est à ce moment qu'il faut rectifier le câble.
  - b. On a tiré sur le câble et la boucle s'est transformée en noeud. Le câble est maintenant endommagé de manière permanente et doit être remplacé.
  - c. Les noeuds font que les torons métalliques qui sont soumis à la plus grande tension se cassent, ce qui réduit la capacité de charge du câble. Il faut remplacer le câble.

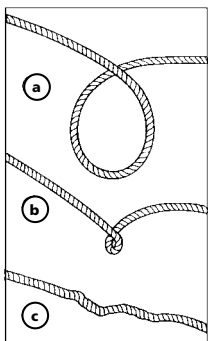


Figure 9

## ENTRETIEN ET RÉPARATION

Contrôlez périodiquement le degré de serrage des boulons de montage et des connexions électriques. Enlevez toute saleté ou corrosion qui se serait accumulée sur les connexions électriques.

**Les réparations ne devraient être effectuées QUE par les Centres de réparation Superwinch autorisés. N'essayez pas de démonter la boîte de vitesse. Le démontage annulera la garantie.**

### LUBRIFICATION

La boîte de vitesse et le roulement du tambour sont lubrifiés de manière permanente avec un lubrifiant d'engrenage de qualité industrielle. Si la re-lubrification s'avère nécessaire (après une réparation ou un démontage), utilisez seulement du Shell Alvenia EP2 ou un produit équivalent.

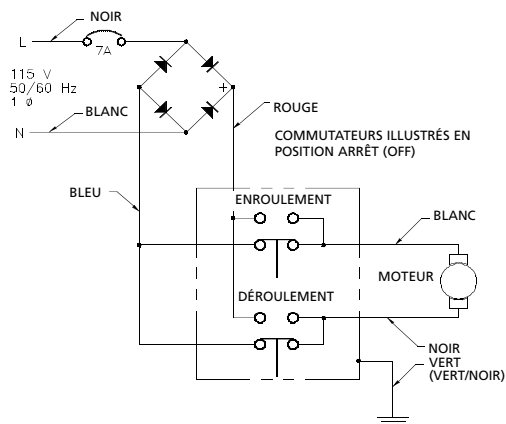
### REMPACEMENT DU CÂBLE

Ne substituez jamais un câble plus lourd ou plus léger. N'utilisez jamais un câble fait de matériel autre que de fil métallique.

**Remplacez toujours le câble endommagé par une pièce de rechange identique provenant du fabricant d'origine** (voir la liste de pièces). Faites passer l'embout d'attache du câble par le guide-câble (s'il y en a) et attachez-le au tambour. Lorsque vous introduisez le câble dans le tambour, introduisez-le du bon côté de l'orifice fourni (Fig. 20). Serrez à fond la vis de serrage.

Il est important d'embobiner étroitement le câble autour du tambour. Une bonne façon de ce faire est d'attacher le crochet du câble métallique à une charge et de la treuiller en mode d'enroulement.

## SCHÉMA ÉLECTRIQUE

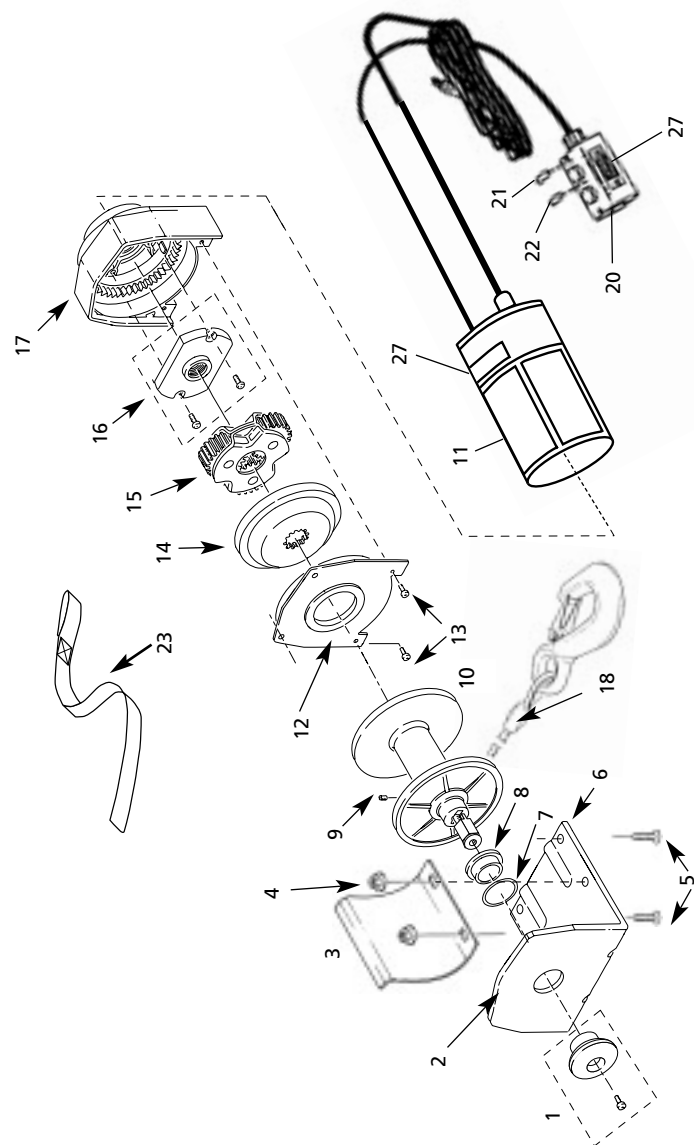


## TABLEAU DE DÉPANNAGE

En cas de problème, contactez le distributeur ou centre de réparation Superwinch le plus proche.

Condition	Cause Possible	Correction
Moteur ne fonctionne pas ou ne marche que dans un seul sens	<ol style="list-style-type: none"> <li>1. Disjoncteur déclenché</li> <li>2. Commutateur ne marche pas</li> <li>3. Fils cassés ou mauvaise connexion</li> <li>4. Moteur endommagé</li> </ol>	<ol style="list-style-type: none"> <li>1. Réarmez le disjoncteur. Si le Superwinch ne fonctionne pas, vérifiez l'extrémité du moteur. Si le disjoncteur a été déclenché, la partie centrale du disjoncteur ressortira du corps principal. Pour réarmer le disjoncteur, appuyez simplement sur la partie centrale pour la rentrer dans l'assemblage.</li> <li>2. Remplacez le commutateur.</li> <li>3. Vérifiez si les connexions sont mauvaises.</li> <li>4. Remplacez ou réparez le moteur.</li> </ol>
Moteur tourne extrêmement chaud	<ol style="list-style-type: none"> <li>1. Période de fonctionnement longue</li> <li>2. Moteur endommagé</li> </ol>	<ol style="list-style-type: none"> <li>1. Laissez refroidir le moteur.</li> <li>2. Remplacez ou réparez le moteur.</li> </ol>
Treuil ne maintient pas la charge	<ol style="list-style-type: none"> <li>1. Charge excessive</li> </ol>	<ol style="list-style-type: none"> <li>1. Réduisez la charge ou redoublez le câble.</li> </ol>

## ASSEMBLAGE DU TREUIL



## Liste de Pièces du Treuil

Article	Description	No. de Pièce	Qté
1	Assemblage de bouton de roue libre	87-10786	1
2	Étiquette-Instruction-Roue libre	87-10903	1
3	Plaque de tension	87-22381	1
4	Écrou à rebord hexagonal M5 x 0,8	87-23149-05	2
5	Vis, FCHSS M6 x 1 x 16	87-22291-02	2
6	Assemblage de plaque de base de série T	87-22394	1
7	Rondelle plate de 0,020 d'épaisseur	90-23193-03	AR
	Rondelle plate de 0,030 d'épaisseur	90-23120-05	AR
8	Bague de série T	87-10466	1
9	Vis de pression M5 x 0,8 x 6	87-23309-01	1
10	Assemblage de tambour	87-20371	1
11	Moteur c.a. 115 V	87-32445	1
12	Plaque de support de tambour	87-33329	1
13	Vis, STPH M4 x 0,7 x 10	87-23030-14	4
14	Engrenage de tête rotative de série T	87-32443	1
15	Assemblage de porteur de série T	87-20308	1
16	Assemblage de frein	87-22541-01	1
17	Assemblage de boîtier d'engrenage fixe	87-24497-01	1
18	Assemblage de câble métallique	1511D	1
20	Assemblage de commutateur	90-23127	1
21	Étiquette, enroulement	90-10517	1
22	Étiquette, déroulement	90-10518	1
23	Protège-main, cordon de nylon	87-31120	1
27	Étiquette d'avertissement	90-10516	2
Δ	Pignon d'attaque du moteur	87-22401	1

NA Ne s'applique pas  
AR Tel que requis  
Δ Non représenté



