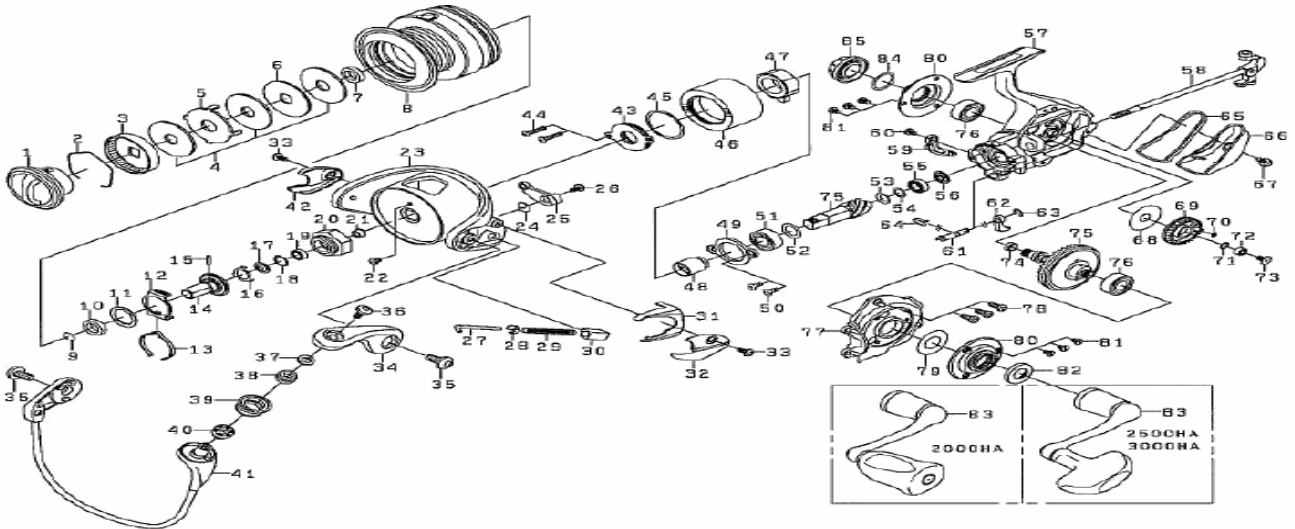




Please order by parts number, not key number
Veuillez indiquer le numéro de la pièce (Non "Key" No.)

SPINNING REEL CERTATE 2000HA/2500HA/3000HA



CERTATE 2000HA

Key No.	Parts No.
1	H44-5701
2	F74-2501
3	F63-5001
4	F63-5001
5	F63-5201
6	F63-5101
7	H41-6301
2, 8	H70-2401
9	G47-2401
10	H41-6301
11	F62-5500
12	H41-6101
13	H41-6101
14	H41-5901
15	G37-5001
16	H41-5801
17	H41-5701
18	G46-6103
19	G46-6204
20	H41-5601
21	H41-5501
22	H02-2701
23	H44-3201
24	H44-3301
25	H41-7701
26	H41-7701
27	H44-3601
28	H57-6101
29	H41-4301
30	H41-4301
31	H44-3701
32	H44-3801
33	H43-1301
34	H41-4401
35	H43-1201
36	H43-1401
37	H41-5401
38	H41-5201
39	G68-6701
40	H41-5201
41	H44-3901
42	H43-1301
43	H53-2601
44	H41-3201
45	H41-3001
46	H51-9301
47	H41-2601
48	H41-2501
49	H73-9101
50	E13-4501
51	G53-5101
52	H41-1401
53	H41-1300
54	E09-6500
55	G53-8003
56	H41-1201
57	H40-9801
58	H47-8702
59	G47-9101
60	H45-6401
61	H41-0001
62	H41-0101
63	B33-9801
64	H41-0201
65	H41-3301
66	H41-3401
67	Screw (B)
68	H60-7901
69	H47-8601
70	G68-3301
71	H12-9200
72	G46-9001
73	G94-0402
74	H45-5601
75	Z02-0620
76	G46-7301
77	H41-2301
78	H43-1001
79	H41-2400
80	H41-2106
81	F62-3305
82	H41-7101
83	H70-7101
84	G80-6001
85	H41-7201

Parts Name
Drag Knob
Drag Washer Retainer
Drag Knob Click Plate
Drag Washer
Eared Washer
Key Washer
Collar (A)
Spool Assembly
Collar Retainer
Collar (B)
Washer (A)
Click Leaf Spring Holder
Spool Click Leaf Spring
Spool Metal
Pin
Bearing Retainer (A)
Rotor Nut
Washer (B)
Ball Bearing (A)
Rotor
Screw (A)
Bail Trip Lever Spring
Bail Trip Lever
Screw (B)
Bail Spring Shaft
Bail Spring Plate
Bail Spring
Bail Spring Holder
Cover (C)
Cover (A)
Cover (B)
Bail Arm
Screw (D)
Screw (E)
Collar (D)
Collar (C)
Line Roller
Collar (F)
Bail Assembly
Screw (F)
Magnet Assembly
"O" ring (A)
Cover (D)
Roller clutch
Spacing Sleeve
Bearing Retainer (B)
Screw (G)
Ball Bearing (B)
Washer (C)
Spring Washer
Washer (D)
Ball Bearing (C)
Collar (G)
Body
Main Shaft
Bail Trip Plate
Screw (H)
Anti-Reverse Cam
And-Reverse Lever
Retainer
Anti-Reverse Cam Spring
Packing (B)
Rear Cover
Screw (I)
Washer (E)
Oscillating Gear
"O" Ring (B)
Washer (F)
Ball Bearing (D)
Screw (J)
Ring
Pinion Gear+ Drive Gear
Bearing (E)
Side Cover
Screw (K)
Washer (G)
Bearing Retainer (C)
Screw (L)
Packing (C)
Handle Assembly
Ring (C)
Handle Screw Cap

CERTATE 2500HA

Parts No.
H41-8201
F71-0001
F89-5301
F69-1001
F62-7301
F62-7201
H41-6301
H70-2401
G47-2401
H41-6301
F62-5500
H41-6101
H41-5901
G37-5001
H41-5801
H41-5701
G46-6103
G46-6204
H41-5601
H41-5501
H02-2701
H41-3501
H41-3601
H41-3501
H41-7701
H41-4101
H57-6101
H41-4701
H41-4301
H41-4001
H41-4601
H43-1301
H41-4401
H43-1201
H43-1401
H41-5401
H41-5201
G68-6701
H41-5201
H41-4701
H41-4601
H53-2601
H41-3201
H41-3001
H51-9301
H41-2601
H41-2501
H73-9101
E13-4501
G53-5101
H41-1401
H41-1300
E09-6500
G53-8003
H41-1201
H40-9801
H41-0602
H41-2201
H45-6401
H41-0001
H41-0101
B33-9801
H41-0201
H41-3301
H41-3401
H41-2401
H60-7901
H41-0401
G68-3301
H12-9200
G46-9001
G94-0402
H45-5601
Z02-0350
G46-7301
H41-2301
H43-1001
H41-2400
H41-2106
F62-3305
H41-7101
H70-7701
G80-6001
H41-7201

CERTATE 3000HA

Parts No.
H41-8201
F71-0001
F89-5301
F69-1001
F62-7301
F62-7201
H41-6301
H70-2401
G47-2401
H41-6301
F62-5500
H41-6101
H46-1301
G37-5001
H41-5801
H46-1201
G46-6103
G46-6204
H41-5601
H46-1101
H02-2701
H46-0201
H41-3601
H41-3601
H41-7701
H57-2001
H57-6101
H41-4301
H46-0501
H46-0601
H43-1301
H53-3801
H43-1201
H43-1401
H41-5401
H41-5201
G68-6701
H41-5201
H46-0701
H46-1001
H53-2601
H41-3201
H41-3001
H51-9301
H41-2601
H41-2501
H73-9101
E13-4501
G53-5101
H41-1401
G57-2500
375-5200
G46-7101
H45-9401
H45-8601
H45-9102
H41-2201
H45-5401
H41-0001
H41-0101
B33-9801
H41-0201
H41-2601
H47-2701
H41-2401
H54-5401
H45-8901
G86-9601
G46-6103
G46-0201
G94-0402
H45-9901
Z02-0352
G46-7301
H46-0101
H43-1001
H41-2400
H43-0301
F62-3305
H41-7101
H70-9601
G80-6001
H41-7201