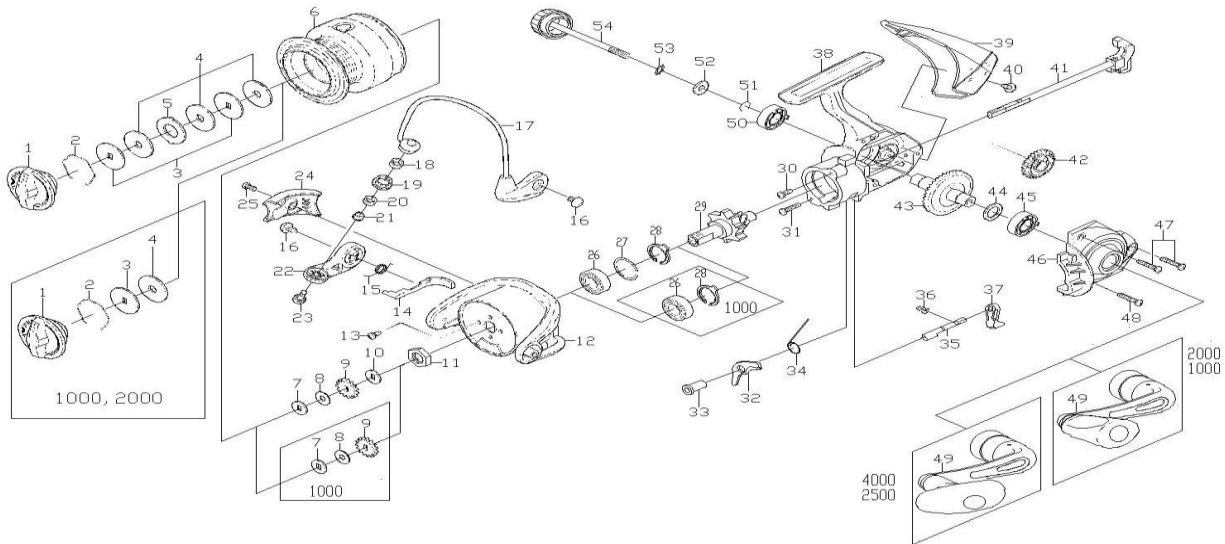




Please order by parts number, not key number
 Veuillez indiquer le numéro de la pièce (Non "Key" No.)

SPINNING REEL STRIKEFORCE 1000-B/2000-B/2500-B/4000-B



| STRIKEFORCE 1000-B | | | STRIKEFORCE 2000-B | | STRIKEFORCE 2500-B | | STRIKEFORCE 4000-B | |
|--------------------|----------|-----------------------------|--------------------|----------|--------------------|----------|--------------------|----------|
| Key No. | Part No. | Part Name | Key No. | Key No. | Key No. | Key No. | Key No. | Key No. |
| 1 | Q10-2201 | DRAG KNOB | Q06-5701 | Q06-5701 | Q06-5701 | Q06-5701 | Q06-5701 | Q06-5701 |
| 2 | F37-3301 | DRAG WASHER RETAINER | F37-3301 | F37-3301 | F37-3301 | F37-3301 | F37-3301 | F37-3301 |
| 3 | E46-7201 | KEY WASHER | E46-7201 | E46-7201 | E46-7201 | E46-7201 | E46-7201 | E46-7201 |
| 4 | E13-6001 | DRAG WASHER | E13-6001 | E13-6001 | E13-6001 | E13-6001 | E13-6001 | E13-6001 |
| 5 | - | EARED WASHER | - | 373-3606 | 373-3606 | 373-3606 | 373-3606 | 373-3606 |
| 2-6 | Q10-2001 | SPOOL ASSEMBLY | Q09-9601 | Q09-9201 | Q09-9201 | Q10-4501 | Q10-4501 | Q10-4501 |
| 7 | E46-7101 | WASHER (A) | E46-7101 | E46-7101 | E46-7101 | E46-7101 | E46-7101 | E46-7101 |
| 8 | E39-8000 | WASHER (B) | E39-8000 | E39-8000 | E39-8000 | E39-8000 | E39-8000 | E39-8000 |
| 9 | G83-9301 | CLICK GEAR | G83-9301 | G83-9301 | G83-9301 | G83-9301 | G83-9301 | G83-9301 |
| 10 | - | WASHER (C) | H11-8501 | H11-8501 | H11-8501 | H11-8501 | H11-8501 | H11-8501 |
| 11 | F33-6102 | ROTOR NUT | G12-3301 | G12-3301 | G12-3301 | G12-3301 | G12-3301 | G12-3301 |
| 12 | H01-9828 | ROTOR | G86-1150 | G84-1957 | G84-1957 | G84-4148 | G84-4148 | G84-4148 |
| 13 | G62-7701 | SCREW (A) | G62-7701 | G62-7701 | G62-7701 | G62-7701 | G62-7701 | G62-7701 |
| 14 | H02-0001 | BAIL TRIP LEVER | G86-1201 | G84-2001 | G84-2001 | G84-4201 | G84-4201 | G84-4201 |
| 15 | H01-9901 | BAIL SPRING | F77-7901 | F80-0701 | F80-0701 | F80-0701 | F80-0701 | F80-0701 |
| 16 | G20-5001 | SCREW (B) | G20-5001 | G20-5001 | G20-5001 | G20-5001 | G20-5001 | G20-5001 |
| 17 | H02-0301 | BAIL ASSEMBLY | G89-0201 | G89-2201 | G89-2201 | G90-6701 | G90-6701 | G90-6701 |
| 18 | G87-4201 | COLLAR (A) | G87-4201 | G87-4201 | G87-4201 | G87-4201 | G87-4201 | G87-4201 |
| 19 | F62-5005 | LINE ROLLER | F62-5005 | F62-5005 | F62-5005 | F62-5005 | F62-5005 | F62-5005 |
| 20 | G87-4301 | COLLAR (B) | G87-4301 | G87-4301 | G87-4301 | G87-4301 | G87-4301 | G87-4301 |
| 21 | G15-2502 | COLLAR (C) | G15-2502 | G15-2502 | G15-2502 | G15-2502 | G15-2502 | G15-2502 |
| 22 | H02-0101 | BAIL ARM | G83-8801 | G83-8801 | G83-8801 | G83-8801 | G83-8801 | G83-8801 |
| 23 | G19-5602 | SCREW (C) | G19-5602 | G19-5602 | G19-5602 | G19-5602 | G19-5602 | G19-5602 |
| 24 | H02-0203 | COVER (A) | G86-1304 | G84-2104 | G84-2104 | G84-4304 | G84-4304 | G84-4304 |
| 25 | G27-0801 | SCREW (D) | G27-0801 | G27-0801 | G27-0801 | G27-0801 | G27-0801 | G27-0801 |
| 26 | G28-5801 | BALL BEARING | G83-6901 | G83-6901 | G83-6901 | G83-6901 | G83-6901 | G83-6901 |
| 27 | - | WASHER (D) | H29-5201 | H29-5201 | H29-5201 | H29-5201 | H29-5201 | H29-5201 |
| 28 | H01-9001 | ANTI-REVERSE PAWL SPRING(A) | G97-2601 | G97-2601 | G97-2601 | G97-2601 | G97-2601 | G97-2601 |
| 29 | H01-8901 | PINION GEAR | G98-0803 | G98-0801 | G98-0801 | G98-6401 | G98-6401 | G98-6401 |
| 30 | G41-0601 | SCREW (E) | G41-0601 | G41-0601 | G41-0601 | G41-0601 | G41-0601 | G41-0601 |
| 31 | H12-0301 | SCREW (F) | G98-0501 | G98-0501 | G98-0501 | G98-0501 | G98-0501 | G98-0501 |
| 32 | H01-9301 | ANTI-REVERSE PAWL | G98-1201 | G98-1201 | G98-1201 | G98-1201 | G98-1201 | G98-1201 |
| 33 | H01-9101 | ANTI-REVERSE PAWL COLLAR | G98-1001 | G98-1001 | G98-1001 | G98-1001 | G98-1001 | G98-1001 |
| 34 | H01-9201 | ANTI-REVERSE PAWL SPRING(B) | G98-1101 | G98-1101 | G98-1101 | G98-1101 | G98-1101 | G98-1101 |
| 35 | H01-8301 | ANTI-REVERSE CAM | G98-0701 | G98-0701 | G98-0701 | G98-0701 | G98-0701 | G98-0701 |
| 36 | G83-6401 | ANTI-REVERSE CAM SPRING | G83-6401 | G83-6401 | G83-6401 | G83-6401 | G83-6401 | G83-6401 |
| 37 | H01-8401 | ANTI-REVERSE LEVER | G92-7001 | G92-7001 | G92-7001 | G92-7001 | G92-7001 | G92-7001 |
| 38 | H01-8213 | BODY | G98-4126 | G97-5829 | G97-5829 | G98-6226 | G98-6226 | G98-6226 |
| 39 | H01-9703 | REAR COVER | G98-5003 | G97-7803 | G97-7803 | G98-6603 | G98-6603 | G98-6603 |
| 40 | G27-0801 | SCREW (G) | G27-0801 | G27-0801 | G27-0801 | G27-0801 | G27-0801 | G27-0801 |
| 41 | H01-8601 | MAIN SHAFT | G86-0603 | G84-1403 | G84-1403 | G84-3501 | G84-3501 | G84-3501 |
| 42 | H01-8501 | OSCILLATING GEAR | G98-5101 | G84-1301 | G84-1301 | G98-6301 | G98-6301 | G98-6301 |
| 43 | H01-9401 | DRIVER GEAR | G90-8602 | G90-8602 | G90-8602 | G92-4302 | G92-4302 | G92-4302 |
| 44 | 375-8500 | WASHER (E) | 373-7800 | 373-7800 | 373-7800 | 373-7800 | 373-7800 | 373-7800 |
| 45 | H02-2001 | BEARING (A) | G88-9301 | G88-9301 | G88-9301 | G88-9301 | G88-9301 | G88-9301 |
| 46 | H01-9613 | SIDE COVER | G98-4921 | G97-5923 | G97-5923 | G98-6521 | G98-6521 | G98-6521 |
| 47 | F93-9701 | SCREW (H) | G11-5001 | G11-5001 | G11-5001 | G11-5001 | G11-5001 | G11-5001 |
| 48 | G11-5001 | SCREW (I) | G11-5001 | G11-5001 | G11-5001 | G11-5001 | G11-5001 | G11-5001 |
| 49 | Q10-1901 | HANDLE ASSEMBLY | Q10-9201 | Q10-9201 | Q10-9201 | Q10-4401 | Q10-4401 | Q10-4401 |
| 50 | H02-2001 | BEARING (B) | G88-9301 | G88-9301 | G88-9301 | G88-9301 | G88-9301 | G88-9301 |
| 51 | H01-9501 | BEARING RETAINER | G52-5101 | G52-5101 | G52-5101 | G52-5101 | G52-5101 | G52-5101 |
| 52 | G86-3901 | WASHER (F) | G86-3901 | G86-3901 | G86-3901 | G86-3901 | G86-3901 | G86-3901 |
| 53 | 160-8101 | WASHER (G) | 160-8101 | 160-8101 | 160-8101 | 160-8101 | 160-8101 | 160-8101 |
| 54 | Q02-0503 | HANDLE SCREW | Q02-0104 | Q02-0104 | Q02-0104 | Q02-0203 | Q02-0203 | Q02-0203 |