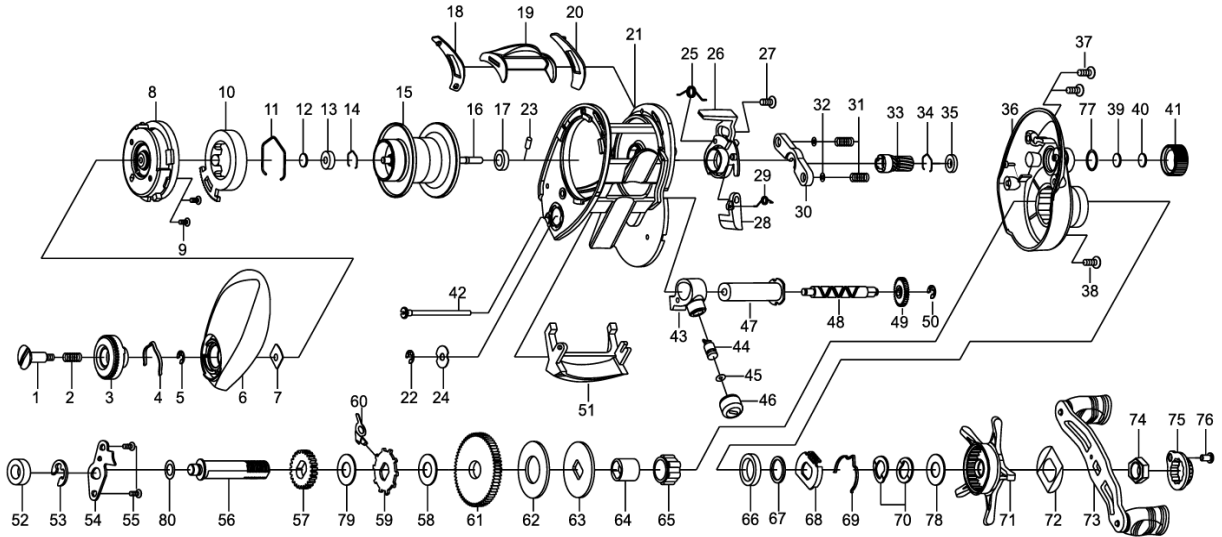




Please order by parts number, not key number
 Veuillez indiquer le numéro de la pièce (Non "Key" No.)

BAITCASTING REEL EXCELER 100HA/100HSA/100PA



Key No.	Part No.	Part Name
1	460-5410	SET PLATE SCREW
2	510-4450	SET PLATE SPRING
3	550-1610	BRAKE ADJ KNOB
4	510-5180	BRAKE CLICK SPRING
5	200-0530	BRAKE DIAL RET
6	230-2275	LEFT SIDE PLATE
7	410-1911	BRAKE DIAL RET
8	220-3030	SET PLATE
9	460-3220	SCREW
10	240-1952	MAGNET HOLDER
11	430-1070	MAGNET HOLDER RET
12	540-5990	SPACER A
13	140-1650	BALL BEARING
14	430-1061	BEARING RET
15-17	700-9570	SPOOL
18	410-2150	SPACER B
19	090-0260	CLUTCH LEVER
20	410-2140	SPACER C
21	110-1100	FRAME
22	200-0530	BRAKE DIAL RET
23	400-2250	SPOOL PIN
24	540-6060	WORM SHAFT WASHER
25	510-5040	CLUTCH CAM SPRING
26	170-1280	CLUTCH CAM
27	460-1290	SCREW
28	330-2820	CLUTCH TRIM PLATE
29	510-5050	CLUTCH TRIM PLT SPRING
30	410-1890	YOKE
31	510-4770	YOKE SPRING
32	540-6020	WASHER
33	260-1691	PINION GEAR
34	430-1061	BEARING RET
35	140-1280	BALL BEARING
36	230-2490	RIGHT SIDE PLATE
37	460-7010	SCREW
38	460-5520	SCREW
39	540-6850	SPACER D
40	540-4340	SPACER E
41	380-1790	CAST CONTROL CAP
42	460-5170	LONG SCREW
43	490-1080	LINE GUIDE
44	400-2540	LINE GUIDE NUT
45	540-3980	OSC PAWL WASHER
46	380-0780	LINE PAWL CAP
47	270-0720	LEVEL WIND GUARD
48	470-1920	WORM SHAFT
49	240-2180	WORM SHAFT GEAR

Key No.	Part No.	Part Name
50	200-0530	BRAKE DIAL RET
51	550-1651	FRONT PLATE
52	140-1280	BALL BEARING
53	200-0580	DRIVE GEAR SHAFT RET
54	410-2211	DRIVE SHAFT RET
55	460-4640	SCREW
56	470-3081	DRIVE SHAFT
57	240-2190	DRIVE GEAR A
58	540-6840	DRIVE SHAFT WASHER
59	240-2530	A/R RATCHET
60	530-0840	A/R PAWL
61	250-1400	DRIVE GEAR
62	540-6950	DRAG WASHER
63	540-9030	KEY WASHER
64	150-2190	GEAR SHAFT COLLAR
65	140-1810	ROLLER CLUTCH
66	140-0570	BALL BEARING
67	540-6250	SPACING WASHER
68	410-2220	CLICK LEAF SPRING HOLDER
69	510-4760	LEAF SPRING A
70	540-6390	DRAG SPRING WASHER
71	320-1230	STAR DRAG
72	510-3260	LEAF SPRING B
73	700-8670	HANDLE ASSEMBLY
74	380-0770	HANDLE NUT
75	180-2470	HANDLE NUT PLATE
76	460-0440	SCREW
77	430-1080	O-RING
78	540-9020	WASHER
79	540-7010	WASHER
80	540-6600	WASHER

EXCELER 100HSA

Key No.	Part No.	Part Name
15-17	700-9571	SPOOL
33	260-1830	PINION GEAR
36	230-2491	RIGHT SIDE PLATE
61	250-1460	DRIVE GEAR

EXCELER 100PA

Key No.	Part No.	Part Name
15-17	700-9572	SPOOL
33	260-1721	PINION GEAR
36	230-2492	RIGHT SIDE PLATE
61	250-1420	DRIVE GEAR
62	540-7300	DRAG WASHER
63	540-9050	KEY WASHER