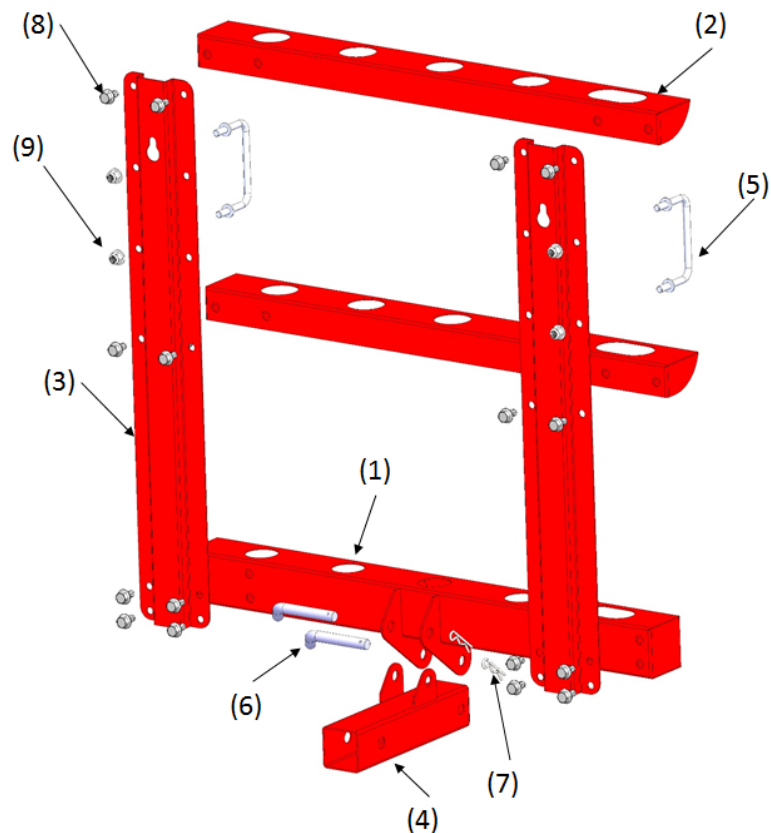


# MoJack HITCH PLUS™ SYSTEM TOOL CARRIER

Customer Service Phone:  
1-877-575-3173.  
[www.themojack.com](http://www.themojack.com)



## Parts List Includes:

- (1) 1-Base Frame
- (2) 2-Upper Frames
- (3) 2-Vertical Supports
- (4) 1-Support Tube
- (5) 2-Lift Handles
- (6) 2-Hitch Pin
- (7) 2-Hair Pin
- (8) 16-M8 X 16 Screws
- (9) 4-M8 Lock Nuts

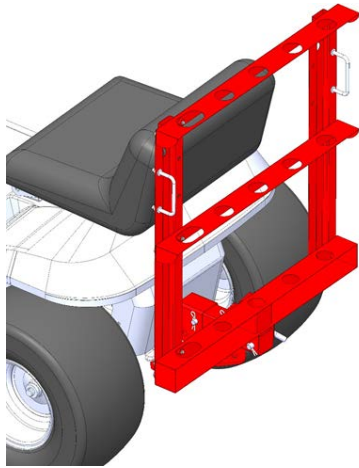
## Tool Carrier Tray Tools required:

- (1) 13mm wrench
- (1) 8 mm wrench

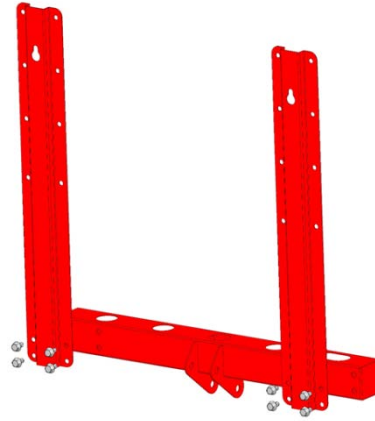


-OVER-

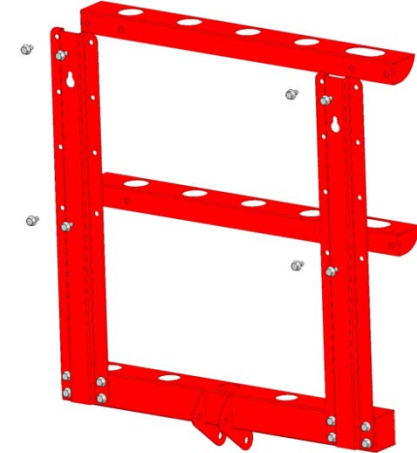
# Tool Carrier Assembly Instructions



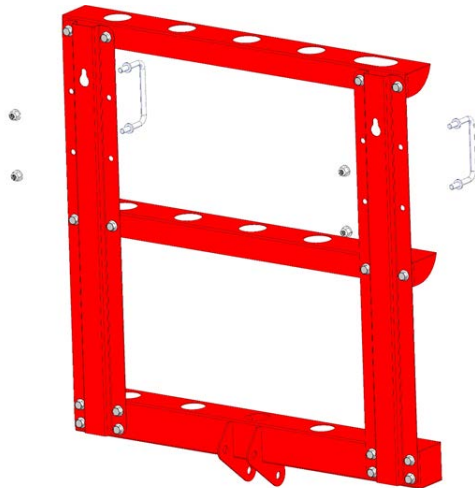
The Tool Carrier Accessory is to be used with the Multi-Use Hitch mount **ONLY** and is **SOLD SEPARATELY**.



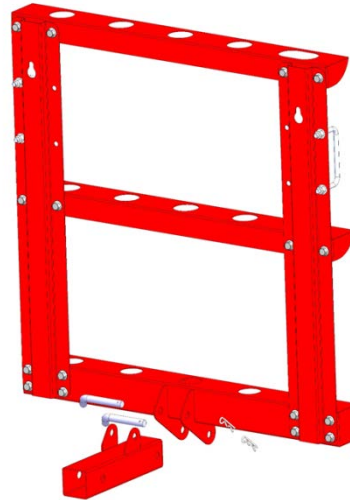
1. Assemble (2) Vertical Supports to Base Frame using (8) M8 X 16 Screws.



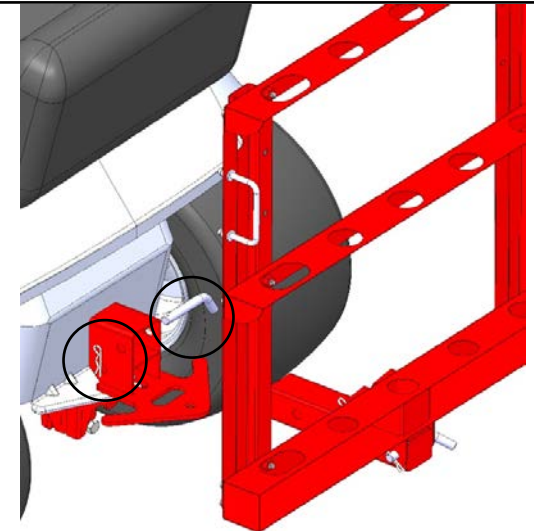
2. Assemble (2) Upper Frames to Vertical Supports using (8) M8 X 16 Screws



4. Assemble (2) Lift Handles to Vertical Supports using (4) M8 Locknuts.



5. Assemble Support Tube to Base Frame using (2) Hitch Pins and (2) Hair Pins



6. Using Hitch Pin and Hair Pin provided with Multi-Hitch assemble Tool Carrier to Multi-Hitch

**Customer Service Phone: 1-877-575-3173. [www.themojack.com](http://www.themojack.com).** This product has a 30 day limited warranty. For questions call the listed phone number or submit your question through the website.