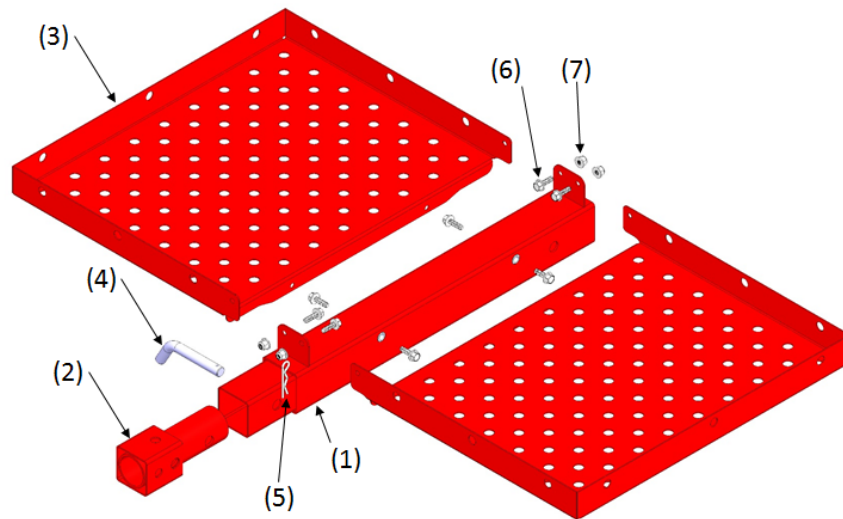


# MoJack HITCH PLUS™ SYSTEM

## CARRIER TRAY

Customer Service Phone:  
1-877-575-3173.  
[www.themojack.com](http://www.themojack.com)

### Parts Diagram



### Parts List

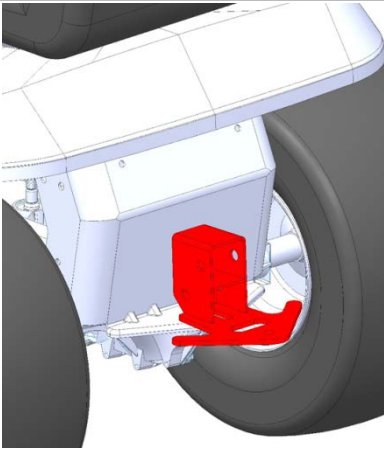
- (1) 1 Carrier Support
- (2) 1 Extension Tube
- (3) 2 Carrier Trays
- (4) 1 Hitch Pin
- (5) 1 Hair Pin
- (6) 8 M6 X 20 Screws
- (7) 8 M6 Lock Nuts

### Tools required

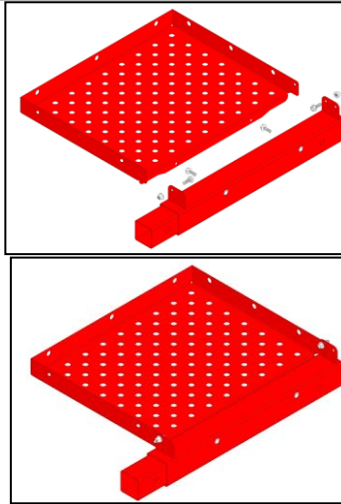
- (1) 8mm wrenches
- (1) 10mm wrench



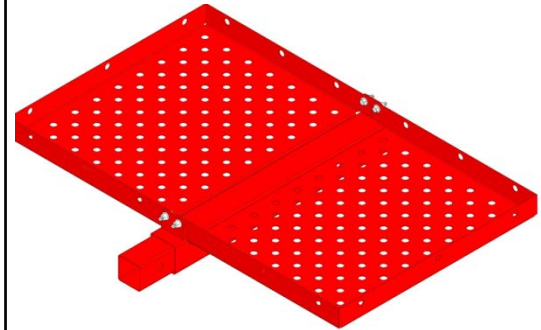
# Carrier Tray Assembly Instructions



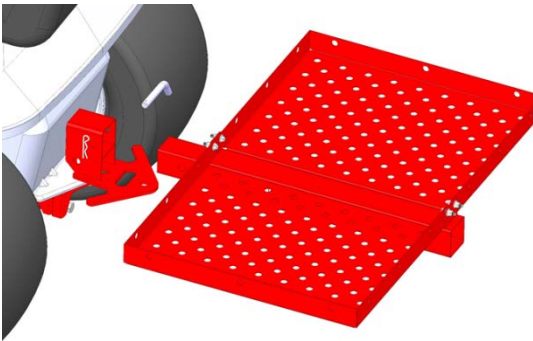
The Carrier Tray Accessory is to be used with the Multi-Use Hitch mount **ONLY** and is **SOLD SEPARATELY.**



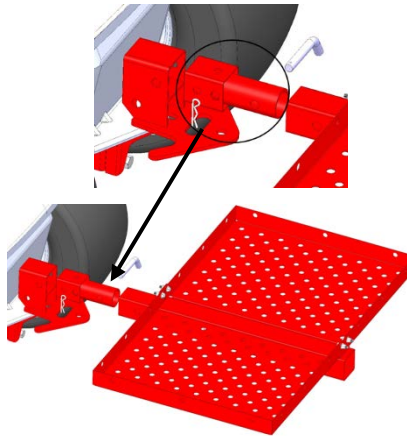
1. Using (4) M6 X20 Screws and (4) M6 Locknuts. Assemble (1) Carrier Tray to Carrier Support as shown.



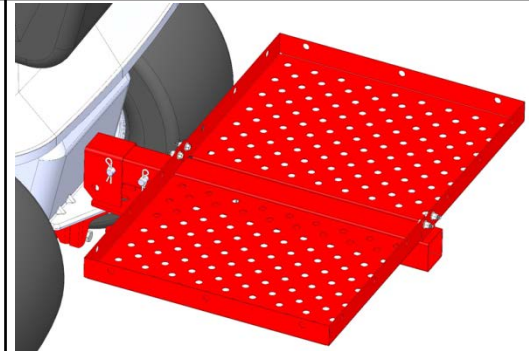
2. Repeat last step to assemble opposite side.



3. Assemble Carrier Tray Assembly to Multi-Hitch using Hitch Pin and Hair Pin



Optional Assembly:  
If Carrier Tray Assembly is too close to vehicles rear tires, assemble Carrier Extension Tube to Carrier Tray Assembly using Hitch Pin and Hair Pin.



4. Using Hitch Pin and Hair Pin provided with Multi-Hitch assemble Carrier Tray to Multi-Hitch

**Customer Service Phone: 1-877-575-3173. [www.themojack.com](http://www.themojack.com).** This product has a 30 day limited warranty. For questions call the listed phone number or submit your question through the website.