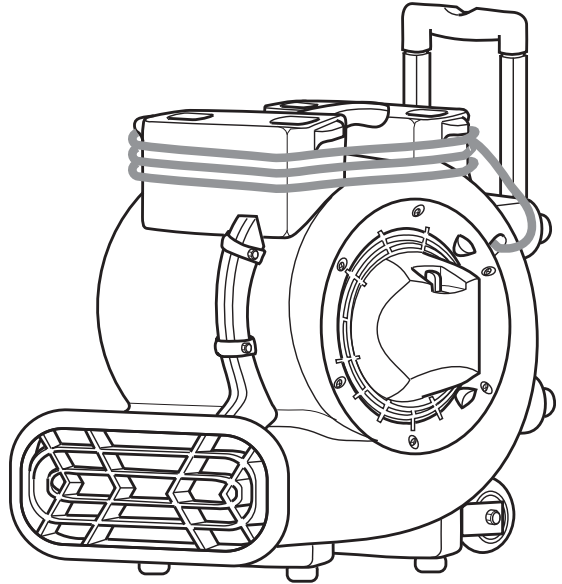


# WORKSHOP<sup>®</sup> MD

## WET/DRY VACS

### OWNER'S MANUAL

- Three Speed Air Mover
- WS1625AM0



FOR QUESTIONS OR INFORMATION CONTACT US AT:  
1-888-455-8724 from the US and Canada  
[www.WORKSHOPvacs.com](http://www.WORKSHOPvacs.com)

**⚠ WARNING:**

To reduce the risk of injury, the user must read and understand the owner's manual before using this product.

- Español - página 11
- Français - page 21

**SAVE THIS MANUAL FOR FUTURE REFERENCE**

# TABLE OF CONTENTS

| Section  | Page | Section                                     | Page |
|--|------|---|------|
| Important Safety Instructions                  | 2    | Cleaning Your Air Mover                     | 7    |
| Motor Specifications & Electrical Requirements | 3    | User Servicing/Troubleshooting Instructions | 7    |
| Introduction                                   | 4    | Wiring Diagram                              | 8    |
| Unpacking & Checking Carton Contents           | 4    | Warranty                                    | 9    |
| Features & Operation                           | 5    | Repair Parts                                | 31   |
| Storage & Transportation                       | 6    | Servicing Double-Insulated Wet/Dry Vacs     | 31   |

## IMPORTANT SAFETY INSTRUCTIONS

Safety is a combination of using common sense, staying alert, and knowing how your Air Mover works.

### Safety Signal Words

**▲ DANGER:** Indicates an imminently hazardous situation which, if not avoided, will result in death or serious injury.

**▲ WARNING:** Indicates a potentially hazardous situation which, if not avoided, could result in death or serious injury.

**▲ CAUTION:** Indicates a potentially hazardous situation which, if not avoided, may result in minor or moderate injury, or property damage.

When using your Vac, always follow basic safety precautions including the following:

### ▲ WARNING

**- To reduce the risk of fire, electric shock, or injury:**

- Read and understand this manual and all labels on the Air Mover before operating.
- Use only as described in this manual.
- To reduce the risk of electric shock, do not expose to rain, or immerse in or use in standing water. Store indoors only.
- Use only with GFCI-protected outlets.
- When storing or transporting, do not stack Air Movers more than 2 units high.
- Do not use an extension cord with this Air Mover.
- Electrical appliances can ignite flammable vapors or dust. Do not use near combustible liquids, gases, or dusts.

- Do not leave plugged into outlet when not in use or when servicing. Turn off before unplugging.
- To reduce the risk of stirring up and inhaling toxic vapors, do not use near toxic or hazardous materials.
- Never operate with safety grills removed.
- This unit has an automatically-operated protective device which may shut down the unit during operation. Unplug before servicing or cleaning.
- Do not use with solid state speed control device.
- Do not allow to be used as a toy. Close attention is necessary when used by or near children.
- Do not unplug by pulling on cord. To unplug, grasp the plug, not the cord.
- Do not use with damaged cord, plug, or other parts.
- If your Air Mover is not working as it should, has missing parts, has been dropped, damaged, left outdoors, or dropped into water, call customer service.
- Do not pull or carry by cord, use cord as handle, close a door on cord, or pull cord around sharp edges or corners. Keep cord away from heated surfaces.
- Do not run cord under carpeting. Do not cover cord with throw rugs, runners, or similar coverings. Do not route cord under furniture or appliances. Arrange cord away from traffic area and where it will not be tripped over.
- Do not handle plug, switch, or the Air Mover with wet hands.
- Do not lift Air Mover by retractable handle.

- Do not use retractable handle and wheels for going up and down stairs.
- Do not use unit as a hand truck or moving dolly.
- Do not put any object into air intake openings.
- Keep hair, loose clothing, fingers, and all parts of body away from openings and moving parts.
- Direct air discharge only at work area. Do not direct air at bystanders.

---

**⚠ CAUTION:**

- For dusty operations, wear dust mask.
  - Do not move or carry Air Mover when it is operating.
  - Only operate on a level and stable surface to prevent it from falling and possibly causing injury or damage to unit.
- 

Observe the following warnings that appear on the motor housing of your Air Mover:

**⚠ WARNING: To reduce the risk of electric shock, connect only to a GFCI protected outlet. Do not expose to water or rain.**

**⚠ CAUTION:**

- This fan has an automatic motor shutoff device; it may restart without notice. To reduce the risk of injury, unplug before servicing.
- Do not use an extension cord with this fan.

**⚠ WARNING: TO REDUCE THE RISK OF TIP-OVER DURING STORAGE OR TRANSPORT, STACK 2-HIGH ONLY.**

## SAVE THIS MANUAL

## MOTOR SPECIFICATION & ELECTRICAL REQUIREMENTS

This Air Mover is provided with a 3-speed, 115 volt, 60 Hz induction motor with a grounding conductor. It is thermally protected and will automatically shut down if over-heated. Once it cools, the motor will restart automatically if not unplugged.

In the event of a malfunction or breakdown, grounding provides a path of least resistance for electric current to reduce the risk of electric shock. This Air Mover is equipped with an electric cord having an equipment grounding conductor and a grounding plug.

The plug must be plugged into a matching outlet that is properly installed and grounded in accordance with all local codes and ordinances.

Do not modify the plug provided. If it will not fit the outlet, have the proper outlet installed by a qualified electrician.

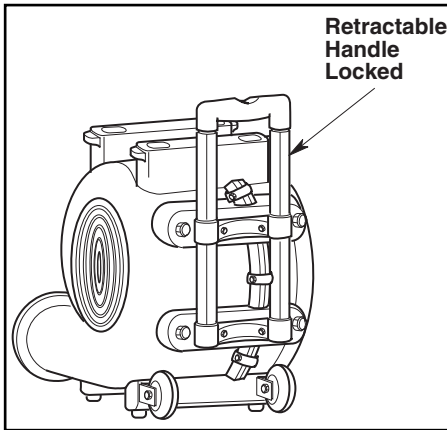
# INTRODUCTION

Air Movers are designed to move large volumes of air. They are used to dry wet carpets, floors and furniture. They may also be used for ventilation.

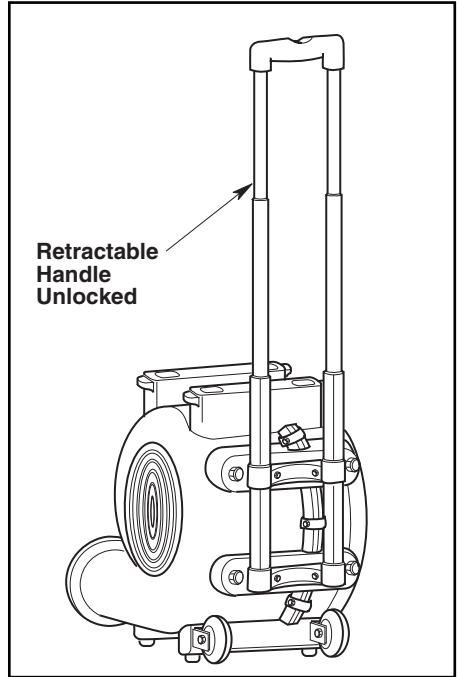
## UNPACKING & CHECKING CARTON CONTENTS

Carefully unpack and inspect your Air Mover. Call 1-888-455-8724 or E-mail us at [info@WORKSHOPvac.com](mailto:info@WORKSHOPvac.com) if any parts are damaged or missing.

Your Air Mover comes packaged with the retractable handle in a locked downward position.

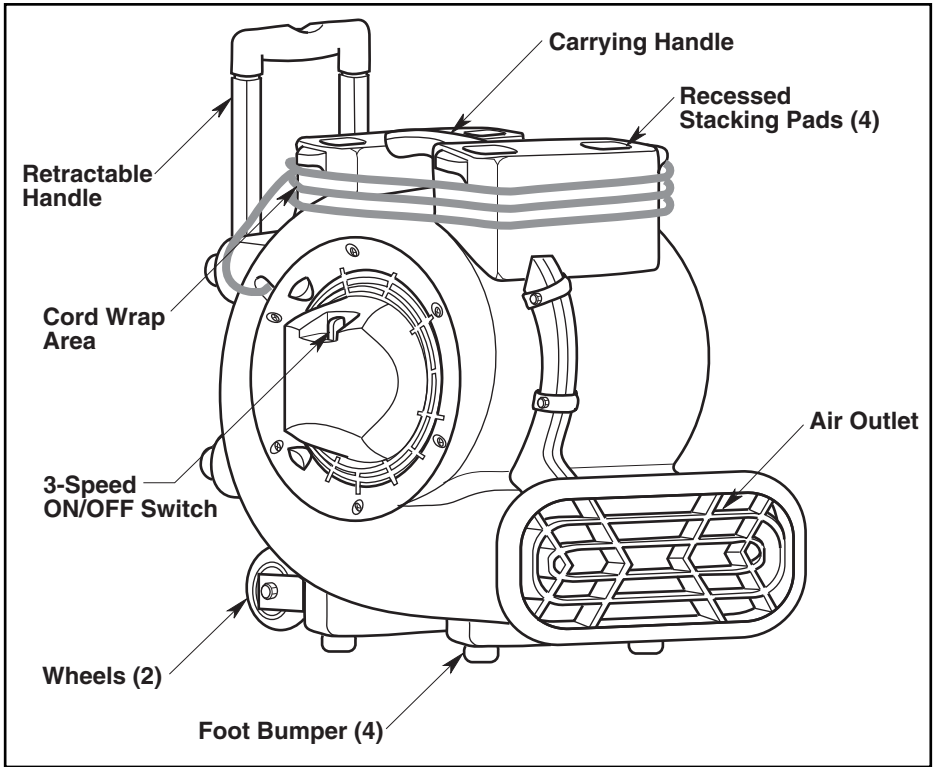


**Handle Down Position**

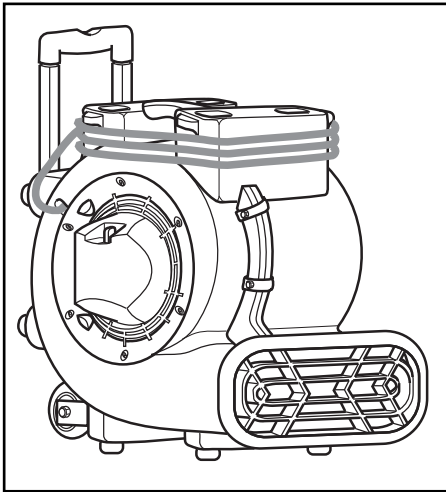


**Handle Up Position**

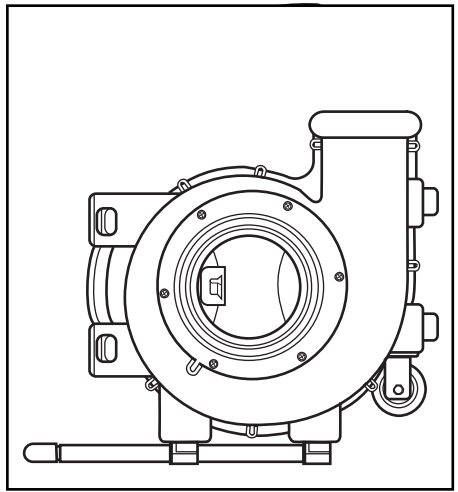
# FEATURES & OPERATION



Place Air Mover in desired operating position:



**Floor & Carpet**



**90° Ceilings & Ventilation**

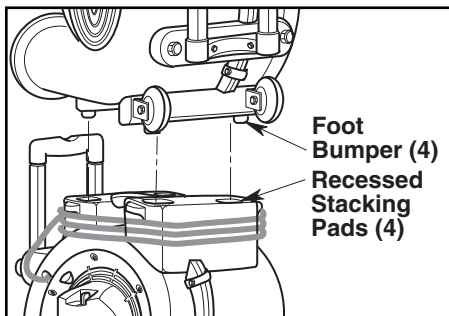
**NOTE: Collapse retractable handle for safety.**

# STORAGE & TRANSPORTATION

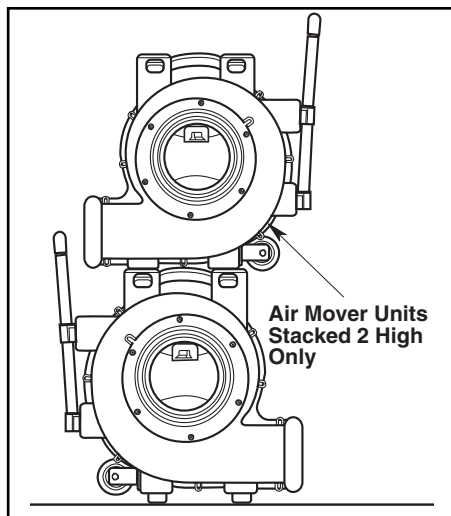
When stacking units, position the four foot bumpers on the recessed stacking pads.

The units conveniently “stack” for storage, as shown

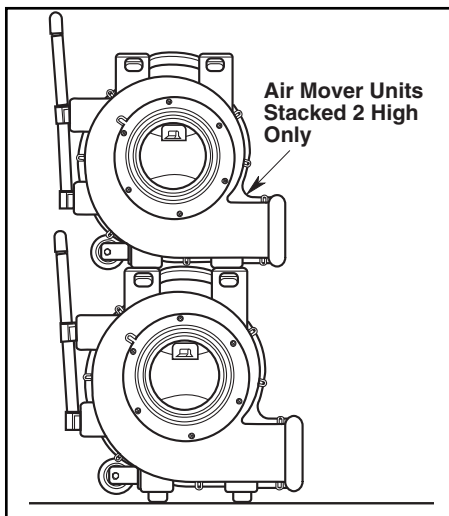
**⚠ CAUTION: Do not operate Air Mover when stacked on top of each other. Do not stack more than 2 high.**



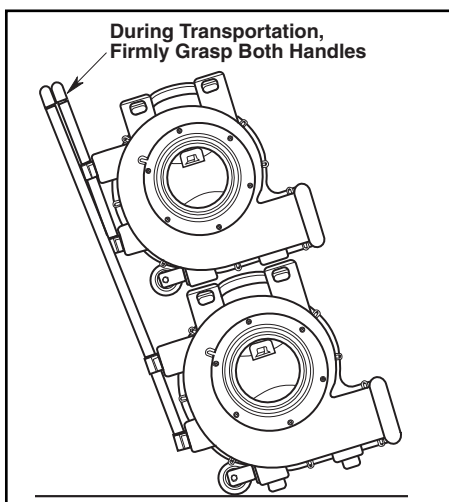
## PREFERRED POSITION



## ALTERNATE POSITION



To transport the units in a stacked position, fully extend the bottom Air Mover handle. Grasp handles of each unit firmly, and tilt units backwards and move to desired location.



# CLEANING YOUR AIR MOVER

If the polypropylene housing becomes soiled it may be wiped off with a damp cloth.

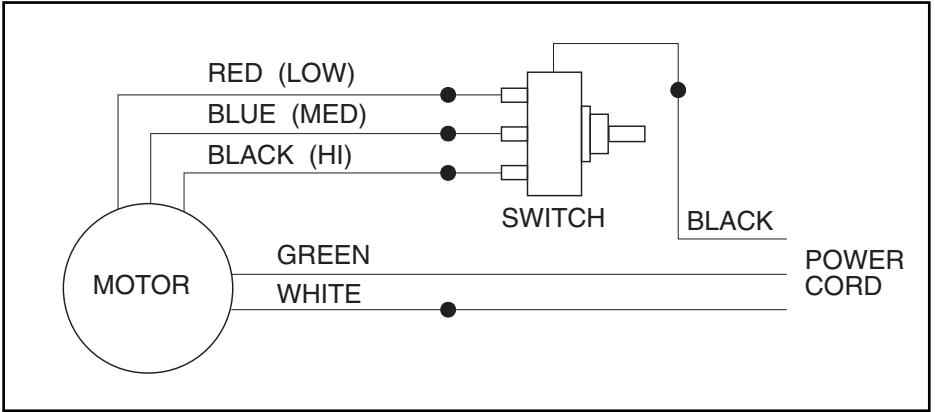
**⚠ WARNING: After servicing, any safety device (includes grilles, impeller, etc.) should be reinstalled or remounted.**

## USER SERVICING / TROUBLESHOOTING INSTRUCTIONS

**⚠ WARNING: Unplug before any disassembly or servicing.**

| PROBLEM  | CAUSE  | SOLUTION   |
|--|--|--|
| Unit will not run.                                 | <ol style="list-style-type: none"> <li>1. No power to unit.</li> <li>2. Switch not on.</li> <li>3. Switch is faulty.</li> <li>4. Faulty/broken cord or motor wire.</li> </ol>  | <ol style="list-style-type: none"> <li>1. Plug unit in. Check circuit breaker.</li> <li>2. Place in "ON" position.</li> <li>3. Replace switch.</li> <li>4. Perform continuity check, using volt/amp meter. Repair/replace faulty broken wire.</li> </ol> |
| Unit runs but air mover makes loud scraping noise. | <ol style="list-style-type: none"> <li>1. Unit has been severely jolted causing blower wheel to rub against housing.</li> <li>2. Unit has been severely jolted causing housing to deform.</li> </ol>   | <ol style="list-style-type: none"> <li>1. Remove motor and replace damaged motor or motor mounts, as needed.</li> <li>2. Replace blower wheel or damaged housing.</li> </ol>   |
| Unit runs but vibrates excessively.                | <ol style="list-style-type: none"> <li>1. Severe jolt has bent motor shaft causing unit to be out of balance.</li> <li>2. Blower wheel blade damaged.</li> <li>3. Dirt build up on one side of Air Mover blower wheel.</li> </ol>                | <ol style="list-style-type: none"> <li>1. Remove and replace motor.</li> <li>2. Replace blower wheel if necessary.</li> <li>3. Clean blower wheel blades.</li> </ol>   |
| Unit runs but blower wheel does not turn.          | <ol style="list-style-type: none"> <li>1. Blower wheel is jammed against housing.</li> <li>2. Capacitor wire has broken/ come loose, capacitor has failed.</li> <li>3. Housing has been damaged such that it presses on blower wheel.</li> </ol> | <ol style="list-style-type: none"> <li>1. Remove motor and replace damaged motor mounts. Replace blower wheel if necessary.</li> <li>2. Repair/replace wires/motor as necessary.</li> <li>3. Replace housing/unit as necessary.</li> </ol>               |
| Unit runs briefly, then shuts off on overload.     | <ol style="list-style-type: none"> <li>1. Motor bearings are failing or motor has developed an internal electrical fault.</li> <li>2. Intake grille and /or exhaust grille is obstructed.</li> </ol>   | <ol style="list-style-type: none"> <li>1. Replace motor.</li> <li>2. Remove obstruction.</li> </ol>  |

# WIRING DIAGRAM





# WORKSHOP® LIMITED WARRANTY

This limited warranty is offered by Emerson Tool Company, a division of Emerson Electric Co., located at the address below (“**ETC**” or “**we**” or “**our**” or “**us**”) and applies to our WORKSHOP-branded Wet/Dry Vacuums (collectively, the “**WORKSHOP® Product**”).

If you have any questions or need assistance regarding the warranty of your WORKSHOP Product, please contact ETC's WORKSHOP Product Customer Service Department at the toll free number or at the address provided below.

## **WORKSHOP® Limited Warranty**

ETC, located at 8100 W Florissant Ave, St. Louis, MO 63136 provides the following limited warranty to the original purchaser only (“**you**” or “**your**”) subject to the exclusions described below: Your WORKSHOP Product will be free from defects in material and workmanship when used under normal conditions in accordance with the terms of the Owner's Manual provided to you with the WORKSHOP Product for a period of five (5) years beginning on the original date of purchase (the “**Warranty Period**”). This limited warranty terminates if the original purchaser transfers the WORKSHOP Product to any other person or entity.

## **What is Not Covered - Warranty Exclusions**

This limited warranty does not extend to and expressly excludes:

- Normal wear and tear and/or replacement attachments or accessories, including, without limitation, power cords, hoses, filters, and other attachments or accessories that may be offered for sale by us for use with the WORKSHOP Product.
- Damage or burnout of the WORKSHOP Product motor resulting from failure to clear a blockage occurring during the normal course of use.
- Loss or damage to the WORKSHOP Product resulting from conditions beyond ETC's control including without limitation, misuse, accident, abuse, neglect, negligence (other than ETC's), overuse beyond intended capacity as set forth in the Owner's Manual, or modifications or alterations made by anyone other than ETC.
- Loss or damage to the WORKSHOP Product resulting from failure to use the WORKSHOP Product in accordance with the written instructions, guidelines, and terms and conditions set forth in the Owner's Manual.

## **Limited Warranty Notification and Claim Procedures**

If you discover within the Warranty Period applicable to you that your WORKSHOP Product has a defect that you believe is covered by this limited warranty, you must contact ETC's WORKSHOP Product Customer Service Department at (888) 455-8724 between the hours of 8:30 a.m. and 4:30 p.m. Central Time. Alternatively, you may contact ETC's WORKSHOP Product Customer Service Department at the email address listed in your Owner's Manual or on the WORKSHOP Product page of the ETC website.

In order for your warranty claim to be processed as quickly as possible, we suggest that you complete the “Registration Card” made available to you on the WORKSHOP Product page of the ETC website at [www.WORKSHOPvac.com](http://www.WORKSHOPvac.com). If you do not choose to register your WORKSHOP Product, in order to make a warranty claim, you will need to provide us with a copy of your sales receipt or other proof of purchase showing the purchase date to confirm that your claim is within the Warranty Period and that you are the original purchaser.

# WORKSHOP® LIMITED WARRANTY

## What We Will Do to Correct Problems

After you have contacted ETC's WORKSHOP Product Customer Service Department pursuant to the above procedures, ETC will initiate warranty proceedings, including a physical inspection, subject to the exclusions and the Warranty Period stated herein, to determine whether to repair or replace the WORKSHOP Product or provide you with a refund.

The decision to repair or replace your WORKSHOP Product or to provide a refund is at our sole discretion. Repair or replacements provided to you by ETC are at no cost to you if covered under this limited warranty. Coverage under this limited warranty is conditioned at all times upon the original purchaser's compliance with the above limited warranty notification and claim procedures.

If your claim is covered under this limited warranty, we will, at our sole option, (a) repair or replace the defective portion of your WORKSHOP Product or (b) replace your entire WORKSHOP Product. If we are unable to provide you with a suitable repaired or replacement WORKSHOP Product, we will provide you with a refund equal to the purchase price of your WORKSHOP Product or a credit to be used toward the purchase of a new WORKSHOP Product.

## No Other Express Warranty Applies

THE LIMITED WARRANTIES PROVIDED ABOVE ARE THE SOLE AND EXCLUSIVE WARRANTIES PROVIDED BY ETC TO THE ORIGINAL PURCHASER OF THE WORKSHOP PRODUCT, AND ARE IN LIEU OF ALL OTHER WARRANTIES, WRITTEN OR ORAL, EXPRESS OR IMPLIED, WHETHER ARISING BY OPERATION OF LAW OR OTHERWISE, INCLUDING, WITHOUT LIMITATION, WARRANTIES OF MERCHANTABILITY OR FITNESS FOR A PARTICULAR PURPOSE, WHETHER OR NOT THE PURPOSE HAS BEEN DISCLOSED AND WHETHER OR NOT THE WORKSHOP PRODUCT HAS BEEN SPECIFICALLY DESIGNED OR MANUFACTURED FOR YOUR USE OR PURPOSE. DISCLAIMERS OF IMPLIED WARRANTIES, INCLUDING WITHOUT LIMITATION, IMPLIED WARRANTIES OF MERCHANTABILITY AND FITNESS FOR A PARTICULAR PURPOSE, SHALL NOT TAKE EFFECT UNTIL THE END OF THE WARRANTY PERIOD. No employee, agent, dealer, or other person is authorized to alter this limited warranty or make any other warranty on behalf of ETC. The terms of this limited warranty shall not be modified by ETC, the original owner, or their respective successors or assigns.

## Limitation of Liability

TO THE EXTENT PERMITTED BY LAW, IN NO EVENT SHALL ETC BE LIABLE FOR ANY INCIDENTAL, SPECIAL, INDIRECT, OR CONSEQUENTIAL DAMAGES, INCLUDING ANY ECONOMIC LOSS, WHETHER RESULTING FROM NONPERFORMANCE, USE, MISUSE OR INABILITY TO USE THE WORKSHOP PRODUCT OR FOR THE NEGLIGENCE OF ETC. ETC SHALL NOT BE LIABLE FOR DAMAGES CAUSED BY DELAY IN PERFORMANCE AND IN NO EVENT, REGARDLESS OF THE FORM OF THE CLAIM OR CAUSE OF ACTION (WHETHER BASED IN CONTRACT, INFRINGEMENT, NEGLIGENCE, STRICT LIABILITY, OTHER TORT OR OTHERWISE), SHALL ETC'S LIABILITY TO YOU OR ANY INDIVIDUAL USING THE WORKSHOP PRODUCT EXCEED THE PRICE PAID BY THE ORIGINAL OWNER FOR THE WORKSHOP PRODUCT. The term "consequential damages" shall include, but not be limited to, loss of anticipated profits, business interruption, loss of use or revenue, cost of capital or loss or damage to property or equipment.

Some states do not allow the exclusion or limitation of incidental or consequential damages, so the above limitation may not apply to you.

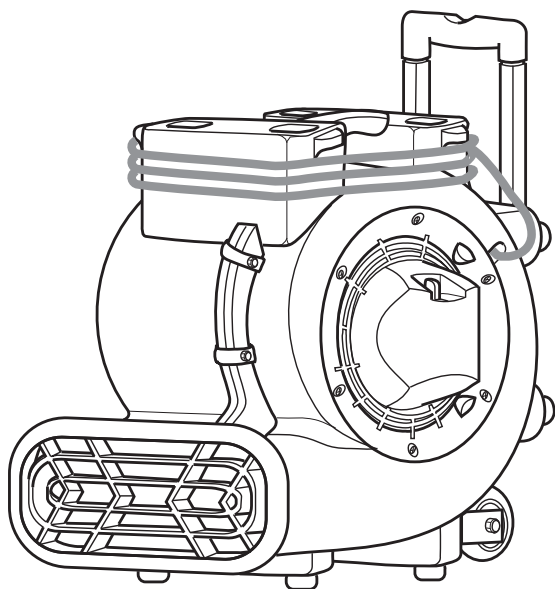
This limited warranty gives you specific legal rights, and you may also have other rights which vary from State to State.

# WORKSHOP<sup>®</sup> MD

## WET/DRY VACS

- Desplazador de aire de tres velocidades
- WS1625AM0

### MANUAL DEL USUARIO



¿PREGUNTAS O COMENTARIOS? COMUNÍQUESE CON NOSOTROS EN:

1-888-455-8724 desde los EE.UU. y Canadá

[www.WORKSHOPvacs.com](http://www.WORKSHOPvacs.com)

**⚠ ADVERTENCIA:**

Para reducir el riesgo de lesiones, el usuario debe leer y entender el manual del usuario antes de utilizar este producto.

- Español - página 11
- Français - page 21

**GUARDE ESTE MANUAL PARA REFERENCIA FUTURA**

# INDICE

| Sección  | Página | Sección   | Página |
|--|--------|---|--------|
| Instrucciones de seguridad importantes . . . .                             | 12     | Instrucciones de mantenimiento y resolución de problemas por el usuario . .                           | 17     |
| Especificaciones del motor y requisitos eléctricos . . . . .               | 13     | Diagrama de cableado . . . . .  | 18     |
| Introducción . . . . .   | 14     | Garantía . . . . .  | 19     |
| Desempaquetado y comprobación del contenido de la caja de cartón . . . . . | 14     | Piezas de repuesto . . . . .  | 31     |
| Características y utilización . . . . .                                    | 15     | Servicio de ajustes y reparaciones de una aspiradora para mojado/seco con aislamiento doble . . . . . | 31     |
| Almacenamiento y transporte . . . . .                                      | 16     |   |        |
| Limpieza de su desplazador de aire . . . . .                               | 17     |   |        |

## INSTRUCCIONES DE SEGURIDAD IMPORTANTES

La seguridad es una combinación de usar el sentido común, mantenerse alerta y saber cómo funciona su desplazador de aire.

### Palabras de señal de seguridad

**▲ PELIGRO:** indica una situación peligrosa que, si no se evita, causará la muerte o lesiones graves.

**▲ ADVERTENCIA:** indica una situación peligrosa que, si no se evita, podría causar la muerte o lesiones graves.

**▲ PRECAUCIÓN:** indica una situación peligrosa que, si no se evita, pudiera causar lesiones leves o moderadas

Al usar el desplazador de aire, siga las precauciones básicas de seguridad, incluyendo las siguientes.

### ▲ ADVERTENCIA

– Para reducir el riesgo de incendio, sacudidas eléctricas o lesiones:

- Lea y entienda el manual del usuario y todas las etiquetas que están en el desplazador de aire antes de usarlo.
- Utilice la unidad únicamente de la manera que se describe en este manual.
- Para reducir el riesgo de descargas eléctricas, no la esponja a la lluvia ni deje que entren líquidos en el compartimiento del motor. Guárdela en un lugar interior.
- Utilice la unidad sólo con tomacorrientes protegidos con un interruptor GFCI.
- No apile más de 2 unidades de desplazador de aire una encima de otra.
- No use un cordón de extensión con este desplazador de aire.
- Los electrodomésticos pueden incendiar los vapores o polvos inflamables. No use la unidad cerca de líquidos, gases o polvos inflamables.
- No deje la unidad enchufada en un toma-corriente cuando no se esté usando o cuando se

le esté haciendo servicio de ajustes y reparaciones. Apáguela antes de desenchufarla.

- Para reducir el riesgo de inhalar vapores tóxicos, no recoja con la aspiradora materiales o peligrosos ni la use cerca de dichos materiales.
- No utilice nunca la unidad con las rejillas de seguridad retiradas.
- Esta unidad tiene un dispositivo protector operado automáticamente que puede apagarla durante la operación. Desenchufe la unidad antes de hacerle servicio de ajustes y reparaciones o limpiarla.
- No utilice la unidad con un dispositivo de control de velocidad de estado sólido.
- No permita que la unidad se utilice como un juguete. Se necesita prestar máxima atención cuando sea utilizada por niños o cerca de éstos.
- No desenchufe la unidad tirando del cordón. Para desenchufarla, agarre el enchufe y no el cordón.
- No use la unidad con el cordón dañado, el enchufe dañado u otras piezas dañadas.
- Si el desplazador de aire no funciona como debe, le faltan piezas, se ha caído, ha sido dañada, se ha dejado a la intemperie o se ha caído al agua, llame a servicio al cliente.
- No tire de la unidad usando el cordón ni la lleve por el cordón, ni use el cordón como asa, ni cierre una puerta sobre el cordón, ni tire del cordón alrededor de bordes o esquinas afilados. No pase la unidad en marcha sobre el cordón. Mantenga el cordón alejado de las superficies calientes.
- No pase el cable de alimentación por debajo de las alfombras. No cubra dicho cable con alfombrillas, alfombras de pasillo o cubiertas similares. No encamine el cable de alimentación por debajo de muebles o electrodomésticos. Ubique dicho cable alejándolo del área de tráfico y donde nadie se tropiece con él.

- No maneje el enchufe, el interruptor o el desplazador de aire con las manos mojadas.
- No levante el desplazador de aire utilizando el asa retraíble.
- No use el asa retraíble y las ruedas para subir y bajar escaleras.
- No utilice la unidad como una carretilla de mano o una plataforma móvil.
- No ponga ningún objeto en las aberturas de entrada de aire.
- Mantenga el pelo, la ropa holgada, los dedos y todas las partes del cuerpo alejados de las aberturas y de las piezas móviles.
- Dirija la descarga de aire solamente hacia el área de trabajo. No dirija el aire hacia las personas que estén presentes.

#### **⚠ PRECAUCIÓN:**

- Para operaciones que generan polvo, use una máscara antipolvo.
- No mueva ni transporte el desplazador de aire cuando esté funcionando.
- Utilice la unidad solamente sobre una superficie nivelada y estable para evitar que se caiga y posiblemente cause lesiones o se dañe la unidad.

Haga caso de las siguientes advertencias que aparecen en la carcasa del motor del desplazador de aire:

**⚠ ADVERTENCIA:** Para reducir el riesgo de descargas eléctricas, conecte la unidad sólo a un tomacorriente protegido con un interruptor GFCI. No exponga la unidad al agua ni a la lluvia.

#### **⚠ PRECAUCIÓN:**

- Este ventilador tiene un dispositivo de apagado automático del motor; puede rearmar sin aviso. Para reducir el riesgo de lesiones, desenchufe la unidad antes de hacerle servicio de ajustes y reparaciones.
- No utilice un cordón de extensión con este ventilador.

**⚠ ADVERTENCIA:** PARA REDUCIR EL RIESGO DE VUELCO DURANTE EL ALMACENAMIENTO O EL TRANSPORTE, APILE SÓLO 2 UNIDADES UNA SOBRE OTRA.

## GUARDE ESTE MANUAL

## ESPECIFICACIONES DEL MOTOR Y REQUISITOS ELÉCTRICOS

Este desplazador de aire está equipado con un motor de inducción de 115 V, 60 Hz de 3 velocidades que tiene un conductor de conexión a tierra. Está protegido térmicamente y se apagará automáticamente si se sobrecalienta. Una vez que se enfríe, el motor rearmará automáticamente si la unidad no está desenchufada.

En caso de mal funcionamiento o avería, la conexión a tierra proporciona una ruta de resistencia mínima para la corriente eléctrica con el fin de reducir el riesgo de descargas eléctricas. Este desplazador de aire está equipado con un

cordón eléctrico que tiene un conductor de conexión a tierra del equipo y un enchufe de conexión a tierra, tal como se muestra en la ilustración. El enchufe debe enchufarse en un tomacorriente coincidente que esté instalado y conectado a tierra adecuadamente, de acuerdo con todos los códigos y ordenanzas locales.

No modifique el enchufe suministrado. Si no cabe en el tomacorriente, haga que un electricista calificado instale el tomacorriente apropiado.

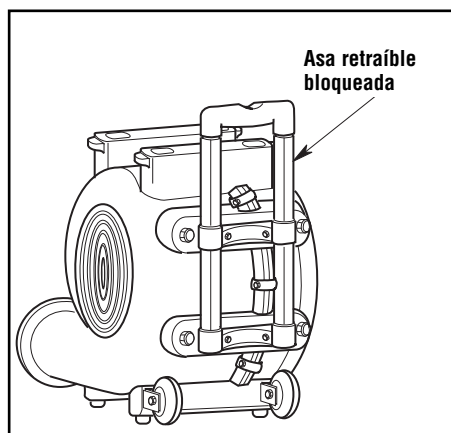
# INTRODUCCIÓN

Los desplazadores de aire están diseñados para mover grandes volúmenes de aire. Se utilizan para secar alfombras, pisos y muebles mojados. También pueden utilizarse para proporcionar ventilación.

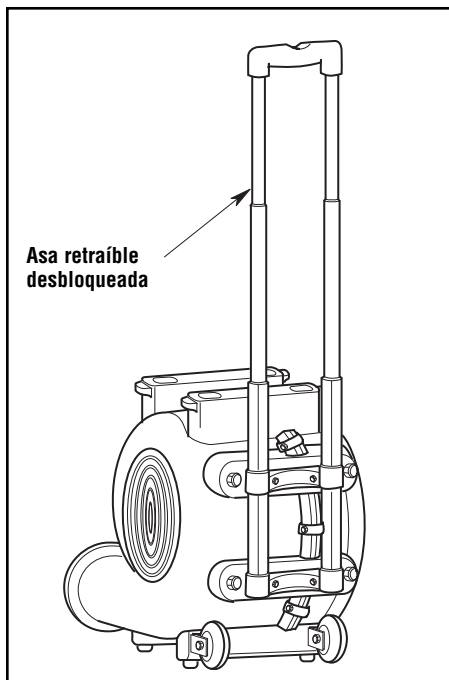
## DESEMPAQUETADO Y COMPROBACIÓN DEL CONTENIDO DE LA CAJA DE CARTÓN

Desempaque e inspeccione cuidadosamente el desplazador de aire. Llame al 1-888-455-8724 o envíenos un correo electrónico a [info@WORKSHOPvacs.com](mailto:info@WORKSHOPvacs.com) si alguna pieza está dañada o falta.

El desplazador de aire viene empacado con el asa retraíble en posición hacia abajo y bloqueada.

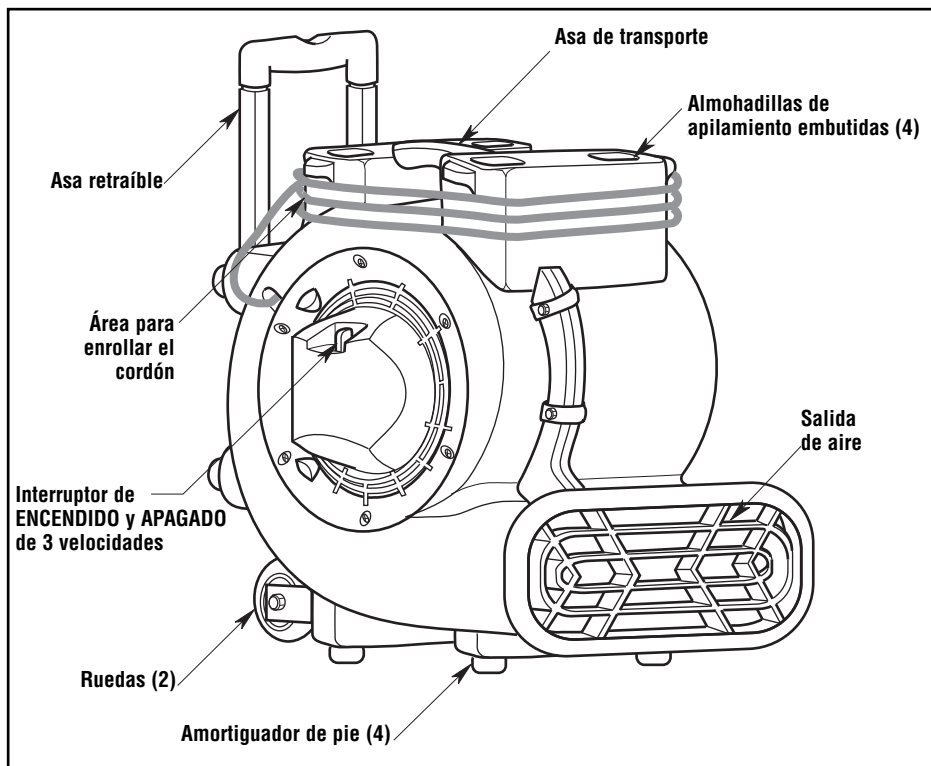


Posición del asa hacia abajo

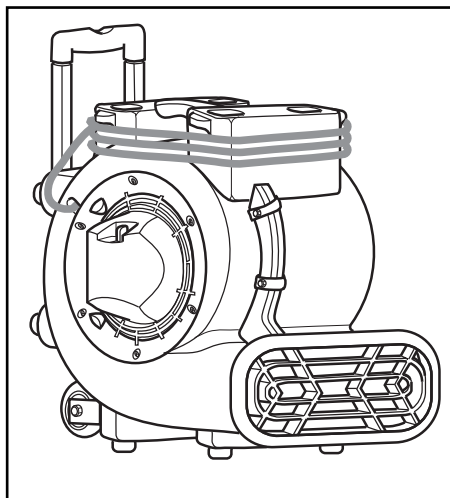


Posición del asa hacia arriba

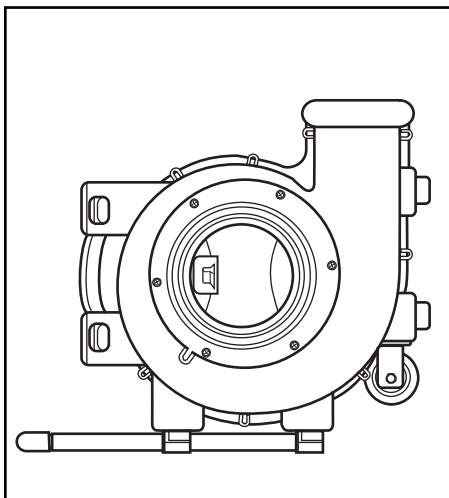
# CARACTERÍSTICAS Y UTILIZACIÓN



Coloque el desplazador de aire en la posición de funcionamiento deseada:



Piso y alfombra



A 90° para techos y ventilación

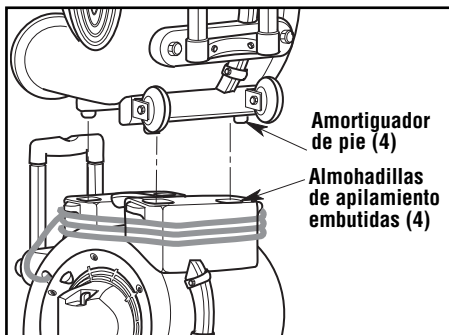
NOTA: Colapse el asa retraíble para que la unidad esté segura.

# ALMACENAMIENTO Y TRANSPORTE

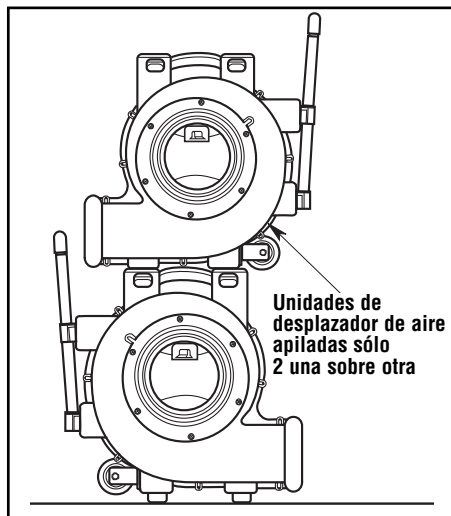
Cuando apile unidades, posicione los cuatro amortiguadores de pie sobre las almohadillas de apilamiento embutidas.

Las unidades se “apilan” convenientemente para su almacenamiento, de la manera que se muestra en la ilustración.

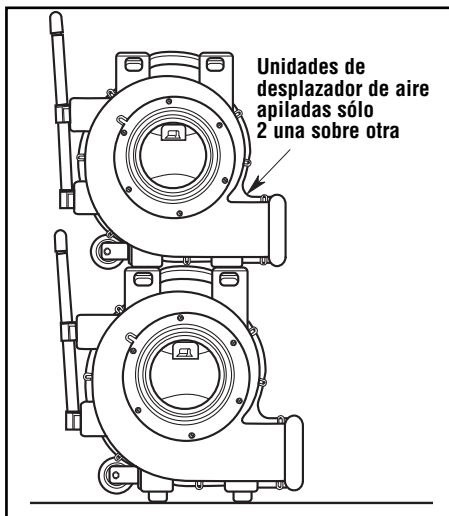
**⚠ PRECAUCIÓN:** No utilice el desplazador de aire cuando esté apilado sobre o bajo otro desplazador de aire. No apile más de 2 desplazadores de aire uno sobre otro.



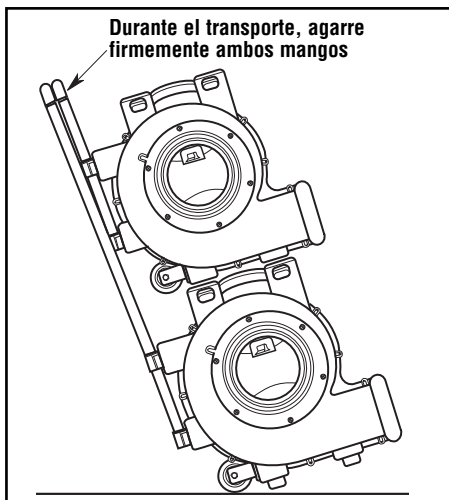
## POSICIÓN PREFERIDA



## POSICIÓN ALTERNA



Para transportar las unidades en posición apilada, extienda completamente el mango inferior del desplazador de aire. Agarre firmemente los mangos de cada unidad, incline las unidades hacia atrás y llévelas hasta la ubicación deseada.





# LIMPIEZA DEL DESPLAZADOR DE AIRE

Si la carcasa de polipropileno se ensucia, puede limpiarse usando un paño húmedo.

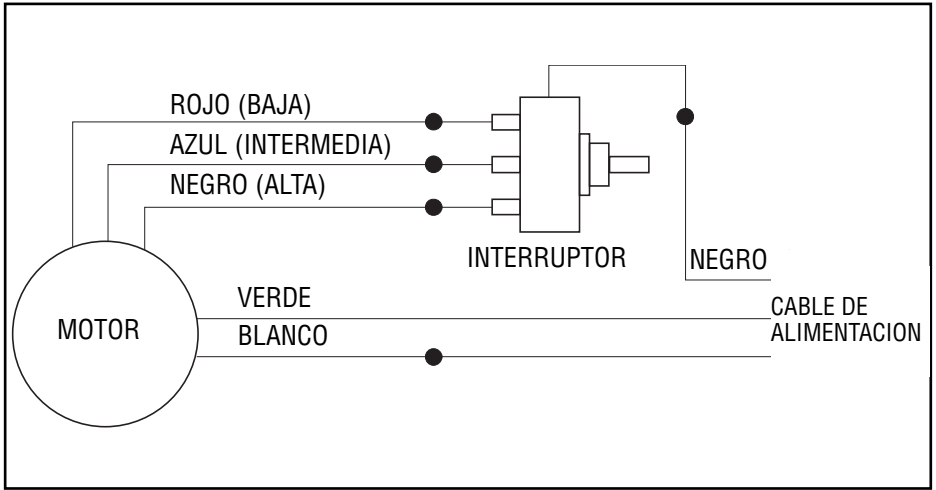
**⚠ ADVERTENCIA:** Después de hacer servicio de ajuste y reparaciones, todo dispositivo de seguridad (incluyendo las rejillas, el impulsor, etc.) se debe reinstalar o remontar.

## INSTRUCCIONES DE SERVICIO DE MANTENIMIENTO Y RESOLUCIÓN DE PROBLEMAS POR EL USUARIO

**⚠ ADVERTENCIA:** Desenchufe la unidad antes de cualquier desensamblaje o servicio de ajustes y reparaciones.

| PROBLEMA   | CAUSA  | SOLUCIÓN  |
|--|--|---|
| La unidad no funciona.   | <ol style="list-style-type: none"> <li>1. No hay alimentación eléctrica a la unidad.</li> <li>2. El interruptor no está en la posición de encendido.</li> <li>3. El interruptor está defectuoso.</li> <li>4. Cable de alimentación o cable del motor defectuoso/roto.</li> </ol>               | <ol style="list-style-type: none"> <li>1. Enchufe la unidad. Compruebe el cortacircuito.</li> <li>2. Ponga el interruptor en la posición de ENCENDIDO.</li> <li>3. Reemplace el interruptor.</li> <li>4. Realice una comprobación de continuidad, utilizando un voltímetro/ampérimetro. Repare/reemplace el cable defectuoso/roto.</li> </ol> |
| La unidad funciona pero el desplazador de aire hace un ruido de raspado intenso. | <ol style="list-style-type: none"> <li>1. La unidad ha sido golpeada severamente, haciendo que la rueda del soplador roce contra la carcasa.</li> <li>2. La unidad ha sido golpeada severamente, haciendo que la carcasa se deforme.</li> </ol>  | <ol style="list-style-type: none"> <li>1. Retire el motor y reemplace la montura o monturas del motor dañadas, según sea necesario.</li> <li>2. Reemplace la rueda del soplador o la carcasa dañada.</li> </ol>   |
| La unidad funciona pero vibra excesivamente.                                     | <ol style="list-style-type: none"> <li>1. Un golpe severo ha doblado el eje del motor, haciendo que la unidad esté desbalanceada.</li> <li>2. Hoja de la rueda del soplador dañada.</li> <li>3. Suciedad acumulada en un lado de la rueda del soplador del desplazador de aire.</li> </ol>     | <ol style="list-style-type: none"> <li>1. Retire y reemplace el motor.</li> <li>2. Reemplace la rueda del soplador si es necesario.</li> <li>3. Limpie las hojas de la rueda del soplador.</li> </ol>   |
| La unidad funciona pero la rueda del soplador no gira.                           | <ol style="list-style-type: none"> <li>1. La rueda del soplador está atorada contra la carcasa.</li> <li>2. El cable del capacitor se ha roto o se ha aflojado, el capacitor ha fallado.</li> <li>3. La carcasa ha sido dañada, de manera que presiona sobre la rueda del soplador.</li> </ol> | <ol style="list-style-type: none"> <li>1. Retire el motor y reemplace las monturas del motor dañadas. Reemplace la rueda del soplador si es necesario.</li> <li>2. Repare/reemplace los cables/el motor según sea necesario.</li> <li>3. Reemplace la carcasa/unidad según sea necesario.</li> </ol>  |
| La unidad funciona brevemente y luego se apaga en sobrecarga.                    | <ol style="list-style-type: none"> <li>1. Los cojinetes del motor están fallando o el motor ha desarrollado una falla eléctrica interna.</li> <li>2. La rejilla de la entrada y/o la rejilla de la salida está obstruida.</li> </ol>   | <ol style="list-style-type: none"> <li>1. Reemplace el motor.</li> <li>2. Retire la obstrucción.</li> </ol>   |

# DIAGRAMA DE CABLEADO



# GARANTÍA LIMITADA DE WORKSHOP®

Esta garantía limitada es ofrecida por Emerson Tool Company, una división de Emerson Electric Co., radicada en la dirección que se indica más abajo (“ETC” o “nosotros” o “nuestro” o “nuestra”) y se aplica a nuestras aspiradoras para mojado/seco de la marca WORKSHOP (colectivamente, el “Producto WORKSHOP®”).

Si tiene preguntas o necesita asistencia en relación con la garantía de su Producto WORKSHOP, sírvase contactar al Departamento de Servicio al Cliente de Productos WORKSHOP de ETC llamando al número gratuito o escribiendo a la dirección provista más abajo.

## Garantía limitada de WORKSHOP®

ETC, radicada en 8100 W Florissant Ave, St. Louis, MO 63136, ofrece la siguiente garantía limitada al comprador original solamente (“usted” o “su”), sujeta a las exclusiones que se describen a continuación: Su Producto WORKSHOP estará libre de defectos de material y de fabricación cuando se utilice en circunstancias normales de acuerdo con los términos establecidos en el Manual del Usuario que se le entregue a usted con el Producto WORKSHOP, durante un período de cinco (5) años a partir de la fecha de compra original (el “Período de Garantía”). Esta garantía limitada se termina si el comprador original transfiere el Producto WORKSHOP a cualquier otra persona o entidad.

## Qué no está cubierto: Exclusiones de la garantía

Esta garantía limitada no se extiende a lo siguiente y lo excluye expresamente:

- El desgaste por el uso normal y/o los aditamentos o accesorios de repuesto, incluyendo, sin limitación, cables de alimentación, mangueras, filtros y otros aditamentos o accesorios que pongamos a la venta para utilizarlos con el Producto WORKSHOP.
- Daños al motor del Producto WORKSHOP o quemadura de dicho motor que resulten del hecho de no despejar una obstrucción que ocurra durante el transcurso normal del uso.
- Pérdida del Producto WORKSHOP o daños al mismo que resulten de situaciones que estén más allá del control de ETC, incluyendo, sin limitación, uso incorrecto, accidente, abuso, descuido, negligencia (que no sea de ETC), sobreutilización más allá de la capacidad prevista según se establezca en el Manual del Usuario o modificaciones o alteraciones realizadas por alguien ajeno a ETC.
- Pérdida del Producto WORKSHOP o daños al mismo que resulten del hecho de no usar el Producto WORKSHOP de acuerdo con las instrucciones escritas, las directrices y los términos y condiciones que se establecen en el Manual del Usuario.

## Notificación de garantía limitada y procedimientos de reclamo

Si descubre dentro del Período de Garantía aplicable que su Producto WORKSHOP tiene un defecto que cree que está cubierto por esta garantía limitada, debe contactar al Departamento de Servicio al Cliente de Productos WORKSHOP de ETC llamando al (888) 455-8724 entre las horas de 8:30 a.m. y 4:30 p.m. Hora Central. Alternativamente, podrá contactar al Departamento de Servicio al Cliente de Productos WORKSHOP de ETC escribiendo a la dirección de correo electrónico indicada en su Manual del Usuario o en la página de Productos WORKSHOP del sitio Web de ETC.

Para que se procese su reclamo bajo garantía lo más rápidamente posible, sugerimos que complete la “Tarjeta de Registro” que está a su disposición en la página de Productos WORKSHOP del sitio Web de ETC en [www.WORKSHOPvac.com](http://www.WORKSHOPvac.com). Si opta por no registrar su Producto WORKSHOP, para presentar un reclamo bajo garantía tendrá que proporcionarnos una copia de su recibo de venta u otro comprobante de compra que muestre la fecha de compra, para confirmar que su reclamo está dentro del Período de Garantía y que usted es el comprador original.

# GARANTÍA LIMITADA DE WORKSHOP®

## Qué haremos para corregir los problemas

Después de que usted haya contactado al Departamento de Servicio al Cliente de Productos WORKSHOP de ETC conforme a los procedimientos que anteceden, ETC iniciará los procedimientos de la garantía, incluyendo una inspección física, sujeto a las exclusiones y al Período de Garantía que se establecen en este documento, para determinar si reparar o reemplazar el Producto WORKSHOP o darle a usted un reembolso.

La decisión de reparar o reemplazar su Producto WORKSHOP o darle un reembolso es a nuestra discreción exclusiva. La reparación o los reemplazos que ETC le provea a usted son sin costo alguno para usted si están cubiertos bajo esta garantía limitada. La cobertura bajo esta garantía limitada está condicionada en todo momento a que el comprador original cumpla con la notificación de garantía limitada que antecede y los correspondientes procedimientos de reclamo.

Si su reclamo está cubierto bajo esta garantía limitada, nosotros, a nuestra opción exclusiva (a) repararemos o reemplazaremos la porción defectuosa de su Producto WORKSHOP o (b) reemplazaremos todo su Producto WORKSHOP. Si no podemos proporcionarle un Producto WORKSHOP reparado o de repuesto que sea adecuado, le daremos un reembolso igual al precio de compra de su Producto WORKSHOP o un crédito para utilizarlo hacia la compra de un Producto WORKSHOP nuevo.

## No se aplica ninguna otra garantía expresa

LAS GARANTÍAS LIMITADAS PROVISTAS MÁS ARRIBA SON LAS GARANTÍAS ÚNICAS Y EXCLUSIVAS OFRECIDAS POR ETC AL COMPRADOR ORIGINAL DEL PRODUCTO WORKSHOP Y SUSTITUYEN A TODAS LAS DEMÁS GARANTÍAS, ESCRITAS U ORALES, EXPRESAS O IMPLÍCITAS, TANTO SI SURGEN POR EFECTO DE LA LEY COMO DE OTRA MANERA, INCLUYENDO, SIN LIMITACIÓN, LAS GARANTÍAS DE COMERCIALIZACIÓN O IDONEIDAD PARA UN PROPÓSITO ESPECÍFICO, TANTO SI EL PROPÓSITO HA SIDO REVELADO COMO SI NO LO HA SIDO Y SI EL PRODUCTO WORKSHOP HA SIDO O NO HA SIDO DISEÑADO O FABRICADO ESPECÍFICAMENTE PARA USO POR USTED O PARA EL PROPÓSITO QUE USTED TENGA. LOS DESCARGOS DE RESPONSABILIDADES DE LAS GARANTÍAS IMPLÍCITAS, INCLUYENDO SIN LIMITACIÓN LAS GARANTÍAS IMPLÍCITAS DE COMERCIALIZACIÓN E IDONEIDAD PARA UN PROPÓSITO ESPECÍFICO, NO ENTRARÁN EN VIGOR HASTA EL FINAL DEL PERÍODO DE GARANTÍA. Ningún empleado, agente, distribuidor u otra persona está autorizado a alterar esta garantía limitada u ofrecer cualquier otra garantía en nombre de ETC. Los términos de esta garantía limitada no serán modificados por ETC, el propietario original o sus respectivos sucesores o cesionarios.

## Limitación de responsabilidad

EN LA MEDIDA EN QUE ESTÉ PERMITIDO POR LA LEY, ETC NO SERÁ RESPONSABLE EN NINGÚN CASO POR DAÑOS INCIDENTALES, ESPECIALES, INDIRECTOS O EMERGENTES, INCLUYENDO CUALQUIER PÉRDIDA ECONÓMICA, TANTO SI RESULTA DE BAJO RENDIMIENTO, USO, USO INCORRECTO O INCAPACIDAD PARA UTILIZAR EL PRODUCTO WORKSHOP, COMO SI SE DEBE A LA NEGLIGENCIA DE ETC. ETC NO SERÁ RESPONSABLE POR DAÑOS CAUSADOS POR LA DEMORA EN EL RENDIMIENTO DEBIDO Y EN NINGÚN CASO, INDEPENDIEMENTE DE LA FORMA DEL RECLAMO O LA CAUSA DE ACCIÓN (TANTO SI SE BASA EN CONTRATO COMO EN INFRACCIÓN, NEGLIGENCIA, RESPONSABILIDAD ESTRICTA, OTRO AGRAVIO O CUALQUIER OTRA COSA), LA RESPONSABILIDAD DE ETC HACIA USTED O CUALQUIER PERSONA QUE UTILICE EL PRODUCTO WORKSHOP EXCEDERÁ EL PRECIO PAGADO POR EL PROPIETARIO ORIGINAL POR EL PRODUCTO WORKSHOP. La expresión "daños emergentes" incluirá, pero no estará limitada a, pérdida de ganancias anticipadas, interrupción del negocio, pérdida de uso o ingresos, costo de capital o pérdida de bienes o equipos o daños a los mismos.

Algunos estados no permiten la exclusión ni la limitación de los daños incidentales o emergentes, por lo que es posible que la limitación que antecede no tenga aplicación en el caso de usted.

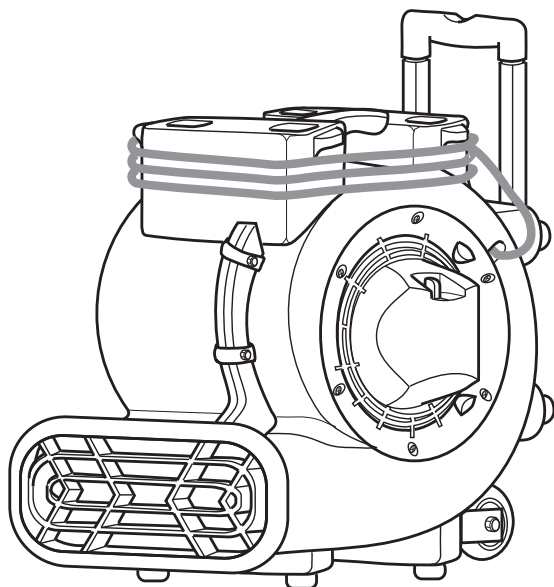
Esta garantía limitada le confiere a usted derechos legales específicos y es posible que usted tenga también otros derechos que varían de un estado a otro.

# WORKSHOP<sup>®</sup> MD

## WET/DRY VACS

### MODE D'EMPLOI

- Appareil de ventilation à trois vitesses
- WS1625AM0



EN CAS DE QUESTIONS OU POUR OBTENIR DES INFORMATIONS,  
VEUILLEZ NOUS CONTACTER AU :  
1-888-455-8724 depuis les États-Unis et le Canada  
[www.WORKSHOPvacs.com](http://www.WORKSHOPvacs.com)

**⚠ AVERTISSEMENT :**

Pour réduire le risque de blessure, l'utilisateur doit lire et comprendre le mode d'emploi avant d'utiliser ce produit.

- Español - página 11

**CONSERVER CE MANUEL POUR RÉFÉRENCE FUTURE**

# TABLE DES MATIÈRES

| Sujet  | Page | Sujet  | Page |
|--|------|--|------|
| Instructions importantes relatives à la sécurité . . . . .         | 22   | Nettoyage de votre appareil de ventilation . . . . .                               | 27   |
| Spécifications du moteur et caractéristiques électriques . . . . . | 23   | Entretien par l'utilisateur/Instructions pour le dépannage . . . . .               | 27   |
| Introduction . . . . .   | 24   | Schéma de câblage . . . . .  | 28   |
| Déballage et contrôle du contenu du carton . . . . .               | 24   | Garantie . . . . .   | 29   |
| Caractéristiques et fonctionnement . . . . .                       | 21   | Pièces de rechange . . . . .   | 31   |
| Rangement et transport . . . . .                                   | 26   | Réparation de l'aspirateur de liquides et de poussières doublement isolé . . . . . | 31   |

## INSTRUCTIONS IMPORTANTES RELATIVES À LA SÉCURITÉ

La sécurité est une combinaison de trois facteurs : faire preuve de bon sens, être vigilant et savoir comment l'appareil de ventilation fonctionne.

### Termes de signalisation de questions de sécurité

**⚠ DANGER** : indique une situation dangereuse qui, si elle n'est pas évitée, causera la mort ou une blessure grave.

**⚠ AVERTISSEMENT** : indique une situation dangereuse qui, si elle n'est pas évitée, risque de **causer** la mort ou une blessure grave.

**⚠ MISE EN GARDE** : indique une situation dangereuse qui, si elle n'est pas évitée, pourrait causer une blessure légère ou modérée.

Il faut suivre les précautions fondamentales en matière de sécurité lors de l'utilisation de l'appareil de ventilation, notamment :

### ⚠ AVERTISSEMENT

– Pour réduire le risque d'incendie, de choc électrique ou de blessure :

- Il faut lire et comprendre ce mode d'emploi et toutes les étiquettes figurant sur l'appareil de ventilation avant de l'utiliser.
- N'utilisez l'appareil de ventilation que comme cela est décrit dans ce mode d'emploi.
- Pour réduire le risque de choc électrique, n'exposez pas à la pluie et empêchez l'entrée de liquides dans le compartiment du moteur. Rangez à l'intérieur.
- Ne branchez que dans des prises protégées par un disjoncteur de fuite à la terre.
- Ne pas empiler plus de deux appareils de ventilation les uns sur les autres.
- N'utilisez pas de rallonge avec cet appareil de ventilation.
- Les appareils électriques risquent de mettre feu aux vapeurs ou poussières inflammables. Ne pas utiliser à proximité de liquides, gaz ou poussières combustibles.

- Ne pas laisser l'appareil branché dans une prise de courant quand il n'est pas utilisé ou pendant la réalisation d'une opération de maintenance. Il faut l'éteindre avant de le débrancher.
- Pour réduire le risque de soulever de la poussière et d'inhaler des vapeurs toxiques, ne pas utiliser à proximité de matières toxiques ou dangereuses.
- Ne jamais utiliser avec les grilles de protection retirées.
- Cet appareil est muni d'un mécanisme de protection à fonctionnement automatique qui peut éteindre l'appareil de ventilation pendant le fonctionnement. Il faut débrancher l'appareil avant de le nettoyer ou d'effectuer une opération de maintenance.
- Ne pas utiliser cet appareil avec un dispositif de commande de la vitesse à semi-conducteurs.
- Ne laissez pas les enfants se servir de l'appareil comme d'un jouet. Il faut surveiller de très près quand il est utilisé par des enfants ou à proximité d'enfants.
- Ne débranchez pas en tirant sur le cordon. Pour débrancher, saisissez la fiche – pas le cordon.
- N'utilisez pas l'appareil avec une fiche, un cordon ou un autre composant endommagé.
- Si votre appareil ne fonctionne pas comme il faut, s'il manque des pièces, s'il quelqu'un l'a laissé tomber, s'il est endommagé, s'il a été laissé à l'extérieur ou s'il est tombé dans de l'eau, téléphonez au service d'assistance à la clientèle.
- Ne tirez pas l'appareil et ne le portez pas par son cordon, n'utilisez pas le cordon pour servir de poignée, ne fermez pas une porte sur le cordon et ne laissez pas le cordon tendu passer sur des bords ou des coins tranchants. Ne traînez pas l'appareil sur son cordon. Maintenez le cordon à distance des surfaces chauffées.
- Ne pas acheminer le cordon sous de la moquette. Ne pas recouvrir le cordon par des tapis, des thibaudes ou des tissus d'ameublement similaires. Ne pas faire passer le cordon

audessous de meubles ou d'appareils électroménagers. Arranger le cordon de façon qu'il ne soit pas dans des endroits très fréquentés et qu'il ne risque pas de faire trébucher des gens.

- Ne pas manipuler la fiche de l'appareil de ventilation avec des mains mouillées
- Ne soulevez pas l'appareil de ventilation à l'aide de sa poignée escamotable.
- N'utilisez pas la poignée escamotable et les roues pour aider à transporter l'appareil en montant ou en descendant les escaliers.
- Ne pas utiliser cet appareil comme un diable ou un chariot de manutention.
- Ne pas insérer de quelconques objets à l'intérieur des orifices de prise d'air.
- Gardez les cheveux, les vêtements flottants, les doigts et toutes les parties du corps à distance des orifices et des pièces mobiles.
- Ne dirigez la décharge d'air que vers la zone de travail. Ne dirigez pas l'air vers des personnes présentes à proximité.

#### **▲ MISE EN GARDE :**

- Portez un masque antipoussières en cas d'utilisation dans un environnement poussiéreux.
- Ne pas déplacer ou transporter l'appareil de ventilation pendant qu'il est en service.
- Ne l'utiliser que sur une surface horizontale et stable pour l'empêcher de tomber et de risquer de causer des blessures ou d'endommager l'appareil lui-même.

Observer les avertissements suivants, qui figurent sur le carter du moteur de votre appareil de ventilation :

**▲ AVERTISSEMENT : Pour réduire le risque de choc électrique, ne brancher l'appareil de ventilation que dans une prise protégée par un disjoncteur de fuite à la terre. Ne pas exposer à l'eau ou à la pluie.**

#### **▲ MISE EN GARDE :**

- **Ce ventilateur est muni d'un dispositif de fermeture automatique du moteur ; il risque de se remettre en marche sans avertissement. Pour réduire le risque de blessure, débrancher avant d'effectuer une quelconque opération d'entretien.**
- **Ne pas utiliser de cordon de rallonge avec ce ventilateur.**

**▲ AVERTISSEMENT : POUR RÉDUIRE LE RISQUE DE RENVERSEMENT PENDANT LE RANGEMENT OU LE TRANSPORT, N'EMPILER QUE DEUX APPAREILS L'UN SUR L'AUTRE AU MAXIMUM.**

## CONSERVER CE MANUEL

## SPÉCIFICATIONS DU MOTEUR ET CARACTÉRISTIQUES ÉLECTRIQUES

Cet appareil de ventilation est pourvu d'un moteur à induction à trois vitesses de 115 volts, 60 Hz, avec un conducteur de mise à la terre. Il est protégé thermiquement et s'éteindra automatiquement en cas de surchauffe. Une fois refroidi, le moteur se remettra automatiquement en marche s'il n'a pas été débranché.

En cas de fonctionnement défectueux ou de panne de l'appareil, il est recommandé de prévoir une mise à la terre qui fournira un chemin de moindre résistance pour le courant électrique afin de réduire le risque de choc électrique. Cet appareil de

ventilation est muni d'un cordon électrique comportant un conducteur de mise à la terre pour les équipements et d'une fiche de mise à la terre, comme on peut le voir sur l'illustration. La fiche doit être branchée dans une prise de courant correspondante qui est installée correctement et mise à la terre conformément aux dispositions de toutes les ordonnances et de tous les codes locaux.

Il ne faut pas modifier la fiche fournie. Si elle n'est pas compatible avec la prise de courant, demandez à un électricien agréé d'installer une prise appropriée.

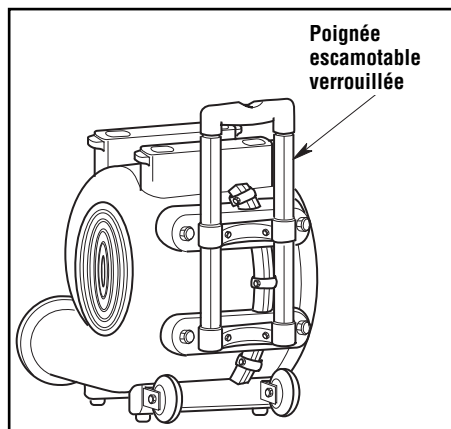
# INTRODUCTION

Les appareils de ventilation sont conçus pour déplacer de larges volumes d'air. Ils sont utilisés pour le séchage de moquettes et tapis, planchers ou meubles ayant souffert de l'humidité. Ils peuvent également servir à la ventilation.

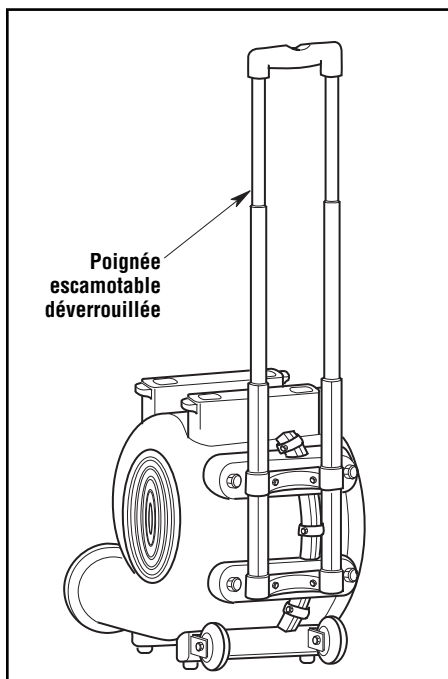
## DÉBALLAGE ET VÉRIFICATION DU CONTENU DE LA BOÎTE EN CARTON

Déballiez soigneusement votre appareil de ventilation et inspectez-le. Téléphonez au 1-888-455-8724 ou envoyez-nous un courriel à [info@WORKSHOPvacs.com](mailto:info@WORKSHOPvacs.com) si des pièces sont manquantes ou endommagées.

Votre appareil de ventilation est livré avec la poignée escamotable en position abaissée et verrouillée.



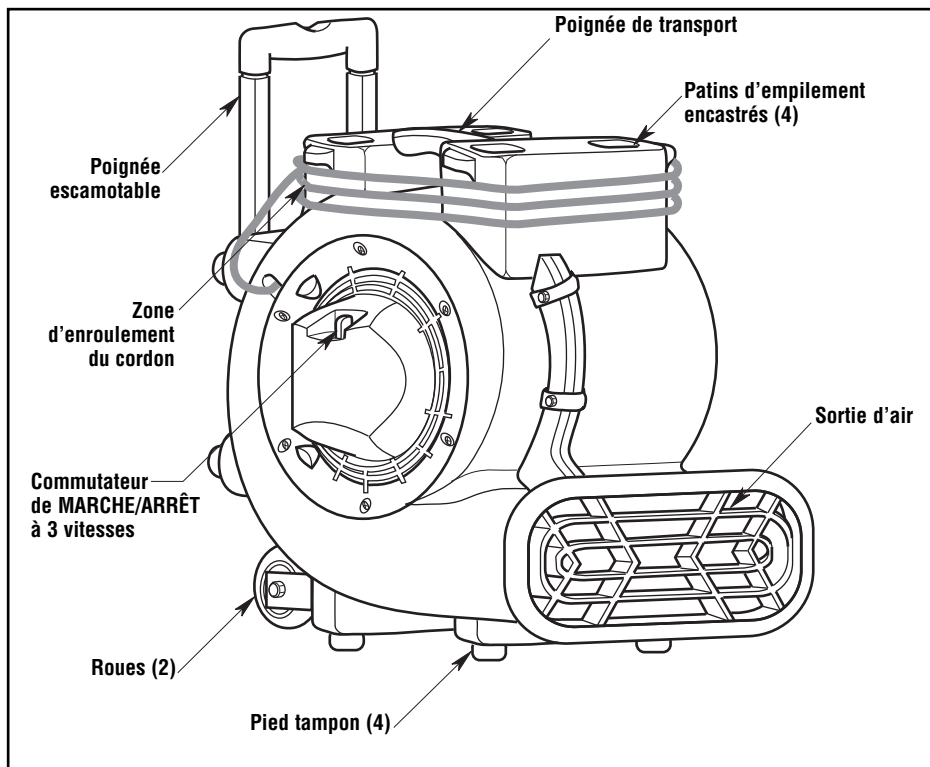
Poignée en position abaissée



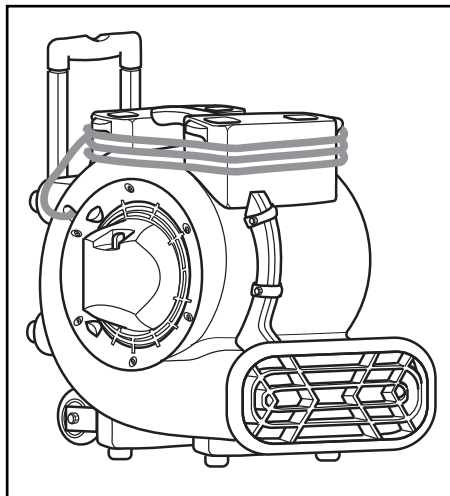
Poignée en position relevée



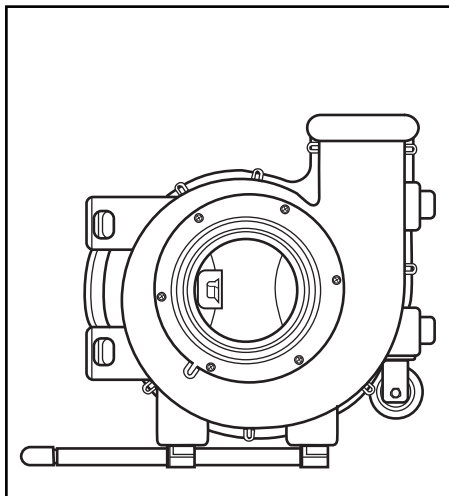
# CARACTÉRISTIQUES ET FONCTIONNEMENT



Placez l'appareil de ventilation dans la position de fonctionnement qui vous convient :



Planches, moquettes et tapis



90° pour plafonds et ventilation

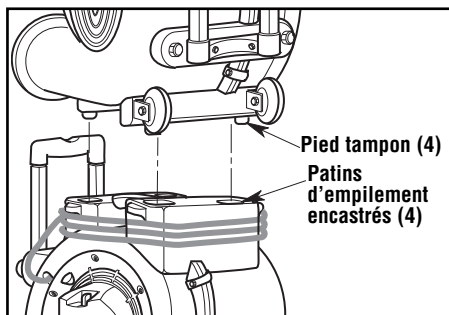
REMARQUE : réduisez la poignée escamotable pour votre sécurité.

# RANGEMENT ET TRANSPORT

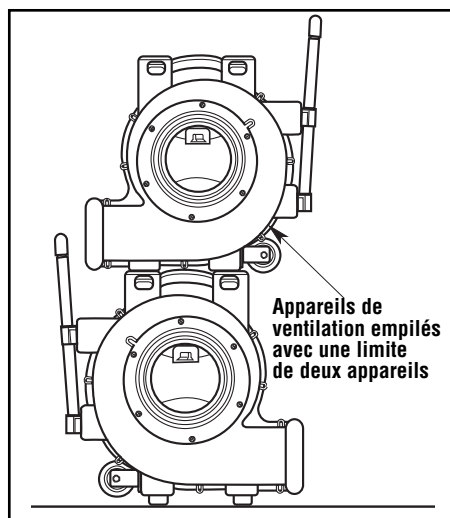
Lorsque vous empilez des appareils, positionnez les quatre pieds tampons sur les patins d'empilement encastrés.

Ces appareils « s'empilent » de façon commode pour le rangement, comme cela est illustré.

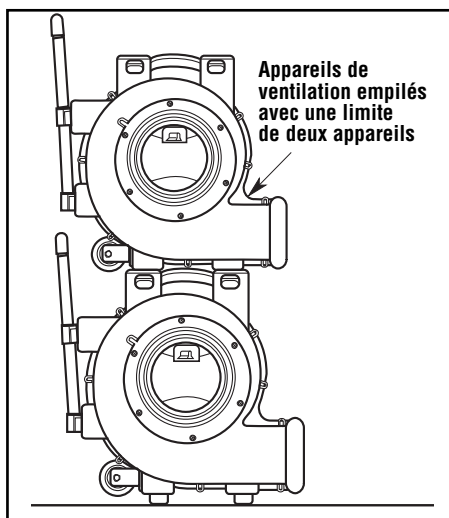
**▲ MISE EN GARDE :** Ne faites pas fonctionner les appareils de ventilation lorsqu'ils sont empilés les uns sur les autres. Ne pas empiler plus de deux de ces appareils.



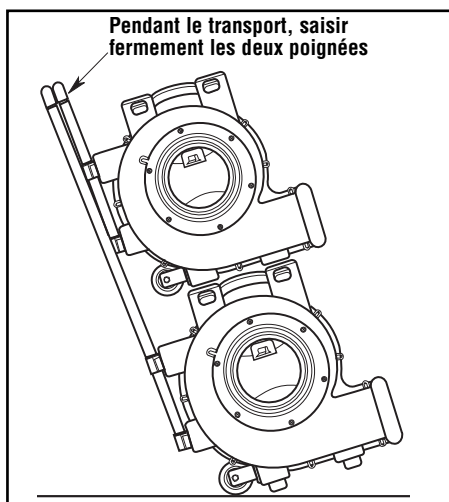
## POSITION PRÉFÉRÉE



## AUTRE POSITION POSSIBLE



Pour transporter des appareils de ventilation en position empilée, étendez complètement la poignée de l'appareil de ventilation du bas. Saisissez fermement les poignées de chaque appareil et inclinez les appareils vers l'arrière, puis transportez-les jusqu'à l'endroit désiré.



# NETTOYAGE DE VOTRE APPAREIL DE VENTILATION

Si le boîtier en polypropylène est sali, il peut être essuyé à l'aide d'un chiffon humide.

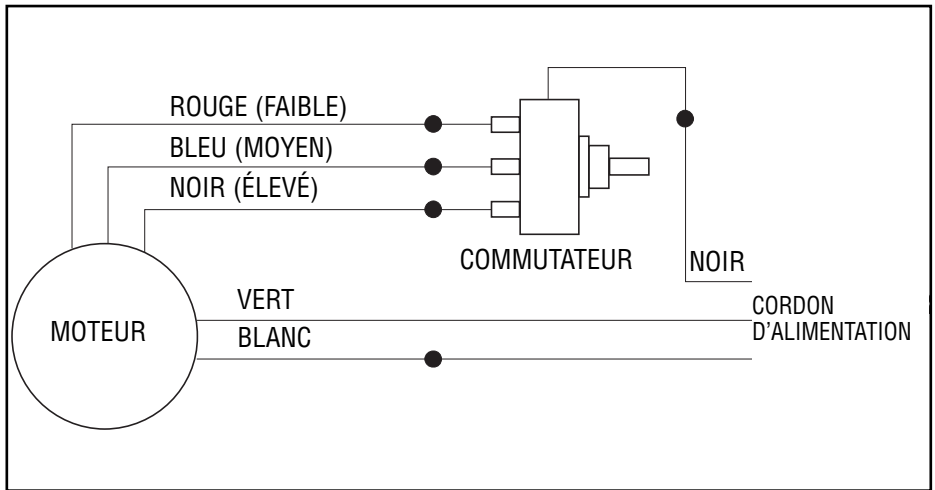
**⚠ AVERTISSEMENT :** Après toute opération d'entretien, tous les dispositifs de sécurité (y compris, les grilles, la roue, etc.) doivent être remontés ou réinstallés.

## ENTRETIEN PAR L'UTILISATEUR/INSTRUCTIONS POUR LE DÉPANNAGE

**⚠ AVERTISSEMENT :** Débrancher avant de démonter ou de réaliser une quelconque opération d'entretien.

| PROBLÈME  | CAUSE  | SOLUTION  |
|---|--|---|
| L'appareil ne se met pas en marche.   | <ol style="list-style-type: none"> <li>1. L'appareil n'est pas relié à une source d'électricité.</li> <li>2. Le commutateur n'est pas en position de marche.</li> <li>3. Le commutateur est défectueux.</li> <li>4. Le cordon ou le fil du moteur est défectueux ou cassé.</li> </ol>                                      | <ol style="list-style-type: none"> <li>1. Branchez l'appareil. Regardez le disjoncteur.</li> <li>2. Mettez le commutateur en position de marche.</li> <li>3. Remplacez le commutateur.</li> <li>4. Effectuez un contrôle de continuité en utilisant un voltmètre/ampèremètre. Réparez ou remplacez tout fil cassé ou défectueux.</li> </ol> |
| L'appareil fonctionne, mais le ventilateur fait un bruit de grattage très fort.                   | <ol style="list-style-type: none"> <li>1. L'appareil a subi des secousses entraînant des frottements de la roue de la soufflante contre son boîtier.</li> <li>2. L'appareil a subi des secousses sévères entraînant la déformation du boîtier.</li> </ol>  | <ol style="list-style-type: none"> <li>1. Enlevez le moteur et remplacez le moteur ou les supports du moteur endommagés suivant les besoins.</li> <li>2. Remplacez la roue de la soufflante ou le boîtier s'il est endommagé.</li> </ol>  |
| L'appareil fonctionne, mais avec des vibrations excessives.                                       | <ol style="list-style-type: none"> <li>1. Une secousse sévère a tordu l'arbre du moteur, et en conséquence l'appareil s'est désaxé.</li> <li>2. Une pale de la roue de soufflante est endommagée.</li> <li>3. Des saletés se sont accumulées sur un côté de la roue de soufflante de l'appareil de ventilation.</li> </ol> | <ol style="list-style-type: none"> <li>1. Retirez le moteur et remplacez-le.</li> <li>2. Remplacez la roue de soufflante si nécessaire.</li> <li>3. Nettoyez les pales de la roue de soufflante.</li> </ol>   |
| L'appareil fonctionne, mais la roue de soufflante ne tourne pas.                                  | <ol style="list-style-type: none"> <li>1. La roue de soufflante est coincée contre le boîtier.</li> <li>2. Le fil du condensateur s'est cassé/desserré ; le condensateur est tombé en panne.</li> <li>3. Le boîtier a été endommagé de telle sorte qu'il fait pression sur la roue de soufflante.</li> </ol>               | <ol style="list-style-type: none"> <li>1. Enlevez le moteur et remplacez les supports de moteur endommagés. Remplacez la roue de soufflante si nécessaire.</li> <li>2. Réparez ou remplacez les fils/le moteur suivant les besoins.</li> <li>3. Remplacez le boîtier ou l'appareil suivant les besoins.</li> </ol>                          |
| L'appareil se met en marche pendant quelques instants, puis il s'éteint pour cause de surchauffe. | <ol style="list-style-type: none"> <li>1. Les paliers du moteur sont devenus défectueux ou un défaut d'origine électrique s'est développé dans le moteur.</li> <li>2. La grille de prise d'air et/ou la grille de sortie d'air est obstruée.</li> </ol>  | <ol style="list-style-type: none"> <li>1. Remplacez le moteur.</li> <li>2. Éliminez l'obstruction.</li> </ol>   |

# SCHÉMA DE CÂBLAGE



# GARANTIE LIMITÉE WORKSHOP®

La présente garantie limitée est offerte par Emerson Tool Company, une division d'Emerson Electric Co., établie à l'adresse indiquée ci-dessous (« **ETC** » ou « **nous** » ou « **notre** » ou « **nos** ») et elle s'applique à nos aspirateurs de liquides et de poussières de la marque WORKSHOP (collectivement, le « **Produit WORKSHOP®** »).

En cas de questions, ou si vous avez besoin d'assistance en ce qui concerne la garantie de votre Produit WORKSHOP, veuillez contacter le Département du service à la clientèle d'ETC pour les produits WORKSHOP au numéro d'appel gratuit ou à l'adresse figurant ci-dessous.

## Garantie limitée WORKSHOP®

ETC, établie au 8100 W Florissant Ave., St. Louis, MO 63136, offre la garantie limitée suivante à l'acheteur original exclusivement (« **vous** » ou « **votre** ») sous réserve des exclusions décrites ci-dessous : votre Produit WORKSHOP ne comportera aucun défaut de matériau ou de fabrication en cas d'utilisation dans des conditions normales conformément aux dispositions du Mode d'emploi qui vous a été fourni avec le Produit WORKSHOP pendant une période de cinq (5) ans à compter de la date d'achat d'origine (la « **Période de garantie** »). La présente garantie limitée cesse de produire des effets si l'acheteur original cède le Produit WORKSHOP à une autre personne physique ou morale.

## Ce qui n'est pas couvert - Exclusions de la garantie

La présente garantie limitée ne couvre pas et exclut expressément :

- L'usure normale et/ou les accessoires ou éléments amovibles tels que, sans toutefois s'y limiter, les cordons d'alimentation, les tuyaux flexibles, les filtres et tous autres accessoires ou éléments amovibles que nous pouvons mettre en vente pour emploi avec le Produit WORKSHOP.
- L'endommagement ou le claquage du moteur du Produit WORKSHOP causé par le fait qu'un blocage intervenu dans le cadre d'une utilisation normale n'aurait pas été éliminé.
- La destruction ou l'endommagement du Produit WORKSHOP pour des raisons au-delà du contrôle d'ETC, y compris, sans toutefois s'y limiter, un emploi inapproprié, un accident, une utilisation abusive, de la négligence, une faute (commise par une partie autre qu'ETC), un emploi excessivement intensif allant au-delà de la capacité nominale indiquée dans votre Mode d'emploi, ou des modifications ou des altérations effectuées par toute partie autre qu'ETC.
- La destruction ou l'endommagement du Produit WORKSHOP résultant du fait que le Produit WORKSHOP n'a pas été utilisé conformément aux instructions écrites, aux directives ou aux conditions générales énoncées dans le mode d'emploi.

## Procédures de notification et de réclamation dans le cadre de la garantie limitée

Si, pendant la Période de garantie qui vous est applicable, vous découvrez que votre Produit WORKSHOP comporte un défaut qui, selon vous, est couvert par la présente garantie limitée, vous devez contacter le Département du service à la clientèle d'ETC pour les produits WORKSHOP au (888) 455-8724 entre les heures de 8h30 et de 16h30, Heure du Centre. Vous pouvez également contacter le Département du service à la clientèle d'ETC pour les Produits WORKSHOP à l'adresse courriel figurant dans votre mode d'emploi ou sur la page consacrée aux Produits WORKSHOP du site Internet d'ETC.

Pour que votre réclamation dans le cadre de la garantie puisse être traitée aussi rapidement que possible, nous vous suggérons de remplir la « Carte d'enregistrement » qui est mise à votre disposition sur la page consacrée aux Produits WORKSHOP du site Internet d'ETC à [www.WORKSHOPvac.com](http://www.WORKSHOPvac.com). Si vous décidez de ne pas enregistrer votre Produit WORKSHOP, pour pouvoir faire une réclamation dans le cadre de la garantie, vous devrez nous fournir une copie de votre reçu ou un autre justificatif d'achat montrant la date de l'achat afin de confirmer que votre réclamation est effectuée avant la fin de la Période de garantie et que vous êtes l'acheteur original.

# GARANTIE LIMITÉE WORKSHOP®

## Ce que nous ferons pour remédier aux problèmes

Après que vous aurez contacté le Département du service à la clientèle d'ETC pour les produits WORKSHOP en appliquant les procédures ci-dessus, ETC déclenchera la procédure d'application de la garantie, y compris une inspection physique, sous réserve des exclusions et en tenant compte de la Période de garantie indiquée aux présentes, afin de déterminer s'il convient de réparer ou de remplacer le Produit WORKSHOP ou de vous rembourser le prix d'achat.

La décision de réparer ou de remplacer votre Produit WORKSHOP ou de vous rembourser le prix d'achat est à notre discrétion absolue. La réparation ou le remplacement d'un Produit par ETC pour votre bénéfice ne vous coûtera rien si vous bénéficiez de la couverture de la présente garantie limitée. La couverture fournie en vertu de la présente garantie limitée ne s'applique, à tout moment, que si l'acheteur original respecte les procédures ci-dessous concernant la notification et la réclamation dans le cadre de la garantie limitée.

Si votre réclamation est couverte en vertu de la présente garantie limitée, nous nous engageons, à notre discrétion absolue, (a) à réparer ou à remplacer la partie défectueuse de votre Produit WORKSHOP ou (b) à remplacer la totalité de votre Produit WORKSHOP. Si nous ne sommes pas en mesure de mettre à votre disposition un produit WORKSHOP réparé de façon adéquate ou un Produit WORKSHOP de rechange, nous vous fournirons un remboursement d'un montant égal au prix d'achat de votre Produit WORKSHOP ou un crédit que vous pourrez utiliser pour acheter un nouveau Produit WORKSHOP.

## Aucune autre garantie expresse ne s'applique

LES GARANTIES LIMITÉES FOURNIES CI-DESSUS SONT LES GARANTIES UNIQUES ET EXCLUSIVES FOURNIES PAR ETC À L'ACHETEUR ORIGINAL DU PRODUIT WORKSHOP, ET ELLE REMPLACE TOUTES LES AUTRES GARANTIES, ÉCRITES OU ORALES, EXPRESSES OU TACITES, QU'ELLES S'APPLIQUENT DE PLEIN DROIT OU AUTREMENT, Y COMPRIS, SANS TOUTEFOIS S'Y LIMITER, LES GARANTIES DE QUALITÉ MARCHANDE OU D'ADÉQUATION À UN BUT PARTICULIER, QUE LEDIT BUT AIT ÉTÉ DIVULGUÉ OU NON, ET QUE LE PRODUIT WORKSHOP AIT ÉTÉ CONÇU OU FABRIQUÉ SPÉCIFIQUEMENT POUR VOTRE EMPLOI OU POUR VOTRE BUT. LES REJETS DE GARANTIES TACITES, Y COMPRIS, SANS TOUTEFOIS S'Y LIMITER, LES GARANTIES TACITES DE QUALITÉ MARCHANDE ET D'ADÉQUATION À UN BUT PARTICULIER, N'ENTRERONT PAS EN VIGUEUR AVANT LA FIN DE LA PÉRIODE DE GARANTIE. Aucun employé, agent, distributeur ou autre personne n'est autorisé à altérer la présente garantie limitée ou à offrir une quelconque autre garantie au nom d'etc. Les dispositions de la présente garantie limitée ne peuvent être modifiées ni par ETC, ni par le propriétaire original, ni par leurs successeurs ou ayants droit respectifs.

## Limitation de responsabilité

DANS LA MESURE AUTORISÉE PAR LA LOI, ETC NE SAURAIT EN AUCUN CAS ÊTRE RESPONSABLE DE QUELCONQUES DOMMAGES ACCESSOIRES, SPÉCIAUX, INDIRECTS OU SECONDAIRES, Y COMPRIS UNE QUELCONQUE PERTE MONÉTAIRE, QUE CE SOIT EN CONSÉQUENCE D'UNE IMPOSSIBILITÉ DE FAIRE FONCTIONNER OU D'UTILISER LE PRODUIT WORKSHOP, D'UNE UTILISATION INAPPROPRIÉE, DE L'INCAPACITÉ D'UTILISER LE PRODUIT WORKSHOP OU DE FAUTE DE LA PART D'ETC. ETC NE SERAIT ÊTRE RESPONSABLE DE PRÉJUDICES CAUSÉS PAR UN RETARD D'EXÉCUTION ET, EN AUCUN CAS, QUELLE QUE SOIT LA FORME DE LA REVENDICATION OU LA CAUSE DE L'ACTION (QU'ELLE SOIT DE NATURE CONTRACTUELLE OU QU'ELLE RÉSULTE D'UNE VIOLATION, D'UNE CONTREFAÇON, D'UNE FAUTE, D'UNE NÉGLIGENCE, D'UN CAS DE RESPONSABILITÉ SANS FAUTE OU QU'ELLE AIT UNE AUTRE BASE DÉLICTUELLE OU QUASI-DÉLICTUELLE), LA RESPONSABILITÉ D'ETC ENVERS VOUS OU TOUTE PERSONNE UTILISANT LE PRODUIT WORKSHOP NE SAURAIT DÉPASSER LE PRIX PAYÉ PAR LE PROPRIÉTAIRE ORIGINAL POUR LE PRODUIT WORKSHOP. L'expression « dommages indirects » inclura notamment, sans toutefois s'y limiter, la perte de bénéfices attendus, l'interruption des affaires, la perte d'utilisation ou de revenus, le coût du capital ou la destruction ou l'endommagement de biens ou équipements.


Étant donné que certains États ou certaines provinces ne permettent pas l'exclusion ou la limitation de dommages indirects ou secondaires, il est possible que la limitation ci-dessus ne s'applique pas à vous.

La présente garantie limitée vous confère des droits légaux particuliers, et il est possible que vous bénéficiez d'autres droits qui varient d'un État à l'autre ou d'une province à l'autre.

# REPAIR PARTS

## ▲ WARNING


### SERVICING OF DOUBLE-INSULATED WET/DRY VAC

In a double-insulated Wet/Dry Vac, two systems of insulation are provided instead of grounding. No grounding means is provided on a double-insulated appliance, nor should a means for grounding be added. Servicing a double-insulated Wet/Dry Vac requires extreme care and knowledge of the system, and should be done only by qualified service personnel. Replacement parts for a double-insulated Wet/Dry Vac must be identical to the parts they replace. Your double-insulated Wet/Dry Vac is marked with the words "DOUBLE INSULATED" and the symbol  (square within a square) may also be marked on the appliance.

To reduce the risk of injury from electrical shock, unplug power cord before servicing the electrical parts of the Wet/Dry Vac.

## ▲ ADVERTENCIA


### SERVICIO DE AJUSTES Y REPARACIONES DE UNA ASPIRADORA PARA MOJADO/SECO CON AISLAMIENTO DOBLE

En una aspiradora para mojado/seco con aislamiento doble se proporcionan dos sistemas de aislamiento en vez de conexión a tierra. No se proporciona ningún medio de conexión a tierra en un aparato electrodoméstico con aislamiento doble, ni se debe añadir a éste ningún medio de conexión a tierra. El servicio de ajustes y reparaciones de una aspiradora para mojado/seco con aislamiento doble requiere extremado cuidado y conocimiento del sistema, y debe ser realizado únicamente por personal de servicio competente. Las piezas de repuesto para la aspiradora para mojado/seco con aislamiento doble deben ser idénticas a las piezas que reemplazan. La aspiradora para mojado/seco con aislamiento doble está marcada con las palabras "DOUBLE INSULATED" (con aislamiento doble) y puede que el símbolo  (un cuadrado dentro de un cuadrado) también esté marcado en los aparatos.

Para reducir el riesgo de lesiones por causa de descargas eléctricas, desenchufe el cordón de energía antes de hacer servicio de ajustes y reparaciones a las piezas eléctricas de la aspiradora para mojado/seco.

## ▲ AVERTISSEMENT

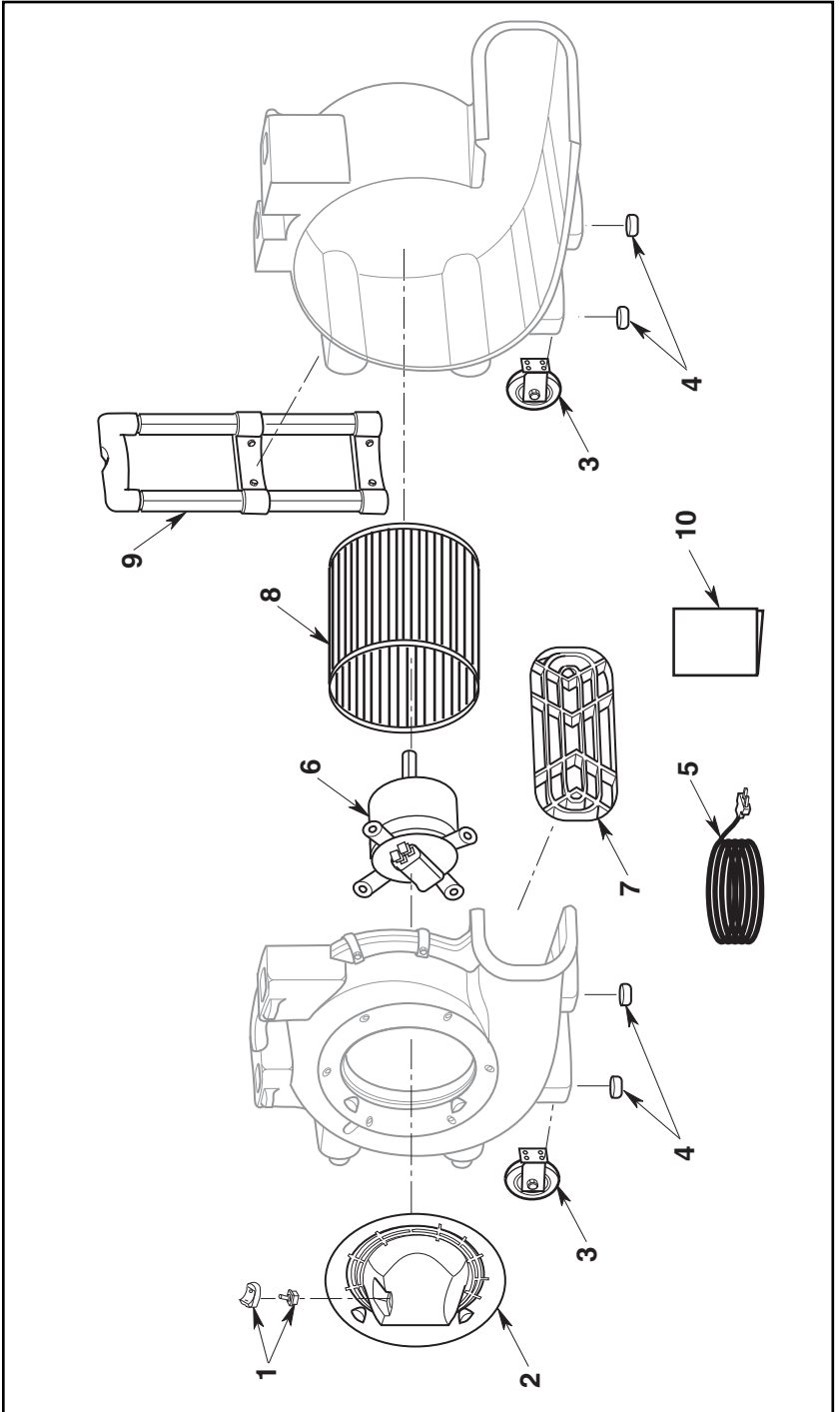
### RÉPARATION DE L'ASPIRATEUR DE LIQUIDES ET DE POUSSIÈRES DOUBLEMENT ISOLÉ

Dans un aspirateur de liquides et de poussières doublement isolé, deux systèmes d'isolation sont fournis au lieu de la mise à la terre. Aucun moyen de mise à la terre n'est prévu sur un appareil électro-ménager doublement isolé, et il ne faut pas en ajouter. La réparation d'un aspirateur de liquides et de poussières doublement isolé nécessite une connaissance approfondie du système et la prise de précautions extrêmes. Une telle réparation ne doit être entreprise que par un technicien agréé. Les pièces de rechange pour un aspirateur de liquides et de poussières doublement isolé doivent être les mêmes que les pièces qu'elles remplacent. Les mots « DOUBLE INSULATED » (Doublement isolé) figurent sur l'aspirateur de liquides et de poussières doublement isolé, et le symbole  (un carré à l'intérieur d'un autre carré) peut également figurer sur les appareils.

Pour réduire le risque de blessures causées par les chocs électriques, débranchez le cordon d'alimentation avant de réparer les éléments électriques de l'aspirateur de liquides et de poussières.

# REPAIR PARTS

Three Speed Air Mover  
Model Number: WS1625AM0  
[www.WORKSHOPVacs.com](http://www.WORKSHOPVacs.com)





**Three Speed Air Mover**  
**Model Number: WS1625AM0**  
**www.WORKSHOPvacs.com**  
**Always order by Part Number - Not by Key Number**

# REPAIR PARTS

| Key No. | Part Number | Description          | Descripción                        | Description            |
|---------|-------------|----------------------|------------------------------------|------------------------|
| 1       | 510141      | Switch & Knob        | Interruptor y pomo                 | Commutateur et bouton  |
| 2       | 833658      | Grille, Inlet        | Rejilla de la entrada              | Grille de prise d'air  |
| 3       | 510140      | Wheel Assembly       | Conjunto de rueda                  | Ensemble de roue       |
| 4       | 833690      | Foot Bumper (4 pack) | Amortiguador de pie (paquete de 4) | Pied tampon (4 pièces) |
| 5       | 833675      | Cord w/Plug          | Cable de alimentación con enchufe  | Cordon avec fiche      |
| 6       | 833674      | Motor                | Motor                              | Moteur                 |
| 7       | 833659      | Grille, Exhaust      | Rejilla de la salida               | Grille de sortie d'air |
| 8       | 833660      | Blower Wheel         | Rueda del soplador                 | Roue de soufflante     |
| 9       | 833691      | Handle               | Asa                                | Poignée                |
| 10      | SP6850      | Owner's Manual       | Manual del usuario                 | Mode d'emploi          |

**THIS PAGE INTENTIONALLY LEFT BLANK**

**THIS PAGE INTENTIONALLY LEFT BLANK**



**EMERSON™**  
**Commercial & Residential Solutions**

© 2013 Emerson

Part No. SP6850

Form No. SP6850-1

Printed in Mexico 08/13