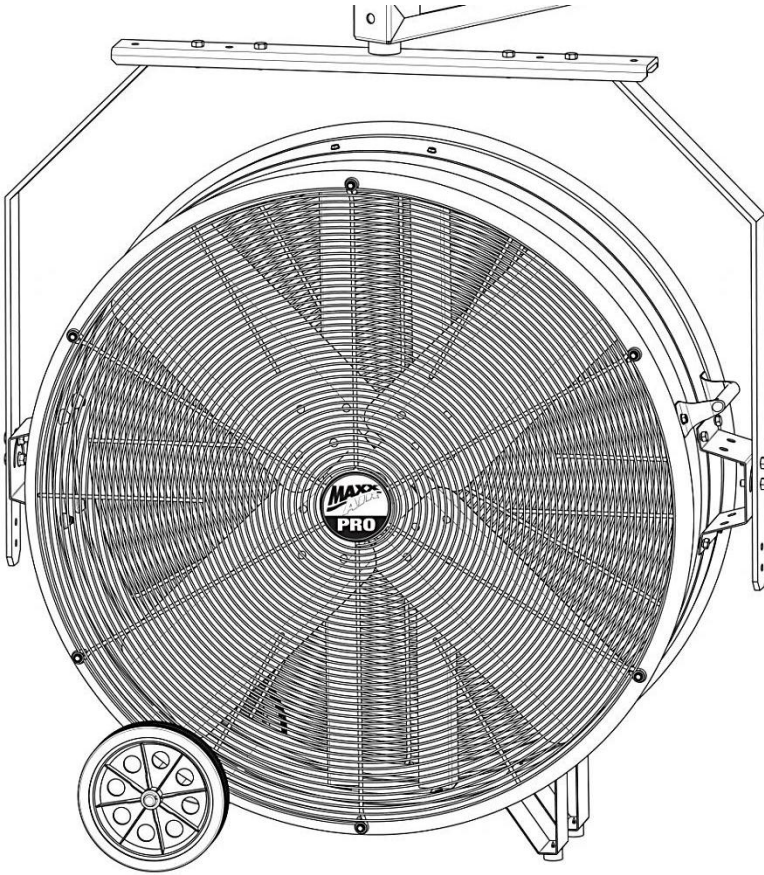




PART NUMBER – XXWBRKT3042

HANGING BRACKET ASSEMBLY

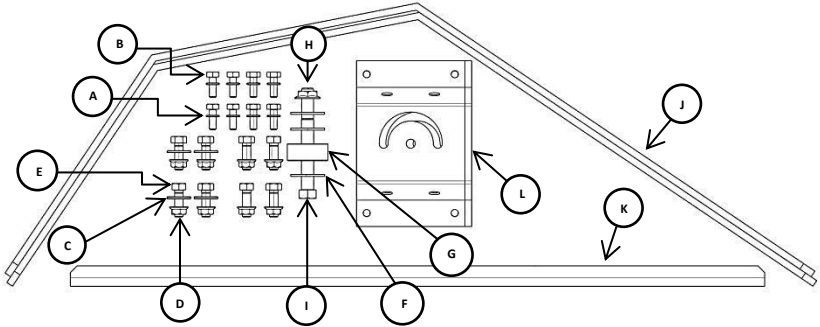
**INSTRUCTIONS FOR BF30DDORGPRO and
BF42BDORGPRO FANS**



RECOMMENDED TOOLS *(Not included)*

- Safety Glasses
- Combination Wrenches (7/16", 1/2", 5/8")
- Socket Wrench
- Sockets (7/16", 1/2", 5/8")

Carefully follow the instructions below to safely install your hanging bracket assembly.



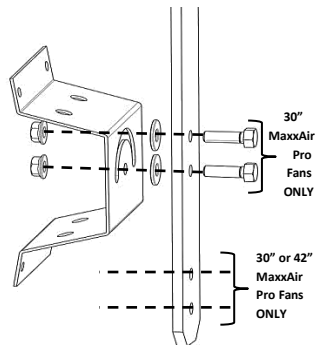
UNPACK AND CHECK THE CONTENTS. YOUR ASSEMBLY SHOULD INCLUDE:

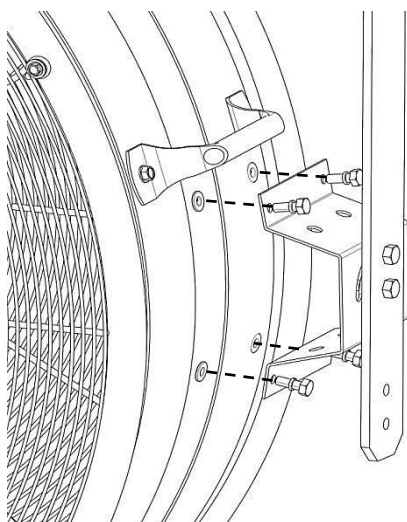
- | | |
|---|---|
| <ul style="list-style-type: none"> A. (8) 1/4 Spring Lock Washers B. (8) 1/4-20 X 0.75" Hex Bolts C. (4) 5/16 Flat Washers D. (8) 5/16-18 Flange Nuts With Nylon Inserts E. (8) 5/16-18 X 1.0" Hex Bolts F. (3) 7/16 Flat Washers | <ul style="list-style-type: none"> G. (1) 7/16 X 0.625" Rubber Washer H. (1) 7/16-14 Flange Nut With Nylon Insert I. (1) 7/16-14 X 3.75" Hex Bolt (All Thread) J. (2) Side Hanging Brackets K. (1) Top Hanging Bracket L. (2) Swivel Brackets |
|---|---|

STEP 1

Depending on the fan you will be using for your hanging bracket assembly, the hole configuration may change. Review picture to the right for correct placement of your fan.

Connect **(1)** "J" Bracket to **(1)** "L" Bracket using **(2)** "C" Washers, **(2)** "D" Flange Nuts, and **(2)** "E" Hex Bolts with a 1/2" wrench. Repeat this process for the remaining Side Hanging Bracket and Swivel Bracket.





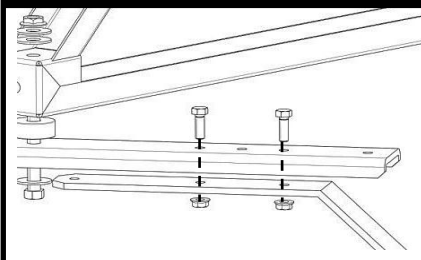
STEP 2

Attach a Swivel Bracket to your barrel fan's hardware receivers using **(4)** "A" Lock Washers and **(4)** "B" Hex Bolts with a 7/16" wrench. Attach your bolts loosely until all 4 are in their receivers, then tighten completely. Repeat this process for the other side of your fan.

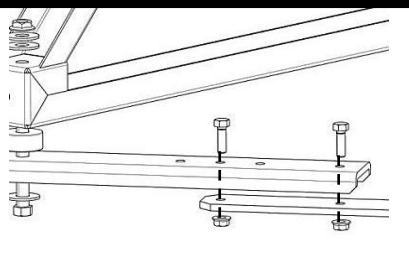
STEP 3

Depending on the fan you will be using for your hanging bracket assembly, the hole configuration may change. Review the pictures below for correct placement of your fan.

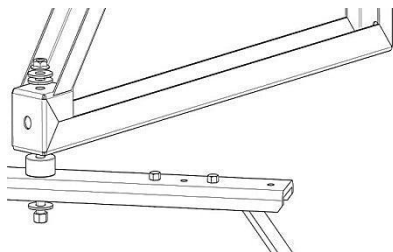
CONFIGURATION A – For 30" MaxxAir Pro Fans ONLY



CONFIGURATION B – For 42" MaxxAir Pro Fans ONLY



STEP 4



Lift the barrel fan with the assembly and attach the Top Hanging Bracket to your mounting bracket—already installed in your desired location—using **(3)** "F" Washers, **(1)** Rubber Washer "G", **(1)** "H" Flange Nut, and **(1)** Hex Bolt "I" with a 5/8" wrench.

VENTAMATIC, LTD. LIMITED WARRANTY

Ventamatic, Ltd. extends this warranty to the original retail purchaser of its model or, if this unit is purchased and installed by a building contractor, then to the original owner of the home. No subsequent purchaser of the unit or of a home which it is installed is entitled to any of the benefits of this warranty.

This product is warranted against defects in materials and workmanship for a period of one (1) year from the date of original retail purchase. No other parts or components are warranted. There is no warranty for defects caused by abuse, faulty installation, or the like. Repairs or replacement parts supplied under this warranty are warranted only for the period of this warranty; that is, one (1) year from the date of the original retail purchase of the unit.

In the event of a defect or malfunction, we will replace or repair the defective part or component only and return the new or repaired part to you freight prepaid. You must bear all other expenses incurred in obtaining repairs, including labor required for old repair or replacement, and the cost of shipping the defective part to us. You must also bear the cost of repair to or replacement of any part or component and the shipping charges incurred for the repair or replacement and return to you of any part or component not covered by this warranty, including parts or components damaged by you.

The company reserves the right to demand and receive written evidence of the date of purchase before undertaking to perform its obligations under this warranty. You should, therefore, retain your sales slip and attach a copy of it to the warranty claim. In order to obtain the repair or replacement of this unit, you must select one of the following methods:

A. Return to factory.

Return postage prepaid only the part or component which you believe to be defective to the following address:

Ventamatic, Ltd.
100 Washington Street
Mineral Wells, TX 76067

*Complete and enclose a written claim
and attach a copy of your sales slip or
other proof of purchase.

B. Return to retail dealer.

If the retail dealer from whom you purchased this unit stocks replacement parts or components, you may return a part or component which you believe to be defective to that dealer for replacement.

CAUTION: ONLY A LIMITED NUMBER OF OUR RETAIL DEALERS STOCK REPLACEMENT PARTS. IF YOUR DEALER DOES NOT, YOU MUST RETURN THE PART TO THE FACTORY FOLLOWING THE PROCEDURE DESCRIBED IN PARAGRAPH "A" ABOVE.

There is no informal dispute settling mechanism available in the event of a controversy involving this warranty.

Any and all implied warranties which may exist terminate upon the expiration of this warranty one (1) year from the date of the original retail purchase. Some states do not allow limitations on how long an implied warranty lasts, so this limitation may not apply to you.

Ventamatic, Ltd. is not liable to you for incidental or consequential damages arising out of a defect or malfunction of a unit or its installation or out of any alleged breach of this warranty. Some states do not allow the exclusion or limitation of incidental or consequential damages, so this limitation may not apply to you.

This warranty gives you specific legal rights and you may also have other rights which may vary from state to state.