

Recommendations

The following design recommendations are intended only as a general guideline to assist in the design and selection of venting components for your installation. Always read and follow DuraVent Installation instructions before installing your chimney system (found with the cap or support box). Installation instructions can be viewed online at www.duravent.com, under Catalogs and Instructions.

- Size the vent to meet the appliance manufacturer's specifications.

- Avoid long runs and excessive use of elbows. Refer to the appliance manufacturer for minimum rise and maximum run configurations for the venting system.

- Use an Appliance Adapter to ensure a proper connection to the appliance. Seal adapter to appliance with high temperature sealant.

- Use a Single Tee with Clean-Out Tee Cap to facilitate easy cleaning. It is recommended to use a tee off the back of an appliance.

- In the United States and Canada, maintain the minimum 1" clearance (air space) from vent pipe to combustibles. Use proper support and bracing. Follow local building codes and have your venting system inspected. Be fire safe!

PelletVent®

PelletVent is a venting system for stoves and inserts that use wood pellets or oil fuel.

PelletVent is UL listed for 1" clearance to combustibles in the USA. Its double-wall, air-insulated design offers superior performance. PelletVent seams are factory-sealed on all elbows, tees, and fittings.

Since the introduction of pellet stoves in the 1980's, DuraVent is recognized as the industry leader in venting systems for pellet stoves. Today, approximately 3 of every 4 pellet stoves in the US are vented with a DuraVent pellet system. Not approved for use in Canada.



PelletVent Kit

3" Kit #3PVL-KHA

4" Kit #4PVL-KHA



Both 3" and 4" diameter kits include:

- Round Horizontal Cap
- 90° Elbow, Tee with Clean-out Cap
- Wall Strap
- Five (5) 12" Pipe Lengths
- Appliance Adapter
- Wall Thimble

Note: 4" Kit includes a 3"-4" Appliance Adapter/Incraser

Additional pipe may be needed

Contact

Professional Technical Help

DuraVent prides itself on providing the best customer service and technical support in the industry.

Our Customer Support Team is available to answer technical questions.

Monday – Friday
5:30am – 4pm PST | 8:30am – 7pm EST

Tel: 800-835-4429
Fax: 707-446-4740
customerservice@duravent.com

ITEM	3"Ø	4"Ø	PRICE	QTY	TOTAL
PelletVent for Multi-fuel Horizontal Kit	3PVL-KHA	4PVL-KHA			
Straight Length Pipe	6"	3PVL-06	4PVL-06		
	12"	3PVL-12	4PVL-12		
	24"	3PVL-24	4PVL-24		
	36"	3PVL-36	4PVL-36		
	60"	3PVL-60	4PVL-60		
Adjustable Length Pipe	12"	3PVL-A12	4PVL-A12		
	60"	3PVL-60F	4PVL-60F		
Flex Pipe	3PVL-60F	4PVL-60F			
Appliance Adapter	3PVL-AD	4PVL-AD			
Appliance Adapter/Incraser	3" - 4"	3PVL-X4AD	-		
45° Elbow	3PVL-E45	4PVL-E45			
90° Elbow	3PVL-E90	4PVL-E90			
Tee with Clean-out Cap	3PVL-T	4PVL-T			
Clean-out Cap	3PVL-CO	4PVL-CO			
Incraser Tee with Clean-out Cap		4PVL-T3			
Vertical Cap	3PVL-VC	4PVL-VC			
Round Horizontal Cap	3PVL-HCR	3PVL-HCR			
Square Horizontal Cap	3PVL-HSC	4PVL-HSC			
Wall Thimble, black	3PVL-WT	4PVL-WT			
Ceiling Support Firestop Spacer	3PVL-FS	4PVL-FS			
Wall Strap	3PVL-WS1R	4PVL-WS1R			
Cathedral Ceiling Support Box, black	3PVL-CS	4PVL-CS			
House Shield	3PVL-HS	4PVL-HS			
Storm Collar	3PVL-SC	4PVL-SC			
Attic Insulation Shield	3" - 4"	3PVL-IS	-		
Adjustable Roof Flashing (0/12 - 6/12)		3PVL-F	4PVL-F		
Tall Cone Roof Flashing		3PVL-FF	4PVL-FF		
Pipe Incraser	3" - 4"	3PVL-X4	-		
	6"	3PVL-X6	4PVL-X6		
Chimney Adapter	8"	3PVL-X8	4PVL-X8		
TOTAL \$					



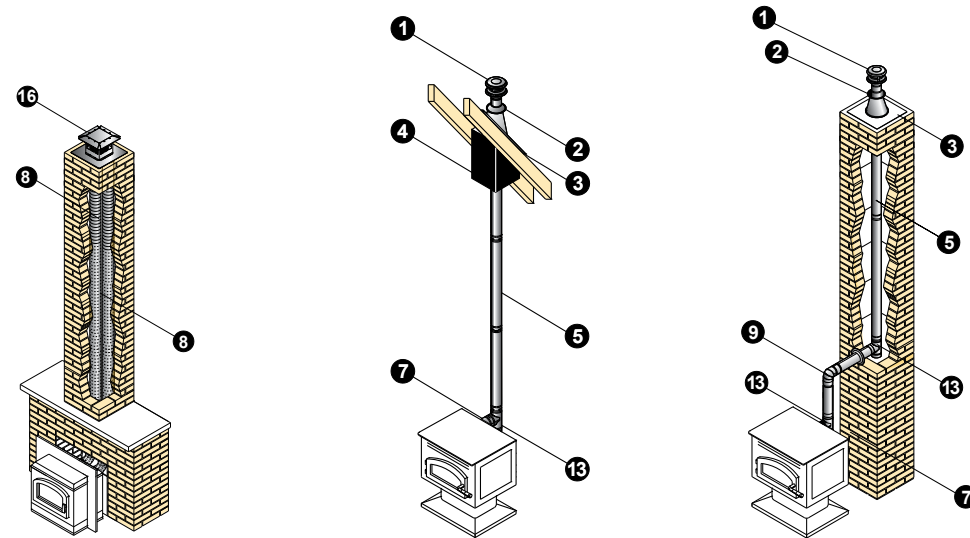
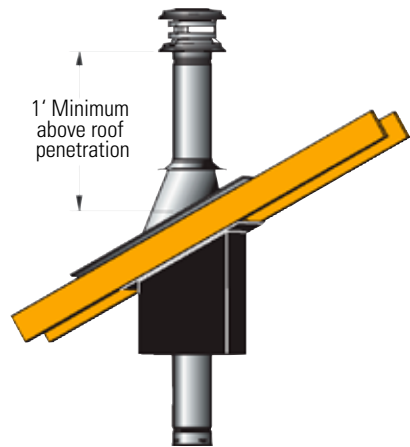
PelletVent for Multi-fuel system. Listed to UL 641, ULC S609, S635, and ULC/ORD C441.

PelletVent® Guide

DuraVent®

Your Installation

Step 1.	Refer to the Typical PelletVent Installations diagram, on the opposite page, to be familiar with some of the standard PelletVent installations and the required component parts.
Step 2.	For a horizontal termination, you will need a Wall Thimble and a Horizontal Cap. The cap must be installed with a 6" clearance to the outside wall (refer to appliance manufacturer's installation instructions for other clearances).
Step 3.	For a vertical termination, you will need a Cathedral Ceiling Support Box or Flat Ceiling Support, Attic Insulation Shield (if passing through an attic), Flashing, Storm Collar, and Vertical Cap.
Step 4.	Determine the length of PelletVent pipe required. For a vertical termination, measure the pitch of the roof and select the proper flashing. The required minimum height above the roof is 12".
Step 5.	Pellet stove inserts in masonry fireplaces will require a flex pipe to snake the vent past the smoke shelf. For transition from PelletVent to an existing DuraPlus, DuraPlus HTC, or DuraTech Chimney, a Chimney Adapter is available.
Step 6.	For vertical rise of PelletVent on the outside of the house, Wall Straps should be used at 4' intervals to provide proper support.
Step 7.	Important! Check to be sure that the appliance and the venting system are in compliance with all minimum clearance to combustible requirements.



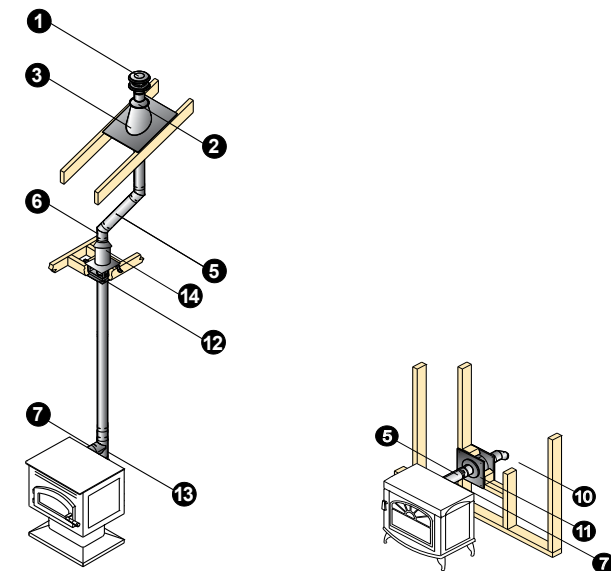
Pellet Insert

Cathedral Ceiling Stove Installation

Masonry Chimney Relining

- Refer to our Typical Venting Installation drawings to select the appropriate component parts for your installation.
- The inner pipe diameter should match the outlet size of the appliance. For installations that require 4" vent and the appliance has a 3" outlet, use an Increaser Adapter 3"-4".
- Check the appliance manufacturer's installation instructions to confirm which types of vent configurations are permitted (i.e. horizontal, vertical, chimney reline, etc.). Also, check for any venting restrictions such as maximum horizontal run, minimum and maximum vertical rise, maximum offset, etc.
- Be fire safe! Maintain the minimum clearances (air-space) between the vent pipe and nearby combustibles, as specified in the appliance manufacturer's installation instructions. Use proper support and bracing. Follow local building codes and have your venting system inspected.

1	Vertical Cap
2	Storm Collar
3	Flashing
4	Cathedral Ceiling Support Box
5	Pipe
6	45° Elbow
7	Appliance Adapter
8	60" Flexible Length
9	90° Elbow
10	Round Horizontal Cap
11	Wall Thimble
12	Ceiling Support Firestop Spacer
13	Tee w/Clean-Out Tee Cap
14	Wall Strap
15	Attic Insulation Shield



Attic Offset

Through-the-Wall Vertical Rise

PelletVent® Quick And Easy Installation

The following is a brief overview of a typical installation. Detailed installation instructions can be found at www.duravent.com.



1. Locate appliance and penetration through wall.
2. Cut and frame wall penetration.
3. Apply high temperature silicone sealant to the appliance outlet.
4. Slide appliance adapter onto the appliance outlet and secure with at least one screw.
5. Slide outside portion of the wall thimble into the framing. Level and attach to wall.



6. Level and attach inside portion of the wall thimble to the wall.
7. Slide pipe through the wall thimble and attach to the appliance adapter on the stove collar.
8. Attach tee and vertical pipe with elbow at the top.
9. Plumb pipe and secure pipe to the wall with wall strap.
10. Attach horizontal cap to the top elbow.