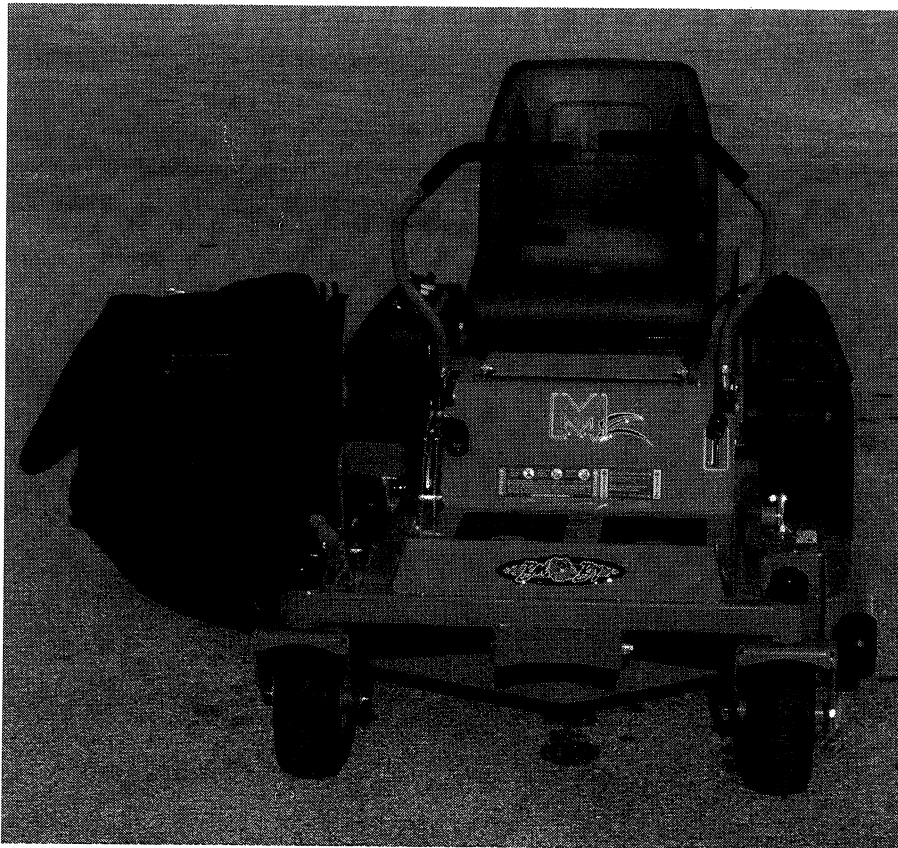


Bad Boy 'M' Series Mowers



Side Catcher Installation and Operating Instructions

3.75 Bu Capacity

42" & 48" Decks

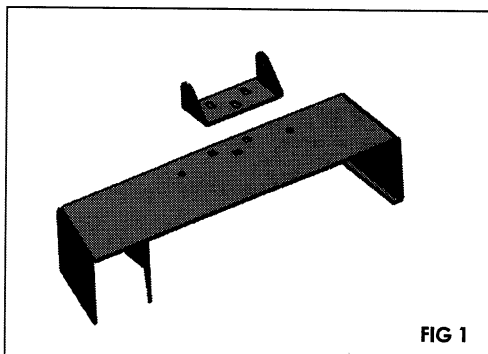
Bad Boy 3.75 Bu Side Catcher Installation

42" & 48" Decks

Installation Instructions:

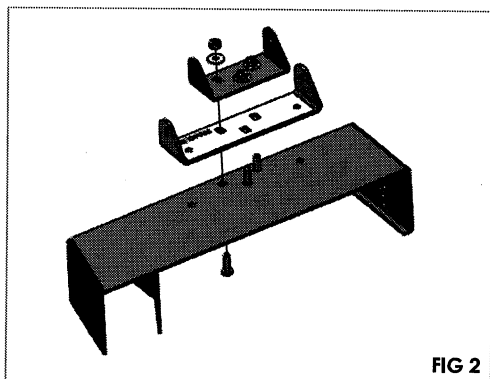
STEP 1 (FIG 1)

1. Remove Factory Discharge Chute and Deck Bracket
2. Save Deck Bracket, Discard hardware



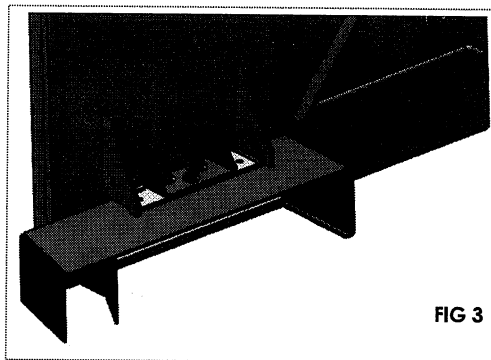
STEP 2 (FIG 2)

1. Align Catcher Mount Bracket to the existing holes in Deck
2. Place the Factory Deck Bracket on top of the Catcher Mount Bracket and align to existing holes in the deck
3. Insert the three bolts from under the deck and thru both Deck Brackets
4. Install Washers and Nuts and tighten loosely



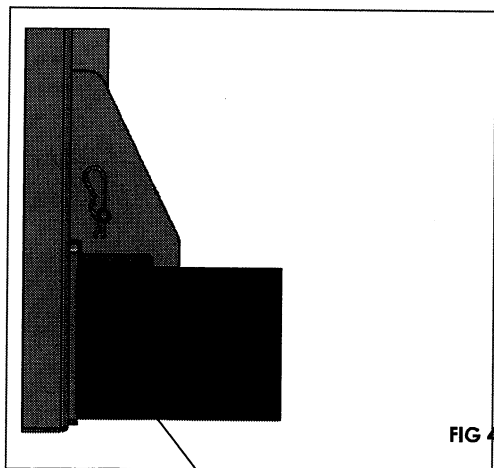
STEP 3 (FIG 3)

1. Install Back plate with the ears to the outside of the Catcher Mount Bracket and align thru holes
2. Insert the 'L' Pin thru both brackets
3. Secure with hairpin
4. Adjust Deck Brackets so the Back plate is flush to the Discharge edge of the mower deck (Fig 4)
5. Once the Deck Brackets are positioned, tighten all hardware at this time



Discharge Chute MUST be installed when not using Side Catcher.

Discharge Chute may be installed using 'L' Pin.

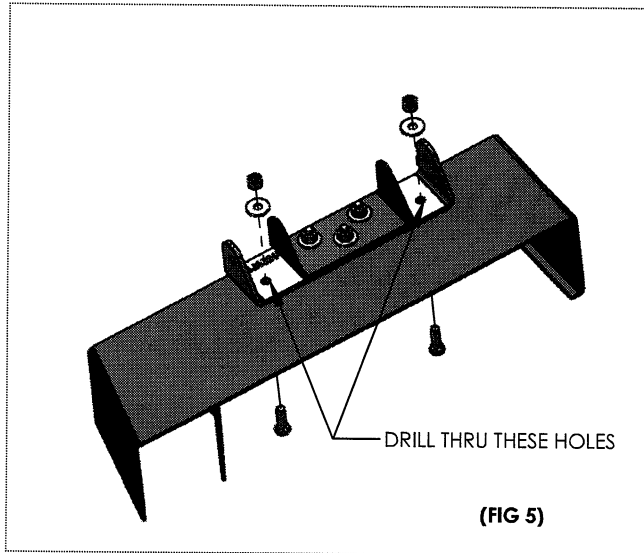


ENSURE A TIGHT SEAL HERE

Bad Boy 3.75 Bu Side Catcher Installation

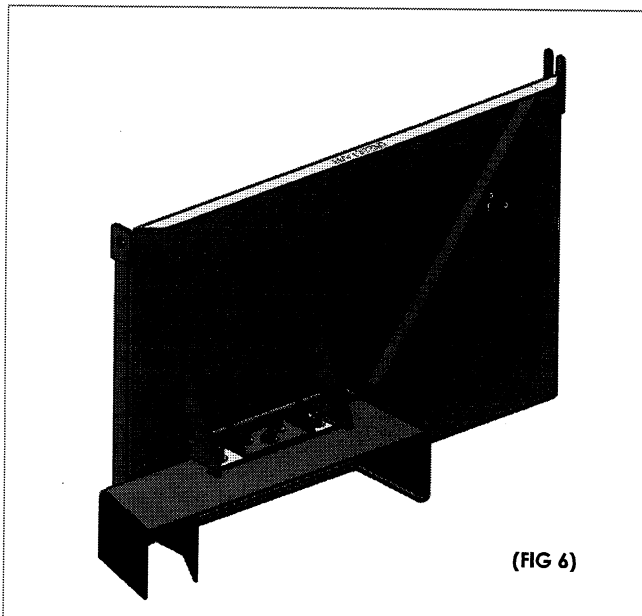
42" & 48" Decks

Installation Instructions: (continued)



STEP 4 (FIG 5)

1. With the Bracket hardware fully tightened, Drill the two remaining holes for a 5/16" Bolt
2. Install the remaining two Bolts thru the deck and thru the Deck Bracket
3. Install the Washers and Nuts
4. Tighten installed hardware at this time

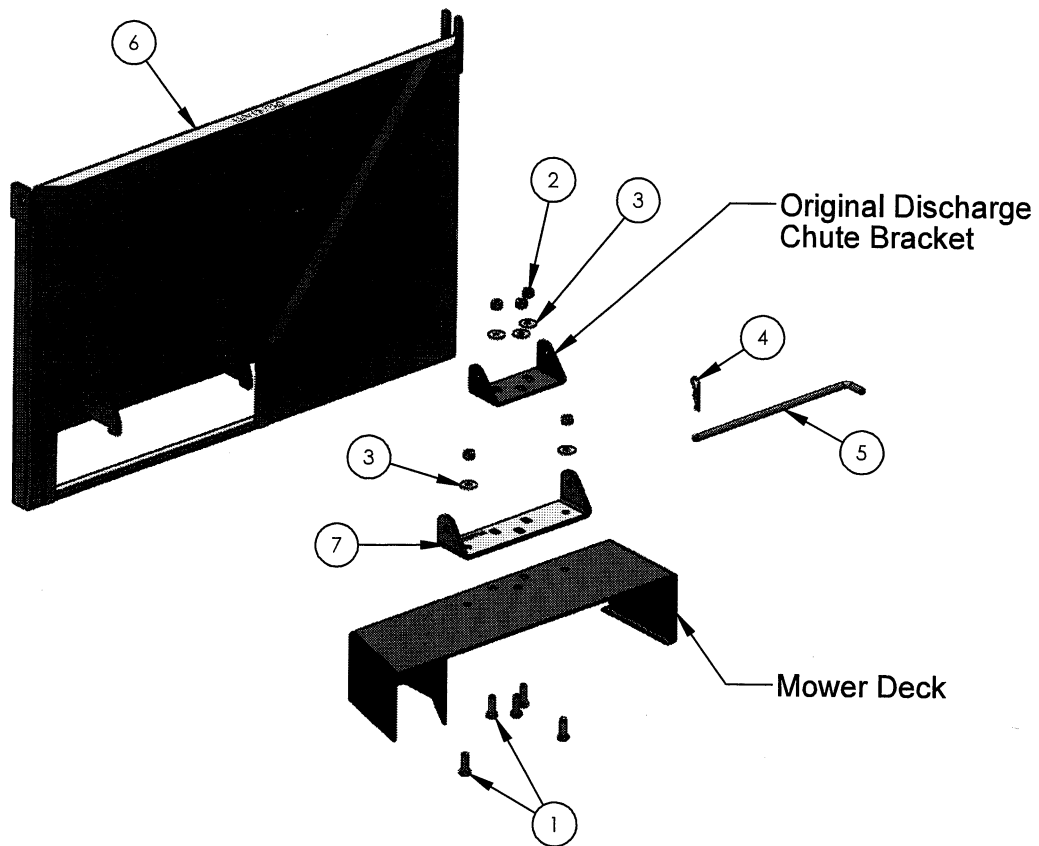


STEP 5 (FIG 6)

1. Once all hardware is installed and tight, place the Back plate onto the Deck Bracket as shown in Step 3, and secure with 'L' Pin and Hairpin
2. Install the Catcher Bag by inserting the leading post thru the round hole on the top of the Back plate, then slide the rear post into the slot at the rear of the back plate
3. Make sure the Rope is secured to the handle and accessible from the Operators Seat

Bad Boy 3.75 Bu Side Catcher Parts List

42" & 48" Decks



ITEM NO.	PART NUMBER	DESCRIPTION	QTY.
1	FAS150800	CAP SCREW 5/16-18 x 1	5
2	FAS150801	5/16-18 Nylon Insert Nut	5
3	FAS150812	5/16" Flat Washer	5
4	FAS150831	HAIR PIN, 0.091 x 1.875	1
5	FRA150709	Mounting 'L' Pin 5/16" x 10" EL	1
6	FRA153370	Bad Boy SC Assy 42-48	1
7	FRA153371	Bad Boy SC Deck Bracket 42-48	1