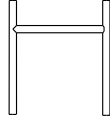

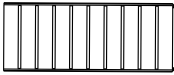


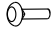
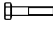




PLATFORM & RAMP

ASSEMBLY MANUAL

SKU#1125412

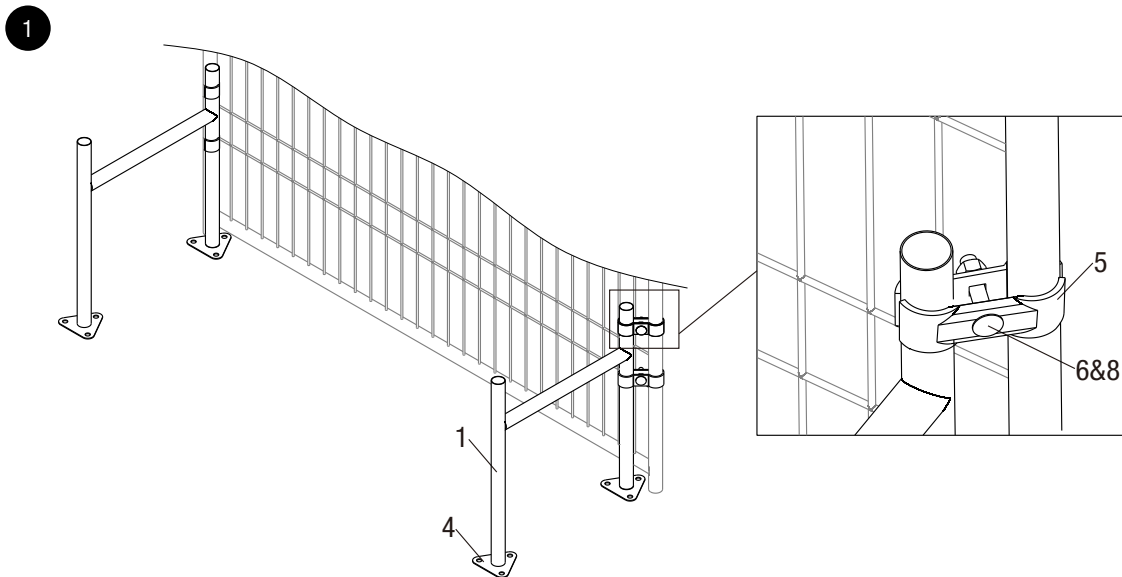
PARTS LIST

Part#	Description	Drawing	Qty.
1	Stand leg		2
2	Platform		1
3	Ramp		1
4	Foot plate		4
5	Clamp		8
6	M10X50 bolt		4
7	M6X40 bolt		2
8	Nut M10		4
9	Nut M6		2

ASSEMBLY

Step 1: Assemble the stand leg

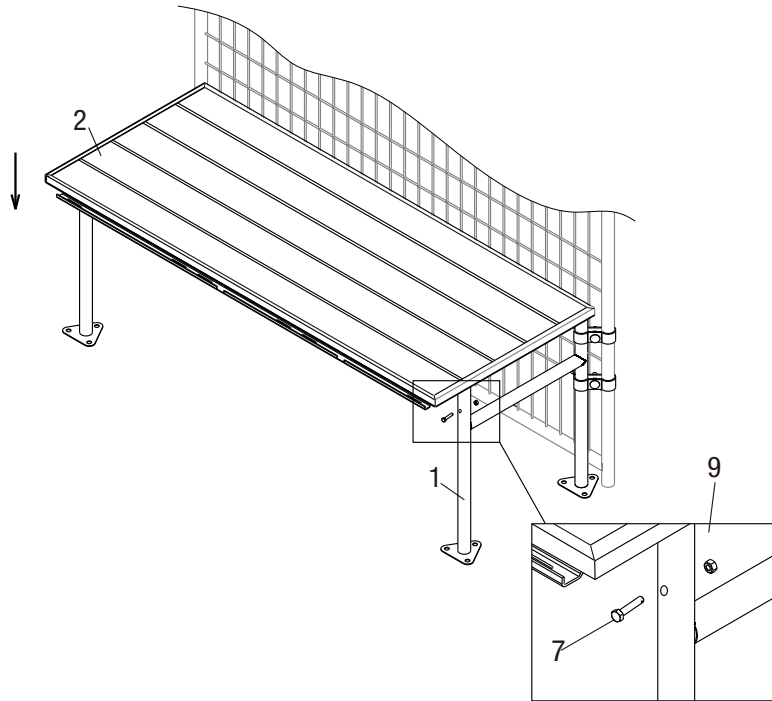
- Put the foot plates #4 on the end of stand legs #1. Attach the leg with the kennel panel using clamp #5 and fittings #6 & #8 (fig.1).



Step 2: Assemble the platform

- Put the platform #2 on the stand legs and secured with fittings #7 & #9 (fig.2).

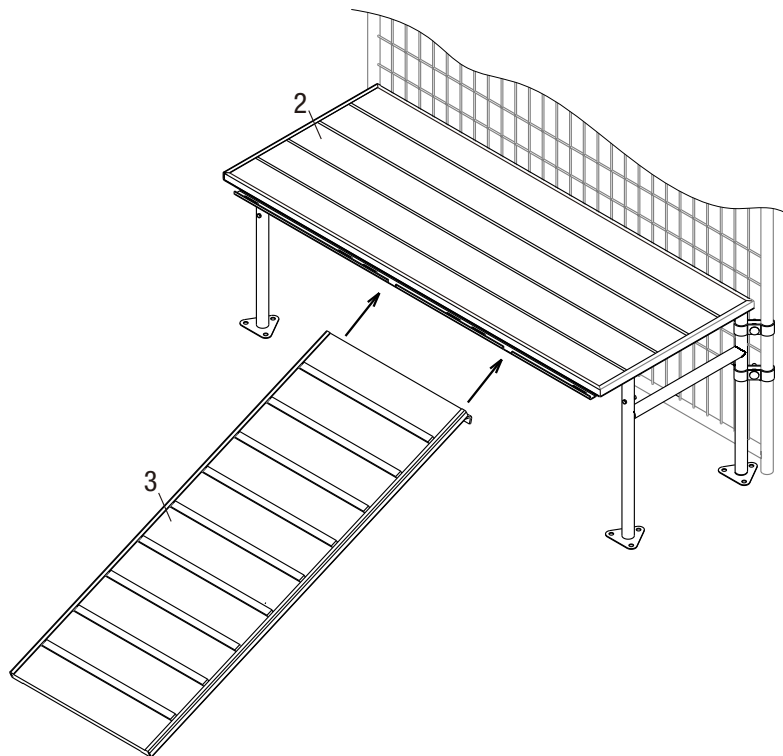
2



Step 3: Assemble the ramp

- Slide the ramp #3 into the U-shape groove of platform #2 from the front slots on the groove to the position you want and secure by pushing the ramp tabs into the bottom slot (fig.3).
- **Note:** The pet ramp has been designed to allow for adjustment into one of three positions including left, right and center. Lift and slide the ramp so that it aligns with the desired position and secure by pushing the ramp tabs into the provided slot.

3



- **Helpful tips for use.**
Dogs like to be in an elevated position so they can see over their domain. The ramp and platform have been designed to allow for easy access up and down the ramp and a generous platform area for pets to relax and look out. Some pets will naturally take to the ramp and others may need a little training to get use to the ramp.
- **Hints for ramp training.**
 1. After assembly, introduce your pet slowly to the ramp. Allow them to explore around it and get used to the location.
 2. To entice them up the ramp, position them at the base and then with a treat, coax them up to the platform. Next, do the same in getting them to walk down the ramp. Repeat this process 3-4 times so they are comfortable going up and down.