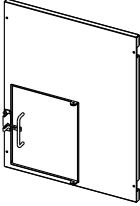

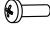




ROTATE FEEDER ASSEMBLY MANUAL

SKU#1125411

PARTS LIST

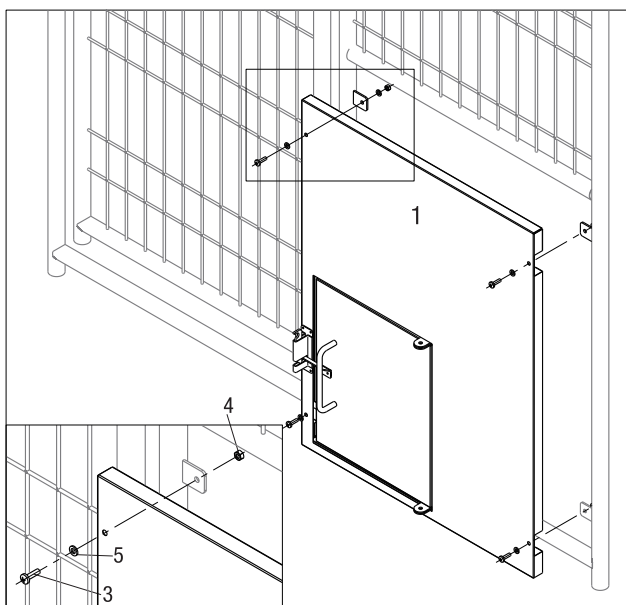
Part#	Description	Drawing	Qty.
1	Rotate feeder		1
2	Bucket holder		1
3	M6X16 bolt		4
4	M6 nut		4
5	Washer		4

ASSEMBLY

Step 1: Assemble the rotate feeder

- Attach the rotate feeder #1 with the kennel panel with fittings #3, #4 & #5 (fig.1).

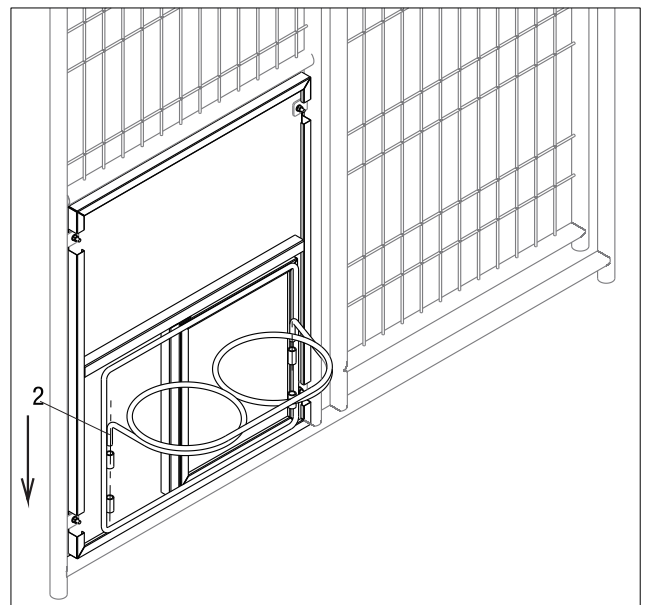
1



Step 2: Assemble the bucket holder

- Put the bucket holder #2 on the rotate feeder #1. Please note that the height can be adjusted according to your dogs need.

2



- The rotating feeder does not come with bowls however, you can easily purchase bowls to fit. The opening of the wire bucket holder (#2 in fig. 2) is 9-3/4". Tractor supply offers both rubber buckets and plastic buckets that will fit this feeder.
- **NOTE:** Be sure rotating feeder door is securely closed and latched when leaving kennel to prevent pet from getting out.