


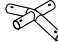

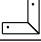







ROOF COVER

ASSEMBLY MANUAL

SKU#1125407

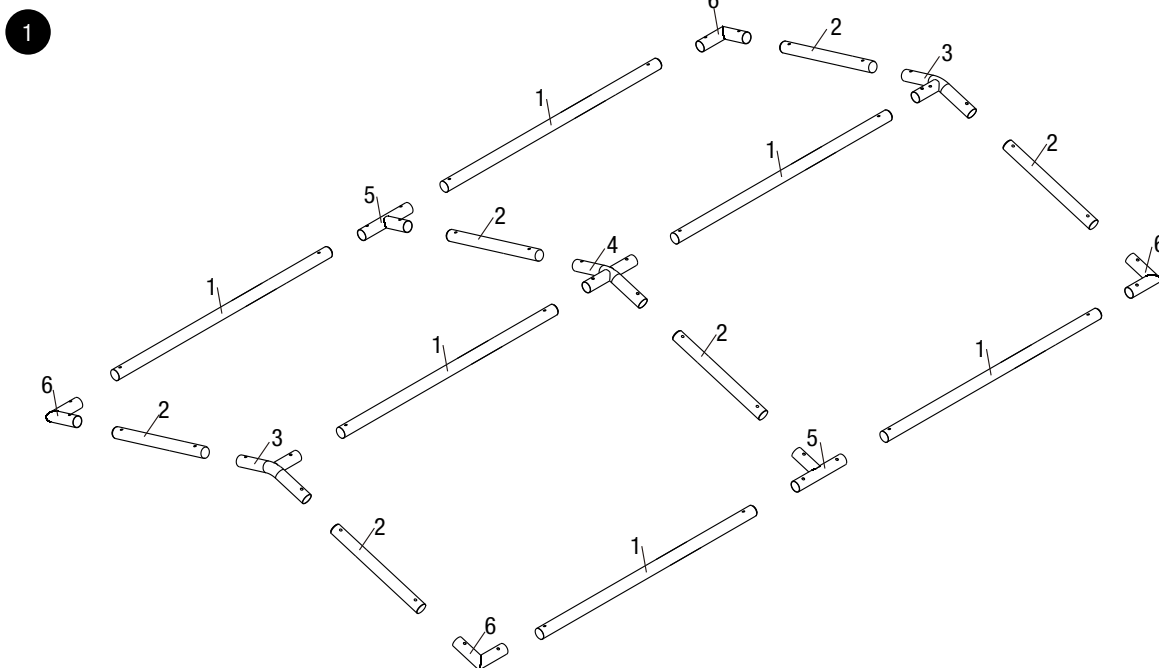
PARTS LIST

Part#	Description	Drawing	Qty.
1	Cross rail		6
2	Rafter rail		6
3	3-way peak connector		2
4	4-way peak connector		1
5	3-way side connector		2
6	Corner connector		4
7	Clamp		16
8	M10X50 bolt		8
9	M10 nut		8
10	Steel cable		2
11	Clamp		4
12	Cover		1

ASSEMBLY

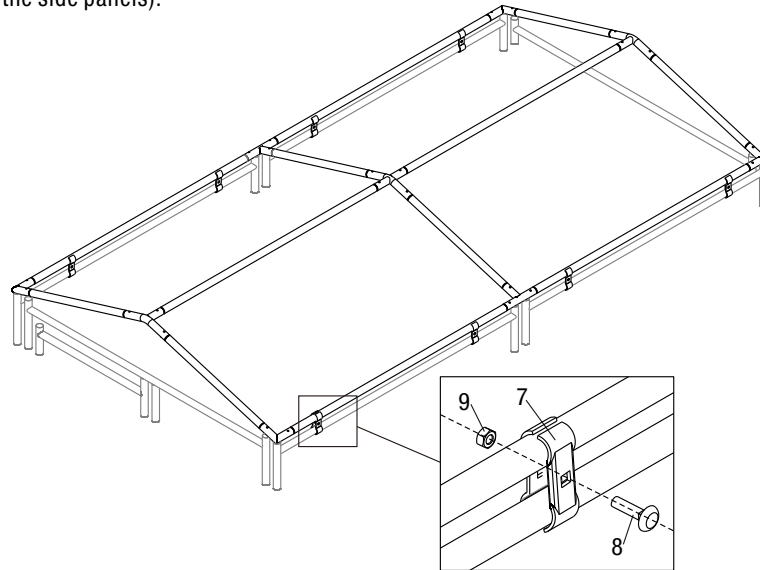
Step 1: Assemble the roof kit

- Lay out the roof kit parts as shown below and connect together. (fig.1).



- Put the assembled roof kit on the top of the kennel and fix with the clamps #7 and fittings #8 & #9 (fig.2).
- **Note:** The orientation of the kennel panels must be positioned as in fig 2. (door panel and rear panel are positioned to the inside of the side panels).

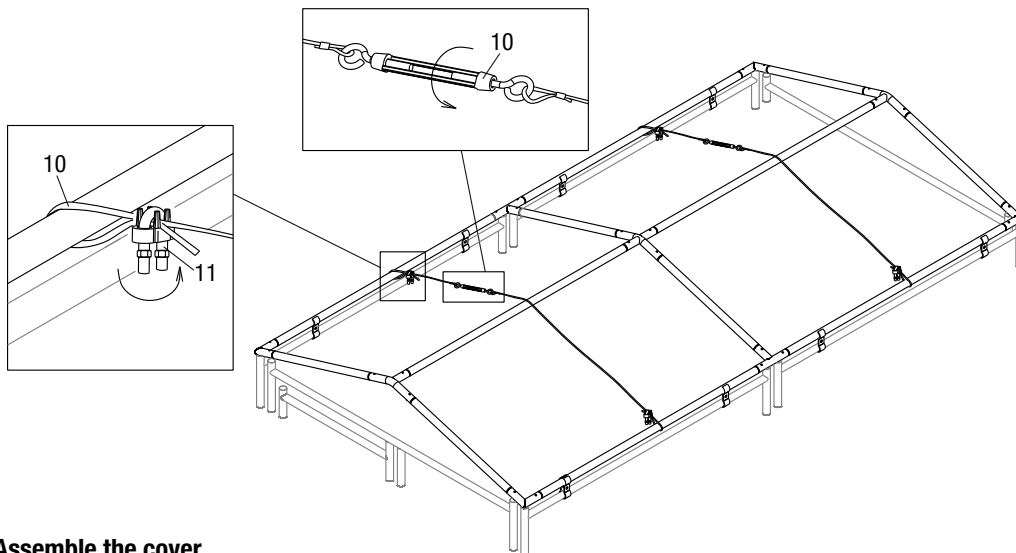
2



Step 2: Assemble the steel cable

- Fix both ends of the steel cable #10 around the cross rail and fasten with clamps #11 as shown below (fig.3).
- Then fully tighten the cable by screwing the turn buckle on the cable.

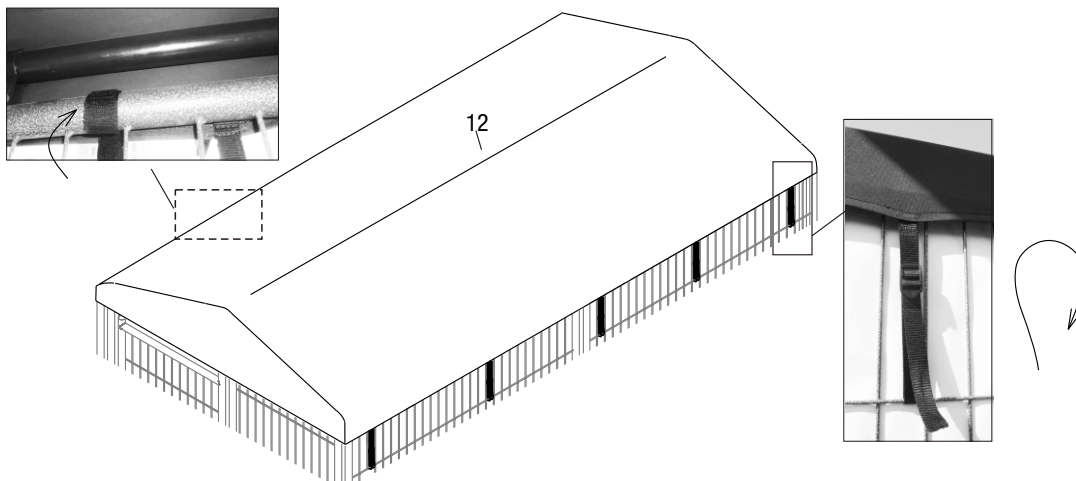
3



Step 3: Assemble the cover

- Put the cover on the roof kit. Adhere all fast attach straps inside the cover.
- Symmetrically tighten the web on both sides of the kennel as shown below (fig.4).
- **Note:** It may be necessary to retighten the nylon web straps to keep roof cover tight and uniform. If the cover is not fully tightened, it may collect water when rains.

4



- **Note:** This Roof Cover is not meant to hold heavy snow or ice loads. Snow or ice accumulation may cause your roof cover to collapse. To avoid overload, brush snow and ice from the roof with a broom or mop.