

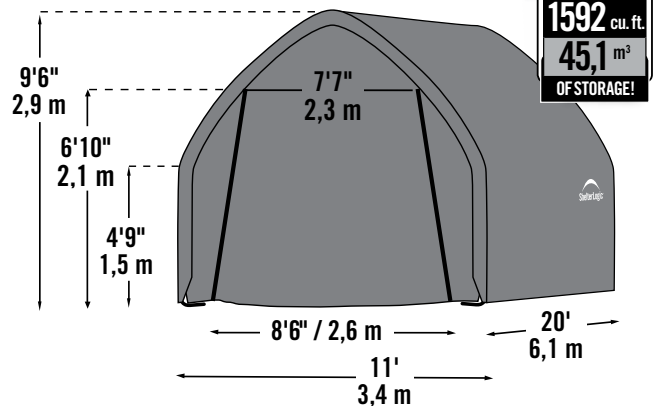
# Garage-in-a-Box® Series

## Garage-in-a-Box® Crossover / Small Truck



Made for the best-selling category of vehicles in North America.

11 ft. x 20 ft. x 9 ft. 6 in. / 3,4 x 6,1 x 2,9 m



### Strong, Sturdy & Durable Protection

- Extra-tall 4-Season garage / shelter.
- Reinforced 1 5/8" pipe diameter roof structure adds more volume and overall strength.
- Patented Alpine Roof design for improved snow and rain shedding vs. peak or round.
- Patented ShelterLock® frame stabilizers at side cross rail connections for rock-solid durability.

- Premium powder coat finish protects frame from corrosion and rust.
- Ripstop-tough advanced engineered 7.5 oz. polyethylene fabric cover is UV treated inside, outside, and in between.
- Seams are heat welded, not stitched; 100% waterproof.
- Ratchet and Easy-Slide cover rail tension systems keep the cover smooth and taut.



**BONUS!** Includes a Roll-Up Door Kit for convenient access.

### Model # 62709

#### Package Includes:

- Steel Frame
- (1) Gray Fitted Cover
- (1) Double-Zippered Door Panel
- (1) Rear Panel
- (4) 15" / 38,1 cm Auger Anchors
- Easy Step-by-Step Instructions

#### Packaging Specifications:

- Container qty: 180
- Total box weight: 251 lbs. / 113,9 kg
- Box dimensions: 48.3 x 21.7 x 15.6 in. / 122,7 x 55,1 x 39,6 cm



Ready-for-Retail  
High-Impact  
Full Color Graphic  
Packaging

