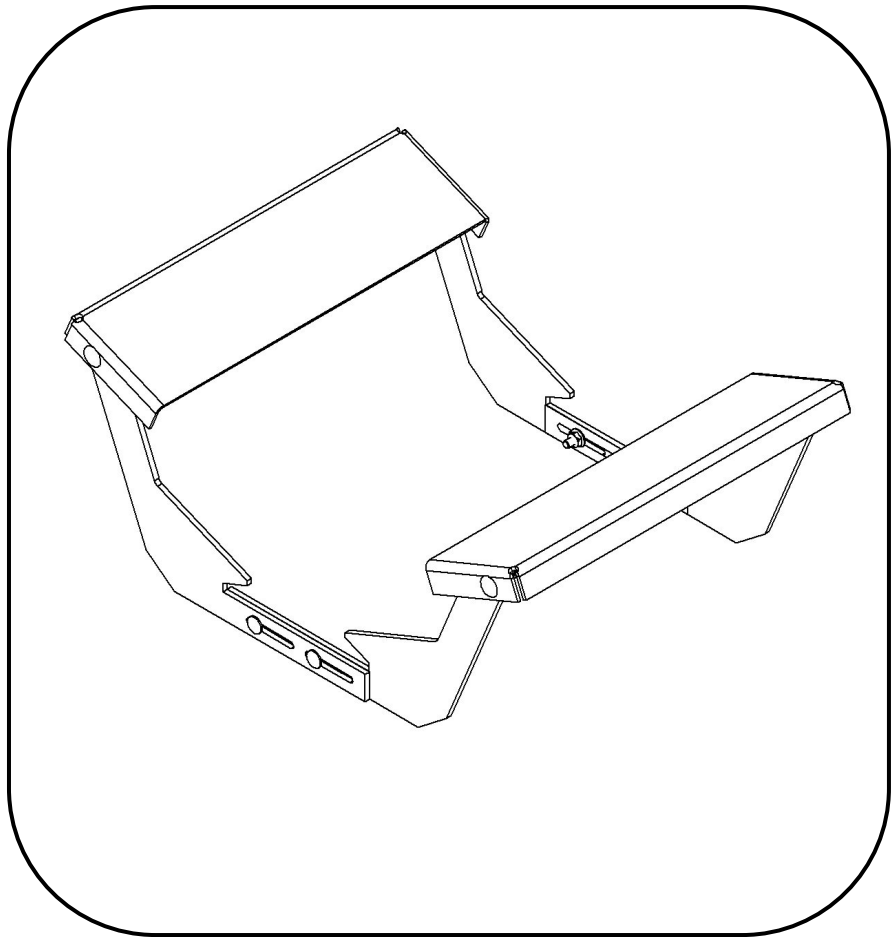




swisherinc.com

OWNER'S MANUAL

**MODEL NO.
16277**



LOG CRADLE 16277

▲ IMPORTANT

Read and follow all Safety Precautions and Instructions before operating any power equipment.

REV 14-344

**Safety
Assembly
Operation
Maintenance
Replacement Part**

1602 CORPORATE DRIVE, WARRENSBURG, MISSOURI 64093
PHONE 660-747-8183 FAX 660-747-8650

Manufacturing quality lawn care equipment since 1945

Made In The
USA

LIMITED WARRANTY

The manufacturer's warranty to the original consumer purchaser is: This product is free from defects in materials and workmanship for a period of one (1) year from the date of purchase by the original consumer purchaser. We will repair or replace, at our discretion, parts found to be defective due to materials or workmanship. This warranty is subject to the following limitations and exclusions:

- 1) Commercial Use This product is not intended for commercial use and carries no commercial warranty.
- 2) Limitation This warranty applies only to products which have been properly assembled, adjusted, and operated in accordance with the instructions contained within this manual. This warranty does not apply to any product of Swisher that has been subject to alteration, misuse, abuse, improper assembly or installation, shipping damage, or to normal wear of product.
- 3) Exclusions Excluded from this warranty are normal wear, normal adjustments, and normal maintenance.

In the event you have a claim under this warranty, you must return the product to an authorized service dealer. All transportation charges, damage, or loss incurred during transportation of parts submitted for replacement or repair under this warranty shall be borne by the purchaser. Should you have any questions concerning this warranty, please contact us toll-free at 1-800-222-8183. The model number, serial number, date of purchase, and the name of the authorized Swisher dealer from whom you purchased the product will be needed before any warranty claim can be processed.

THIS WARRANTY DOES NOT APPLY TO ANY INCIDENTAL OR CONSEQUENTIAL DAMAGES AND ANY IMPLIED WARRANTIES ARE LIMITED TO THE SAME TIME PERIODS STATED HEREIN FOR ALL EXPRESSED WARRANTIES. Some states do not allow the limitation of consequential damages or limitations on how long an implied warranty may last, so the above limitations or exclusions may not apply to you. This warranty gives you specific legal rights and you may have other rights, which vary from state-to-state. This is a limited warranty as defined by the Magnuson-Moss Act of 1975.

TABLE OF CONTENTS

WARRANTY.....	2	PARTS SCHEMATIC	5
OPERATION	3	SAFETY.....	6-7
ASSEMBLY.....	4		

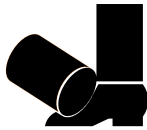


OPERATION

INTENDED USE: This Log Cradle is to be used to help keep logs from falling to the ground. Depending on the size, shape, and log splitter position some logs may unexpectedly fall to the ground. **KEEP ALERT** to prevent being struck by falling logs. Injury can occur from being struck by falling logs.

WARNING: *DO NOT START OR RUN A LOG SPLITTER WITHOUT OIL IN THE ENGINE AND/OR HYDRAULIC RESERVOIR.*

OPERATING LOG SPLITTER: *See separate log splitter and engine manuals for starting and operating instructions.*



Safety Footwear is recommended. Heavy logs may fall unexpectedly and can cause injury.



The operation of any splitter can produce foreign objects to be thrown into the eyes, resulting in severe eye damage. Always wear certified safety glasses or wide-vision safety goggles over spectacles before starting any splitting machine and while operating such a machine.

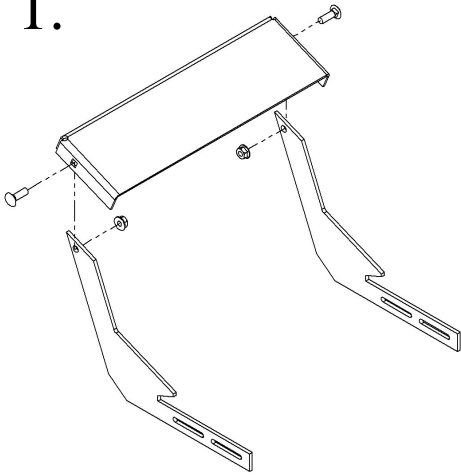


The operation of any splitter produces sound waves that are damaging to the human ear. Ear protection is recommended.

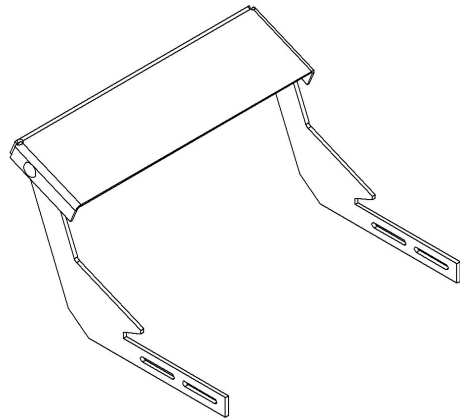


ASSEMBLY

1.



2.



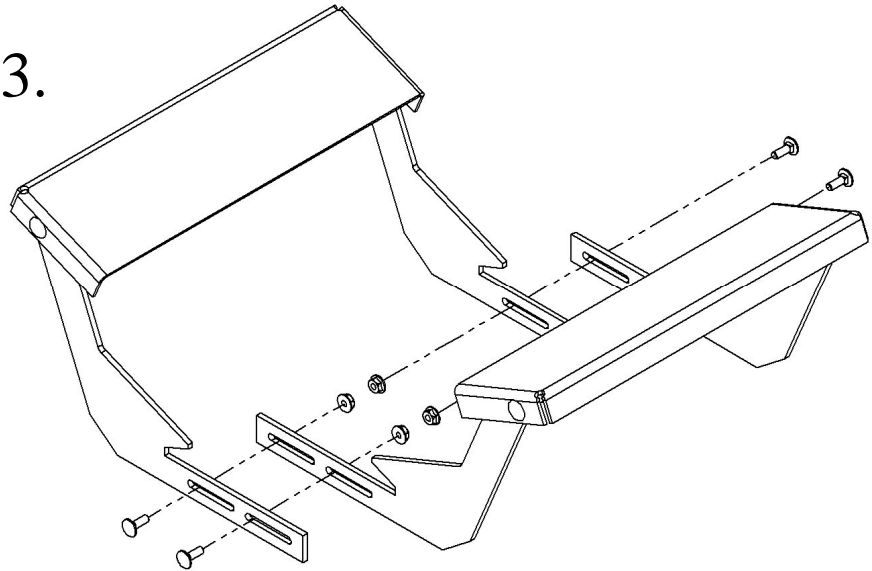
Step 1: Assemble one half of the cradle as shown above.

Step 2: Repeat step one to assemble the other half.

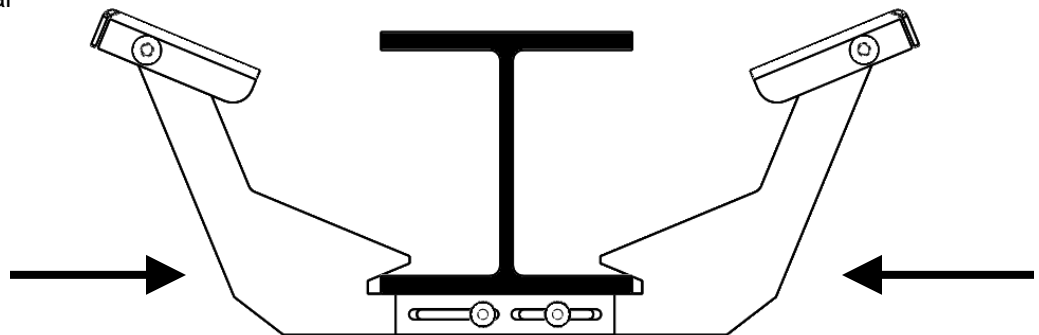
Step 3: Assemble the two halves as shown, leave bottom nuts and bolts loose until mounting it to your existing log splitter beam.

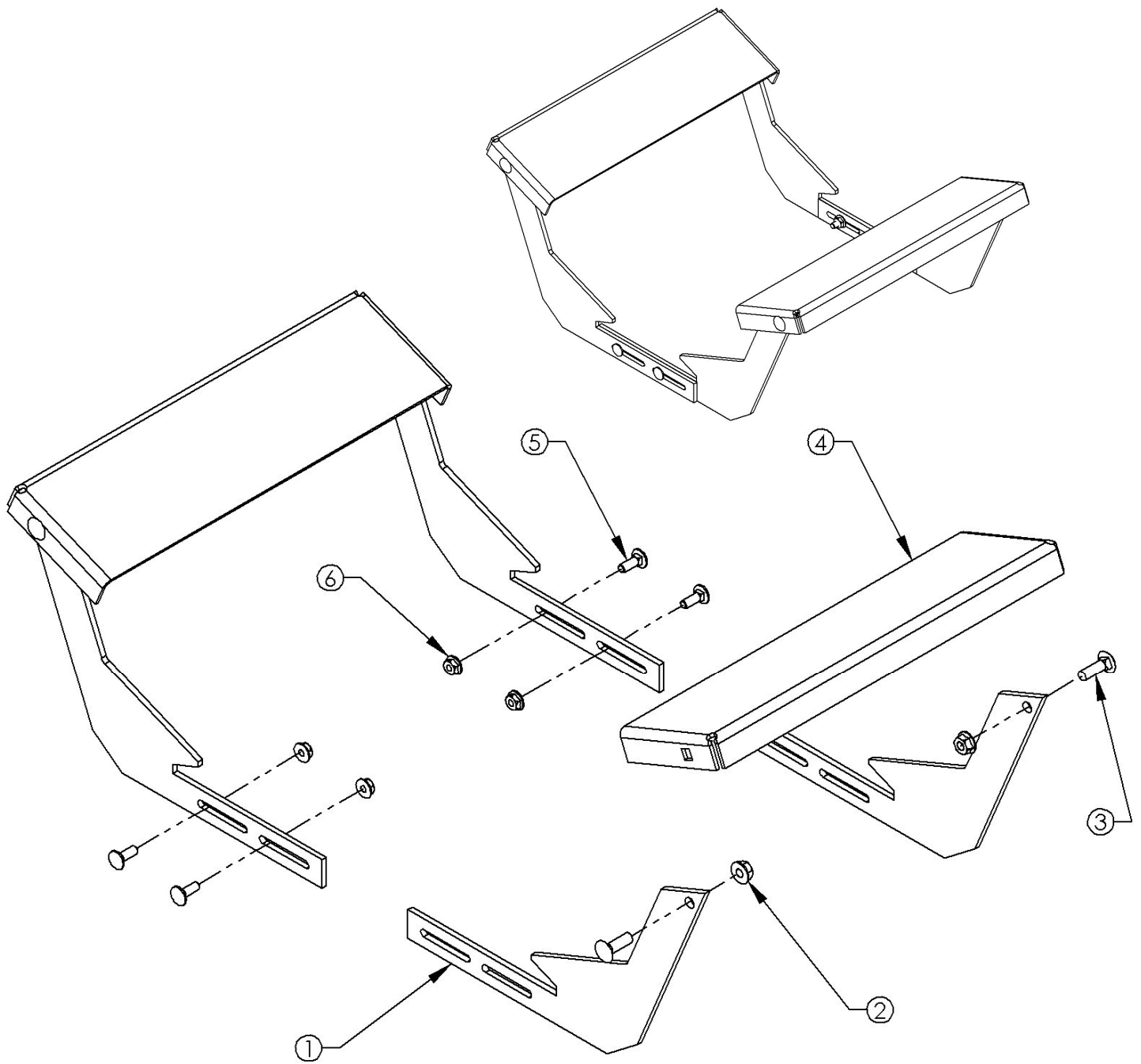
Step 4. Position the log cradle over your log splitter beam as shown below. Slide the two halves together until they clamp to the bottom flange and tighten all fasteners securely.

3.



4.





ITEM NO.	QTY.	PART NO.	DESCRIPTION
1	4	16275TK	Support - Log Cradle
2	4	NB170	Nut - Serrated Flange 5/16-18
3	4	10197	Bolt - Carriage 5/16-18 X 1
4	2	16276TK	Plate - Table Log Cradle
5	4	10547	Bolt - Carriage 1/4-20 X 3/4
6	4	NB524	Nut - Serrated Flange 1/4-20

LOG SPLITTER SAFETY PRECAUTIONS



This Safety Alert Symbol indicates important messages in this manual. When you see this symbol, carefully read the message that follows and be alert to the possibility of personal injury.

Read this manual completely. Log splitting equipment can amputate hands, feet, and throw objects. Failure to observe the following safety instructions could result in serious injury or death.

Warning: Operation of engine powered equipment may create sparks from the exhaust that can start fires around dry vegetation. A Spark Arrestor may be required. The operator should contact local fire agencies for laws or regulations relating to fire prevention requirements.



DANGER: Your log splitter was built to be operated according to the rules for safe operation in this manual. As with any type of power equipment, carelessness or error on the part of the operator can result in serious injury. If you violate any of these rules, you may cause serious injury to yourself or others.

- Read and understand the separate log splitter manual and this manual. Learn to operate this equipment in a safe manner. Familiarize yourself with all of the controls in a safe environment before starting to work with log splitting equipment.
- DO NOT under any circumstances alter this Log Cradle. This equipment was designed and engineered in accordance with operating instructions. Altering this equipment, or using this equipment in such a way as to circumvent its design capabilities and capacities, could result in serious injury or fatality and WILL VOID THE WARRANTY.
- Allow ONLY responsible adults who have read all applicable manuals to operate log splitting equipment. NEVER allow children to operate log splitting equipment.
- NEVER operate or allow someone to operate log splitting equipment while under the influence of alcohol, drugs or medication. Being coherent is essential for safety.
- NEVER use splitter for any other purpose than splitting wood. Any other use can result in injury. Your splitter is a precision piece of power equipment, not a toy. Therefore, exercise extreme caution at all times.
- ONLY a single operator is to load and operate the log splitter. KEEP all others, including pets and children, a minimum of 20 feet away from your work area. More accidents occur when more than one person operates the log splitter than any other time.
- ALWAYS wear protective gear such as safety goggles, protective hearing device, steel-toed shoes, and tight-fitting gloves without drawstrings or loose cuffs.
- NEVER wear loose clothing or jewelry that can be caught by moving parts of the splitter and pull you into it. Keep hair away from moving parts.
- NEVER operate your splitter on wet, muddy, or icy surfaces. KEEP work area clean of split wood. Safe footing is essential in preventing accidents.
- ONLY operate splitter on level ground with wheels blocked, not on the side of a hill. It could tip, or rolling logs, poor footing, etc. could cause an accident.
- NEVER operate your splitter near a flame or spark. Hydraulic oil and gasoline are flammable and can explode.

LOG SPLITTER SAFETY PRECAUTIONS



- ONLY use your hands to operate the control lever. NEVER use foot, knee, rope or any extension device.
- Split ONLY one log at a time. NEVER attempt to split two logs on top of each other.
- NEVER place hands or feet between log and splitting wedge or between log and ram during forward or reverse stroke. ALWAYS keep fingers clear of splits that open in log during splitting operation.
- DO NOT straddle or reach across the splitting area while operating the splitter.
- DO NOT step over splitter when the engine is running. You may trip or accidentally activate the splitting wedge. Walk around to get to the other side.
- NEVER attempt to load splitter while splitting wedge is in motion. When loading log splitter, place hands on the sides of the log, not the ends.
- NEVER attempt to split woods across the grain. Wood may burst or fly out of your splitter and result in serious injury.
- NEVER leave your splitter unattended with the engine running. Shut off the engine if you are leaving your splitter, even for a short period of time. Someone could accidentally activate the ram and be injured.
- Both ends of the log should be cut as squarely as possible to prevent the log from sliding out of the splitter during operation. Log length should be kept to 24" or less when splitting with 4-way wedge or 25 1/2" or less when splitting without 4-way wedge.
- NEVER operate your splitter while it is attached to the tow vehicle.
- NEVER allow persons to ride on splitter. DO NOT carry any cargo or wood on your splitter. It may fall off and cause an accident.
- Fluid escaping from a very small hole can almost be invisible. DO NOT check for leaks with your hand. See maintenance section of separate log splitter manual for instructions. **IF injured by escaping fluid, see a doctor at once. Serious infection or reaction can develop if proper medical treatment is not administered immediately.**
- DO NOT operate your splitter in poor mechanical condition or when it is need of repair.
- REFER to separate log splitter manual for all other towing safety information.



OWNER'S MANUAL

**MODEL NO.
16277**

LOG CRADLE

HOW TO ORDER REPAIR PARTS:

All Log Cradle parts listed herein may be ordered directly from Swisher, your nearest Swisher dealer, or from our website. Parts subject to change without notice.

WHEN ORDERING PARTS, PLEASE HAVE THE FOLLOWING INFORMATION AVAILABLE:

- PRODUCT – SWISHER LOG SPLITTER ACCESSORY
- SERIAL NUMBER - _____
- MODEL NUMBER - _____
- PART NUMBER
- *PART DESCRIPTION

www.swisherinc.com
TELEPHONE - 1-800-222-8183
FAX - 1-660-747-8650

SWISHER
1602 CORPORATE DRIVE
WARRENSBURG, MO 64093

SWISHER