

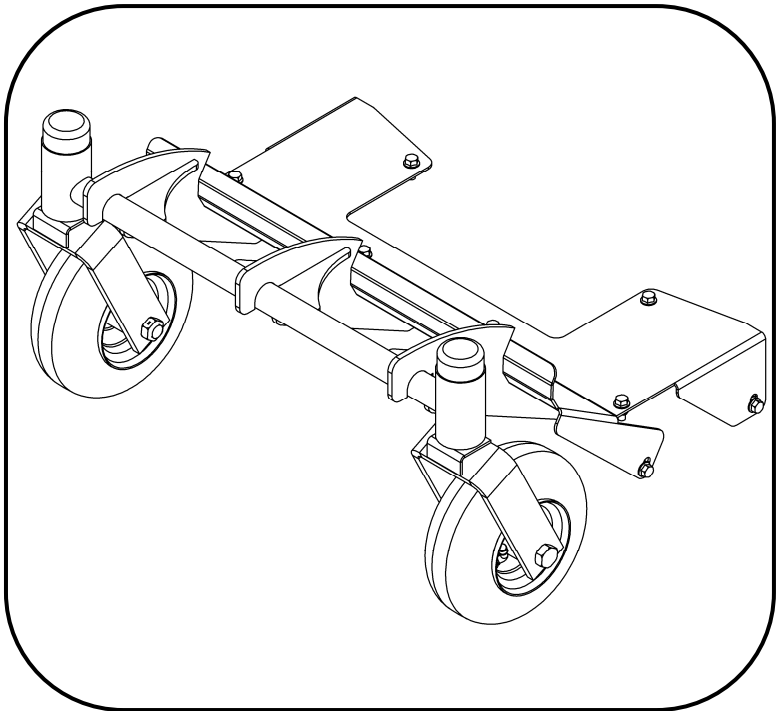
swisherinc.com

**OWNER'S  
MANUAL**

**19630**

**Walk Behind  
Caster Kit**

Starting Serial #: L314-160001



**SWISHER<sup>®</sup>**

**CHANGING YOUR LANDSCAPE SINCE 1945**

**SWISHER**  
1602 CORPORATE DRIVE, WARRENSBURG, MISSOURI 64093  
PHONE 660-747-8183 FAX 660-747-8650

*Made In The*  
**USA**

## LIMITED WARRANTY

The manufacturer's warranty to the original consumer purchaser is: This product is free from defects in materials and workmanship for a period of one (1) year from the date of purchase by the original consumer purchaser. We will repair or replace, at our discretion, parts found to be defective due to materials or workmanship. This warranty is subject to the following limitations and exclusions:

- 1) Commercial Use      This product is not intended for commercial use and carries no commercial warranty.
- 2) Limitation            This warranty applies only to products which have been properly assembled, adjusted, and operated in accordance with the instructions contained within this manual. This warranty does not apply to any product of Swisher that has been subject to alteration, misuse, abuse, improper assembly or installation, shipping damage, or to normal wear of product.
- 3) Exclusions            Excluded from this warranty are normal wear, normal adjustments, and normal maintenance.

In the event you have a claim under this warranty, you must return the product to an authorized service dealer. All transportation charges, damage, or loss incurred during transportation of parts submitted for replacement or repair under this warranty shall be borne by the purchaser. Should you have any questions concerning this warranty, please contact us toll-free at 1-800-222-8183. The model number, serial number, date of purchase, and the name of the authorized Swisher dealer from whom you purchased the product will be needed before any warranty claim can be processed.

**THIS WARRANTY DOES NOT APPLY TO ANY INCIDENTAL OR CONSEQUENTIAL DAMAGES AND ANY IMPLIED WARRANTIES ARE LIMITED TO THE SAME TIME PERIODS STATED HEREIN FOR ALL EXPRESSED WARRANTIES.** Some states do not allow the limitation of consequential damages or limitations on how long an implied warranty may last, so the above limitations or exclusions may not apply to you. This warranty gives you specific legal rights and you may have other rights, which vary from state-to-state. This is a limited warranty as defined by the Magnuson-Moss Act of 1975.

# Parts List

**Before assembling your Caster Kit, please check the table and diagram below to familiarize yourself with the parts and to make sure no parts are missing.**

**Tools Required:**

**One 1-1/16" Wrench**

**Two 1/2" Box End Wrenches**

Item #	Part #	Description	Qty
1*	094618	Cap	2
2*	NB122	Nut - Jam, Nyloc 3/4-16	2
3*	17X195	Washer - Flat	2
4*	NB195	Washer - 13/16 X 1 1/4 X 1/8	4
5	B98	Bearing	4
6	19631TK	Weldment - Brush Guard Housing, Txt Blk	1
7	19638TK	Weldment - Caster, Txt Blk	2
8	19642	Bolt - 5/8-11 X 5	2
9	NB149	Washer - 5/8 ID X 1 OD 14 GA	4
10	19641	Tire/Wheel - 8 X 3	2
11	NB595	Nut - Lock Jam, 5/8-11 2 Way	2
12*	NB596	Bolt - Serrated Flange, 5/16-18 X 3/4	10
13*	NB170	Nut - Serrated Flange 5/16-18	10

Note: Items labeled with \* are located in the hardware bag.

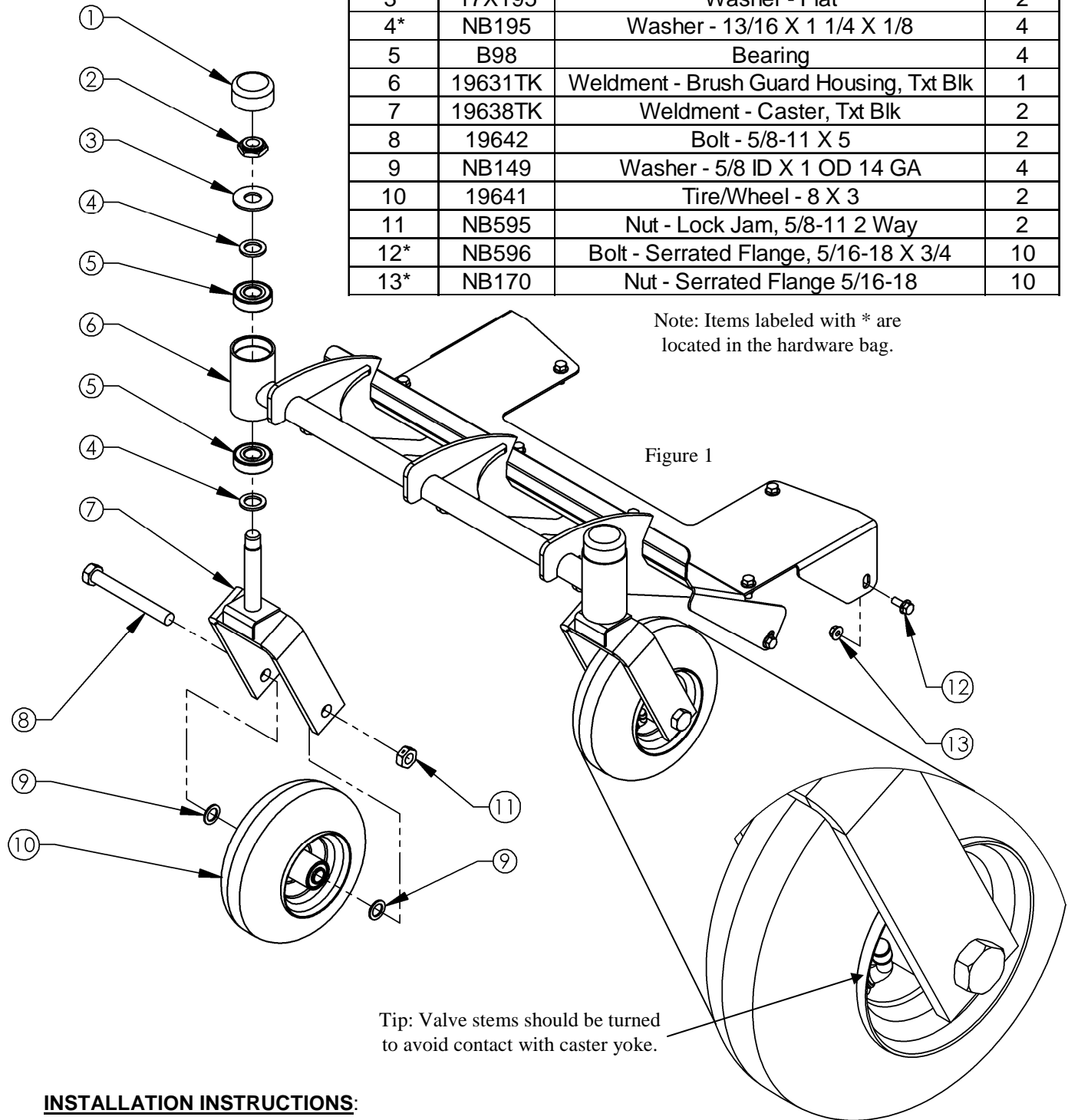


Figure 1

Tip: Valve stems should be turned to avoid contact with caster yoke.

**INSTALLATION INSTRUCTIONS:**

- Assemble the casters to the brush guard using the hardware from the hardware bag in the order shown in Figure 1. Using a 1-1/16" wrench, tighten item number 2 (NB122) enough to engage the nyloc portion of the nut while still allowing the caster to rotate freely. Item numbers 12 (NB596) and 13 (NB170) will be installed in a later step.

## Disassembling Your Brush Guard

Item #	Part #	Description	Qty
1	NB170	Nut - Serrated Flange 5/16-18	10
2	10681TK	Guard - Brush, Txt Blk	1
3	NB596	Bolt - Serrated Flange, 5/16-18 X 3/4	10

Note: Items called out on this page are components of your existing unit. Replacement hardware is provided with this kit and can be found in the hardware bag.

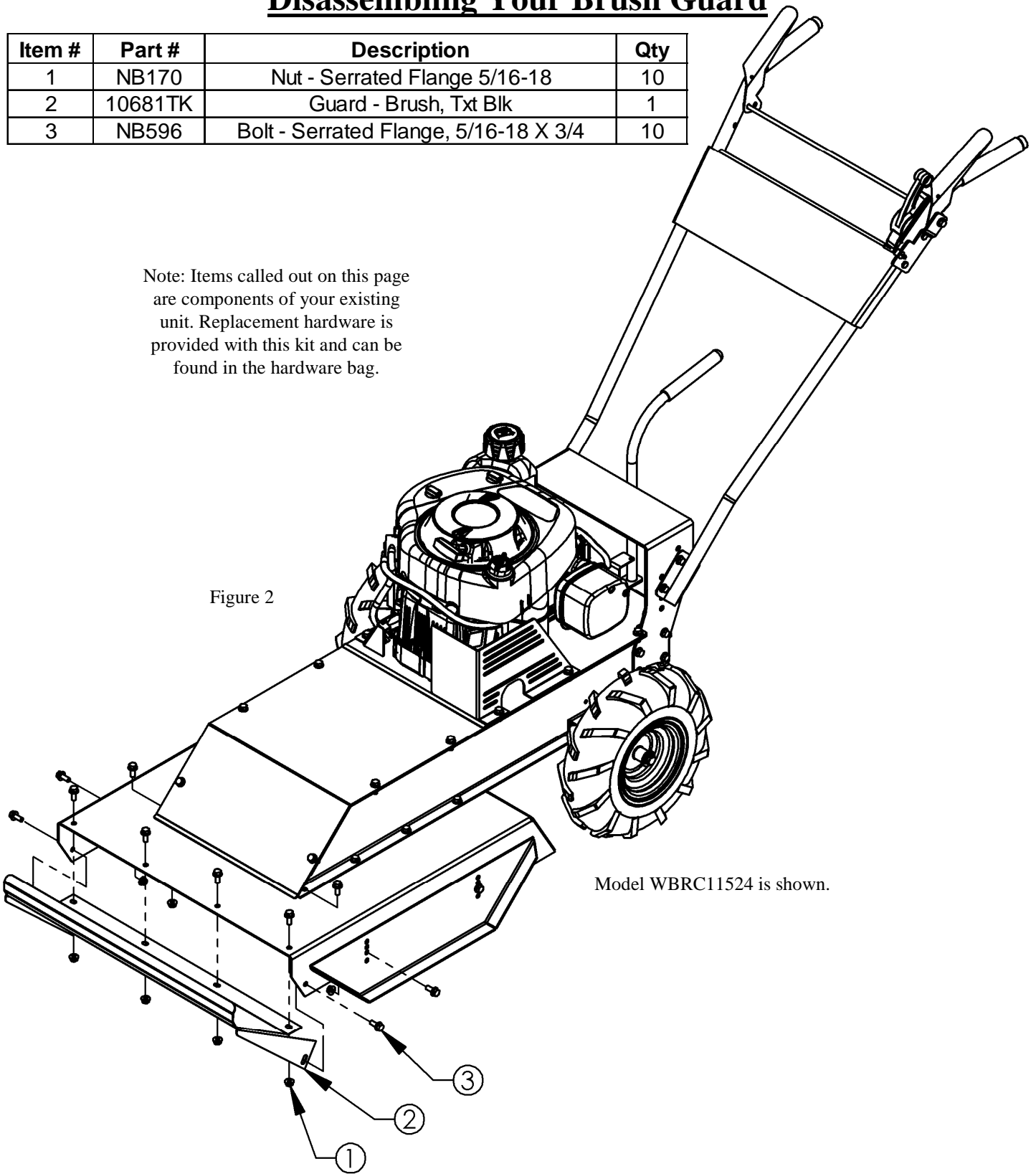


Figure 2

Model WBRC11524 is shown.

### INSTALLATION INSTRUCTIONS:

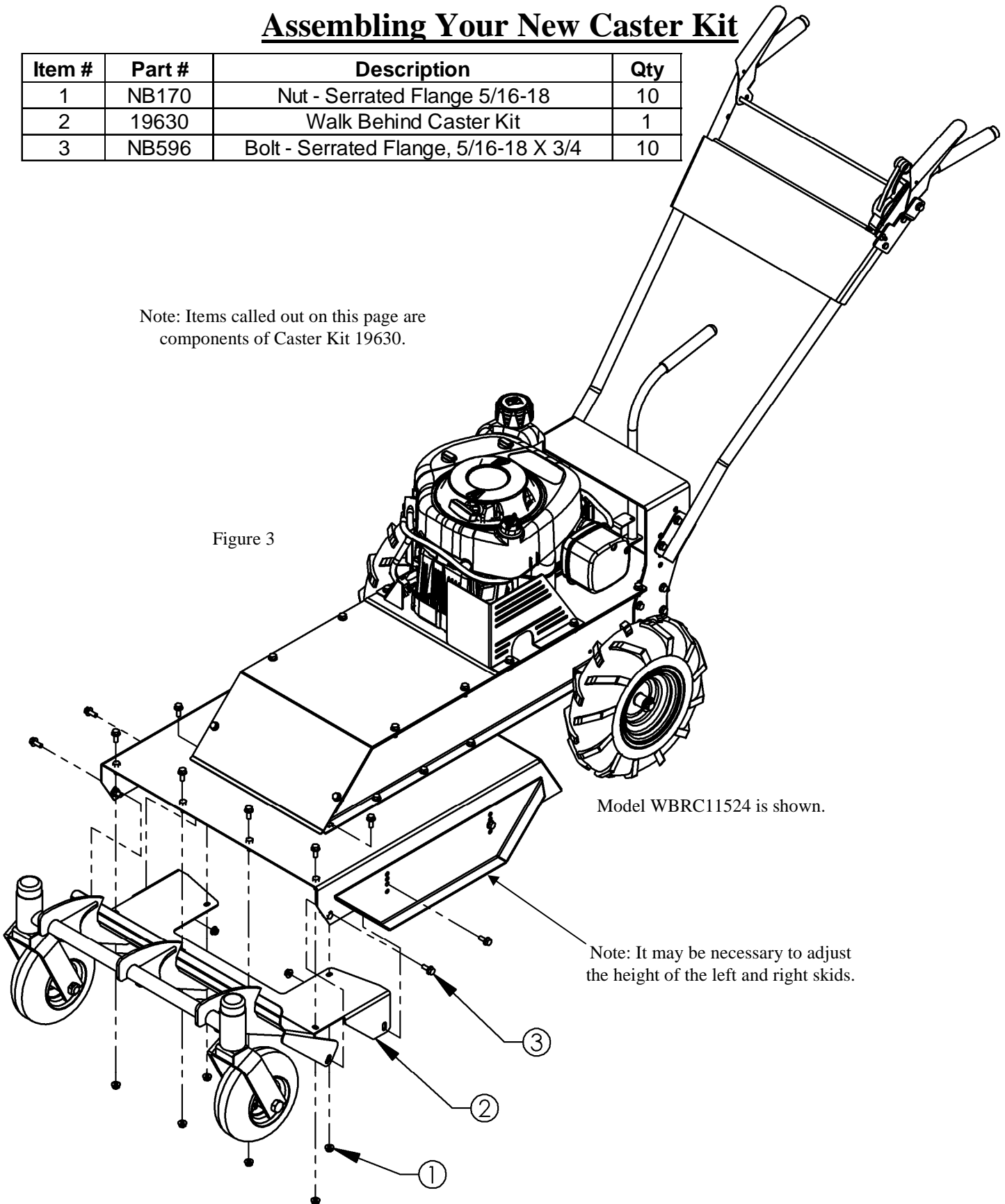
- Using two 1/2" box end wrenches, remove the original brush guard (10681TK) from your existing Walk Behind unit. It is held in place with six nuts (NB170) and six bolts (NB596). In order to assemble your caster kit to your unit, you will need to remove a total of ten nuts (NB170) and ten bolts (NB596) as shown in Figure 2.

## Assembling Your New Caster Kit

Item #	Part #	Description	Qty
1	NB170	Nut - Serrated Flange 5/16-18	10
2	19630	Walk Behind Caster Kit	1
3	NB596	Bolt - Serrated Flange, 5/16-18 X 3/4	10

Note: Items called out on this page are components of Caster Kit 19630.

Figure 3



### INSTALLATION INSTRUCTIONS:

- Install the caster assembly to the inside of the deck as shown in Figure 3 with the ten nuts (NB170) and ten bolts (NB596) supplied with this kit. It is recommended that you loosely assemble all hardware in this step before using two 1/2" box end wrenches to tighten the caster assembly securely to the deck.

# Completed Assembly

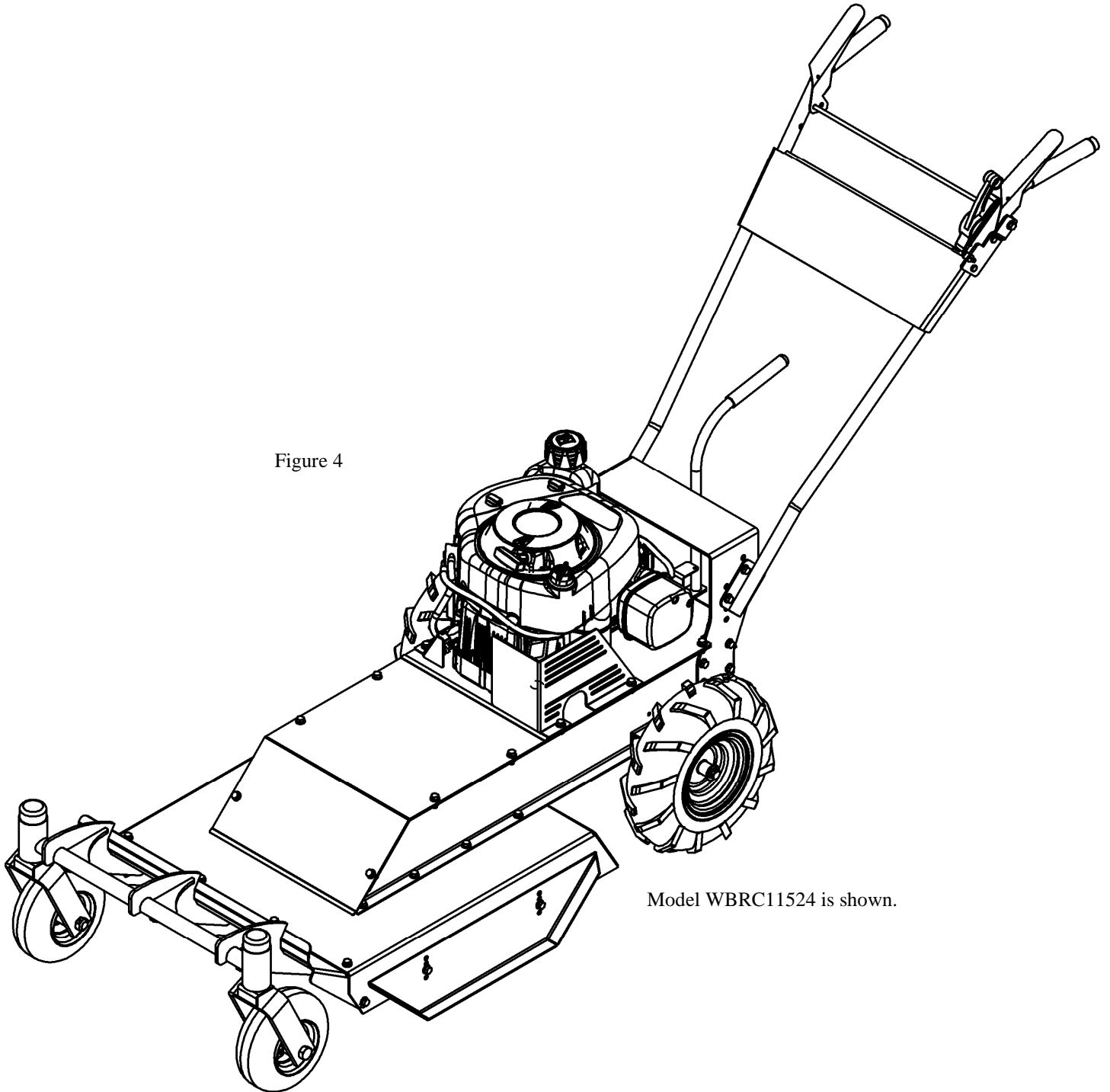


Figure 4

Model WBRC11524 is shown.



## SWISHER HISTORY

Back before electricity came to rural Missouri Max Swisher was producing lawn mowers from his mother's chicken house. Max never liked to mow grass. He installed a gearbox on his family's lawn mower creating a self-propelled unit. By tying one end of a rope to the mower and the other end to a tree in the center of the yard the mower circled the tree, shortening the rope and guiding the mower in concentric circles. Max enjoyed relaxing under a shade tree while his invention did all the work.

Max had designed his first self-propelled rotary lawn mower to do his dirty work for him. Neighbors noticed his new invention and began asking him to make more. Today, 60 years later, Swisher is still producing innovative lawn and garden and ATV/UTV equipment designed to give us all more "relaxing in the shade" time.

Swisher products have been featured nationally on television programs such as Regis and Kathie Lee and seen in publications like ATV Magazine, Country Journal, Popular Mechanics Magazine and others. In January 2000 Popular Mechanics Magazine named Max's zero turning radius riding mower one of the 20<sup>th</sup> century's top household inventions.

Swisher offers value and function in its products to meet your grounds maintenance needs.

**CELEBRATING OVER 65 YEARS OF INNOVATION**

**SINCE 1945**

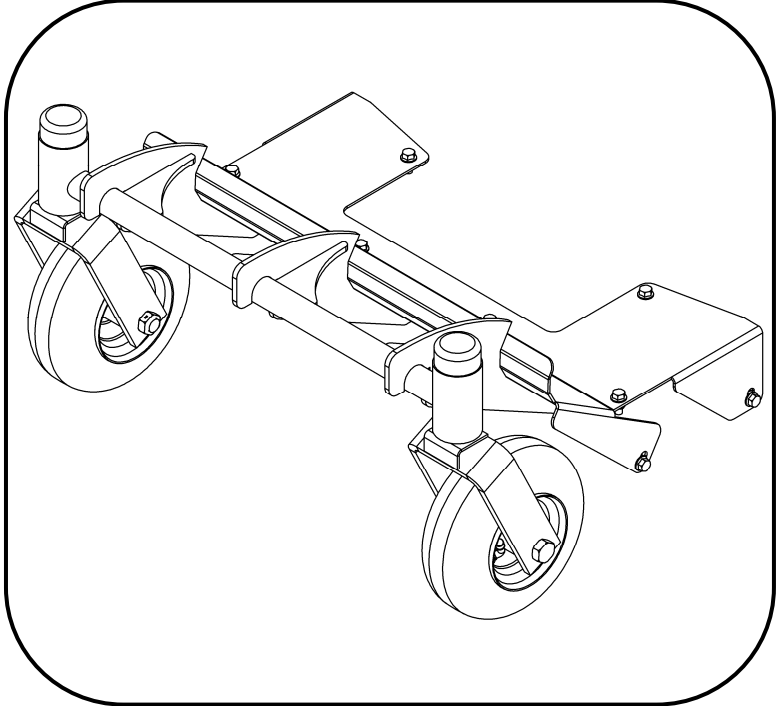


# SWISHER®

swisherinc.com

## OWNER'S MANUAL

### 19630 Walk Behind Caster Kit



WHEN ORDERING PARTS, PLEASE HAVE THE  
FOLLOWING INFORMATION AVAILABLE:

- \* PRODUCT - \_\_\_\_\_
- \* SERIAL NUMBER - \_\_\_\_\_
- \* MODEL NUMBER - \_\_\_\_\_
- TYPE - \_\_\_\_\_
- \* PART NUMBER WITH PAINT CODE
- \* PART DESCRIPTION

TELEPHONE - 1-800-222-8183

FAX - 1-660-747-8650

### SWISHER

1602 CORPORATE DRIVE  
WARRENSBURG, MO 64093

[swisherinc.com](http://swisherinc.com)

SWISHER  
1602 CORPORATE DRIVE, WARRENSBURG, MISSOURI 64093  
PHONE 660-747-8183 FAX 660-747-8650

Made In The

# USA