

MASTER®

**Model #s: MH-40-GFA, MH-60V-GFA,
MH-125V-GFA, MH-150V-GFA**



IMPORTANT: Read and understand all of the directions in this manual before assembling, starting or servicing the heater. Improper use of this heater can cause serious injury.

Table of Contents

Specifications	2
Unpacking	2
Product Features	2
Propane Supply / Information	2
Safety Information.....	3-4
Operation	4-5
Checking for Leaks	5
Lighting Instructions	5
Storage.....	5
Wiring Diagrams.....	6
Replacement Parts	6-7
Exploded Parts Drawing	7
Troubleshooting Guide	Back Cover
Warranty.....	Back Cover

⚠ GENERAL HAZARD WARNING: *Failure to comply with the precautions and instructions provided with this heater, can result in death, serious bodily injury and property loss or damage from hazards of fire, explosion, burn, asphyxiation, carbon monoxide poisoning, and/or electrical shock.*
Only persons who can understand and follow the instructions should use or service this heater.
If you need assistance or heater information such as an instructions manual, labels, etc, contact the manufacturer.

⚠ DANGER *Not for use in residential living areas or in non-adequately ventilated enclosed spaces. Never bring or store a propane cylinder indoors.*

CONSUMER: Retain this manual for future reference.

NEVER LEAVE HEATER UNATTENDED WHILE BURNING, CONNECTED TO A POWER SOURCE, OR WHILE CONNECTED TO A FUEL SOURCE

MASTER

**Propane
Forced Air Heaters**

Specifications

Model #	Rating BTU/Hr	Fuel Consumption	Electrical Input	Manifold Pressure	Amps	Weight (Lbs)	Size (L x W x H)
MH-40-GFA	42,000	1.9 Lbs/Hr	120V, 60 Hz	11" W.C.	0.6	11.2	18" x 7" x 13"
MH-60V-GFA	40,000 - 60,000	1.9 to 2.8 Lbs/Hr	120V, 60 Hz	11" W.C.	0.6	11.2	18" x 7" x 13"
MH-125V-GFA	95,000 - 125,000	4.4 to 5.8 Lbs/Hr	120V, 60 Hz	8.3" W.C.	0.8	17.6	25" x 8.6" x 15.5"
MH-150V-GFA	120,000-150,000	5.5 to 6.9 Lbs/Hr	120V, 60 Hz	8" W.C.	0.8	17.6	25" x 8.6" x 15.5"

Table 1: Specifications

Specifications subject to change without notice

Unpacking

1. Remove all packing items applied to heater for shipment. Keep plastic cover caps attached to inlet connector and hose/regulator assembly for storage.
2. Remove all items from carton.
3. Check all items for shipping damage. If heater is damaged, promptly inform dealer where you purchased the heater.

CAUTION *The Propane (LP) gas pressure regulator and hose assembly supplied with the heater must be used without alteration.*

CAUTION *This is an unvented portable heater. It uses air (oxygen) from the area which it is used. Ample combustion and ventilation air must be provided. See VENTILATION on page 5.*

Product Features

- Portable, stable and fully assembled.
- Wind resistant and rain protected.
- Continuous spark ignition or piezo spark ignition.
- 100% safety shut-off system.
- Adjustable input ratings (Except MH-40-GFA).
- Adjustable Height Controller.

PROPANE INFORMATION

The Propane (LP) cylinder must also be equipped with the following:

- A collar to protect the gas valve.
- A shut-off valve terminating a LP cylinder valve outlet as specified in the American National Standard for Compressed Gas Cylinder Valve Outlets and Inlet Connections.
- A safety relief valve having direct communications with the vapor space of the LP cylinder.
- An arrangement of vapor withdrawal.

DANGER If the information in this manual is not followed exactly, a fire or explosion may result causing property damage, personal injury or loss of life.

- Do not store or use gasoline or other flammable vapors and liquids in the vicinity of this or any other appliance.
- An LP cylinder not connected for use shall not be stored in the vicinity of this or any other appliance.

WHAT TO DO IF THE SMELL OF GAS IS PRESENT:

- DO NOT attempt to light heater
- Extinguish any open flame
- Shut off gas to heater
- If odor continues, contact your local gas supplier or fire department.
- Do not touch any electric switch, do not use any phone in your building
- Immediately call your gas supplier from a neighbors phone. Follow the gas suppliers instructions
- If you can not reach your gas supplier, call the fire department
- Service must be done by a qualified service agency or the gas supplier.

WARNING The state of California requires the following warning:
Combustion by-products produced when using this product contain carbon monoxide, a chemical known to the state of California to cause cancer and birth defects (or other reproductive harm).

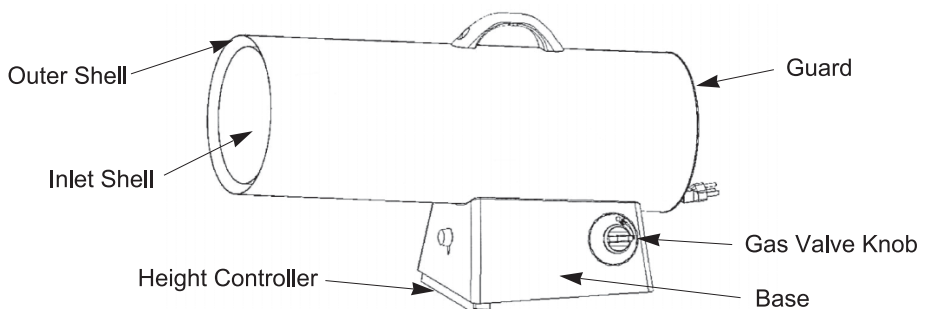


Figure 1. Product Features

NEVER LEAVE HEATER UNATTENDED WHILE BURNING, CONNECTED TO A POWER SOURCE, OR WHILE CONNECTED TO A FUEL SOURCE

MASTER

Propane Forced Air Heaters

General Safety Information

⚠ DANGER *Indicates an imminently hazardous situation which, if not avoided, WILL result in death or serious injury.*

⚠ WARNING *Indicates a potentially hazardous situation which, if not avoided, COULD result in death or serious injury.*

⚠ CAUTION *Indicates a potentially hazardous situation which, if not avoided, MAY result in minor or moderate injury.*

⚠ WARNING *Fire, burn, inhalation, and explosion hazard. Keep solid combustibles such as building materials, paper, or cardboard, at a safe distance away from heater as recommended by the instructions. Never use the heater in spaces which do or may contain volatile or airborne combustibles or products such as gasoline, solvents, paint thinner, dust particles, or unknown chemicals.*

⚠ WARNING *Not for home or recreational vehicle use.*

Consumer: Retain these instructions for future reference.

⚠ DANGER *Improper use of this heater can result in serious injury or death from burns, fire, explosion, electrical shock and /or carbon monoxide poisoning.*

This heater is designed and approved for use as a construction heater in accordance with ANSI Z83.7a/CSA 2.14a-2007. Other standards govern the use of fuel gases and heating products for specific uses. Your local authority can advise you about these. The primary purpose of construction heaters is to provide temporary heating of buildings under construction, alteration, or repair. Properly used, the heater provides safe economical heating. Products of combustion are vented into the area being heated.

⚠ WARNING *Not for use with ductwork.*

⚠ WARNING *Do not operate this heater until you read and thoroughly understand the safety and operating instructions.*

⚠ WARNING *Combustible by-products produced when using this product contain carbon monoxide, a chemical known to the State of California to cause cancer, birth defects, or other reproductive harm.*

⚠ WARNING *The hose assembly shall be protected from traffic, building material and contact with hot surfaces both during use and while in storage.*

IMPORTANT: Read this User's Manual carefully and completely before attempting to operate or service this heater. Improper use of the heater can cause serious injury or death from fire, explosion and carbon monoxide poisoning.

Every possible circumstance that may involve a hazard cannot be anticipated. The warnings in this manual and attached to the unit are therefore not all-inclusive. If a procedure, work method or operating technique not specifically recommended by Pinnacle is used, you must be sure it is safe for you and others. You should also insure that equipment will not be damaged or made unsafe by the operating or maintenance method you choose.

CHECK WITH YOUR LOCAL FIRE SAFETY AUTHORITY IF YOU HAVE ANY QUESTIONS ABOUT APPLICATIONS. This heater is designed and approved for use as a construction heater under ANSI Z83.7a/CSA 2.14a-2007.

Other standards govern the use of fuel gasses and heat producing products in specific applications. Your local authority can advise you of these.

This is a direct-fired, forced-air construction heater for either indoor or outdoor use. It's intended use is primarily for the temporary heating of buildings under construction, alteration or repair. All of the products of combustion generated by this heater are forced through the heater and released into the area being heated. This heater operates at approximately 98%+ combustion efficiency, but still produces small amounts of carbon monoxide. Humans can tolerate small amounts of carbon monoxide for short periods. Carbon monoxide can build up in a heated space, and failure to provide adequate ventilation could result in poisoning or death.

You must provide the propane gas and cylinder(s). Use this heater only with a propane vapor withdrawal supply system. Refer to Chapter 5 of the Standard for Storage and Handling of Liquefied Petroleum Gas, ANSI/NFPA 58. Your local library or fire department will have this booklet.

IMPORTANT SAFETY INFORMATION

- Children should be kept away.
- Always maintain proper clearance from combustible materials. Minimum clearance should be:
Sides - 24" Top - 36" Front - 72"
- Heater must be placed on level and solid footing.
- Never place anything, including clothes or other flammable items on heater.
- Do not modify heater, or operate a heater that has been modified.
- Adequate clearance for accessibility, combustion and ventilation (air supply) must be maintained at all times when heater is operating.
- Service and repair should be performed by a qualified service person. The heater should be inspected before each use, and at least annually by a qualified person. More frequent cleaning may be required as necessary. Do not service heater while hot or operating.
- Never connect heater to an unregulated gas supply.
- Use only the electrical/power cord specified. Electrical and grounding connection must comply with National Electrical Code - ANSI/NFPA 70 (USA) and CSA C22.1 Canadian Electrical Code, Part 1 (Canada).
- To prevent injury, always wear gloves when handling heater. Never handle an operating or hot heater, as severe burns may result.
- Use heater in accordance with all local codes. In the absence of local codes, refer to The National Fuel Code, ANSI Z223.1.

NEVER LEAVE HEATER UNATTENDED WHILE BURNING, CONNECTED TO A POWER SOURCE, OR WHILE CONNECTED TO A FUEL SOURCE

MASTER

**Propane
Forced Air Heaters**

General Safety Information (Continued)

- This heater is shipped from the factory for use with LP (propane) gas only. Do not convert to any other gas. Installation must conform to local codes, or in their absence, with the standard for the Storage and Handling of Liquefied Petroleum Gases ANSI/NFPA 58.
- Use only the regulator and hose assembly provided with this heater. Inspect the regulator/hose assembly prior to each use of the heater. If there is excessive abrasion or wear, or if the hose is cut, replace it with the proper assembly shown in the parts list, prior to using the heater.
- Gas supply connections should be checked by using a 50/50 soap and water solution. Never use a flame to check for gas leaks.
- Locate LP cylinder at least 6 feet from the heater, and do not direct heater discharge towards the LP cylinder unless it is at least 20 feet from the heater.
- The electrical connection and grounding must comply with the National Electrical Code, ANSI/NFPA 70. Use only a properly grounded three (3) prong receptacle.
- Do not restrict air inlet or outlet areas of the heater.

Operation

REFILLING THE LP CYLINDER

ALL NEW LP CYLINDERS MUST BE PURGED BEFORE THE FIRST FILLING.

⚠ WARNING *Purging and filling of LP cylinders must be performed by personnel who have been thoroughly trained in accepted LP gas industry procedures. Failure to follow these instructions may result in explosion, fire, severe personal injury or death.*

Average Temp.(°F)	MH-40 20 or 100lb. cylinder	MH-60V 20 or 100lb. cylinder	MH-125V 100lb. cylinder	MH-150V 100lb. cylinder
32°	1	1	2	2
20°	1	1	2	2
10°	1	1	3	3
0°	1	1	3	3
-10°	2	2	Use larger tank	Use larger tank
-20°	2	2	Use larger tank	Use larger tank

Table 2: The table above shows the minimum number of 100 lb LP cylinders required in cold weather. Your local LP dealer will help you select the proper LP supply system.

- Turn heater gas valve knob and LP cylinder valve to OFF position.
- LP cylinder valve equipped with old style fitting has LEFT-HANDED THREADS. Turn fitting CLOCKWISE to loosen. Protect this fitting when disconnected from LP cylinder.
- Have your LP cylinder filled by your local Propane gas supplier.
- Some LP cylinders have a bleed-off valve. This valve should be inspected for leaks after each filling of the LP cylinder. Turn the valve clockwise to close.
- Fasten full Propane tank and connect proper fitting to LP cylinder valve by turning COUNTERCLOCKWISE.
- With heater gas valve knob still in OFF position, turn ON LP cylinder valve and check for leaks with soap solution.

⚠ CAUTION *Propane is safe to use when properly handled. Careless handling of the LP cylinder could result in a fire and/or an explosion. Therefore:*

- Always keep LP cylinder securely fastened and in an upright position.
- Avoid tipping the LP cylinder on its side when connected to a regulator, since this may cause damage to the diaphragm in the regulator.
- Handle valves with care.
- Never connect an unregulated LP cylinder to a construction heater.
- Do not subject LP cylinder to excessive heat.
- Tightly close the gas shutoff valve on the LP cylinder after each use.
- All fittings must be protected when disconnected from the LP cylinder.
- Never store an LP cylinder inside a building or in the vicinity of any gas burning appliance.

⚠ CAUTION *The disconnected tank must never be stored in a building, garage or any other enclosed area.*

- Do not restrict inlet or outlet of heater. Heater is never to be used with ductwork.

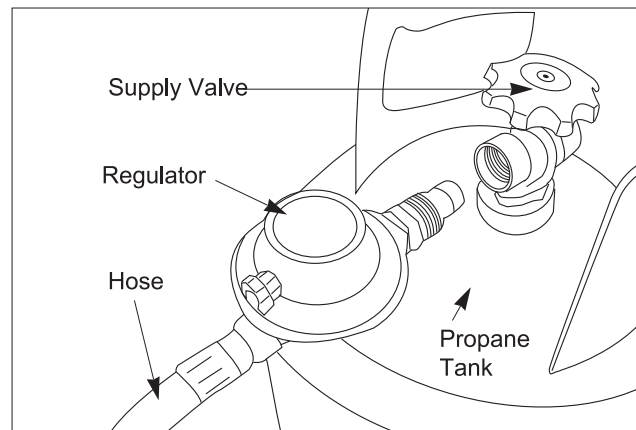


Figure 2 Connecting Hose / Regulator to LP Cylinder

NEVER LEAVE HEATER UNATTENDED WHILE BURNING, CONNECTED TO A POWER SOURCE, OR WHILE CONNECTED TO A FUEL SOURCE

MASTER

Propane Forced Air Heaters

Operation (Continued)

CHECKING FOR LEAKS

- To check for leaks, make up a 50/50 solution of dish soap and water. Apply this solution to all gas connections. If bubbles appear, there is a leak. If a leak is found, turn off the gas supply, and re-connect the leaking connection. If the leak persists after several tries, contact Pinnacle Customer Service at 215-891-8460.
- The installation of this heater must meet all local codes and/or gas utility requirements. In the absence of local codes, the National Fuel Code ANSI Z223.1 should be followed.
- The minimum clearances to any combustible construction materials must be maintained at all times (See Page 3).

VENTILATION

CAUTION Always provide a fresh air opening in the heated space of at least three square feet (2,800 sq. cm.) for each 100,000 BTU/Hr of heater output. For example, a MH-150V-GFA will require:

- a two-car garage door open 6 inches, or
- a single car garage open 9 inches, or
- two thirty two inch wide windows open 15 inches.

LIGHTING INSTRUCTIONS

1. Connect power cord to a properly grounded three (3) prong 120V, 60 Hz, extension cord.
Extension Cord Wire Requirements:
6 to 10 feet (1.8 to 3 meters) long, use 18 AWG conductor.
11 to 100 feet (3.4 to 30.53 meters) long, use 16 AWG conductor.
101 to 200 feet (30.8 to 61 meters) long, use 14 AWG conductor.
2. Connect heater to a proper LP cylinder.
3. Turn gas valve clockwise to OFF position.
4. Wait five (5) minutes for any gas to clear. Smell for gas; if you do not smell gas, go to Step 4.
5. Push in and turn gas control knob counterclockwise to LOW/IGN position. This will light the burner. If needed, keep pressing control knob until the burner lights and keep pressing and turning from OFF to LOW/IGN on Piezo electric spark models (HIGH/IGN on Model MH-40-GFA).
6. Keep the valve knob depressed for at least 30 seconds after lighting the burner. After 30 seconds, release valve knob.
7. If burner does not stay lit, repeat lighting procedure.
8. When burner stays lit, turn gas valve knob counterclockwise to desired setting (All models except MH-40-GFA).

SHUTDOWN INSTRUCTIONS

To shut off heater:

1. Turn gas valve knob clockwise to OFF position.
2. Turn gas supply OFF by turning LP cylinder valve clockwise to close.
3. Disconnect the power cord.

TEST FIRING THE HEATER

Test fire your construction heater following the lighting instructions applicable to the gas control system employed.

Leak test all gas connections with 50/50 soap and water solution prior to start-up. Soap bubbles indicate a gas leak. DO NOT use a match or flame to test for gas leaks.

NOTE: Heater surface temperature must be cold before initiating service, cleaning or storage.

STORAGE

Always disconnect the heater from the LP cylinder before putting the heater into storage. If for any reason the heater is to be stored indoors, the tank MUST be disconnected from the LP cylinder, and the cylinder stored outdoors in a well-ventilated area, out of the reach of children, and in accordance with the Standard for Storage and Handling of Liquefied Gases, ANSI/NFPA 58 - latest edition. The plastic valve plug or valve cover supplied with the cylinder must be re-installed on the valve to protect the fitting from damage.

DANGER *Never store an LP cylinder inside of a building, or near any other gas or oil burning appliances.*

NOTE: Installation and repair of this heater should be done by a qualified service person.

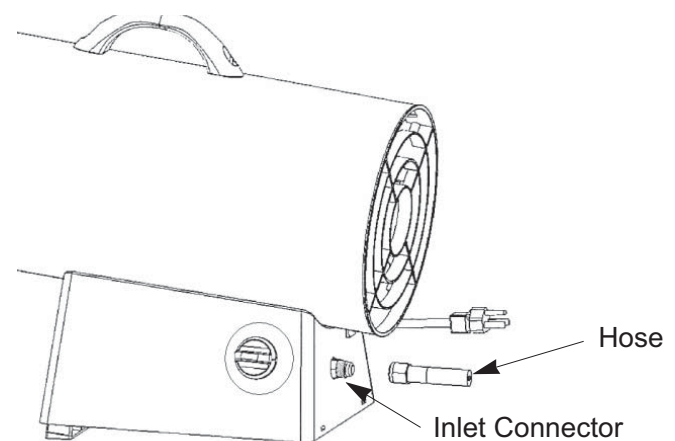


Figure 3. Connecting Hose to Heater Inlet

NEVER LEAVE HEATER UNATTENDED WHILE BURNING, CONNECTED TO A POWER SOURCE, OR WHILE CONNECTED TO A FUEL SOURCE

MASTER

**Propane
Forced Air Heaters**

Wiring Diagrams

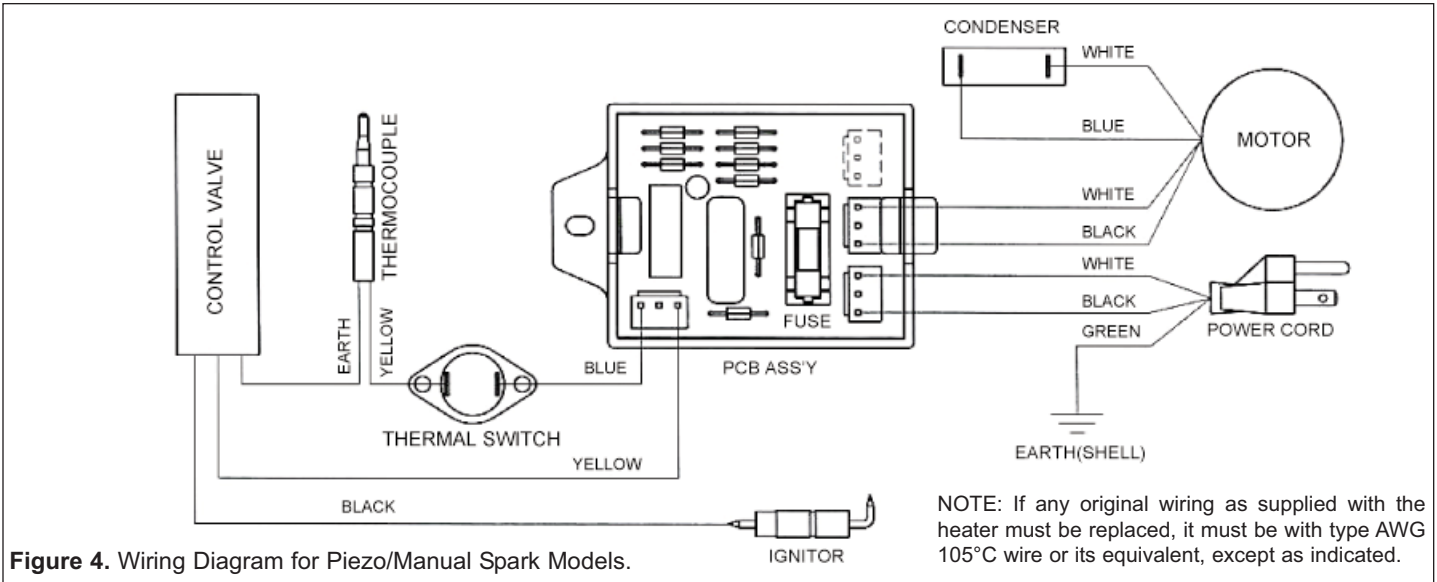


Figure 4. Wiring Diagram for Piezo/Manual Spark Models.

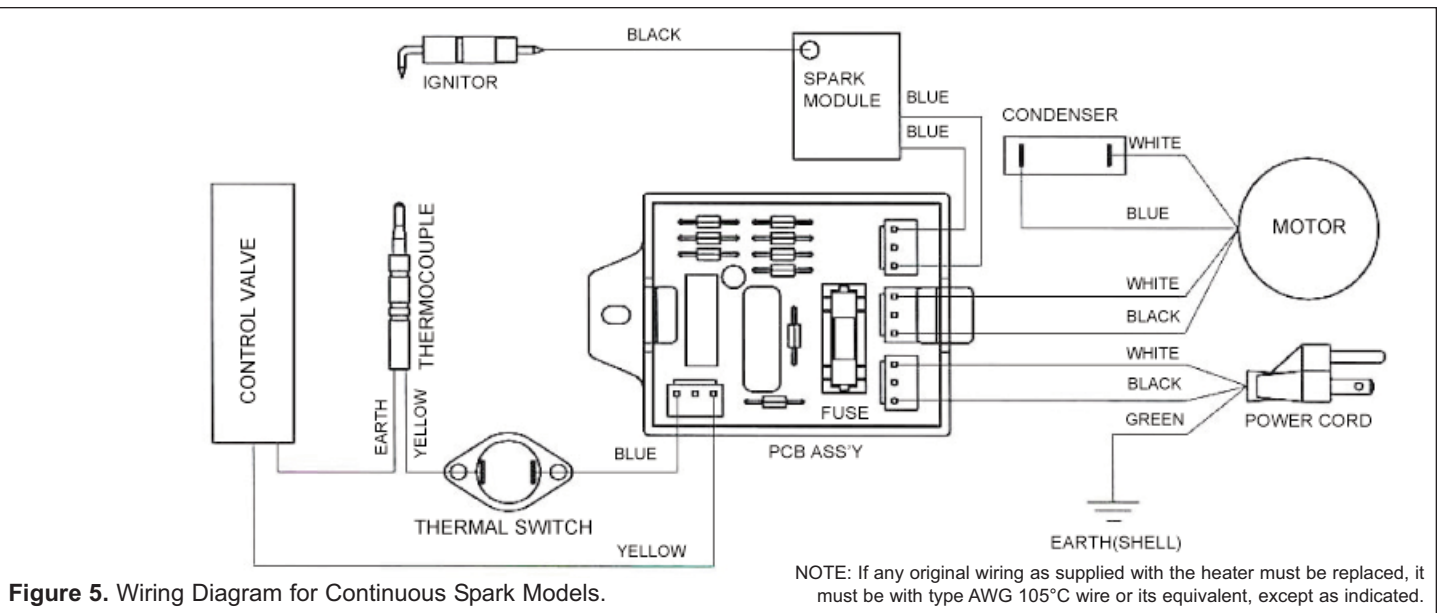


Figure 5. Wiring Diagram for Continuous Spark Models.

Repair Parts List for Propane Construction Heater

Reference Number	Description	Part Number for Models:				Quantity
		MH-40-GFA	MH-60V-GFA	MH-125V-GFA	MH-150V-GFA	
1	Outer Shell	22-524-0075	22-524-0076	22-524-0077	22-524-0077	1
2	Inner Shell Assembly	22-524-0004	22-524-0004	22-524-0005	22-524-0005	1
3	Base	22-501-0003	22-501-0001	22-501-0002	22-501-0002	1
4	Height Controller	22-512-0005	22-512-0005	22-512-0008	22-512-0008	1
5	Base Cover	22-508-0003	22-508-0001	22-508-0002	22-508-0002	1
6	Inner Shell Cap	22-505-0006	22-505-0010	22-505-0011	22-505-0008	1
7	Multi Bracket Assembly	22-504-0002	22-504-0002	22-504-0002	22-504-0003	1
8	Thermal Switch	22-603-0001	22-603-0001	22-603-0001	22-603-0001	1
9	Tubing Assembly	22-605-0001	22-605-0001	22-605-0005	22-605-0005	1
10	Nozzle	22-081-0007	22-081-0014	22-081-0015	22-081-0004	1

**NEVER LEAVE HEATER UNATTENDED
WHILE BURNING, CONNECTED TO A
POWER SOURCE, OR WHILE
CONNECTED TO A FUEL SOURCE**

MASTER

**Propane
Forced Air Heaters**

Exploded Drawing/Part Breakdown

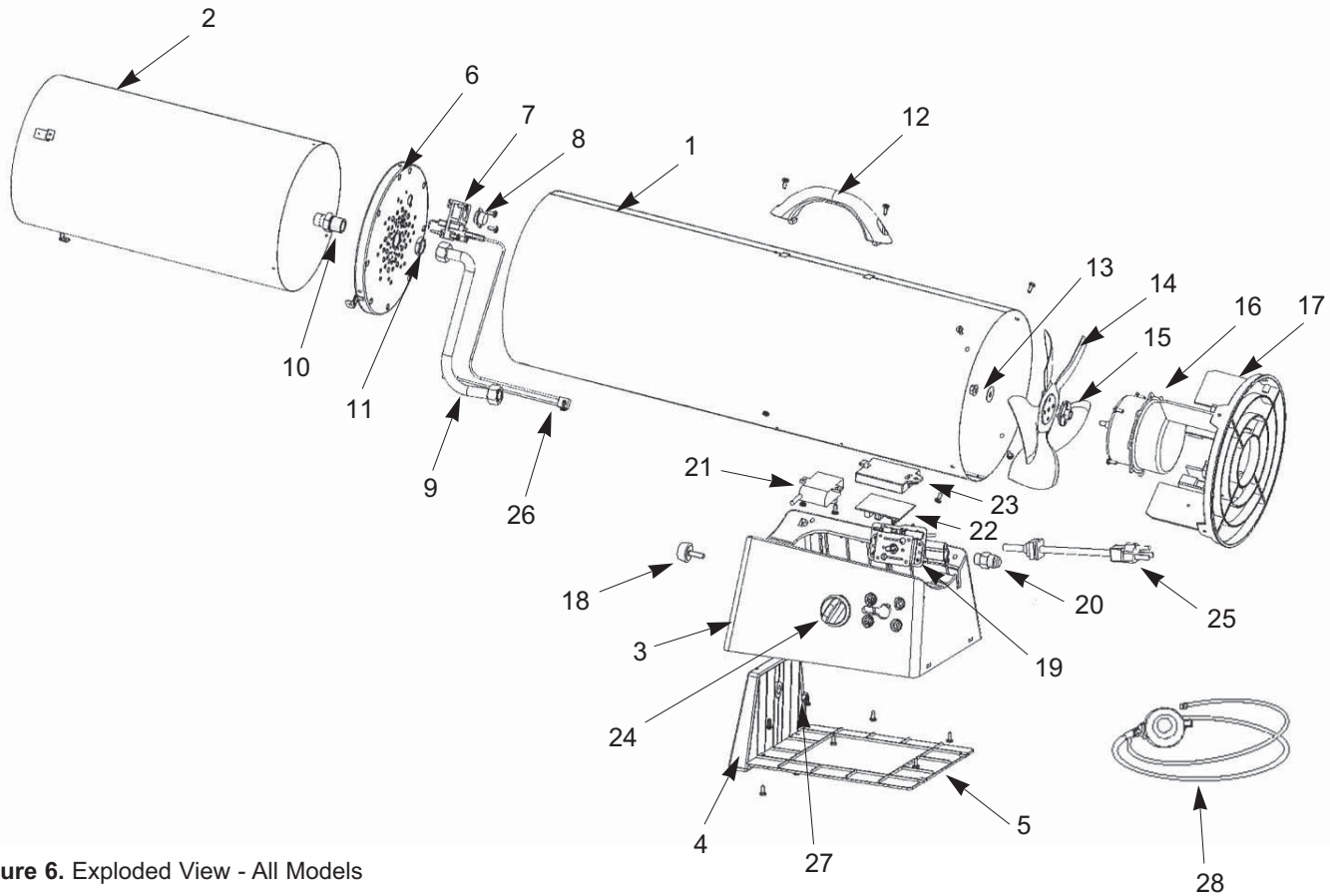


Figure 6. Exploded View - All Models

Repair Parts List for Propane Construction Heater (Continued)

Reference Number	Description	Part Number for Models:				Quantity
		MH-40-GFA	MH-60V-GFA	MH-125V-GFA	MH-150V-GFA	
11	Nozzle Nut	22-518-0001	22-518-0001	22-518-0001	22-518-0002	1
12	Handle	22-511-0004	22-511-0005	22-511-0005	22-511-0005	1
13	Flange Hex Nut	22-518-0003	22-518-0003	22-518-0003	22-518-0003	1
14	Fan	22-514-0001	22-514-0001	22-514-0002	22-514-0002	1
15	Cushion Pad	22-509-0001	22-509-0001	22-509-0001	22-509-0001	1
16	Motor Assembly	22-061-0015	22-061-0015	22-061-0016	22-061-0016	1
17	Guard	22-101-0003	22-101-0003	22-101-0004	22-101-0004	1
18	Round Bolt	22-503-0002	22-503-0002	22-503-0003	22-503-0003	1
19	Valve Assembly	22-011-0005	22-011-0017	22-011-0018	22-011-0008	1
20	Inlet Connector	22-507-0003	22-507-0003	22-507-0003	22-507-0003	1
21	Spark Module	—	22-604-0005	22-604-0005	22-604-0005	1
22	PCB Assembly	22-521-0001	22-521-0002	22-521-0002	22-521-0002	1
23	PCB Case	22-506-0001	22-506-0001	22-506-0001	22-506-0001	1
24	Valve Knob	22-516-0001	22-516-0001	22-516-0001	22-516-0001	1
25	Power Cord Assembly	22-131-0001	22-131-0001	22-131-0001	22-131-0001	1
26	Thermal Switch Cable	22-601-0001	22-601-0001	22-601-0001	22-601-0001	1
27	Hex Nut	22-518-0004	22-518-0004	22-518-0004	22-518-0004	1
28	Regulator Assembly	22-041-0004	22-041-0004	22-041-0005	22-041-0005	1

Always be sure to follow proper maintenance procedures. This should include cleaning the inside the heater once a month, and checking the spark gap at least once a heating season.

NEVER LEAVE HEATER UNATTENDED WHILE BURNING, CONNECTED TO A POWER SOURCE, OR WHILE CONNECTED TO A FUEL SOURCE



**Propane
Forced Air Heaters**

Troubleshooting Guide

Problem	Possible Cause	Solution
Fan does not turn when electricity is connected	1. No electric power to heater 2. Blades of fan in contact with heater housing 3. Fan blades bent 4. Fan motor defective	1. Check current at outlet. If voltage is correct, inspect extension and power cords for cuts, frays or breaks 2. Check housing for damage. Be sure there are no dents in the housing obstructing the fan 3. Straighten all fan blades 4. Replace Motor Assembly
Heater will not fire (ignite)	1. No spark at module 2. Incorrect spark gap 3. Corroded electrode	1. Inspect module wire. Re-attach, or tighten if loose. Inspect Spark module, and replace if necessary. Inspect all other electrical components 2. Set plug gap to 0.16" (4mm) 3. Replace spark plug (Multi-Bracket Assembly)
Heater stops running by itself	1. Temperature inside heater is too high, causing thermal switch to shut down operation 2. Damaged control valve 3. Dust or debris accumulated in heater	1. If heater input or output is restricted, the inside temperature can become too hot. Keep the areas in front and behind heater clear of obstructions 2. Replace control valve (Valve Assembly) 3. Clean inside of heater

LIMITED WARRANTY

Pinnacle Products International, Inc. warrants this heater to the original retail purchaser only, to be free from defects in material and workmanship for a period of one (1) year from the date of initial purchase. This product must be properly installed, maintained and operated in accordance with the instructions provided.

Pinnacle Products International, Inc. requires reasonable proof of your date of purchase from an authorized retailer or distributor. Therefore, you should keep your sales slip, invoice, or cancelled check from the original purchase. This Limited Warranty shall be limited to the repair or replacement of parts, which prove defective under normal use and service within the warranty period, and which **Pinnacle Products International, Inc.** shall determine at its reasonable discretion.

This warranty does not apply to products purchased for rental use.

This Limited Warranty does not cover any failures or operating difficulties due to normal wear and tear, accident, abuse, misuse, alteration, misapplication, improper installation or improper maintenance and service by you or any third party. Failure to perform normal and routine maintenance on the heater, shipping damage, damage related to insects, birds, or animals of any kind, and damage due to weather conditions are also not covered. In addition, the Limited Warranty does not cover damage to the finish, such as scratches, dents, discoloration, rust or other weather damage, after purchase.

All transportation costs for the return of the damaged product or parts will be the responsibility of the purchaser. Upon receipt of damaged item, **Pinnacle Products International, Inc.** will examine the item and determine if defective. **Pinnacle Products International, Inc.** will repair or replace and return the item, freight pre-paid. If **Pinnacle Products International, Inc.** finds the item to be in normal operating condition, or not defective, the item will be returned freight collect. This Limited Warranty is in

lieu of all other express warranties. **Pinnacle Products International, Inc.** disclaims all warranties for products that are purchased from sellers other than authorized retailers or distributors.

AFTER THE PERIOD OF THE ONE (1) YEAR EXPRESS WARRANTY EXPIRES, **Pinnacle Products International, Inc.** DISCLAIMS ANY AND ALL IMPLIED WARRANTIES, INCLUDING WITHOUT LIMITATION THE IMPLIED WARRANTIES OF MERCHANTABILITY AND FITNESS FOR A PARTICULAR APPLICATION. FURTHER, **Pinnacle Products International, Inc.** SHALL HAVE NO LIABILITY WHATSOEVER TO PURCHASER OR ANY THIRD PARTY FOR ANY SPECIAL, INDIRECT, PUNITIVE, INCIDENTAL, OR CONSEQUENTIAL DAMAGES. **Pinnacle Products International, Inc.** assumes no responsibility for any defects caused by third parties. This Limited Warranty gives the purchaser specific legal rights; a purchaser may have other rights depending upon where he or she lives. Some states do not allow the exclusion or limitation of special, incidental or consequential damages, or limitations on how long a warranty lasts, so the above exclusion and limitations may not apply to you.

Pinnacle Products International, Inc. does not authorize any person or company to assume for it any other obligation or liability in connection with the sale, installation, use, removal, return, or replacement of its equipment, and no such representations are binding on **Pinnacle Products International, Inc.**

Always be sure to specify model number and serial number when making any claim with **Pinnacle Products International, Inc.** For your convenience use the space provided below to list this information:

Model #: _____

Serial #: _____

Date of Purchase: _____

MASTER®

Modelos No: MH-40-GFA, MH-60V-GFA,
MH-125V-GFA, MH-150V-GFA



IMPORTANTE: Lea y entienda todas las instrucciones que se dan en este manual antes de armar, encender o darle servicio al calentador. El uso indebido de este calentador puede causar lesiones graves.

Consumidor: *Guarde estas instrucciones para referencia en el futuro.*

▲ ADVERTENCIA

ADVERTENCIA GENERAL DE PELIGRO:

Asegúrese de cumplir con las instrucciones y advertencias suministradas con este calentador, o de lo contrario se puede sufrir la muerte, lesiones corporales y pérdida de la propiedad debido a los peligros de incendio, explosión, quemaduras, asfixia e intoxicación por monóxido de carbono. Sólo las personas que puedan seguir y entender estas instrucciones pueden utilizar o darle servicio a este calentador. Si necesita información sobre el calentador tal como un manual de instrucciones, etiquetas, etcétera, póngase en contacto con el fabricante.

▲ PELIGRO

No debe utilizarse en áreas residenciales ni en espacios cerrados con mala ventilación. Nunca ingrese o almacene un cilindro de propano en espacios interiores.

NUNCA DEJE DESATENDIDO EL CALENTADOR MIENTRAS ÉSTE ESTÉ ENCENDIDO, CONECTADO A UNA FUENTE DE ALIMENTACIÓN, O MIENTRAS ESTÉ CONECTADO A UNA FUENTE DE COMBUSTIBLE.

MASTER

Calentador para Uso en Tareas de Construcción a Propano

Especificaciones

Modelo	Capacidad de entrada	Consumo de gas	Entrada Eléctrica	Presión del múltiple	Amperaje	Peso Kg (Lb)	Tamaño L x A x Al (cm)
MH-40-GFA	40,000 BTU/Hr	1.9 lbs/hr	120V, 60 Hz	27.9 cm C.A.	0.60	5.1 (11.2)	46 x 18 x 33
MH-60V-GFA	40,000 a 60,000 BTU/Hr	1.9 a 2.8 lbs/hr	120V, 60 Hz	27.9 cm C.A.	0.60	5.1 (11.2)	46 x 18 x 33
MH-125V-GFA	95,000 a 125,000 BTU/Hr	4.4 a 5.8 lbs/hr	120V, 60 Hz	21.1 cm C.A.	0.80	8.0 (17.6)	64 x 22 x 39
MH-150V-GFA	120,000 a 150,000 BTU/Hr	5.5 a 6.9 lbs/hr	120V, 60 Hz	20.3 cm C.A.	0.80	8.0 (17.6)	64 x 22 x 39

Especificaciones sujetas a cambio sin previo aviso

Desempaque

1. Retire todos los materiales de embalaje aplicados al calentador para su envío. Mantenga montadas las tapas de plástico en el conector de entrada y en el conjunto del regulador y manguera cuando almacene la unidad.
2. Retire todos los artículos de la caja de envío.
3. Inspeccione los artículos para comprobar que no se hayan dañado durante el envío. Si el calentador está dañado, infórmele prontamente al concesionario de quien compró el calentador sobre dicho daño.

Características del producto

- Portátil, estable y totalmente armado.
- Resistente al viento y protegido contra la lluvia.
- Ignición de chispa continua o ignición de chispa piezoeléctrica.
- Sistema de apagado 100% seguro.
- Capacidades de entrada ajustables(excepto el MH-40-GFA-A).

INFORMACION SOBRE EL PROPANO

El tanque de gas propano (LP) también deberá estar equipado con lo siguiente:

- Un collar para proteger la válvula de gas.

- Una válvula de cierre conectada en la salida de la válvula del cilindro o tanque de gas propano según la especificación de la Norma Nacional Americana para la conexión de entradas y salidas de válvulas de cilindros de gas comprimido.
- Una válvula de alivio de seguridad con comunicación directa con el espacio de vapor del tanque.
- Una forma para retirar o sacar el vapor.

AVISO: El conjunto de la manguera y el regulador de presión del gas Propano (LP) suministrado con este calentador debe utilizarse sin hacerle ninguna alteración.

Información de Seguridad General

▲ PELIGRO Indica una situación de peligro inminente que, de no evitarse, CAUSARA la muerte o una lesión grave.

▲ ADVERTENCIA Indica una situación de posible peligro que, de no evitarse, PODRIA causar la muerte o una lesión grave.

▲ PRECAUCION Indica una situación de posible peligro que, de no evitarse, PODRIA causar lesiones leves o moderadas.

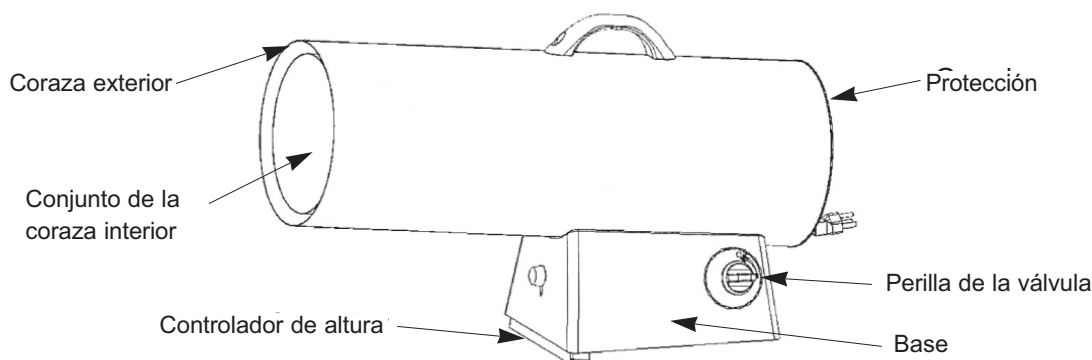


Figura 1. Características del producto

NUNCA DEJE DESATENDIDO EL CALENTADOR MIENTRAS ÉSTE ESTÉ ENCENDIDO, CONECTADO A UNA FUENTE DE ALIMENTACIÓN, O MIENTRAS ESTÉ CONECTADO A UNA FUENTE DE COMBUSTIBLE.

MASTER

Calentador para Uso en Tareas de Construcción a Propano

Información de Seguridad General (Continuación)

▲ ADVERTENCIA *Advertencia general de peligro: Si no se cumple con las precauciones e instrucciones suministradas con este calentador, se puede sufrir la muerte, lesiones corporales graves, y pérdida de la propiedad o daños debido a los peligros de incendio, explosión, quemadura, asfixia, intoxicación por monóxido de carbono y/o choque eléctrico. Sólo las personas que puedan entender y seguir estas instrucciones pueden utilizar o darle servicio a este calentador. Si necesita asistencia o información sobre el calentador tal como un manual de instrucciones, etiquetas, etcétera, póngase en contacto con el fabricante.*

▲ ADVERTENCIA *Peligro de incendio, quemaduras, inhalación y explosión. Mantenga los combustibles sólidos, tales como materiales de construcción, papel, cartón a una distancia prudente lejos del calentador según lo recomiendan las instrucciones. Nunca use el calentador en espacios que contengan o puedan contener productos como gasolina, disolventes, solventes de pintura, partículas de polvo, combustibles volátiles o en suspensión en el aire, o productos químicos desconocidos.*

Consumidor: Guarde estas instrucciones para referencia en el futuro.

▲ PELIGRO *El uso inadecuado de este calentador puede ocasionar lesiones graves o la muerte debido a quemaduras, incendio, explosión, choque eléctrico y/o envenenamiento por monóxido de carbono.*

Este calentador ha sido diseñado para uso en construcciones de acuerdo con la normas ANSI Z83.7a/CSA 2.14a-2007. Otras normas rigen el uso de gases combustibles y productos de calefacción para usos específicos. Sus autoridades locales pueden asesorarle sobre esas normas. Los calentadores para uso en tareas de construcción están diseñados principalmente para proporcionar calefacción temporal en edificios en construcción, alteración o reparación.

El calentador, usado correctamente, proporciona una calefacción económica y segura. Los productos de combustión se ventilan en el área siendo calentada.

▲ ADVERTENCIA *No ha sido diseñado para uso doméstico o en vehículos recreacionales.*

▲ ADVERTENCIA *No haga funcionar este calentador hasta que haya leído y entendido completamente las instrucciones de seguridad y operación. Si no se cumple con las precauciones e instrucciones suministradas con este calentador, se puede sufrir la muerte, lesiones corporales graves, pérdida de la propiedad o daños debido a los peligros de incendio, explosión, quemadura, asfixia o intoxicación por monóxido de carbono. Sólo las personas que puedan entender y seguir estas instrucciones pueden utilizar o darle servicio a este calentador.*

▲ ADVERTENCIA *Los productos derivados de combustión resultantes del uso de este producto contienen monóxido de carbono, un químico que el Estado de California reconoce como causante de cáncer, malformaciones congénitas u otros daños reproductivos.*

▲ ADVERTENCIA *No ha sido diseñado para uso doméstico o en vehículos recreacionales. El conjunto de la manguera debe estar protegido contra el trá-*

fico, materiales de construcción y el contacto con superficies calientes tanto durante el uso como durante el almacenamiento.

IMPORTANTE: Lea detenida y completamente este Manual del usuario antes de intentar usar o darle mantenimiento a este calentador. El uso inadecuado del calentador puede ocasionar lesiones graves o la muerte debido a incendio, explosión o envenenamiento por monóxido de carbono.

Toda posible circunstancia que podría implicar un peligro no puede ser anticipada. Las advertencias que aparecen en este manual y en la unidad no cubren por tanto todo. Si se utiliza un procedimiento, método de trabajo o técnica de operación no específicamente recomendado por Pinnacle, usted deberá asegurarse que es seguro para usted y para otros.

También deberá asegurarse que no se dañará el equipo ni se hará éste inseguro por el método de operación o mantenimiento que usted elija. CONSULTE CON LAS AUTORIDADES DE SEGURIDAD DE INCENDIOS DE SU LOCALIDAD SI TIENE ALGUNA DUDA SOBRE EL USO DE ESTE CALENTADOR. Este calentador ha sido diseñado y aprobado para uso como un calentador para uso en tareas de construcción bajo ANSI Z83.7a/CSA 2.14a-2007.

Otras normas rigen el uso de gases combustibles y materiales productores de calor en aplicaciones específicas. Sus autoridades locales pueden asesorarle sobre esas normas.

Éste es un calentador para construcciones, de aire forzado, de acción directa para uso en interiores o exteriores. La unidad ha sido diseñada principalmente para la calefacción temporal de edificios en construcción, o a los que se les están haciendo modificaciones o reparaciones. Todos los productos de combustión generados por este calentador son forzados a través del calentador y emitidos en el área siendo calentada. Este calentador funciona con una eficacia de combustión de aproximadamente mejor que un 98%, pero aún produce pequeñas cantidades de monóxido de carbono. Los humanos pueden tolerar pequeñas cantidades de monóxido de carbono durante cortos periodos de tiempo. El monóxido de carbono puede acumularse en un espacio calentado, y la falta de proporcionar una ventilación adecuada puede resultar en envenenamiento o la muerte.

IMPORTANTE INFORMACION SOBRE SEGURIDAD

- Los niños deben mantenerse lejos.
- Siempre mantenga las distancias de separación adecuadas de los materiales combustibles. Las distancias de separación mínimas deberán ser:

**Lados – 61 cm, Parte superior – 91.4 cm;
Frente – 183 cm.**

- El calentador debe colocarse en una base sólida y nivelada.
- Nunca ponga nada en el calentador, incluyendo vestimentas u otros artículos inflamables.
- No modifique el calentador ni utilice un calentador que haya sido modificado.

NUNCA DEJE DESATENDIDO EL CALENTADOR MIENTRAS ÉSTE ESTÉ ENCENDIDO, CONECTADO A UNA FUENTE DE ALIMENTACIÓN, O MIENTRAS ESTÉ CONECTADO A UNA FUENTE DE COMBUSTIBLE.

MASTER

Calentador para Uso en Tareas de Construcción a Propano

Información de Seguridad General (Continuación)

- Será necesario mantener una separación adecuada para el acceso, la combustión y la ventilación (suministro de aire) en todo momento cuando el calentador está funcionando.
- Todo trabajo de mantenimiento y reparación deberá ser realizado por un técnico de servicio calificado. El calentador deberá ser inspeccionado antes de cada uso y al menos anualmente por una persona calificada. Es posible que se requiera una limpieza más frecuente según sea necesario. No repare ni le dé mantenimiento al calentador mientras está caliente o funcionando
- Nunca conecte el calentador en una fuente de gas no regulada.
- Este calentador se envía de la fábrica para uso con gas LP (propano) únicamente. No lo convierta a ningún otro gas. La instalación deberá conformar con los códigos locales, o a falta de ellos, con la norma para el almacenamiento y la manipulación de gases de petróleo licuado ANSI/NFPA 58.
- Utilice únicamente el conjunto de regulador y manguera suministrado con este calentador. Inspeccione el conjunto del regulador y manguera antes de cada uso del calentador. Si está demasiado desgastado, o si la manguera está cortada, reemplace el conjunto con el conjunto correcto mostrado en la lista de partes, antes de usar el calentador.
- Las conexiones de suministro de gas deben revisarse usando una solución de 50/50 de agua y jabón. Nunca use una llama para verificar la presencia de fugas de gas.
- Sitúe el cilindro de propano al menos a 1.8 metros del calentador, y no oriente la descarga del calentador hacia el cilindro de gas a menos que éste se encuentre a una distancia de 6 metros del calentador.

- La conexión eléctrica y a tierra deberán cumplir con el Código Eléctrico Nacional (NEC), ANSI/NFPA 70. Utilice únicamente un receptáculo para tres (3) clavijas debidamente conectado a tierra.
- No obstruya las áreas de entrada y salida de aire del calentador.

Operación

RELLENO DEL TANQUE DE GAS PROPANO

TODO CILINDRO NUEVO DEBE PURGARSE ANTES DE LLENARLO POR PRIMERA VEZ.

⚠ ADVERTENCIA *Las acciones de purga y llenado de los tanques de LP deben ser realizadas por personal que esté completamente capacitado en los procedimientos aceptados de la industria de gas LP. El incumplimiento de estas instrucciones podría resultar en explosión, incendio, lesiones personales graves o la muerte.*

- Gire la perilla de la válvula de gas del calentador y la válvula del tanque de gas a la posición OFF (apagado).
- Las válvulas de tanque de propano equipadas con un accesorio de estilo antiguo tienen ROSCAS DE MANO IZQUIERDA. Gire el accesorio HACIA LA DERECHA para aflojarlo. Proteja este accesorio cuando esté desconectado del tanque.
- Haga que su distribuidor de gas propano le llene su tanque.
- Algunos tanques de propano tienen una válvula de purga. Esta válvula deberá inspeccionarse para ver si tiene fugas después de cada vez que se llene el tanque. Gire la válvula hacia la derecha para cerrarla.
- Sujete el tanque de propano lleno y conecte el accesorio adecuado en la válvula del tanque, girándolo HACIA LA IZQUIERDA.
- Con la perilla de la válvula de gas del calentador en la posición OFF (apagado), abra la válvula del tanque y revise para ver si hay fugas usando una solución de jabón.

⚠ PRECAUCIÓN *El propano es seguro para usar cuando se manipula correctamente. La manipulación negligente del tanque de gas propano podría resultar en un incendio y/o una explosión. Por consiguiente:*

- Siempre mantenga firmemente sujetado y en posición vertical el tanque o cilindro.
- Evite inclinar el tanque hacia un lado cuando esté conectado a un regulador, ya que eso podría causar daño al diafragma en el regulador.
- Trate las válvulas con cuidado.
- Nunca conecte un tanque de propano no regulado en un calentador para construcción.
- No someta el tanque de propano a un calor excesivo.
- Cierre firmemente la válvula de cierre de gas en el tanque de propano después de cada uso.
- Todos los accesorios deben protegerse cuando están desconectados del tanque de LP.

Número de tanques necesarios

Temperatura (°C) en el tanque	40,000 a 60,000 BTU/Hr	125,000 BTU/Hr	150,000 BTU/Hr
0.0	1	2	2
-6.6	1	2	2
-12.2	1	3	3
-17.7	1	3	3
-23.3	2	Usar un tanque más grande	Usar un tanque más grande
-28.8	2	Usar un tanque más grande	Usar un tanque más grande

El cuadro que aparece arriba muestra el número de tanques de 100 libras (45.4 kg) necesarios para operar los calentadores a una cierta temperatura. Se vaporiza menos gas a temperaturas más bajas. Es posible que necesite dos o más tanques de 100 libras (45.4 kg), o un tanque más grande en climas fríos. Su distribuidor local de gas propano le ayudará a seleccionar el sistema de suministro adecuado.

NUNCA DEJE DESATENDIDO EL CALENTADOR MIENTRAS ÉSTE ESTÉ ENCENDIDO, CONECTADO A UNA FUENTE DE ALIMENTACIÓN, O MIENTRAS ESTÉ CONECTADO A UNA FUENTE DE COMBUSTIBLE.

MASTER

Calentador para Uso en Tareas de Construcción a Propano

Operación (Continuación)

- Nunca almacene un tanque de gas propano dentro de un edificio o cerca de cualquier aparato que queme gas.

▲ PRECAUCIÓN *El tanque desconectado nunca debe almacenarse en un edificio, garaje o cualquier otra área cerrada.*

INSPECCIÓN DE FUGAS

- Revise todas las conexiones con una solución de 50/50 de agua y jabón para asegurarse que estén bien apretadas y herméticas.
- La instalación de su calentador deberá cumplir con todos los códigos locales y/o requisitos de la compañía de servicio de gas, o a falta de códigos locales, con el Código Nacional de Combustibles ANSI Z223.1.
- Las distancias mínimas de separación de materiales de construcción combustibles mostradas en la Página 3 deberán mantenerse en todo momento.

INSTRUCCIONES DE ENCENDIDO

1. Conecte el cordón de alimentación en un cable de extensión de tres (3) clavijas, de 120V, 60 Hz, debidamente conectado a tierra.

Requisitos de tamaño de conductor del cordón de extensión:

1.8 a 3 metros (6 a 10 pies) de largo, utilice un conductor 18 AWG.

3.4 a 30.5 metros (11 a 100 pies) de largo, utilice un conductor 16 AWG.

30.8 a 61 metros (101 a 200 pies) de largo, utilice un conductor 14 AWG.

2. Conecte el calentador a un cilindro LP adecuado.
3. Gire la válvula de gas hacia la derecha a la posición OFF (apagado).
4. Espere cinco (5) minutos para que el gas presente se disipe. Use el olfato para oler gas; si no huele gas, proceda al Paso 5.
5. Empuje hacia adentro la perilla de control del gas y gírela hacia la izquierda a la posición LOW/IGN (Bajo/Ign). Esto encenderá el quemador. Si es necesario, mantenga presionada la perilla de control del gas hasta que el quemador se encienda y continúe presionando y girando de OFF a LOW/IGN en los modelos de chispa piezoeléctrica (HIGH/IGN en el Modelo MH-40-GFA).
6. Mantenga la perilla de la válvula presionada por espacio de 30 segundos luego de que se encienda el quemador. Luego de transcurridos 30 segundos, suelte la perilla de la válvula.
7. Si el quemador se apaga, repita el procedimiento de encendido.
8. Cuando el quemador permanezca encendido, gire la perilla de la válvula de gas hacia la izquierda hasta el ajuste deseado (todos los modelos, excepto el MH-40-GFA).

INSTRUCCIONES DE APAGADO

Para apagar el calentador:

1. Gire la perilla de la válvula de gas hacia la derecha a la posición OFF (apagado).
2. Gire hacia la derecha la válvula del tanque de propano para cerrar la válvula y cortar el suministro de gas.
3. Desconecte el cordón de alimentación eléctrica.

INTENTE ENCENDER EL CALENTADOR

Intente encender su calentador para construcción de acuerdo con las instrucciones de encendido aplicables al sistema de control de gas empleado.

Someta todas las conexiones de gas a una prueba de fugas con una solución de 50/50 de agua y jabón antes de encender el calentador. Las burbujas de jabón indican que hay una fuga de gas. NUNCA use un fósforo o una llama para comprobar si hay fugas.

AVISO: La temperatura de la superficie del calentador deberá estar fría antes de almacenar el calentador o iniciar el mantenimiento o la limpieza del mismo.

ALMACENAMIENTO

Nunca almacene un tanque de gas propano dentro de un edificio o cerca de cualquier aparato que queme gas o aceite. Cuando el tanque de propano no se desconecta del calentador para uso en tareas de construcción, el tanque de gas y el calentador deben almacenarse afuera en un área bien ventilada y fuera del alcance de los niños. Si por cualquier razón ha de almacenarse el calentador en un lugar interior, el tanque, primero se debe desconectar y desmontar del conjunto de la base del calentador y almacenar en un área exterior bien ventilada y fuera del alcance de los niños, de acuerdo con la más reciente edición de la Norma para el almacenamiento y la manipulación de gases de petróleo licuado ANSI/NFPA 58. El tapón de plástico de la válvula del tanque suministrado con su tanque deberá estar firmemente instalado cuando el tanque esté desconectado del calentador.

AVISO: Todo trabajo de instalación y reparación deberá ser realizado por un técnico de servicio calificado.

▲ PELIGRO *No debe utilizarse en áreas residenciales ni en espacios cerrados con mala ventilación. Nunca ingrese o almacene un cilindro de propano en espacios interiores.*

NUNCA DEJE DESATENDIDO EL CALENTADOR MIENTRAS ÉSTE ESTÉ ENCENDIDO, CONECTADO A UNA FUENTE DE ALIMENTACIÓN, O MIENTRAS ESTÉ CONECTADO A UNA FUENTE DE COMBUSTIBLE.

MASTER

Calentador para Uso en Tareas de Construcción a Propano

Diagramas eléctricos

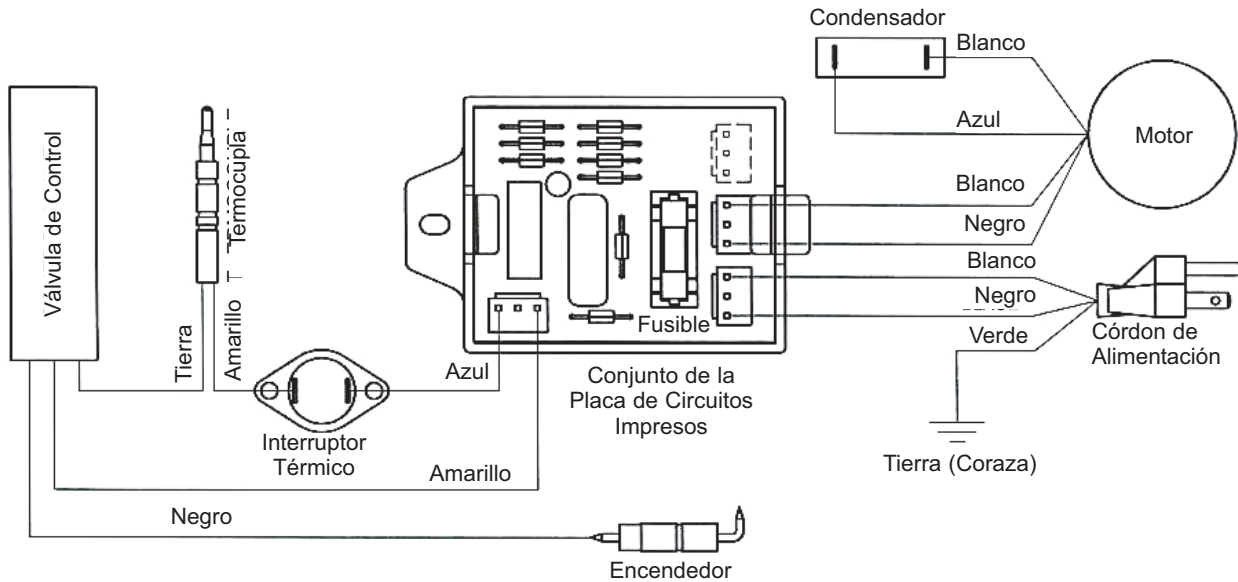


Figura 2 – Modelos de Chispa Piezoeléctrica/Manual

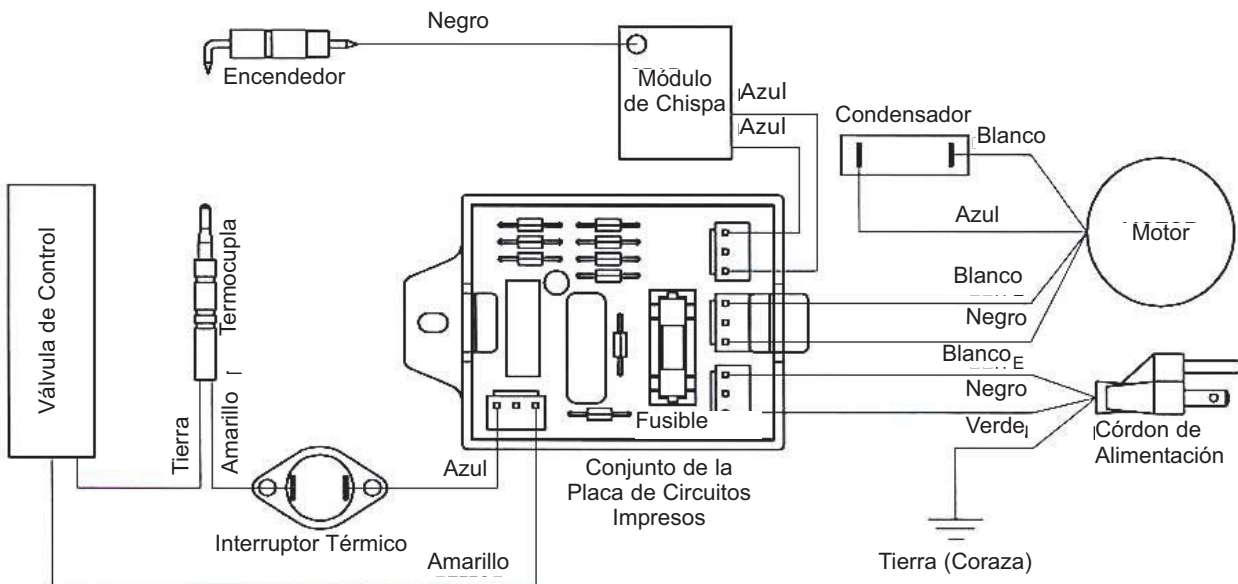


Figura 3 – Modelos de Chispa Continua

NUNCA DEJE DESATENDIDO EL CALENTADOR MIENTRAS ÉSTE ESTÉ ENCENDIDO, CONECTADO A UNA FUENTE DE ALIMENTACIÓN, O MIENTRAS ESTÉ CONECTADO A UNA FUENTE DE COMBUSTIBLE.



Calentador para Uso en Tareas de Construcción a Propano

Tabla de Identificación de Problemas

Síntoma	Causa(s) Posible(s)	Medida Correctiva
El ventilador no gira cuando se le conecta la energía eléctrica	1. El calentador no recibe alimentación eléctrica.	1. Verifique la corriente en el tomacorriente. Si el voltaje es correcto, inspeccione el cordón de alimentación para ver si está cortado o está roto
	2. El aspa del ventilador hace contacto con la parte interior del alojamiento del calentador	2. Asegúrese que el alojamiento no esté dañado. Asegúrese que el ventilador no esté obstruido
	3. El aspa(s) del ventilador está doblada	3. Enderece el aspa(s) para que quede como las otras
	4. El motor del ventilador está defectuoso	4. Reemplace el motor
El calentador no se enciende	1. No hay chispa en el encendedor	1. Inspeccione el conductor del encendedor. Reconéctelo o apriételo si está suelto. Revise el módulo de chispa. Reemplace según sea necesario. Revise todos los componentes eléctricos
	2. Separación de chispa incorrecta	2. Ajuste la separación a 4.1 mm (0.16 pulg.)
	3. Electrodo dañado	3. Reemplace la bujía
El calentador se apaga cuando está funcionando	1. La temperatura interior es demasiado alta y causa que el interruptor limitador apague la unidad	1. Si se restringe la salida del calentador, la temperatura interior sube demasiado. Mueva el calentador lejos de toda obstrucción
	2. Válvula de control dañada	2. Reemplace la válvula de control
	3. Hay polvo o restos de material acumulados dentro del calentador	3. Limpie el interior del calentador

NUNCA DEJE DESATENDIDO EL CALENTADOR MIENTRAS ÉSTE ESTÉ ENCENDIDO, CONECTADO A UNA FUENTE DE ALIMENTACIÓN, O MIENTRAS ESTÉ CONECTADO A UNA FUENTE DE COMBUSTIBLE.

MASTER®

Calentador para Uso en Tareas de Construcción a Propano

Dibujo de despiece de piezas

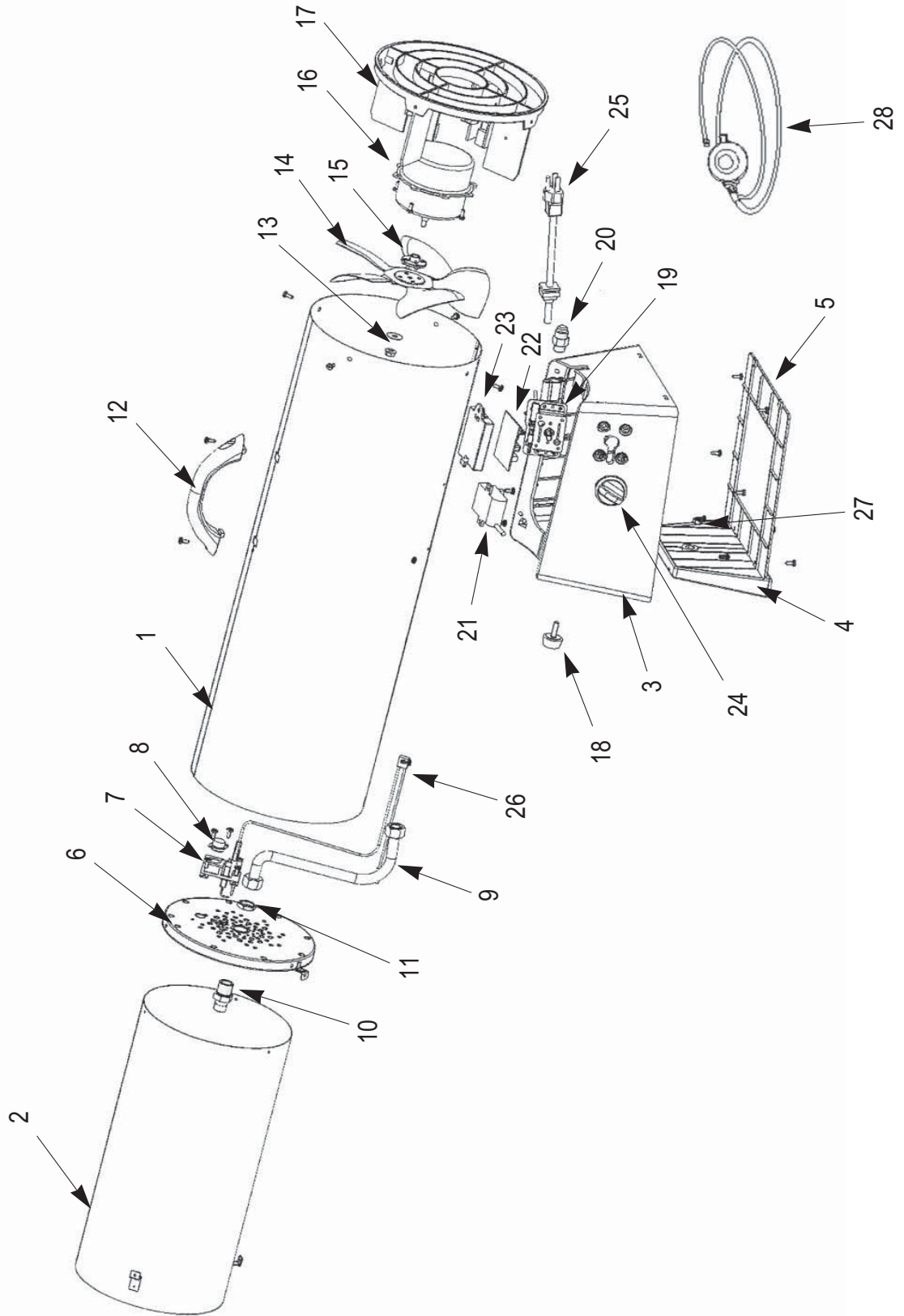


Figura 4 – Ilustración de las Partes de Reparación para el Calentador para Uso en Tareas de Construcción a Propano

NUNCA DEJE DESATENDIDO EL CALENTADOR MIENTRAS ÉSTE ESTÉ ENCENDIDO, CONECTADO A UNA FUENTE DE ALIMENTACIÓN, O MIENTRAS ESTÉ CONECTADO A UNA FUENTE DE COMBUSTIBLE.

MASTER®

Calentador para Uso en Tareas de Construcción a Propano

Lista de Partes de Reparación para el Calentador para Uso en Tareas de Construcción a Propano

Número de Referencia	Descripción	Número de Parte para Modelos:			
		MH-40-GFA	MH-60V-GFA	MH-125V-GFA	MH-150V-GFA
1	Coraza exterior	22-524-0075	22-524-0076	22-524-0077	22-524-0077
2	Conjunto de la coraza interior	22-524-0004	22-524-0004	22-524-0005	22-524-0005
3	Base	22-501-0003	22-501-0001	22-501-0002	22-501-0002
4	Controlador de altura	22-512-0005	22-512-0005	22-512-0008	22-512-0008
5	Cubierta de la base	22-508-0003	22-508-0001	22-508-0002	22-508-0002
6	Tapa de la coraza interior	22-505-0006	22-505-0010	22-505-0011	22-505-0008
7	Conjunto de soportes múltiples	22-504-0002	22-504-0002	22-504-0002	22-504-0003
8	Interruptor térmico	22-603-0001	22-603-0001	22-603-0001	22-603-0001
9	Conjunto de tuberías	22-605-0001	22-605-0001	22-605-0005	22-605-0005
10	Boquilla	22-081-0007	22-081-0014	22-081-0015	22-081-0004
11	Tuerca de la boquilla	22-518-0001	22-518-0001	22-518-0001	22-518-0002
12	Asidero	22-511-0004	22-511-0005	22-511-0005	22-511-0005
13	Tuerca hexagonal de pestaña	22-518-0003	22-518-0003	22-518-0003	22-518-0003
14	Ventilador	22-514-0001	22-514-0001	22-514-0002	22-514-0002
15	Bloque de cojín	22-509-0001	22-509-0001	22-509-0001	22-509-0001
16	Conjunto del motor	22-061-0015	22-061-0015	22-061-0016	22-061-0016
17	Protección	22-101-0003	22-101-0003	22-101-0004	22-101-0004
18	Perno redondo	22-503-0002	22-503-0002	22-503-0003	22-503-0003
19	Conjunto de la válvula	22-011-0005	22-011-0017	22-011-0018	22-011-0008
20	Conector de entrada	22-507-0003	22-507-0003	22-507-0003	22-507-0003
21	Módulo de chispa	—	22-604-0005	22-604-0005	22-604-0005
22	Conjunto de la placa de circuitos impresos	22-521-0001	22-521-0002	22-521-0002	22-521-0002
23	Caja de la placa de circuitos impresos	22-506-0001	22-506-0001	22-506-0001	22-506-0001
24	Perilla de la válvula	22-516-0001	22-516-0001	22-516-0001	22-516-0001
25	Conjunto del cordón de alimentación	22-131-0001	22-131-0001	22-131-0001	22-131-0001
26	Cable del interruptor térmico	22-601-0001	22-601-0001	22-601-0001	22-601-0001
27	Tuerca hexagonal	22-518-0004	22-518-0004	22-518-0004	22-518-0004
28	Conjunto del regulador	22-041-0004	22-041-0004	22-041-0005	22-041-0005

NUNCA DEJE DESATENDIDO EL CALENTADOR MIENTRAS ÉSTE ESTÉ ENCENDIDO, CONECTADO A UNA FUENTE DE ALIMENTACIÓN, O MIENTRAS ESTÉ CONECTADO A UNA FUENTE DE COMBUSTIBLE.

MASTER

Calentador para Uso en Tareas de Construcción a Propano

GARANTÍA LIMITADA DE 1 AÑO

Pinnacle Products International, Inc. garantiza este calentador al comprador minorista original solamente con respecto a lo siguiente: que estará libre de defectos de material y de mano de obra por un período de un (1) año a partir de la fecha de compra original. Este producto debe instalarse, mantenerse y operarse correctamente de acuerdo con las instrucciones suministradas.

Pinnacle Products International, Inc. requiere una prueba razonable de su fecha de compra de un minorista o distribuidor autorizado. Por lo tanto, usted debe guardar su recibo de venta, factura o el cheque cancelado de la compra original. Esta Garantía limitada estará limitada a la reparación o el reemplazo de piezas que se comprueben están defectuosas bajo un uso y mantenimiento normal dentro del período de la garantía, y que **Pinnacle Products International, Inc.** determinará a su discreción razonable.

Esta garantía no se aplica a los productos adquiridos para uso alquilado.

Esta Garantía limitada no cubre ningún fallo ni dificultad de funcionamiento debido a un desgaste normal, accidente, abuso, mal uso, alteración, aplicación incorrecta, instalación incorrecta o un mantenimiento y servicio inadecuados realizados por usted o cualesquiera terceros. Asimismo, la garantía no cubre los siguientes: la falta de realizar los mantenimientos normales y de rutina en el calentador, daños de envío, daños relacionados con los insectos, aves o animales de cualquier tipo, y daños debido a las condiciones climáticas. Adicionalmente, la Garantía limitada no cubre daños del acabado, como rayaduras, abolladuras, cambios de color, oxidación u otros daños climáticos, después de la compra.

El comprador será responsable de todos los gastos de transportación para la devolución del producto dañado o piezas dañadas. Al recibir el artículo dañado, **Pinnacle Products International, Inc.** lo examinará y determinará si está defectuoso. Pinnacle Products International, Inc. reparará o reemplazará y devolverá el artículo con porte pagado. Si **Pinnacle Products International, Inc.** determina que el artículo está en condición normal de funcionamiento o no defectuoso, el artículo será devuelto con flete por pagar.

Esta Garantía limitada sustituye toda otra garantía expresa. **Pinnacle Products International, Inc.** excluye todas las garantías de los productos comprados de otros vendedores que no sean minoristas o distribuidores autorizados.

DESPUÉS DEL VENCIMIENTO DEL PERÍODO DE UN (1) AÑO DE LA GARANTÍA LIMITADA, **Pinnacle Products International, Inc.** EXCLUIRÁ CUALESQUIERA Y TODAS LAS GARANTÍAS IMPLÍCITAS, INCLUYENDO SIN LIMITACIÓN, LAS GARANTÍAS IMPLÍCITAS DE COMERCIALIZACIÓN Y ADECUACIÓN PARA UNA APLICACIÓN EN PARTICULAR. ADEMÁS, **Pinnacle Products International, Inc.** NO ASUME NINGUNA RESPONSABILIDAD ANTE EL COMPRADOR O CUALQUIER TERCERO POR CUALESQUIERA DAÑOS ESPECIALES, INDIRECTOS, PUNITIVOS, INCIDENTALES O CONSECUENTES. **Pinnacle Products International, Inc.** no asume ninguna responsabilidad por cualquier defecto causado por terceros. Esta Garantía limitada le otorga derechos legales específicos al comprador, y es posible que el comprador tenga otros derechos, dependiendo del lugar donde vive. Algunos Estados no permiten la exclusión ni limitación de daños especiales, incidentales o consecuentes, ni limitaciones de la duración de una garantía; por lo que es posible que la exclusión y las limitaciones anteriores no se apliquen a usted.

Pinnacle Products International, Inc. no autoriza a ninguna persona o compañía a asumir a nombre de ella cualquier otra obligación o responsabilidad relacionada con la venta, instalación, uso, desmontaje, devolución o reemplazo de su equipo y ninguna tal representación será obligatoria para **Pinnacle Products International, Inc.**

Siempre asegúrese de especificar el número de modelo y el número de serie cuando presente reclamos a **Pinnacle Products International, Inc.** Para su conveniencia, use el espacio suministrado a continuación para escribir esta información:

Número de modelo: _____

Número de serie: _____

Fecha de compra: _____

MASTER®

Modèles No: MH-40-GFA, MH-60V-GFA,
MH-125V-GFA, MH-150V-GFA



Veillez lire et conserver ces instructions. Lire attentivement avant de commencer à assembler, installer, faire fonctionner ou entretenir l'appareil décrit. Protégez-vous et les autres en observant toutes les informations sur la sécurité. Négliger d'appliquer ces instructions peut résulter en des blessures corporelles et/ou en des dommages matériels

▲ AVERTISSEMENT *Le non respect des précautions et des instructions fournies avec ce radiateur peut entraîner la mort, des blessures graves, des pertes ou des dommages matériels suite aux risques d'incendie, d'explosion, de brûlures, d'asphyxie, d'empoisonnement au monoxyde de carbone et ou de décharge électrique. Seules des personnes aptes à comprendre et suivre ces instructions doivent utiliser ou entretenir ce radiateur. Contacter le fabricant pour obtenir un manuel d'instructions, des étiquettes, etc.*

▲ AVERTISSEMENT **DANGER LIÉ AU MONOXYDE DE CARBONE :** *Ce radiateur produit du monoxyde de carbone, qui n'a pas d'odeur. Le fait de faire brûler ce radiateur dans un espace clos peut causer la mort. Ne jamais utiliser le radiateur dans des espaces clos comme une tente, une camionnette de camping, tout véhicule ou véhicule de plaisance, abri fermé ou tout autre type d'espace clos.*

▲ DANGER *N'est pas conçu pour une utilisation dans une aire résidentielle ou dans un espace clos qui n'est pas ventilé adéquatement. Ne jamais apporter ou entreposer une bouteille de propane à l'intérieur.*

CONSOMMATEUR : Conserver ce manuel pour consultation ultérieure.

Pinnacle Products International, Inc.

668 Stony Hill Road #302 Yardley, PA 19067 USA

Téléphone : 215-891-8460 Télécopieur : 215-891-846

Web : www.pinnacleint.com Courriel : info@pinnacleint.com

NE JAMAIS LAISSER UN RADIATEUR SANS SURVEILLANCE LORSQU'IL BRÛLE OU LORSQU'IL EST BRANCHÉ À UNE SOURCE D'ALIMENTATION.

MASTER®

Radiateurs propane à air pulsé

Spécifications

Modèle	Débit calorifique	Consommation de gaz	Entrée électrique	Pression du distributeur	Ampérage	Poids kg (lb)	Dimensions L x lar x H (cm)
MH-40-GFA	40 000 Btu/h	1.9 lbs/Hr	120V, 60 Hz	279 mm CE	0,60	5,1 (11,2)	46 x 18 x 33
MH-60V-GFA	40 000 à 60 000 Btu/h	1,9 à 2,8 lbs/h	120V, 60 Hz	279 mm CE	0,60	5,1 (11,2)	46 x 18 x 33
MH-125V-GFA	95 000 à 125 000 Btu/h	4,4 à 5,8 lbs/h	120V, 60 Hz	211 mm CE	0,80	8,0 (17,6)	64 x 22 x 39
MH-150V-GFA	120 000 à 150 000 Btu/h	5,5 à 6,9 lbs/h	120V, 60 Hz	203 mm CE	0,80	8,0 (17,6)	64 x 22 x 39

Spécifications

Déballage

- Déballer tous les articles appliqués au radiateur pour l'expédition. Garder les capuchons en plastique attachés à l'ensemble connecteur d'entrée et tuyau/régulateur pour l'entreposage.
- Enlever tous les articles du carton.
- Vérifier qu'aucun article n'a été endommagé pendant le transport. Si le radiateur est endommagé, informer immédiatement le détaillant qui vous l'a vendu.

Caractéristiques du produit

- Portable, stable et entièrement assemblé.
- Résistant au vent et protégé contre la pluie.
- Allumage à étincelle continue ou piézo.
- Système de fermeture entièrement sécuritaire.
- Débit calorifique réglable.

INFORMATIONS SUR LE PROPANE

Le réservoir de GPL doit aussi être équipé des accessoires suivants :

- Un collier qui protège le robinet de gaz

- Un robinet d'arrêt au bout de la sortie du robinet de la bouteille de propane, comme spécifié dans les normes américaines pour les sorties et les entrées de robinets d'évacuation pour bouteille de gaz.
- Une soupape de sûreté en communication directe avec l'espace de vapeur du réservoir.
- Un dispositif de retrait de vapeur.

REMARQUE : Le régulateur de pression et le tuyau du GPL fournis avec ce radiateur doivent être utilisés sans être modifiés.

Informations générales sur la sécurité

⚠ DANGER Indique un danger imminent qui, s'il n'est pas évité **ENTRAÎNERA** la mort ou des blessures graves.

⚠ AVERTISSEMENT Indique un danger potentiel qui, s'il n'est pas évité **PEUT** entraîner la mort ou des blessures graves.

⚠ ATTENTION Indique un danger potentiel qui, s'il n'est pas évité **POURRAIT** entraîner la mort ou des blessures graves.

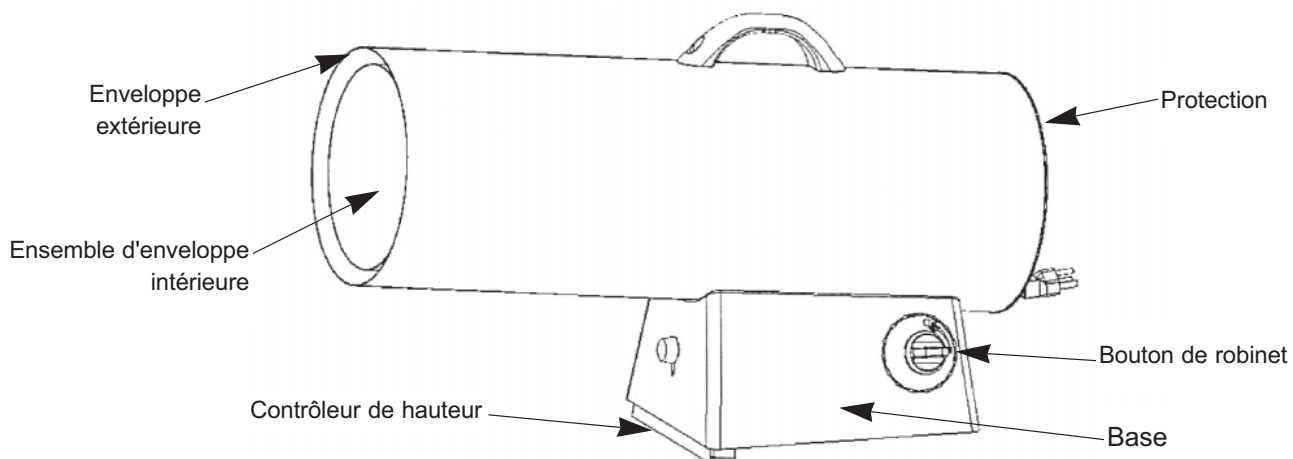


Figure 1. Caractéristiques du produit

Informations générales sur la sécurité (suite)

▲ AVERTISSEMENT *Avertissement général de danger : Le non respect des précautions et des instructions fournies avec ce radiateur peut entraîner la mort, des blessures graves, des pertes ou des dommages matériels suite aux risques d'incendie, d'explosion, de brûlures, d'asphyxie, d'empoisonnement au monoxyde de carbone et ou de décharge électrique. Seules des personnes aptes à comprendre et suivre ces instructions doivent utiliser ou entretenir ce radiateur. Contacter le fabricant en cas de besoin de manuel d'instructions, d'étiquettes, etc.*

▲ AVERTISSEMENT *Risque d'incendie, de brûlure, d'inhalation et d'explosion. Garder les combustibles solides, comme les matériaux de construction, le papier ou le carton, à une distance sécuritaire du radiateur, suivant les recommandations de ce manuel. Ne jamais utiliser le radiateur dans des endroits qui contiennent ou pourraient contenir des matières combustibles volatiles ou en suspension dans l'air, ou encore des produits comme l'essence, les solvants, les diluants à peinture, les particules de poussière ou des produits chimiques inconnus.*

Consommateur : Conserver ces instructions pour consultation ultérieure.

▲ DANGER *L'utilisation inappropriée de ce radiateur peut causer des blessures graves ou mortelles suite à des brûlures, un incendie, une explosion, une décharge électrique et/ou un empoisonnement au monoxyde de carbone.*

Ce radiateur est conçu pour les sites de construction en conformité avec ANSI Z83.7a/CSA 2.14a-2007. D'autres normes régissent l'utilisation des gaz combustibles et des produits de chauffage pour des utilisations spécifiques. Les autorités locales peuvent vous informer sur ces dernières. La fonction principale des radiateurs de construction est de fournir un moyen de chauffage temporaire des édifices en construction ou en réparation. Lorsqu'ils sont utilisés correctement, ils permettent de chauffer de manière économique. Les produits de la combustion sont ventilés dans l'aire chauffée.

▲ AVERTISSEMENT *N'est pas conçu pour un usage résidentiel ou dans un véhicule de plaisance.*

▲ AVERTISSEMENT *Ne pas utiliser ce radiateur avant d'avoir lu et entièrement compris ces directives de sécurité et d'utilisation. Le non respect des précautions et des instructions fournies avec ce radiateur peut entraîner la mort, des blessures graves, des pertes ou des dommages matériels suite aux risques d'incendie, d'explosion, de brûlures, d'asphyxie ou d'empoisonnement au monoxyde de carbone. Seules des personnes aptes à comprendre et suivre ces instructions doivent utiliser ou entretenir ce radiateur.*

▲ AVERTISSEMENT *Les sous-produits de combustion dégagés par cet appareil contiennent du monoxyde de carbone, un produit chimique reconnu par l'État de Californie pour causer le cancer, des anomalies congénitales ou d'autres effets nocifs sur la reproduction.*

▲ AVERTISSEMENT *N'est pas conçu pour un usage résidentiel ou dans un véhicule de plaisance. L'ensemble des tuyaux doit être protégé contre le trafic, les matériaux de construction et un contact avec des surfaces chaudes, durant l'utilisation et pendant l'entreposage.*

IMPORTANT : Lire ce manuel de l'utilisateur attentivement et complètement avant de tenter de faire fonctionner ou d'entretenir de radiateur. L'utilisation inappropriée de ce radiateur peut causer des blessures graves ou mortelles suite à un incendie, une explosion et un empoisonnement au monoxyde de carbone.

Il est impossible de prévoir toutes les circonstances susceptibles de présenter des risques. Les avertissements dans ce manuel et ceux apposés sur l'appareil ne sont donc pas complets. Si on utilise une procédure, une méthode de travail ou une technique d'utilisation qui n'est pas spécifiquement recommandée par Pinnacle, on doit s'assurer qu'elle est sûre pour soi et pour les autres.

S'assurer également que l'équipement ne sera pas endommagé ou rendu non sécuritaire par la méthode d'utilisation ou d'entretien choisie. **VÉRIFIER AVEC LE SERVICE LOCAL DES INCENDIES SI L'ON A DES QUESTIONS SUR L'APPLICATION.** Ce radiateur est conçu et homologué pour une utilisation comme radiateur de construction sous ANSI Z83.7a.

D'autres normes régissent l'utilisation des gaz combustibles et des produits de chauffage pour des applications spécifiques. Les autorités locales peuvent vous informer sur ces dernières.

Ce radiateur de construction est de type direct, à air pulsé, utilisable à l'intérieur ou à l'extérieur. Il est surtout conçu pour le chauffage temporaire des édifices en construction, réfection ou réparation. Tous les produits de combustion générés par ce radiateur sont pulsés à travers celui-ci et expulsés dans la zone réchauffée. Ce radiateur fonctionne à une efficacité de combustion d'environ 98 %+, mais produit encore de petites quantités de monoxyde de carbone. Les humains peuvent tolérer de petites quantités de monoxyde de carbone pendant de courtes périodes de temps. Le monoxyde de carbone peut s'accumuler dans un espace chauffé, et le fait de négliger de garantir une ventilation adéquate peut causer un empoisonnement ou la mort.

INFORMATIONS IMPORTANTES SUR LA SÉCURITÉ

- Garder les enfants loin.
 - Toujours maintenir un dégagement adéquat des matériaux combustibles. Le dégagement minimal doit être de :
- Côtés – 61 cm, Dessus – 91,4 cm, Avant – 183 cm.**
- Placer le radiateur sur une base solide et de niveau.
 - Ne placer aucun objet, y compris des vêtements ou d'autres articles inflammables sur le radiateur.
 - Ne pas modifier le radiateur ou utiliser un radiateur qui a été modifié.
 - Maintenir un dégagement adéquat pour l'accessibilité, la combustion et la ventilation (alimentation en air) en tout temps lorsque le radiateur fonctionne.

Informations générales sur la sécurité (suite)

- L'entretien et les réparations doivent être effectués par du personnel de service qualifié. Ce radiateur doit être inspecté avant chaque utilisation et au moins une fois par année par du personnel qualifié. Un nettoyage plus fréquent peut être requis si nécessaire. Ne pas réparer un radiateur chaud ou qui fonctionne.
- Ne jamais connecter le radiateur à une alimentation en gaz sans régulation.
- Ce radiateur est expédié de l'usine pour être utilisé avec du gaz propane (GPL) seulement. Ne pas convertir vers un quelconque autre gaz. L'installation doit être conforme aux codes locaux, ou en leur absence, avec la norme du Storage and Handling of Liquefied Petroleum Gases ANSI/NFPA 58.
- N'utiliser que l'ensemble régulateur et tuyau fournis avec ce radiateur. Inspecter l'ensemble régulateur/tuyau avant chaque utilisation du radiateur. Si l'abrasion ou l'usure est excessive, ou si le tuyau est coupé, le remplacer par l'ensemble qui convient, illustré dans la liste des pièces, avant d'utiliser le radiateur.
- Vérifier les connexions d'alimentation en gaz avec une solution de 50/50 d'eau et de savon. Ne jamais utiliser de flamme pour vérifier la présence de fuites de gaz.
- Placer la bouteille de propane à au moins 1,8 m du radiateur et ne pas diriger l'évacuation du radiateur vers la bouteille de gaz à moins que celle-ci ne soit à au moins 6 m du radiateur.
- La connexion électrique et la mise à la terre doivent être conformes au Code national de l'électricité, ANSI/NFPA 70. N'utiliser qu'une prise à trois (3) trous correctement mise à la terre.
- Ne placer aucun obstacle à l'avant ni à l'arrière du radiateur.

Température (°C) au niveau du réservoir	Nombre de réservoirs requis		
	40 000 à 60 000 BTU/h	125 000 BTU/h	150 000 BTU/h
0,0	1	2	2
-6,6	1	2	2
-12,2	1	3	3
-17,7	1	3	3
-23,3	2	Utiliser un réservoir plus gros	Utiliser un réservoir plus gros
-28,8	2	Utiliser un réservoir plus gros	Utiliser un réservoir plus gros

Le tableau ci-dessus affiche le nombre de réservoirs de 45,4 kg requis pour faire fonctionner les radiateurs à des températures données.

Une plus petite quantité de gaz est vaporisée à des températures plus basses. Deux réservoirs supplémentaires de plus de 45,4 kg ou un réservoir plus gros peuvent s'avérer nécessaires par temps plus froid. Votre détaillant local de gaz propane vous aidera à sélectionner le système d'alimentation qui convient.

Fonctionnement

REPLISSAGE DU RÉSERVOIR DE GAZ PROPANE

TOUTES LES NOUVELLES BOUTEILLES DOIVENT ÊTRE PURGÉES AVANT D'ÊTRE REMPLIES DE NOUVEAU.

⚠ AVERTISSEMENT *La purge et le remplissage des réservoirs de GPL doivent être effectués par du personnel entièrement formé aux procédures acceptées dans l'industrie du GPL. La non-conformité à ces directives peut entraîner une explosion, un incendie, des blessures graves ou mortelles.*

- Tourner les boutons des robinets de gaz du radiateur et du réservoir à la position d'arrêt (OFF).
- Le robinet du réservoir de propane est équipé avec des raccords ancien style FILETAGE CÔTÉ GAUCHE. Tourner le raccord dans le sens HORAIRE pour desserrer. Protéger ce raccord lorsqu'il est détaché du réservoir.
- Faire remplir le réservoir par votre fournisseur de gaz propane local.
- Certains réservoirs de propane possèdent un robinet de purge. Ce robinet doit être inspecté pour y détecter des fuites après chaque remplissage du réservoir. Tourner le robinet dans le sens horaire pour fermer.
- Serrer l'intégralité du réservoir de propane et raccorder les raccords qui conviennent au robinet du réservoir en tournant dans le sens ANTIHORAIRE.
- Alors que le bouton du robinet de gaz est encore en position fermée (OFF), ouvrir le robinet du réservoir (ON) et vérifier pour détecter toute présence de fuites avec une solution d'eau savonneuse.

⚠ ATTENTION *Le gaz propane est sécuritaire lorsqu'il est manipulé correctement. Une manipulation sans précaution d'un réservoir de gaz propane peut causer un incendie et/ou une explosion. En conséquence :*

- Toujours garder le réservoir/la bouteille fixé de façon sécuritaire et en position debout.
- Éviter d'incliner le réservoir sur le côté lorsque raccordé à un régulateur, ce qui risque d'endommager le diaphragme à l'intérieur régulateur.
- Manipuler les robinets avec précaution.
- Ne jamais raccorder un réservoir de propane sans régulateur à un radiateur de construction.
- Ne pas soumettre le réservoir de propane à une chaleur excessive.
- Serrer fermement le robinet d'arrêt du gaz sur le réservoir de propane après chaque utilisation.
- Tous les raccords doivent être protégés lorsque démontés du réservoir de GPL.
- Ne jamais entreposer un réservoir de gaz propane dans un édifice ou à proximité d'un appareil qui brûle du gaz.

⚠ ATTENTION *Le réservoir débranché ne doit jamais être entreposé dans un édifice, un garage ou dans toute autre aire fermée.*

NE JAMAIS LAISSER UN RADIATEUR SANS SURVEILLANCE LORSQU'IL BRÛLE OU LORSQU'IL EST BRANCHÉ À UNE SOURCE D'ALIMENTATION.

MASTER®

Radiateurs propane à air pulsé

Fonctionnement (suite)

VÉRIFICATION DES FUITES

- Vérifier tous les raccords avec une solution d'eau et de savon 50/50 pour s'assurer qu'ils sont serrés et sans fuites.
- L'installation du radiateur doit être conforme aux codes locaux et/ou aux exigences des services de gaz ou, en l'absence de codes locaux, avec le National Fuel Code ANSI Z223.1.
- Les dégagements minimaux par rapport aux matériaux de construction combustibles illustrés à la page 3 doivent être maintenus en tout temps.

INSTRUCTIONS POUR L'ALLUMAGE

1. Brancher le cordon d'alimentation dans une prise de cordon prolongateur à trois (3) trous de 120 V, 60 Hz, correctement mise à la terre.
Exigences de fil du cordon prolongateur :
1,8 à 3 m (6 à 10 pi) de long, utiliser un conducteur de 18 AWG.
3,4 à 30,5 m (11 à 100 pi) de long, utiliser un conducteur de 16 AWG.
30,8 à 61 m (101 à 200 pi) de long, utiliser un conducteur de 14 AWG.
2. Raccorder le radiateur à une bouteille de GPL qui convient.
3. Tourner le robinet dans le sens horaire à la position d'arrêt (OFF).
4. Attendre cinq (5) minutes pour que tout gaz se dissipe. Sentir pour détecter toute odeur de gaz; si rien n'est détecté, passer à l'étape 5.
5. Enfoncer le bouton de commande de gaz et le tourner dans le sens antihoraire jusqu'à la position LOW/IGN. Ceci allume le brûleur. Si nécessaire, continuer d'appuyer le bouton de commande jusqu'à ce que le brûleur s'allume et maintenir cette pression en tournant de OFF à LOW/IGN sur les modèles à étincelles piézo électrique.
6. Garder enfoncé le bouton du robinet pendant au moins 30 secondes après l'allumage du brûleur. Après 30 secondes, relâcher le bouton du robinet.
7. Si le brûleur ne reste pas allumé, répéter la procédure d'allumage.
8. Lorsque le brûleur reste allumé, tourner le bouton du robinet de gaz dans le sens antihoraire au réglage désiré (tous les modèles sauf MH-40-GFA).

INSTRUCTIONS POUR L'ARRÊT

Pour éteindre le radiateur :

1. Tourner le bouton du robinet dans le sens horaire à la position d'arrêt (OFF).
2. FERMER l'alimentation en gaz en tournant le robinet de réservoir de propane dans le sens horaire.
3. Débrancher le cordon d'alimentation.

VÉRIFICATION DE LA MISE EN FEU DU RADIATEUR

Vérifier la mise en feu du radiateur de construction en suivant les instructions d'allumage correspondant au système de commande de gaz utilisé.

Vérifier pour détecter des fuites à tous les raccords de gaz à l'aide d'une solution d'eau et de savon 50/50. Des bulles de savon indiquent une fuite de gaz. NE PAS utiliser une allumette ou une flamme pour détecter des fuites de gaz.

REMARQUE : La température de la surface du radiateur doit être froide avant d'effectuer le service, le nettoyage ou l'entreposage.

ENTREPOSAGE

Ne jamais entreposer un réservoir de gaz propane dans un édifice ou à proximité d'un appareil qui brûle du gaz ou de l'huile. Lorsqu'un réservoir de propane n'est pas débranché d'un radiateur de construction, le réservoir de gaz et le radiateur doivent être entreposés à l'extérieur dans une zone bien ventilée, hors de portée des enfants. Si pour une raison quelconque, le radiateur est entreposé à l'intérieur, le réservoir doit d'abord être débranché et enlevé de la base du radiateur et entreposé à l'extérieur dans une zone bien ventilée, hors de portée des enfants, en conformité avec la dernière édition du Storage and Handling of Liquefied Gases ANSI/NFPA 58. Le bouchon en plastique du robinet du réservoir, fourni avec le réservoir, doit être installé bien serré lorsque le réservoir est débranché du radiateur.

REMARQUE : L'installation et les réparations doivent être effectuées par du personnel de service qualifié.

⚠ DANGER *N'est pas conçu pour une utilisation dans une aire résidentielle ou dans un espace clos qui n'est pas ventilé adéquatement. Ne jamais apporter ou entreposer une bouteille de propane à l'intérieur.*

NE JAMAIS LAISSER UN RADIATEUR SANS SURVEILLANCE LORSQU'IL BRÛLE OU LORSQU'IL EST BRANCHÉ À UNE SOURCE D'ALIMENTATION.

MASTER

Radiateurs propane à air pulsé

Schémas de câblage

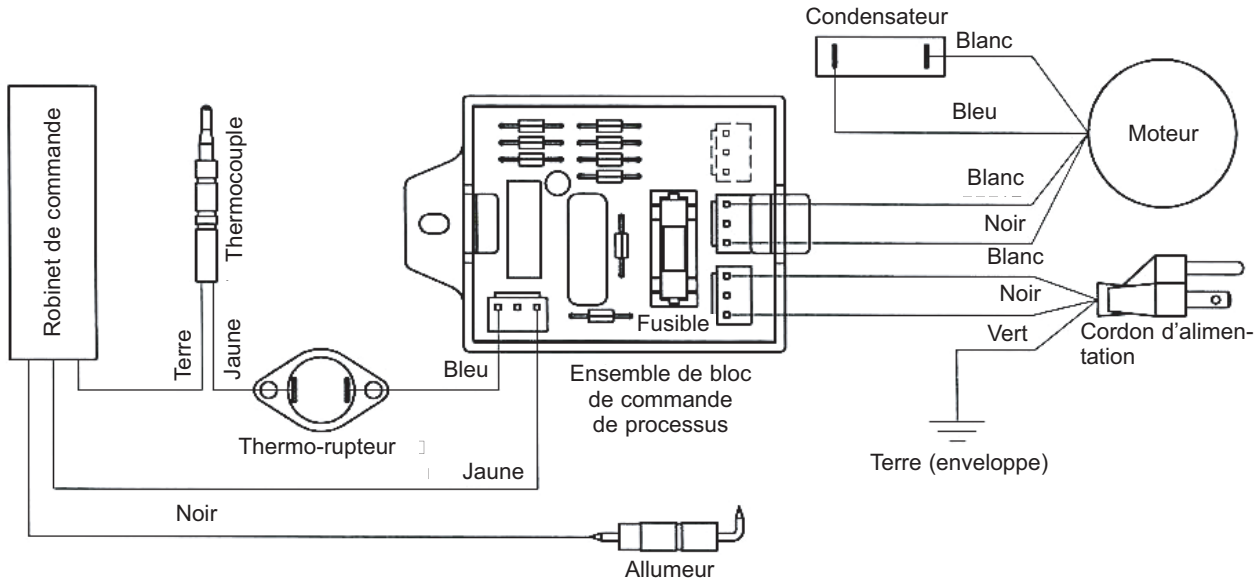


Figure 2 – Modèles à étincelles piézo/manuel

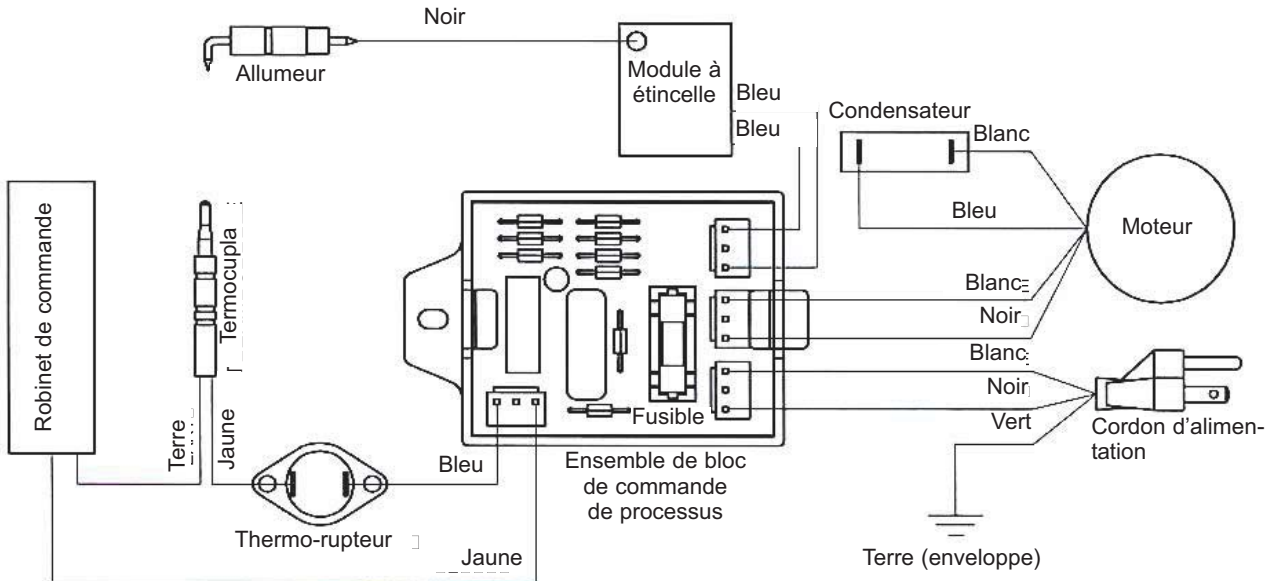


Figure 3 – Modèles à étincelle continue

NE JAMAIS LAISSER UN RADIATEUR
SANS SURVEILLANCE LORSQU'IL
BRÛLE OU LORSQU'IL EST BRANCHÉ À
UNE SOURCE D'ALIMENTATION.

MASTER®

Radiateurs propane
à air pulsé

Tableau de dépannage

Symptôme	Cause(s) possible(s)	Action corrective
Le ventilateur ne tourne pas lorsque la connexion électrique est effectuée	1. Pas d'alimentation électrique au radiateur	1. Vérifier la tension vers la prise électrique. Si la tension est correcte, vérifier le cordon d'alimentation et la rallonge pour y détecter des coupures ou des brisures
	2. La pale du ventilateur entre en contact avec l'intérieur de l'enveloppe du radiateur	2. S'assurer que le boîtier n'est pas endommagé. S'assurer qu'aucune obstruction n'entrave le ventilateur
	3. Pale(s) de ventilateur pliée(s)	3. Redresser la ou les lames pour qu'elles correspondent aux autres
	4. Moteur du ventilateur défectueux	4. Remplacer le moteur
Le radiateur ne peut être mis à feu	1. Aucune étincelle au niveau de l'allumeur	1. Vérifier le fil de l'allumeur. Réattacher ou serrer si desserré. Vérifier le module à étincelles. Remplacer au besoin. Vérifier tous les composants électriques
	2. Écart de bougie incorrect	2. Régler l'écart à 4,1 mm
	3. Électrode défectueuse	3. Remplacer la bougie d'allumage
Le radiateur s'éteint pendant qu'il fonctionne	1. Température interne trop élevée, ce qui déclenche l'interrupteur et éteint l'appareil	1. Si le débit du radiateur est restreint, la température interne devient trop élevée. Déplacer le radiateur pour l'éloigner de toute obstruction
	2. Robinet de commande endommagé	2. Remplacer le robinet de commande
	3. Accumulation de poussière ou de débris à l'intérieur du radiateur	3. Nettoyer l'intérieur du radiateur

NE JAMAIS LAISSER UN RADIATEUR
SANS SURVEILLANCE LORSQU'IL
BRÛLE OU LORSQU'IL EST BRANCHÉ À
UNE SOURCE D'ALIMENTATION.

MASTER®

Radiateurs propane à
air pulsé

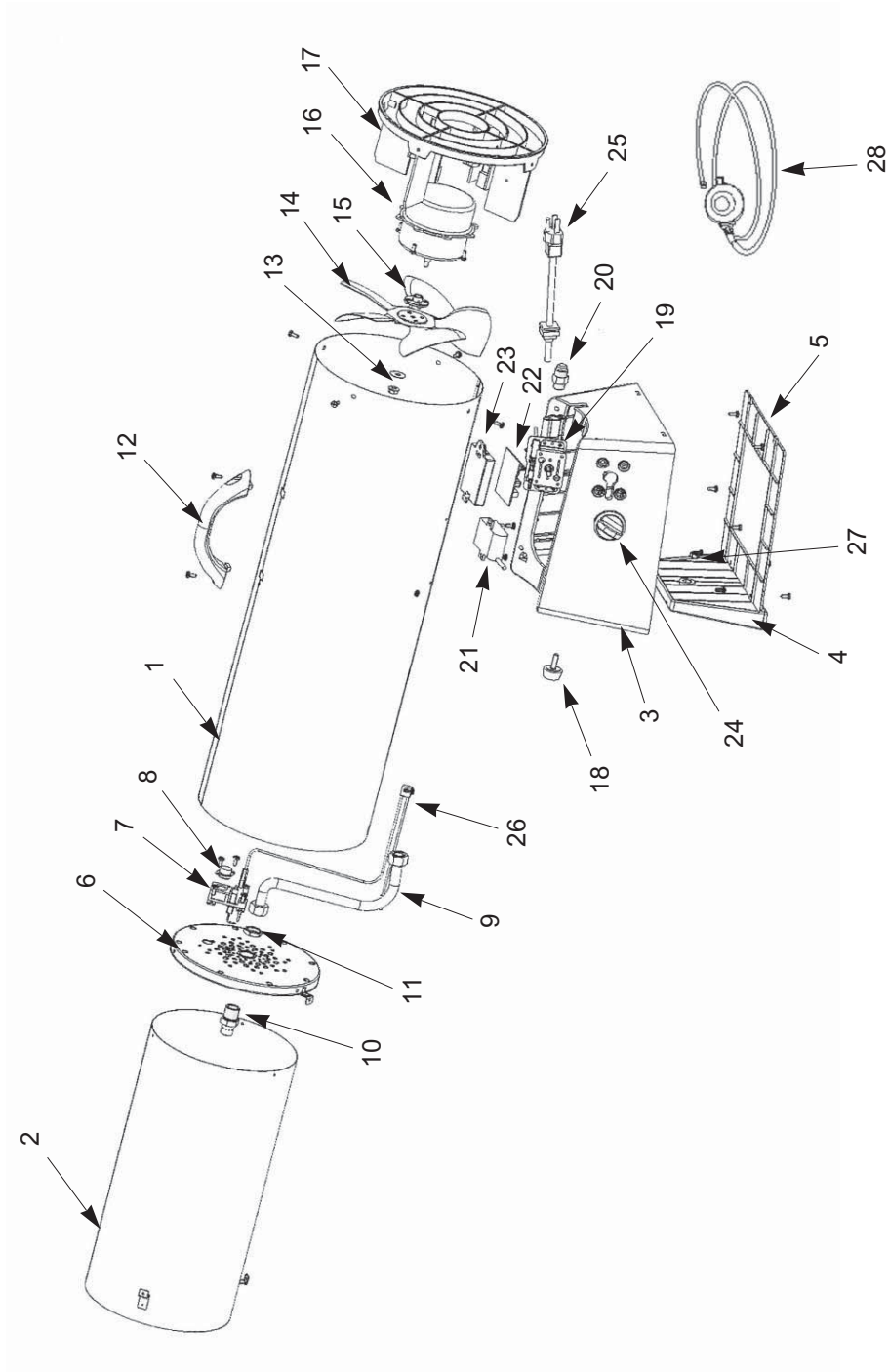


Figure 4 – Illustration des pièces détachées pour radiateurs de construction au propane

**NE JAMAIS LAISSER UN RADIATEUR
SANS SURVEILLANCE LORSQU'IL
BRÛLE OU LORSQU'IL EST BRANCHÉ À
UNE SOURCE D'ALIMENTATION.**

MASTER®

**Radiateurs propane
à air pulsé**

Liste des pièces détachées pour radiateurs de construction au propane

Numéro de référence	Description	Numéro de pièce pour modèles :				Quantité
		PT-40-GFA	PT-60V-GFA	PT-125V-GFA	PT-150V-GFA	
1	Enveloppe extérieure	22-524-0075	22-524-0076	22-524-0077	22-524-0077	1
2	Ensemble d'enveloppe intérieure	22-524-0004	22-524-0004	22-524-0005	22-524-0005	1
3	Base	22-501-0003	22-501-0001	22-501-0002	22-501-0002	1
4	Contrôleur de hauteur	22-512-0005	22-512-0005	22-512-0008	22-512-0008	1
5	Couvercle de la base	22-508-0003	22-508-0001	22-508-0002	22-508-0002	1
6	Capuchon d'enveloppe intérieure	22-505-0006	22-505-0010	22-505-0011	22-505-0008	1
7	Ensemble à supports multiples	22-504-0002	22-504-0002	22-504-0002	22-504-0003	1
8	Thermorupteur	22-603-0001	22-603-0001	22-603-0001	22-603-0001	1
9	Tubage	22-605-0001	22-605-0001	22-605-0005	22-605-0005	1
10	Gicleur	22-081-0007	22-081-0014	22-081-0015	22-081-0004	1
11	Écrou de gicleur	22-518-0001	22-518-0001	22-518-0001	22-518-0002	1
12	Poignée	22-511-0004	22-511-0005	22-511-0005	22-511-0005	1
13	Écrou hexagonal de collerette	22-518-0003	22-518-0003	22-518-0003	22-518-0003	1
14	Ventilateur	22-514-0001	22-514-0001	22-514-0002	22-514-0002	1
15	Tampon amortisseur	22-509-0001	22-509-0001	22-509-0001	22-509-0001	1
16	Moteur	22-061-0015	22-061-0015	22-061-0016	22-061-0016	1
17	Protection	22-101-0003	22-101-0003	22-101-0004	22-101-0004	1
18	Boulon rond	22-503-0002	22-503-0002	22-503-0003	22-503-0003	1
19	Robinet	22-011-0005	22-011-0017	22-011-0018	22-011-0008	1
20	Connecteur d'entrée	22-507-0003	22-507-0003	22-507-0003	22-507-0003	1
21	Module à étincelle	–	22-604-0005	22-604-0005	22-604-0005	1
22	Carte de circuits imprimés	22-521-0001	22-521-0002	22-521-0002	22-521-0002	1
23	Boîtier en PCB	22-506-0001	22-506-0001	22-506-0001	22-506-0001	1
24	Bouton de robinet	22-516-0001	22-516-0001	22-516-0001	22-516-0001	1
25	Cordon électrique	22-131-0001	22-131-0001	22-131-0001	22-131-0001	1
26	Câble de thermorupteur	22-601-0001	22-601-0001	22-601-0001	22-601-0001	1
27	Écrou hexagonal	22-518-0004	22-518-0004	22-518-0004	22-518-0004	1
28	Régulateur	22-041-0004	22-041-0004	22-041-0005	22-041-0005	1

**NE JAMAIS LAISSER UN RADIATEUR
SANS SURVEILLANCE LORSQU'IL
BRÛLE OU LORSQU'IL EST BRANCHÉ À
UNE SOURCE D'ALIMENTATION.**

MASTER®

**Radiateurs propane
à air pulsé**

GARANTIE LIMITÉE

Pinnacle Products International, Inc. garantit à l'acheteur au détail d'origine seulement que ce radiateur sera exempt de défauts de matériau et de fabrication pendant une période d'un (1) an à compter de la date de l'achat initiale. Ce produit doit être installé, entretenu et utilisé correctement, en conformité avec les instructions fournies. Pinnacle Products International, Inc. exige une preuve raisonnable de la date d'achat chez un détaillant ou un distributeur agréé. Il faut donc conserver le ticket de caisse, la facture ou le chèque payé pour l'achat d'origine. Cette garantie limitée couvre uniquement la réparation ou le remplacement des pièces jugées défectueuses dans des conditions d'utilisation et d'entretien normales pendant la période de garantie et Pinnacle Products International, Inc. se réserve le droit de déterminer ceci à sa seule discrétion.

Cette garantie ne s'applique pas à des produits achetés à des fins de location.

Cette garantie limitée ne couvre aucune défaillance ou difficulté d'utilisation résultant d'une usure normale, d'un accident, d'un usage abusif ou incorrect, d'une modification, d'un usage impropre, d'une installation incorrecte ou encore d'une réparation ou d'un entretien incorrects par l'utilisateur ou un tiers. Le fait de négliger d'effectuer l'entretien normal et de routine de ce radiateur, les dommages causés lors de l'expédition ou liés à des insectes, oiseaux ou autres animaux ou encore à tout dommage résultant des conditions météorologiques ne sont pas couverts par cette garantie. En outre, cette garantie limitée ne couvre pas les dommages au fini, comme les égratignures, les traces de coups, la décoloration, la rouille ou d'autres dommages résultant des conditions météorologiques, et survenus après l'achat.

Tous les frais de transport pour le retour de produits ou de pièces endommagés sont à la charge de l'acheteur. Sur réception de l'article endommagé, Pinnacle Products International, Inc. examinera l'article en question et déterminera s'il est défectueux. Pinnacle Products International, Inc. réparera ou remplacera et retournera l'article en port payé. Si Pinnacle Products International, Inc. détermine que l'article est dans un état d'utilisation normale, ou n'est pas défectueux, il sera retourné en port dû. Cette garantie limitée se substitue à toute autre garantie expresse. Pinnacle Products International, Inc. renonce à toute garantie de produits achetés auprès de vendeurs autres que des détaillants ou distributeurs agréés.

CETTE GARANTIE EXPRESSE EXPIRE APRÈS UNE PÉRIODE D'UN (1) AN, Pinnacle Products International, Inc. RENONCE À TOUTE GARANTIE TACITE INCLUANT, ENTRE AUTRES, TOUTE GARANTIE TACITE DE QUALITÉ MARCHANDE ET D'ADAPTATION À UN USAGE PARTICULIER. EN OUTRE, Pinnacle Products International, Inc. N'EST AUCUNEMENT RESPONSABLE ENVERS L'ACHETEUR NI ENVERS TOUT TIERS POUR UN QUELCONQUE DOMMAGE PARTICULIER, INDIRECT, PUNITIF, ACCESSOIRE OU FORTUIT. Pinnacle Products International, Inc. n'assume aucune responsabilité pour un quelconque défaut causé par des tiers. Cette garantie limitée donne à l'acheteur des droits légaux spécifiques ; un acheteur pourrait jouir d'autres droits suivant le lieu où il réside. Certaines Provinces ne permettent pas l'exclusion ou la limitation des dommages spéciaux, accessoires ou indirects ni une limitation de la durée d'une garantie ; les limitations ci-dessus pourraient donc ne pas s'appliquer à l'acheteur.

Pinnacle Products International, Inc. n'autorise aucune personne ni entreprise à assumer en son nom une autre obligation ou responsabilité quelconque liée à la vente, à l'installation, à l'utilisation, à l'enlèvement, au retour ou au remplacement de ses appareils et aucune représentation de cette nature ne lie en quelque manière que ce soit Pinnacle Products International, Inc.

Toujours veiller à préciser les numéros de modèle et de série lors de toute réclamation auprès de Pinnacle Products International, Inc. Pour ce faire, utiliser l'espace prévu ci-dessous à cet effet pour noter ces informations.

No de modèle : _____

No de série : _____

Date de l'achat : _____