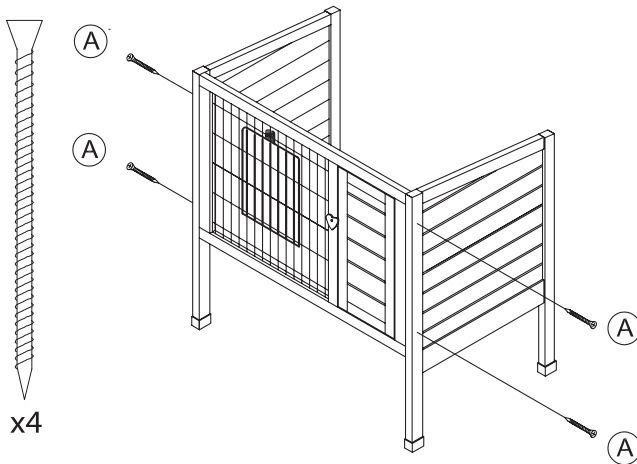
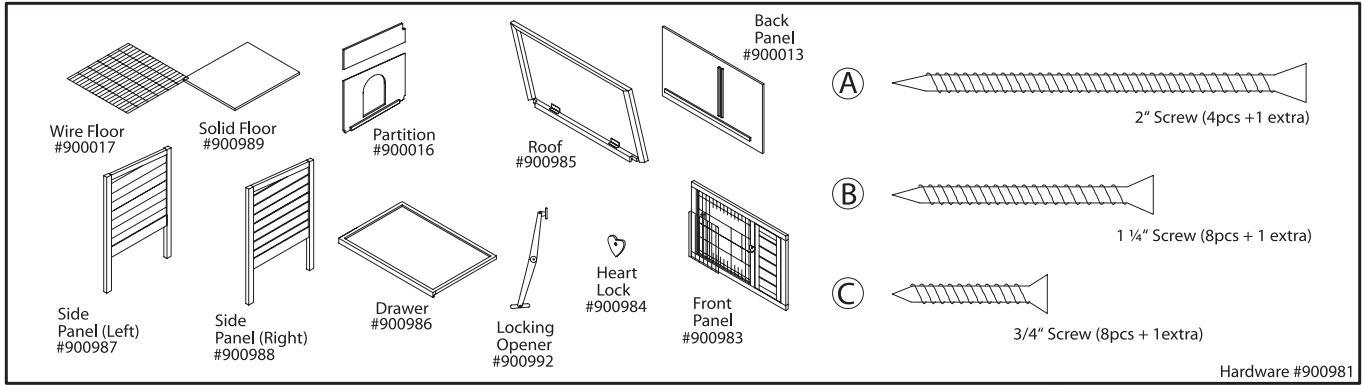
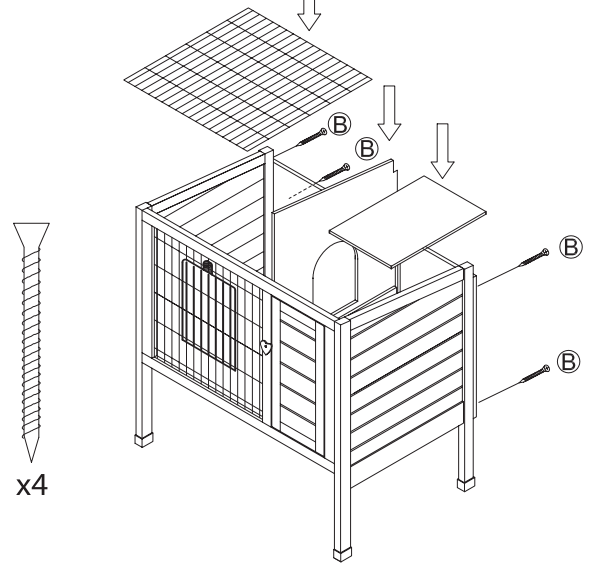


ME Premium+ Hutch

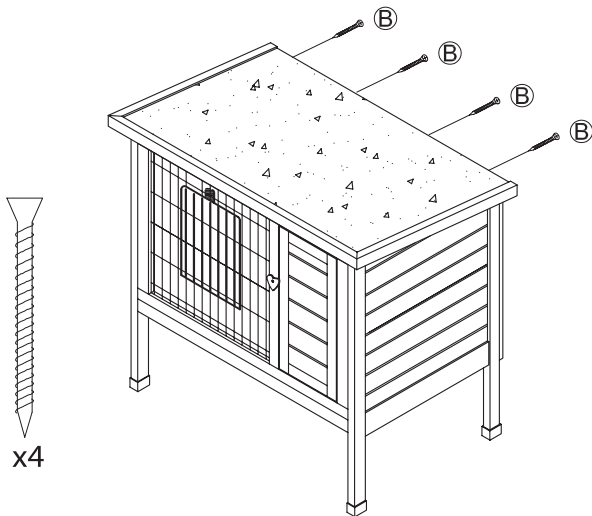
Congratulations on the purchase of your Ware Premium+ Hutch. The quality construction will provide your pet with a comfortable environment. Plus, assembly is quick and easy!



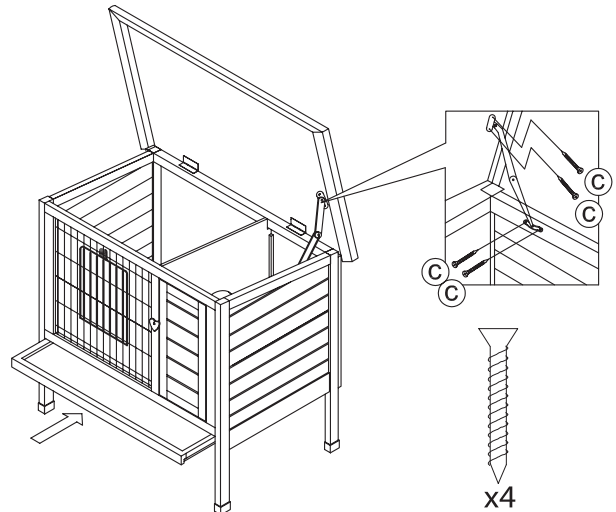
Step 1 Attach the right side panel and left side panel to the front panel using 4 - 2" screws (A).



Step 2 Secure the back panel to the hutch using 4 - 1 1/4" screws (B). Insert the wire floor and the wood floor. Slide in the bottom partition and top partition.



Step 3 Attach roof to hutch with 4 - 1 1/4" screws (B).



Step 4 Install locking door opener with 4 - 3/4" screws (C).

Care Tip

To protect the wood on your hutch you need to re-apply the protective stain finish at least 1x each year. Use a safe and non-toxic water based stain (available at your local paint or hardware center). Keep hutch in a safe area away from high winds and extreme temperatures.



MADE IN CHINA
to the design specifications of
WARE MFG. INC.
Phoenix, AZ 85009, USA
WWW.WAREMFGINC.COM

El hogar perfecto para los animales domesticos pequenos
La maison parfaite pour les petits animaux de compagnie
Patent Numbers: ZL 2005 2 010 4360.2, ZL 2005 2 0003821.7, ZL 2006 2 0005357.X

Ware Mfg. Inc. claims copyright protection under U.S. and International Copyright Law in the attached sculptural work and in the content of this packaging. Copyright © 2011 Ware Mfg. Inc. All rights reserved.



#30001515