

BB07583

1,000 Lb Capacity Pickup Truck Crane

Assembly & Operating Instructions



READ ALL INSTRUCTIONS AND WARNINGS BEFORE USING THIS PRODUCT.

This manual provides important information on proper operation & maintenance. Every effort has been made to ensure the accuracy of this manual. These instructions are not meant to cover every possible condition and situation that may occur. We reserve the right to change this product at any time without prior notice.

IF THERE IS ANY QUESTION ABOUT A CONDITION BEING SAFE OR UNSAFE, DO NOT OPERATE THIS PRODUCT!

HAVE QUESTIONS OR PROBLEMS? DO NOT RETURN THIS PRODUCT TO THE RETAILER - CONTACT CUSTOMER SERVICE.

If you experience a problem or need parts for this product, visit our website <http://www.buffalotools.com> or call our customer help line at **1-888-287-6981, Monday-Friday, 8 AM - 4 PM Central Time**. A copy of the sales receipt is required.

FOR CONSUMER USE ONLY - NOT FOR PROFESSIONAL USE.

KEEP THIS MANUAL, SALES RECEIPT & APPLICABLE WARRANTY FOR FUTURE REFERENCE.

BB07583 1,000 Lb Pickup Truck Crane

FEATURES:

1,000 Lb Max Capacity
Base Swivels 360 Degrees
Working Range 30-50 Inches
Lifting Range 0-79 Inches
Mounts To Truck Bed

FOR CONSUMER USE ONLY – NOT FOR PROFESSIONAL USE

WARNING

READ AND UNDERSTAND ALL INSTRUCTIONS. Failure to follow all instructions listed below may result in electric shock, fire and/or serious personal injury.

RECOGNIZE SAFETY SYMBOLS, WORDS AND LABELS

What You Need to Know About Safety Instructions

Warning and Important Safety Instructions appearing in this manual are not meant to cover all possible conditions and situations that may occur. Common sense, caution and care must be exercised when operating or cleaning tools and equipment.

Always contact your dealer, distributor, service agent or manufacturer about problems or conditions you do not understand.

IMPORTANT SAFETY INSTRUCTIONS

WORK AREA

WARNING

- Keep your work area clean and well lit.
- Stay alert, watch what you are doing and use common sense.
- Keep bystanders, children and visitors away while operating. Distractions can cause you to lose control.

USE AND CARE

WARNING

- Always check for damaged, worn or rusty parts before using. Do not use if device is damaged.
 - Do not use this crane and winch for anything other than its intended purpose.
- Do not exceed the weight load capacity. Do not overload the crane and/or winch. Doing so could result in serious personal injury or extensive property damage.
- Do not add unapproved extensions to the crane or winching cable.
 - Do not use this winch unless it is securely and correctly bolted into a truck bed with the proper couplings.
 - Do not use this crane and winch to lift or hoist people. Doing so could result in serious personal injury or death.
 - Stay clear of the load while hoisting to avoid injury.

Assembly Instructions

Refer to Parts List and Parts Diagram at the end of this manual for reference while assembling this device. Join the Base (25) to the truck bed, or garage floor.

Installing into a truck bed: Choose a location in your truck bed that is flat, and can handle a load of up to 1,000 lbs. Be sure that the mounting area is free from wires or other materials that will affect the operation or the structural integrity of the vehicle. (In most truck beds, this spot will likely be just behind the wheel well. Please check the vehicle owner's manual or your automotive dealer for more information.) Using the pre-drilled holes in the Base (25) as a guide, find the desired position of the crane, and use a pencil to mark drill holes. Drill the holes into the truck bed, using the proper drill bit for the job and of the correct size to match the couplings (not included). Use the proper couplings to attach the Crane to the truck or trailer bed.

Installing onto a concrete floor: After choosing a proper location that can bear the load, use the pre drilled holes on the Base (25) as a template to mark the spots where the holes will be drilled. When drilling into concrete, use a masonry or concrete drill bit. Once the holes have been drilled into the concrete, use concrete anchors (not included, available at any hardware store) to secure the Base (25) onto the concrete floor.

Attach the Turntable (23) to the Main Post (19) using the six of the Bolts (9), Washers (10), Spring Washers (16) and Nuts (11). Tighten hardware with wrench (not included).

Connect the Boom (17) to the Main Post (19) using Bolt (2), Washer (6), Spring Washer (7) & Nut (8). Tighten with wrench.

Secure the Jack (21) to the Main Post (19) with the Bolt (5), Washer (6), Spring Washer (7) and Nut (8), on the bottom and with Bolt (1), Washer (6), Spring Washer (7) and Nut (8). Tighten hardware with wrench. Secure the Handle (20) to the Main Post (19) with the "R" Pin (4). Slide the Jack Handle into the holder on the side of the Main Post (19).

Join the Base (25) and the crane assembly together, by sliding the bottom of the Turntable (23) into the Base (25), and secure with the Bolt (13), and Oil Bolt (12).

Insert the Boom Extension (18) into the Boom (17), and secure with Boom Extension Bolt (3), Washer (10), Spring Washer (16) and Nut (11). Tighten hardware with wrench. Attach the Chain & Hook (26) to the Boom Extension (18) with Bolt (14), Washer (15), Spring Washer (16) and Nut (11).

Operation Instructions

WARNING

- **Always secure the load after moving.** Do not rely on the crane to hold the load for extended periods of time, or while the vehicle is moving.
- **Always set the parking break, or brace truck tires when lifting a load or using the crane.**
- **Do not attempt to lift a load while the vehicle is in motion.**

Swing the Main Post (19) and Boom (17) in the direction of the load to be lifted using the Turn Handle (20).

Use the Boom Extension Bolt (3) to adjust and lock the Boom Extension (25) into place so that the Chain (15) and Hook (16) are directly above the load. **Do not exceed the weight limit!**

To lower the Boom (17) Close the pump release valve on the Jack (21) with the Jack Handle (22) by turning in a clockwise direction. To raise the Boom (17), connect the Jack Handle (22) to its original position on the Jack (21) and pump the Jack Handle (24) with an up and down motion.

Attach the load to the Chain & Hook (26). Use straps or ties as necessary to ensure the weight of the load is centered on the Chain (15) and Hook (16). **DO NOT EXCEED THE WEIGHT LIMIT!**

When the object has been raised to the height needed to clear the truck bed, slowly and carefully swing the Boom (17) and Boom Extension (18) until the load hovers over the desired rest position in the truck bed. .

DO NOT EXTEND OR RETRACT THE BOOM WHILE THE LOAD IS ATTACHED TO THE CRANE. If the load/crane needs adjustment, lower and release the load, make the adjustments, and try the lift again.

Lower the load by slowly turning the pump release valve on the Jack (21) counterclockwise by using the Jack Handle (22).

Maintenance

⚠ WARNING

- When performing maintenance, use only identical replacement parts, failure to do so will void the warranty.
- Use only accessories intended for this crane and winch.

Purging Air From The Hydraulic System: Air bubbles can become trapped in the hydraulic system, which can reduce the usefulness of the jack. Regularly purging the air in the hydraulic system will prevent the jack operating efficiently.

Using the slotted end of the Jack Handle (22), turn the valve release screw on the Jack (21) 1.5 turns counterclockwise. Gently remove the oil filter plug on the side of the Jack (21) by pulling and turning as needed.

Remove the air from the hydraulic system by pumping the Jack Handle (22) rapidly several times.

Again, using the slotted end of the Jack Handle (22), turn the valve release screw on the Jack (21) clockwise, back to its original position, or until snug. Replace the oil filler plug.

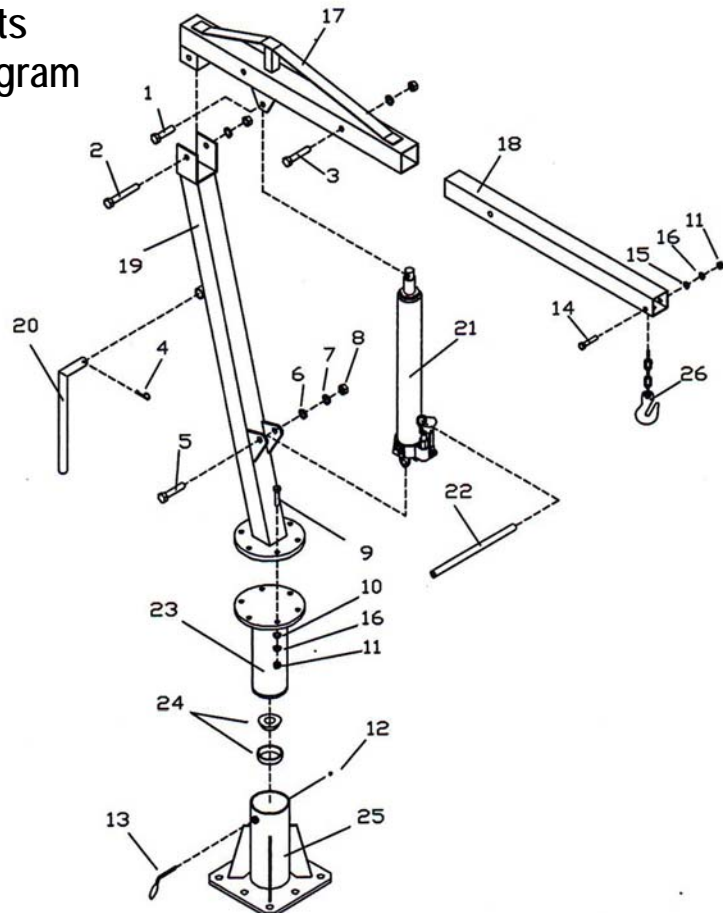
Parts List

Part	Description	Qty
1	Bolt (M16 x 80)	1
2	Bolt (M16 x 110)	1
3	Boom Extension Bolt (M14 x 90)	1
4	"R" Pin	1
5	Bolt (M16 x 100)	1
6	Washer (16)	3
7	Spring Washer (16)	3
8	Nut (M16)	3
9	Bolt (M12 x 40)	6
10	Washer (12)	7
11	Nut (M12)	7
12	Oil Bolt	1
13	Bolt (M10)	1
14	Bolt (M12 x 80)	7
15	Washer (12)	7
16	Spring Washer (12)	1
17	Boom	1
18	Boom Extension	1
19	Main Post	1
20	Turn Handle	1
21	Jack	1
22	Jack Handle	
23	Turntable	1
24	Bearing	1
25	Base	1
26	Chain & Hook	1

Replacing the Hydraulic System Oil: Replace the oil at least once per year. Do not mix different types of oil.

Remove the jack from the lift & completely lower the ram. Gently remove the oil filter plug and fill with high quality hydraulic oil. Purge the air from the hydraulic system as described above. Add more oil if needed, and replace the oil filter plug.

Parts Diagram



201108