

BB07582

1000 Lb Pickup Truck Crane With Winch

Assembly & Operating Instructions



READ ALL INSTRUCTIONS AND WARNINGS BEFORE USING THIS PRODUCT.

This manual provides important information on proper operation & maintenance. Every effort has been made to ensure the accuracy of this manual. These instructions are not meant to cover every possible condition and situation that may occur. We reserve the right to change this product at any time without prior notice.

IF THERE IS ANY QUESTION ABOUT A CONDITION BEING SAFE OR UNSAFE, DO NOT OPERATE THIS PRODUCT!

HAVE QUESTIONS OR PROBLEMS? DO NOT RETURN THIS PRODUCT TO THE RETAILER - CONTACT CUSTOMER SERVICE.

If you experience a problem or need parts for this product, visit our website <http://www.buffalotools.com> or call our customer help line at **1-888-287-6981, Monday-Friday, 8 AM - 4 PM Central Time**. A copy of the sales receipt is required.

FOR CONSUMER USE ONLY – NOT FOR PROFESSIONAL USE.

KEEP THIS MANUAL, SALES RECEIPT & APPLICABLE WARRANTY FOR FUTURE REFERENCE.

BB07582 1000 Lb Pickup Crane With Winch

FEATURES:

1000 Lb Max Capacity
3/16" Steel Box Tube Boom
Base Swivels 360 Degrees
Cable Extends 25 ft.

Max Boom Length: 53-1/2"
Max Boom Height: 80" From Base
Mounts To Your Truck Bed

FOR CONSUMER USE ONLY – NOT FOR PROFESSIONAL USE

WARNING

READ AND UNDERSTAND ALL INSTRUCTIONS. Failure to follow all instructions listed below may result in electric shock, fire and/or serious personal injury.

RECOGNIZE SAFETY SYMBOLS, WORDS AND LABELS

What You Need to Know About Safety Instructions

Warning and Important Safety Instructions appearing in this manual are not meant to cover all possible conditions and situations that may occur. Common sense, caution and care must be exercised when operating or cleaning tools and equipment.

Always contact your dealer, distributor, service agent or manufacturer about problems or conditions you do not understand.

IMPORTANT SAFETY INSTRUCTIONS

WORK AREA

WARNING

- Keep your work area clean and well lit.
- Stay alert, watch what you are doing and use common sense. Do not use while under the influence of alcohol or drugs.
- Keep bystanders, children and visitors away while operating. Distractions can cause you to lose control.
- Wear protective gear if needed. Do not wear loose jewelry or clothing that could become entangled in the device.

USE AND CARE

WARNING

- Always check for damaged, worn or rusty parts before using. Check that the winch cable does not show any signs of knotting, weakening, fraying or kinking. Do not use if device is damaged.
- Do not use this crane and winch for anything other than its intended purpose. Do not exceed the weight load capacity. Do not overload the crane and/or winch. Doing so could result in serious personal injury or extensive property damage.
- Do not add unapproved extensions to the crane or winching cable.
- Do not use this winch unless it is securely and correctly bolted into a truck bed with the proper couplings.
- Do not use this crane and winch to lift or hoist people. Doing so could result in serious personal injury or death.
- Stay clear of the load while hoisting to avoid injury.

Assembly Instructions

Please refer to part list for reference while assembling this device.

Choose a location in your truck bed that is flat, and can handle a load of up to 1000 lbs. Be sure that the mounting area is free from wires or other materials that will affect the operation or the structural integrity of the vehicle. (In most truck beds, this spot will likely be just behind the wheel well. Please check the vehicle owner's manual or your automotive dealer for more information.)

Using the pre-drilled holes in the Base Post (27) as a guide, find the desired position of the crane, and use a pencil to mark drill holes. Drill the holes into the truck bed, using the proper drill bit for the job and of the correct size to match a M12 Bolt (17). Align the Base Post (27) on top of the holes and slide the Bolts M12 x 50 (17) through the pre-drilled holes on the Base Post (27), and the holes that have been drilled in the truck bed.

Align the Angle Steel Plates (26) under the truck bed for additional support. Slide/screw the Washer #10 (13), Spring Washer (12) and Nut M12 (14) onto the Bolts M12 x 50 (17), to secure the Base Post (27) and Angle Steel Plates (26) into place. Tighten the Nut M12 (14) securely.

Slide the Post (21) and upper assembly onto the Base Post (27), and secure with the Locking Pin (19) and "R" Pin (5).

Operation Instructions

WARNING

- **Always secure the load after moving.** Do not rely on the winch to hold the load for extended periods of time, or while the vehicle is moving.
- **Never extend the winch cable fully when moving a load, or while bearing a load.** Always keep at least four full turns of the winch cable around the winch spool when beginning a lift.
- **Always set the parking break, or brace truck tires when lifting a load or using the winch.**
- **Do not attempt to lift a load while the vehicle is in motion.**
- **Do not exceed the weight limits marked on each setting of the boom.**

Release the Locking Pin (19) on the Post (21), and carefully swing the Post (21) and Boom (22) in the direction of the load to be lifted.

Use the Boom Extension Pin (7) to adjust and lock the Boom Extension (25) into place so that the Chain (15) and Hook (16) are directly above the load. **Do not exceed the weight limit!**

Use straps or ties as necessary to ensure the weight of the load is centered on the Chain (15) and Hook (16).

Close the pump release valve on the Jack (23) with the Jack Handle (24) by turning in a clockwise direction.

Return the Jack Handle (24) to its original position on the Jack (23) and pump the Jack Handle Jack Handle (24) with an up and down motion to begin to raise the load.

When the object has been raised to the height needed to clear the truck bed, slowly and carefully swing the Boom (22) and Boom Extension (25) until the load hovers over the desired rest position in the truck bed. .

DO NOT EXTEND OR RETRACT THE BOOM WHILE THE LOAD IS ATTACHED TO THE CRANE. If the load/crane need adjustment, lower and release the load, make the adjustments, and try the lift again.

Lower the load by slowly turning the pump release valve on the Jack (23) counterclockwise by using the Jack Handle (24).

Replace the Locking Pin (19) to lock the Post (21) and Boom (22) in place over the truck bed. Secure the load with ties or straps. **Do not rely on the winch to hold the load for extended periods of time, or while the vehicle is moving.**

Reverse these steps to move the load from the bed of the truck.

Maintenance

WARNING

- When performing maintenance, use only identical replacement parts, failure to do so will void the warranty.
- Use only accessories intended for this crane and winch.

Purging Air From The Hydraulic System: Air bubbles can become trapped in the hydraulic system, which can reduce the usefulness of the jack. Regularly purging the air in the hydraulic system will prevent the jack operating efficiently.

Using the slotted end of the Jack Handle (24), turn the valve release screw on the Jack (23) 1.5 turns counterclockwise. Gently remove the oil filter plug on the side of the Jack (23) by pulling and turning as needed.

Remove the air from the hydraulic system by pumping the Jack Handle (24) rapidly several times.

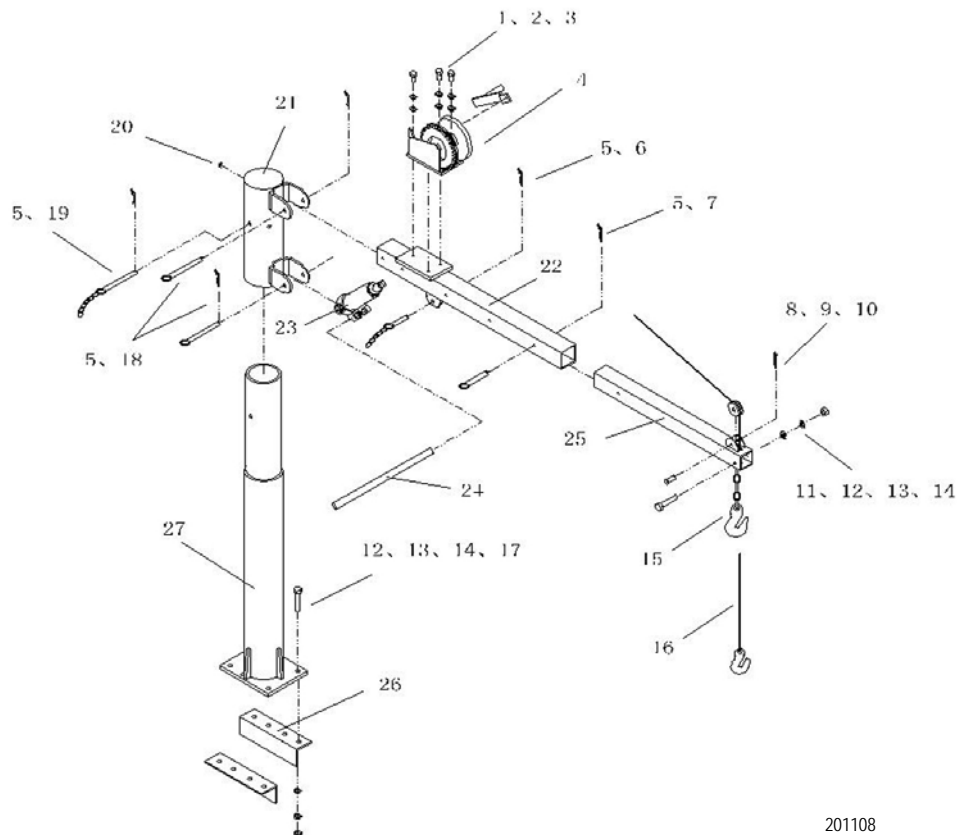
Using the slotted end of the Jack Handle (24), turn the valve release screw on the Jack (23) clockwise, back to its original position, or until snug. Replace the oil filler plug.

Parts List

Part	Description	Qty
1	Bolt m10 x 20	3
2	Spring Washer #10	3
3	Washer #10	3
4	Winch	1
5	"R" pin	5
6	Pin 12 X 60	1
7	Boom Extension Pin	1
8	Pin 12 X 35	1
9	Wheel	1
10	Pin	1
11	Molt M12 x 70	1
12	Spring Washer #10	6
13	Washer #10	6
14	Nut M12	6
15	Chain	1
16	Hook	1
17	Bolt M12 x 50	5
18	Pin 12 X 90	2
19	Locking Pin	1
20	Oil Bolt	1
21	Post	1
22	Boom	1
23	Jack	1
24	Jack Handle	1
25	Boom Extension	1
26	Angle Steel Plates	2
27	Base	1

Replacing the Hydraulic System Oil: Replace the oil at least once per year. Do not mix different types of oil.

Remove the jack from the lift & completely lower the ram. Gently remove the oil filter plug and fill with high quality hydraulic oil. Purge the air from the hydraulic system as described above. Add more oil if needed, and replace the oil filter plug.



201108