



# INSTALLATION AND OPERATION MANUAL MOBILE EVAPORATIVE COOLER

Circle the model of your cooler and record the serial number.  
*Encierre con un círculo el modelo de su enfriador y escribe el número de serie.*

**MMBT12**

**MMBT14**

**DATE OF PURCHASE:**  
*FECHA DE COMPRA:* \_\_\_\_\_

**SERIAL NUMBER:**  
*NÚMERO DE SÉRIE:* \_\_\_\_\_

Read carefully all of this manual before installing the unit /  
*Lea con cuidado todo este manual antes de instalar la unidad.*

**TABLE OF CONTENTS**

SAFETY INSTRUCTIONS.....	1
HOW EVAPORATIVE COOLING WORKS.....	1
COOLER ASSEMBLY.....	2
OPERATION.....	2
MAINTENANCE.....	3
ROUTINE.....	3
YEARLY.....	3
TROUBLE SHOOTING.....	4
SPECIFICATIONS.....	4
LIMITED WARRANTY.....	5
<b>INSTRUCCIONES EN ESPAÑOL</b> .....	6-9
<b>ILLUSTRATED PARTS LIST /</b>	
<b>LISTA ILUSTRADA DE PIEZAS DE REPUESTO</b>	
<b>(ENGLISH / ESPAÑOL)</b> .....	10-11
GARANTIA LIMITADA.....	12

**HOW EVAPORATIVE COOLING WORKS**

Evaporative cooling is nature's way of cooling. When air is moved over a wet surface, water is evaporated and heat is absorbed. When stepping out of a swimming pool with the wind blowing, evaporative cooling makes you feel cool, even though the air may be warm. The human body itself is cooled primarily by the evaporation of perspiration.

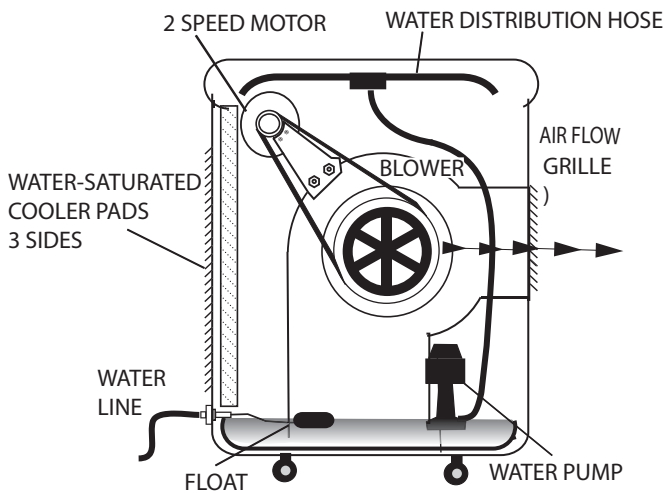
This unit works on the same principle. Air is drawn across wet filter pads where the air is cooled by evaporation and then circulated throughout the building. It is this combination of cooled air and the movement of air over the skin which makes it feel cool.

Unlike refrigeration systems which recirculate the air, an evaporative cooler continually brings in fresh air while exhausting old air. You are completely replacing the air every 2 to 4 minutes by opening windows or doors or a combination of both. The air is always fresh, not stale, laden with smoke and odors as happens with refrigerated air conditioning.

**READ AND SAVE THESE INSTRUCTIONS**

1. Read these instructions carefully.
2. Unit must be in the **Off Position** and **Unplugged** from power receptacle when installing or performing any maintenance.
3. This cooler will run on 120 volt A.C., 60 Hz (cycle) current only.
4. Motor and pump are grounded and have an automatic thermal overload switch which will shut motor off if it overheats. The motor will restart automatically when it cools down.
5. Pump receptacle is for grounded evaporative cooler pump only. Do not plug anything else into receptacle.
6. Do Not operate any fan with a damaged cord or plug. Discard fan or return to an authorized service facility for examination and/or repair.
7. Do Not run cord under carpeting. Do Not cover cord with throw rugs, runners or similar coverings. Do Not route cord under furniture or appliances. Arrange cord away from traffic area and where it will not be tripped over.
8. Use only in GFCI protected receptacles.

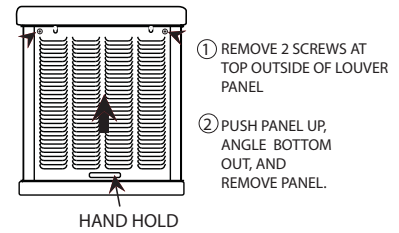
**⚠ WARNING:** To reduce the risk of fire or electric shock, do not use this fan with any "solid-state fan speed control device."



# COOLER ASSEMBLY

**NOTE:** Installation kit and manual are inside the unit.

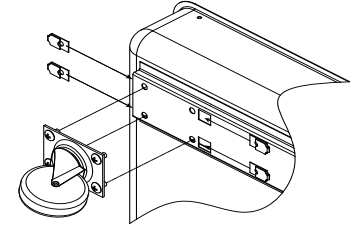
1. Unpack unit from carton. Please recycle and discard of packing material responsibly.
2. Two screws secure each louver panel. Locate and remove the screws about 1-1/2 inches below the plastic work top. Replace these screws when re-installing panel.
3. Access the interior of the unit by using the handhold at the bottom of the louvered side to lift up and out of the cabinet. Locate and remove the plastic bag of parts and manual.



## CASTER INSTALLATION

**NOTE:** The installation kit includes (2) swivel casters with brake, (2) swivel casters without brake, (16) tinnerman nuts and (16) 1/4-20 x 1/2 screws.

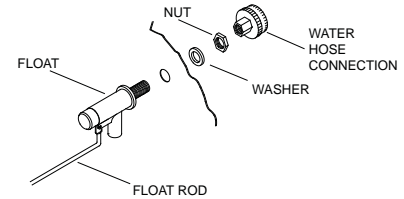
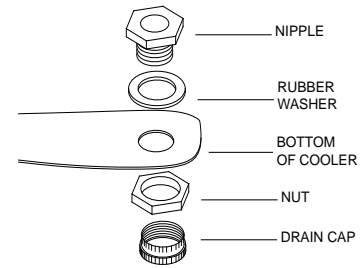
1. Place the unit on its side. Place the tinnerman nuts on the caster bracket on the bottom pan.
2. Attach the casters to the brackets with the screws provided. See illustration at right.



## WATER CONNECTION

In addition to containing a large reservoir, this unit can have constant water supply via a common water hose or designated water line.

- **Install drain assembly.** Place the nipple through the hole in the pan, with the rubber washer between the pan and the head of the drain nipple. Thread nut onto nipple and draw up tight against bottom of pan. Thread the drain cap to the nipple and tighten water tight.
- **Install float valve.** Refer to figure at right. Install the valve in the provided hole in the corner post using the provided washer and nut. Install the included garden hose adapter to the float as shown if attaching a garden hose to the unit. A 1/4 inch water line may also be used to supply a continuous amount of water to the unit.
- **Fill pan with water.** You may fill the pan manually for up to 3 hours of cooling. For automatic filling you may attach a garden hose to the garden hose adapter or a 1/4 inch water line to the float valve.



**Note: Do Not Overfill.** Fill water to a maximum height of 2 1/2 inches (approximately 1 inch from the top of the bottom pan). If using a garden hose or water line, the float will need to be adjusted to maintain this water level. This can be accomplished by bending the float rod.

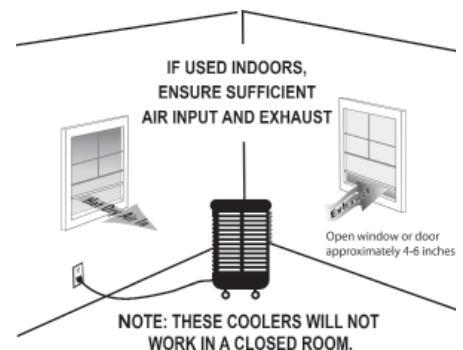
# OPERATION

## LOCATION

- When setting up the MasterCool MMBT unit in an outdoor location, take into consideration the following cautions:

**CAUTIONS:** Ensure power cord is secured and does not pose a tripping hazard. Similarly, if using a water hose for constant water supply, lock unit casters, and secure hose to reduce tripping hazard.

- If the unit is used in an enclosed area, ensure sufficient outside air intake and exhaust by opening windows or doors. Without a good source of outside air and an outlet to exhaust the air, humidity will build up in the enclosed space and the unit will not cool adequately.



## CONTROLS

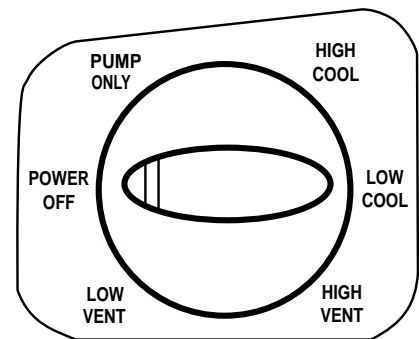
This unit can be used as a fan only or as an evaporative cooler. The six-position switch allows for two speeds in fan mode (VENT), two speeds for COOL mode, a separate PUMP position to pre-wet the pads, and an OFF position.

### COOLING MODE:

1. If cooling pads are dry, place the knob in the PUMP ONLY position about 3 minutes to allow the cooling pads to wet before turning on fan.
2. Turn the switch to either HIGH COOL or LOW COOL to start the fan in cooling mode.

**NOTES:** The pump will automatically turn on when the HIGH or LOW COOL position is selected.

Use the LOW COOL setting whenever possible. This lower speed causes the air to stay longer in the wet pads and therefore increases the cooling efficiency.



### FAN ONLY MODE:

1. The HIGH VENT or LOW VENT positions will start the fan only, without water.

# MAINTENANCE

**⚠ WARNING:** Before doing any maintenance be sure power is off and unit is unplugged. This is for your safety.

## ROUTINE MAINTENANCE

### WEEKLY:

1. Drain and replenish water from the cooler at least weekly. This keeps the water in the pan fresh and helps prevent scale and mineral deposit accumulation on the pads.

### AT THE END OF THE SEASON OR DURING EXTENDED PERIODS OF NON-USE:

1. Completely drain the reservoir and disconnect water supply. Ensure no water remains during freezing weather.
2. Unplug unit from power supply.
3. Cover unit or store inside when not in use.

## ANNUAL MAINTENANCE

1. **Change Pads.** Pads should be replaced once or twice a season, depending upon the length of the season. At the beginning and at mid season a clean pad is more absorbent and efficient and will deliver substantially cooler air.
  - a. Remove louvered side.
  - b. Unhook the wire pad holder.
  - c. Replace pad (some trimming may be necessary.)
  - d. Reattach the wire pad holders and replace louvered sides.

**NOTE:** These units come with synthetic cooling pads. Although aspen pads can be used in these coolers, we recommend using synthetic pads over aspen pads if using indoors, to reduce the incidence of shedding.

2. **Clean pump.** Cleaning the pump is necessary once a year at start-up.

**⚠ CAUTION:** Before cleaning pump, ensure unit is turned off and unit and pump are unplugged.

- a. Remove the pump from the mount slot.
- b. Remove the base of the pump.
- c. Clean the pump and turn the impeller to ensure free operation
- d. Remove the pump spout and check for any blockage.
- e. After cleaning, reinstall the base onto the pump. Press firmly to make sure it is secure.
- f. Reattach the pump to the mount in the cooler using the plastic retainer to ensure that the pump will not overturn.

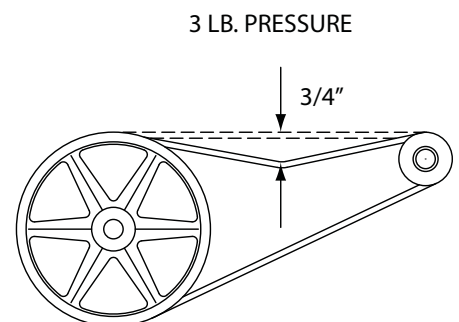
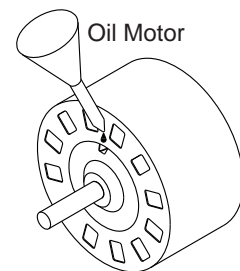
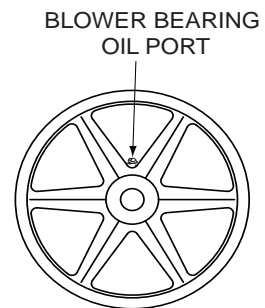
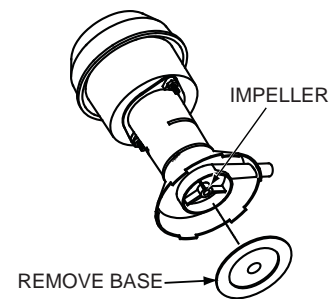
**NOTE:** Do not forget to replace the spout and water delivery tube onto the pump outlet.

3. **Oil blower bearings (MMBT14 only).** The blower bearings should be oiled with a few drops of non-detergent 20/30 weight oil once each year.
4. **Oil motor bearing (MMBT12 only).** The cooler motor in this unit should be oiled with a few drops of non-detergent 20/30 weight oil once each year. The oil ports are located on each side of the motor.

**⚠ CAUTION:** Do not over oil. Over oiling can cause motor burn out, due to excessive oil getting into motor winding.

5. **Check belt and belt tension.** This applies only to model MMBT14 which is belt driven. Model MMBT12 has a direct drive motor. Check the belt for any cracks or wear and replace if necessary. Check the tension on the belt. A 3 lb. force should deflect the belt 3/4 inches. Readjust belt if needed.

By following the operating, installation, and maintenance suggestions as outlined, you can get many years of efficient and satisfactory service from your cooler. In the event additional information is desired, your dealer will be more than glad to assist you in every possible way.



## TROUBLESHOOTING

<u>Problem</u>	<u>Possible Cause</u>	<u>Remedy</u>
Failure to start or no air delivery	<ol style="list-style-type: none"> <li>No electrical power to unit                             <ul style="list-style-type: none"> <li>Fuse blown</li> <li>Circuit breaker tripped</li> <li>Electric cord unplugged or damaged</li> </ul> </li> <li>Belt too loose or tight</li> <li>Motor overheated                             <ul style="list-style-type: none"> <li>Belt too tight</li> <li>Blower bearings dry</li> </ul> </li> <li>Motor locked</li> </ol>	<ol style="list-style-type: none"> <li>Check power                             <ul style="list-style-type: none"> <li>Replace fuse</li> <li>Reset breaker</li> <li>Plug in cords or replace if damaged</li> </ul> </li> <li>Adjust belt tension</li> <li>Determine cause of overheating                             <ul style="list-style-type: none"> <li>Adjust belt tension</li> <li>Oil blower bearings</li> </ul> </li> <li>Replace motor</li> </ol>
Inadequate air delivery with cooler running	<ol style="list-style-type: none"> <li>Insufficient air exhaust</li> <li>Belt too loose</li> <li>Pads plugged</li> </ol>	<ol style="list-style-type: none"> <li>Open windows or doors to increase air flow</li> <li>Adjust belt tension or replace if needed</li> <li>Replace pads</li> </ol>
Inadequate cooling	<ol style="list-style-type: none"> <li>Inadequate exhaust in house</li> <li>Pads not wet                             <ul style="list-style-type: none"> <li>Pads plugged</li> <li>Open spots in pads</li> <li>Trough holes clogged</li> <li>Pump not working properly</li> </ul> </li> </ol>	<ol style="list-style-type: none"> <li>Open windows or doors to increase air flow</li> <li>Check water distribution system                             <ul style="list-style-type: none"> <li>Replace pads</li> <li>Repack pads</li> <li>Clean trough and unplug holes</li> <li>Replace or clean pump</li> </ul> </li> </ol>
Motor cycles on and off	<ol style="list-style-type: none"> <li>Low voltage</li> <li>Excessive belt tension</li> <li>Blower shaft tight or locked</li> <li>Bearings dry</li> </ol>	<ol style="list-style-type: none"> <li>Check voltage</li> <li>Adjust belt tension</li> <li>Oil or replace bearings</li> <li>Oil bearings</li> </ol>
Noisy	<ol style="list-style-type: none"> <li>Bearings dry</li> <li>Wheel rubbing blower housing</li> <li>Loose parts</li> </ol>	<ol style="list-style-type: none"> <li>Oil bearings</li> <li>Inspect and realign</li> <li>Tighten loose parts</li> </ol>
Excessive humidity in house	<ol style="list-style-type: none"> <li>Inadequate exhaust</li> </ol>	<ol style="list-style-type: none"> <li>Open doors or windows</li> </ol>
Musty or unpleasant odor	<ol style="list-style-type: none"> <li>Stale or stagnate water in cooler</li> <li>Pads mildewed or clogged</li> <li>Pads not wetting properly                             <ul style="list-style-type: none"> <li>Trough holes clogged</li> <li>Pump not working properly</li> </ul> </li> </ol>	<ol style="list-style-type: none"> <li>Drain pan and clean pads</li> <li>Replace pads</li> <li>Check water distribution system                             <ul style="list-style-type: none"> <li>Clean</li> <li>Replace or clean pump</li> </ul> </li> </ol>
Water draining from cooler	<ol style="list-style-type: none"> <li>Float arm not adjusted properly</li> <li>Drain assembly leaking</li> </ol>	<ol style="list-style-type: none"> <li>Adjust float</li> <li>Tighten nut and drain cap.</li> </ol>

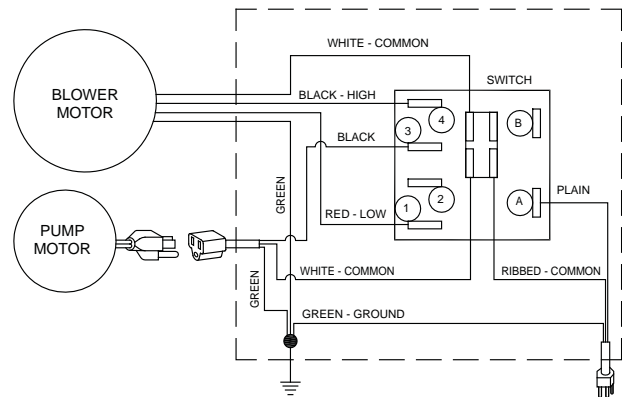
### SPECIFICATIONS: MMBT12

<b>DIMENSIONS</b>	H: 34-7/8"	W: 32-5/8"	D: 22-1/8"
<b>AREA COOLED</b>	UP TO 600 SQ.FT.		
<b>MOTOR SPECS.</b>	1/3 HP	2 SPEED	1145 CFM
<b>ELECT. SPECS.</b>	115 VOLTS		8.1 AMPS
<b>WEIGHT (LBS)</b>	DRY: 96		OPERATING: 162
<b>RESERVOIR</b>	8 GALLONS		

### SPECIFICATIONS: MMBT14

<b>DIMENSIONS</b>	H: 38-7/8"	W: 35-3/16"	D: 29-9/16"
<b>AREA COOLED</b>	UP TO 1100 SQ. FT.		
<b>MOTOR SPECS.</b>	1/2 HP	2 SPEED	1600 CFM
<b>ELECT. SPECS.</b>	115 VOLTS		10.7 AMPS
<b>WEIGHT (LBS)</b>	DRY: 150		OPERATING: 242
<b>RESERVOIR</b>	11 GALLONS		

### ELECTRICAL SCHEMATIC (FOR REFERENCE ONLY)



## **MASTERCOOL MOBILE EVAPORATIVE COOLER**

### **ONE YEAR LIMITED WARRANTY POLICY**

#### **SALES RECEIPT REQUIRED AS PROOF OF PURCHASE FOR ALL WARRANTY CLAIMS.**

This warranty is extended only to the original purchaser of this evaporative cooler when the unit is installed and used under normal conditions against defects in workmanship and materials as follows:

- One (1) year from date of sale on the unit

The manufacturer will replace the defective part/product, at its discretion, with return freight paid by the manufacturer. It is agreed that such replacement is the exclusive remedy available from the manufacturer and that TO THE MAXIMUM EXTENT PERMITTED BY LAW, THE MANUFACTURER IS NOT RESPONSIBLE FOR DAMAGES OF ANY KIND, INCLUDING INCIDENTAL AND CONSEQUENTIAL DAMAGE OR LOSS OF PROFITS OR REVENUES.

Some states do not allow limitations on how long an implied warranty lasts, so the above limitations may not apply to you.

#### **Exclusions from this warranty**

We are not responsible for media pads which are considered disposable and should be replaced periodically.

We are not responsible for any incidental or consequential damage from any malfunction, accident, misuse, alterations, unauthorized repairs, abuse, including failure to perform reasonable maintenance, normal wear and tear, nor where the connected voltage is more than 5% above the nameplate voltage.

Alterations include the substitution of name brand components including, but not limited to media pads.

We are not responsible for any damage from the use of water softeners or treatments, chemicals or descaling materials.

We are not responsible for the cost of service calls to diagnose the cause of trouble, or labor charge to repair and/or replace parts.

No employee, agent, dealer or other person is authorized to give any warranties or conditions on behalf of the manufacturer. The customer shall be responsible for all labor costs incurred.

Some states do not allow the exclusion or limitation of incidental or consequential damages, so the above limitations or exclusions may not apply to you.

#### **How to obtain service under this warranty**

Within the limitations of this warranty, purchaser with inoperative units should contact the dealer where you purchased the cooler. If for any reason you are not satisfied with the response from the dealer, contact Customer Service at **800-643-8341** for instructions on how to obtain service within warranty as listed above.

This warranty gives the customer specific legal rights, and you may also have other rights which vary from province to province, or state to state.

Register your product at [www.championcooler.com](http://www.championcooler.com).

**MASTERCOOL BY CHAMPION COOLER**  
**5800 MURRAY ST.**  
**LITTLE ROCK, AR. 72209**  
**WWW.CHAMPIONCOOLER.COM**







## MANUAL DE INSTALACIÓN Y OPERACIÓN MÓVIL ENFRIADOR EVAPORATIVO

Encierre con un círculo el modelo de su enfriador y escriba el número de serie.

MMBT12

MMBT14

FECHA DE COMPRA: \_\_\_\_\_

NÚMERO DE SÉRIE: \_\_\_\_\_

Lea con cuidado todo este manual antes de instalar la unidad.

### TABLA DE CONTENIDO

REGLAS DE SEGURIDAD.....	6
CÓMO ENFRIAMIENTO POR EVAPORACIÓN FUNCIONA.....	6
CONJUNTO DEL ENFRIADOR.....	7
OPERACIÓN.....	7
MANTENIMIENTO.....	8
GENERAL.....	8
ANUAL.....	8
LA LOCALIZACIÓN DE AVERÍAS.....	9
ESPECIFICACIONES.....	9
LISTA DE PIEZAS DE REPUESTO (ENGLISH / ESPAÑOL).....	10-11
GARANTÍA LIMITADA.....	12

### CÓMO ENFRIAMIENTO POR EVAPORACIÓN FUNCIONA

El enfriamiento por medio de evaporación es la manera de la naturaleza de refrescarse. Cuando el aire se mueve sobre una superficie mojada, se evapora el agua y se absorbe el calor. Al salir de una piscina con el viento que sopla usted se siente fresco, aunque el aire puede ser caliente. El cuerpo humano sí mismo es refrescado principalmente por la evaporación del sudor.

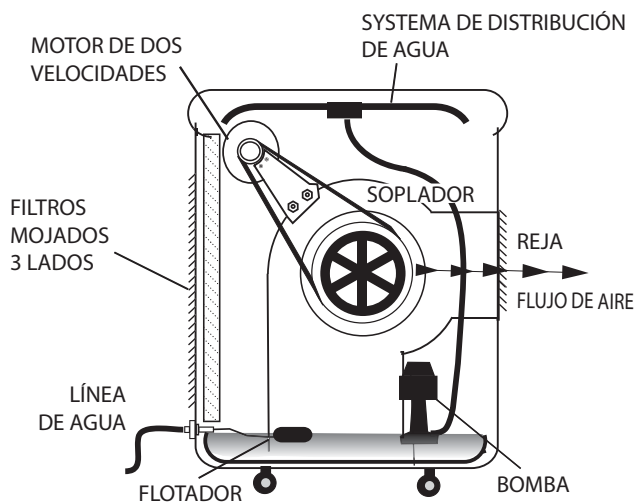
Este enfriador funciona usando el mismo principio. El aire se traza a través de los filtros mojados donde el aire se enfría por medio de evaporación y después circula a través del edificio. Se hace frío de la sensación cuando tiene esta combinación del aire enfriado y del movimiento del aire sobre la piel.

A diferencia de los acondicionadores de aire que recirculan el aire, un enfriador evaporativo trae continuamente por dentro el aire fresco mientras escapa el aire viejo. Se reemplaza completamente el aire cada 2 a 4 minutos, abriendo las ventanas o las puertas o una combinación de ambas. El aire es siempre fresco, no es viciado, cargado de humo y olores como ocurre con los sistemas de aire acondicionado a base de refrigeración.

### REGLAS DE SEGURIDAD

1. Lea las instrucciones con cuidado.
2. La unidad debe estar **Apagada** y **Desconectada** de la electricidad cuando se instale o haga cualquier mantenimiento.
3. Su enfriador funciona sólo con corriente alterna de 120 voltios, 60 Hz. (ciclos).
4. El motor y la bomba están conectados con la tierra, y se apagarán automáticamente en caso de sobrecalentamiento. Los motores volverán a funcionar cuando se enfrían.
5. Enchufe una bomba del enfriador evaporativo solamente y nada más al receptáculo de la bomba.
6. No haga a funcionar ningún ventilador con el cable o el enchufe dañado. Deseche el ventilador o llévelo a una instalación de servicio autorizada para revisarlo y/o repararlo.
7. No pase el cable debajo de alfombras. No cubra el cable con tapetes, alfombras o coberturas similares. No pase el cable debajo de los muebles o los aparatos. Coloque el cable lejos del área de tráfico y donde no se puede tropezar con él.
8. Utilice solamente en receptáculos protegidos con ICFT.

**⚠ADVERTENCIA:** Para reducir el riesgo de incendio o toques eléctricos, no use este ventilador con ningún "dispositivo de estado sólido para controlar la velocidad del ventilador."



# CONJUNTO DEL ENFRIADOR

**NOTA:** Las ruedas y el manual se encuentran dentro de la unidad.

1. Desembale la unidad de la caja. Por favor, reciclar y desechar el material de embalaje de manera responsable.
2. Dos tornillos fijan cada panel. Localice y retire los tornillos que se encuentran unas 1-1/2 pulgadas por debajo de la superficie de plástico. Vuelva a colocar los tornillos al volver a instalar el panel.
3. Acceder al interior de la unidad mediante el orificio de la mano en la parte inferior del panel para levantarlo arriba y fuera del gabinete. Localice y retire la bolsa de plástico de las piezas y el manual.

## INSTALAR LAS RUEDAS

**NOTA:** El kit de instalación contiene 2 ruedas giratorias con freno, 2 ruedas giratorias sin freno, 16 tuercas de tinnerman y 16 tornillos.

1. Pone la unidad por su lado. Coloque las tuercas de tinnerman por el soporte del rueda como se muestra la figura.
2. Coloque los ruedas al soporte con los tornillos probados.

## CONECTAR EL AGUA

Además de contener un depósito grande, esta unidad puede tener suministro constante de agua a través de una manguera de agua común o línea de agua designada.

1. **Instale el montaje de desagüe.** Quite la tuerca y pase la boquilla por el agujero de la bandeja, colocando la arandela de goma entre la bandeja y la cabeza de la boquilla. Coloque la tuerca en la boquilla y atornillela hasta que quede apretada contra la parte inferior de la bandeja. Atornille la tapa del desagüe a la boquilla para retener el agua.
2. **Instale la válvula del flotador.** Instale la válvula en el agujero que se encuentra en el poste de esquina usando la tuerca y arandela provistas. Si desea conectar una manguera de jardín para un suministro continuo de agua, instale el adaptador de manguera de jardín como se muestra en la figura. También se puede conectar un tubo de 1/4 pulgadas.
3. **Llene la bandeja con agua.** Se puede llenar la unidad con agua manualmente por hasta 3 horas de aire fresco. Para llenar automáticamente conecte una manguera de jardín al adaptador o un tubo de 1/4 pulgadas al flotador.

**Nota: No Sobrellene.** Llene el agua hasta una altura máxima de 2 y 1/2 pulgadas (aproximadamente una pulgada por debajo del borde superior de la bandeja). Si utiliza una manguera de jardín, debe ajustar el flotador para que mantenga este nivel. Esto se puede lograr doblando la varilla del flotador para arriba o para abajo.

## OPERACIÓN

### UBICACIÓN

- Al usar la unidad MasterCool MMBT en una ubicación exterior, tomar en consideración los siguientes precauciones:
  - ▲ **PRECAUCIONES:** Asegúrese de que el cable de alimentación está asegurada y no plantea un peligro de tropiezo. Del mismo modo, si se utiliza una manguera de jardín para el suministro de agua constante, bloquee las ruedas de la unidad, y asegure la manguera para reducir los riesgos de tropiezos.
- Si utiliza el enfriador evaporativo en interiores, asegúrese de tener suficiente entrada de aire exterior y de escape mediante la apertura de ventanas y puertas. Sin una buena fuente de aire exterior y una salida para escapar el aire, la humedad se acumulará en el espacio encerrado y la unidad no se enfriará adecuadamente.

### LOS CONTROLES

Esta unidad se puede utilizar como sólo un ventilador o como un enfriador evaporativo. El interruptor de seis posiciones permite dos velocidades para los modos de ventilador (VENT) y del modo fresco (COOL), una posición de la bomba para mojar los filtros (PUMP ONLY), y una posición de apagado (OFF).

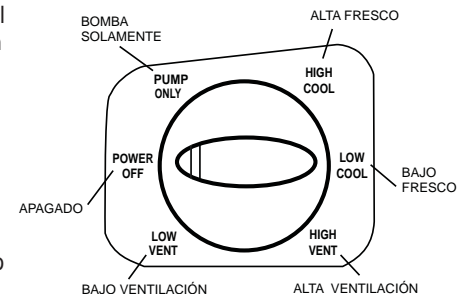
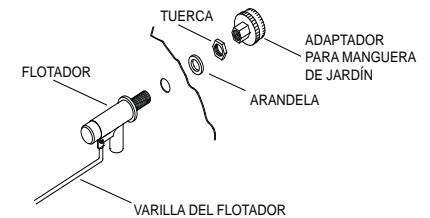
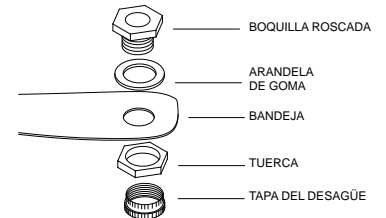
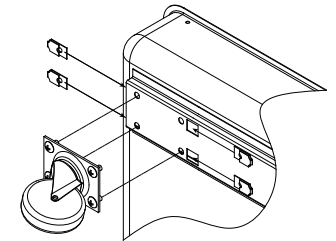
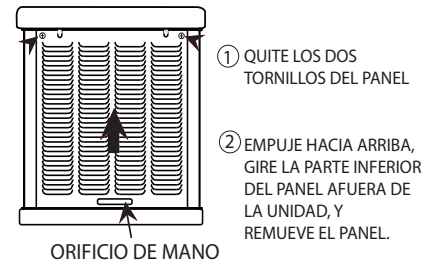
### MODO DE ENFRIAMIENTO:

1. Si los filtros están secos, coloque la perilla en la posición de "PUMP ONLY" durante unos 3 minutos para permitir que los filtros se mojen antes de encender el ventilador.
2. Gire el interruptor a cualquiera "HIGH COOL" (Alta Fresco) o "LOW COOL" (Bajo Fresco) para iniciar el ventilador en modo de enfriamiento.

**NOTES:** La bomba se encenderá automáticamente cuando se selecciona la posición HIGH COOL o LOW COOL. Utilice el ajuste de bajo fresco cuando sea posible. Esta menor velocidad mantiene el aire más tiempo en los filtros mojados y por lo tanto aumenta la eficiencia de enfriamiento.

### MODO DE VENTILADOR SOLAMENTE:

1. Los posiciones de "HIGH VENT" o "LOW VENT" iniciará el soplador únicamente, sin agua.



# MANTENIMIENTO

**⚠️ ADVERTENCIA:** Antes de hacer cualquier mantenimiento, compruebe que la unidad esté apagada y desconectada de la electricidad. Esto es por su seguridad.

## MANTENIMIENTO GENERAL

### SEMANALMENTE:

- Drenar y reponer el agua del enfriador al menos semanalmente. Esto mantiene el agua dulce en la bandeja y ayuda a prevenir la acumulación de la escama y depósitos minerales en los filtros.

### AL FIN DE LA TEMPORADA Y DURANTE PERIODOS PROLONGADOS:

- Desagüe completamente toda el agua de la unidad y desconecte el suministro de agua. Asegúrese de que no queda agua durante el tiempo de congelación.
- Desconecte la unidad de la electricidad cuando no sea utilizada durante períodos extendidos.
- Cubra la unidad o almacénela adentro cuando no esta funcionando.

## MANTENIMIENTO ANUAL

**1. Cambie los filtros.** Debe cambiar los filtros una o dos veces durante cada temporada, según la duración de ésta. Al principio y a mediados de la temporada, un filtro limpio es más absorbente y eficiente y producirá un mayor volumen de aire frío.

- Quite los lados con rejillas.
- Desenganche los soportes del filtro de alambre.
- Reemplace los filtros (algunos recorte puede ser necesario.)
- Vuelva a colocar los soportes del filtro de alambre y vuelva a instalar los lados con rejillas.

**NOTA:** Estas unidades vienen con filtros de enfriamiento sintéticos. Aunque filtros de álamo se pueden utilizar en estos enfriadores, se recomienda utilizar filtros sintéticas en lugar de filtros de álamo si se utiliza en el interior, para reducir la incidencia de vertimiento.

**2. Limpie la bomba.** Es necesario limpiar la bomba una vez al principio de cada año.

**⚠️ PRECAUCIÓN:** Antes de limpiar la bomba, compruebe que la unidad está apagada y la unidad y la bomba están desenchufados.

- Quite el sujetador de plástico de la montura y jale la bomba, deslizándola hacia usted.
- Quite la base de la bomba.
- Limpie la bomba. Dé le vuelta a la hélice para verificar que se mueve libremente.
- Quite el pico de la bomba y vea si está obstruido.
- Después de limpiar, reinstale la base en la bomba. Presione firmemente para asegurarse de que es segura.
- Vuelva a colocar la bomba en la unidad y fíjela en su montura con el sujetador de plástico. Esto impedirá que se caiga la bomba al agua, lo que dañaría el motor.

**NOTA:** No se olvide de volver a conectar el tubo de agua a la bomba.

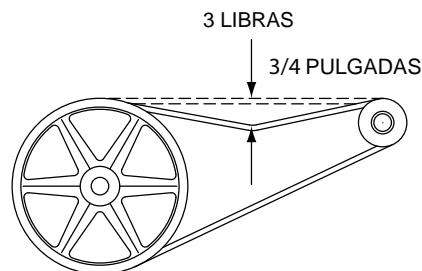
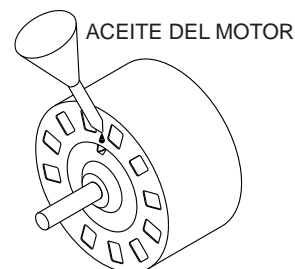
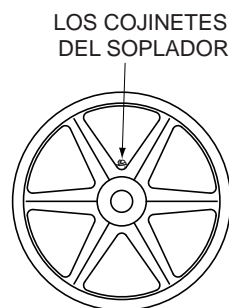
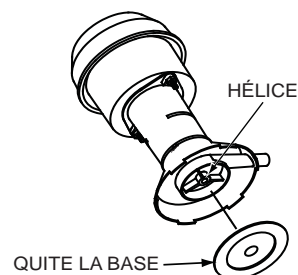
**3. Lubrique los cojinetes del soplador (MMBT14 solamente).** Los cojinetes del soplador deben aceitarse cada año con aceite no detergente de grado 20/30.

**4. Lubrique los cojinetes del motor (MMBT12 solamente).** El motor debe aceitarse cada año con aceite no detergente de grado 20/30. Los puertos de aceite están situados en cada lado del motor.

**⚠️ PRECAUCIÓN:** No lubrique demás. El agregar demasiado aceite puede ocasionar que se quemé el motor, a causa de un exceso de aceite entrando en los devanados del motor.

**5. Compruebe la correa y la tensión de la correa.** Esto se aplica solamente al modelo MMBT14 que tiene una correa. El modelo MMBT12 tiene motor de transmisión directa sin correa. Compruebe el correa para saber si hay grietas o desgaste y reemplácela si es necesario. Compruebe la tensión de la correa. Una fuerza de 3 libras debe desviar la correa 3/4 pulgadas (véase la figura). Ajuste la correa si es necesario.

Si usted sigue estas sugerencias en cuanto a instalación, operación y mantenimiento, podrá disfrutar de muchos años de servicio eficiente y satisfactorio de este enfriador.





## LA LOCALIZACIÓN DE AVERÍAS

<u>Problema</u>	<u>Causa Posible</u>	<u>Remedio</u>
No arranca o no sale aire	<ol style="list-style-type: none"> <li>No llega corriente                             <ul style="list-style-type: none"> <li>Fusible fundido</li> <li>Cortacircuito desactivado</li> <li>Cable eléctrico dañado</li> </ul> </li> <li>Correa muy floja o apretada</li> <li>Motor recalentado                             <ul style="list-style-type: none"> <li>Correa muy apretada</li> <li>Cojinetes de la rueda están secos</li> </ul> </li> <li>Motor parado</li> </ol>	<ol style="list-style-type: none"> <li>Revise la corriente                             <ul style="list-style-type: none"> <li>Cambie el fusible</li> <li>Restablecer el cortacircuito</li> <li>Reemplace el cable</li> </ul> </li> <li>Ajuste la tensión de la correa</li> <li>Determine la causa                             <ul style="list-style-type: none"> <li>Ajuste la tensión de la correa</li> <li>Lubrique los cojinetes</li> </ul> </li> <li>Cambie el motor</li> </ol>
Sale poco aire cuando la unidad está funcionando	<ol style="list-style-type: none"> <li>Insuficiente abertura para que salga el aire</li> <li>Poca tensión en la correa</li> <li>Filtros obstruidos</li> </ol>	<ol style="list-style-type: none"> <li>Abra las ventanas o las puertas para aumentar el flujo de aire</li> <li>Ajuste la tensión o cambie la correa</li> <li>Cambie los filtros</li> </ol>
Enfriamiento inadecuado	<ol style="list-style-type: none"> <li>El agotamiento del aire es inadecuado</li> <li>Los filtros no están mojados                             <ul style="list-style-type: none"> <li>Filtros obstruidos</li> <li>Filtros agujereados</li> <li>Agujeros de los canales obstruidos</li> <li>Bomba no funciona</li> </ul> </li> </ol>	<ol style="list-style-type: none"> <li>Abra más las ventanas o puertas</li> <li>Revise la distribución de agua                             <ul style="list-style-type: none"> <li>Cambie los filtros</li> <li>Acomode la paja en el filtro</li> <li>Límpielos</li> <li>Cámbiela o límpiela (Desconecte la unidad)</li> </ul> </li> </ol>
Motor se apaga y se enciende	<ol style="list-style-type: none"> <li>Voltaje deficiente</li> <li>Demasiada tensión en la correa</li> <li>Eje del ventilador atorado</li> <li>Cojinetes secos</li> </ol>	<ol style="list-style-type: none"> <li>Compruebe el voltaje</li> <li>Ajuste la tensión de la correa</li> <li>Lubrique o cambie los cojinetes (Desconecte la unidad)</li> <li>Lubrique los cojinetes</li> </ol>
Hace Ruido	<ol style="list-style-type: none"> <li>Cojinetes secos</li> <li>Rueda roza contra caja de la rueda</li> <li>Partes sueltas</li> </ol>	<ol style="list-style-type: none"> <li>Lubrique los cojinetes</li> <li>Inspeccione y alinee (Desconecte la unidad)</li> <li>Apriételas</li> </ol>
Demasiada humedad en la casa	<ol style="list-style-type: none"> <li>Insuficiente salida de aire</li> </ol>	<ol style="list-style-type: none"> <li>Abra las puertas o las ventanas</li> </ol>
Olor a encerrado, olor desagradable	<ol style="list-style-type: none"> <li>Agua estancado en la unidad</li> <li>Los filtros tienen moho o son obstruidos.</li> <li>Los filtros son secos                             <ul style="list-style-type: none"> <li>Agujeros del canal tapados</li> <li>Bomba no trabaja adecuada</li> </ul> </li> </ol>	<ol style="list-style-type: none"> <li>Desagüe y limpie los filtros</li> <li>Cambie los filtros</li> <li>Revise la distribución de agua                             <ul style="list-style-type: none"> <li>Límpielos</li> <li>Reemplace o limpie la bomba (Desconecte la unidad)</li> </ul> </li> </ol>
El agua está drenando del enfriador.	<ol style="list-style-type: none"> <li>El flotador no se ajusta correctamente</li> <li>El montaje de desagüe se está escapando</li> </ol>	<ol style="list-style-type: none"> <li>Ajuste el flotador</li> <li>Apriete la tuerca y la tapa de desagüe</li> </ol>

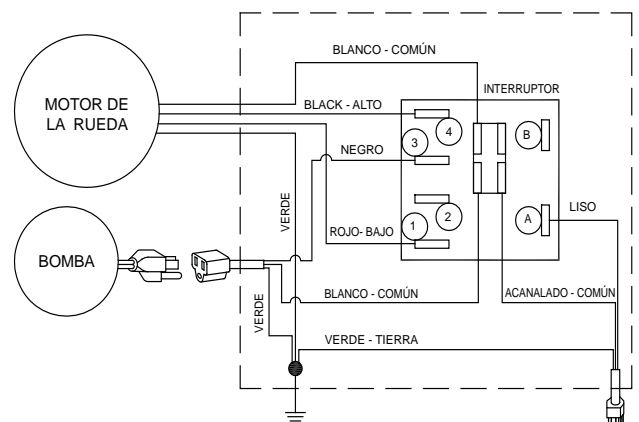
### ESPECIFICACIONES: MMBT12

<b>DIMENSIONES</b>	A: 34-7/8"	L: 32-5/8"	AN: 22-1/8"
<b>ENFRIA HASTA</b>	600 PIES CUADRADOS		
<b>ESPECIFICACIONES DE MOTOR</b>	1/3 CV	2 VELOCIDADES	1145 PIES CUBICOS POR MINUTO
<b>ESPECIFICACIONES ELECTRICAS</b>	115 VOLTIOS		8.1 AMPERAJES
<b>PESO (LIBRAS)</b>	SECO: 96	LLENO: 162	
<b>RESERVOIR</b>	8 GALONES		

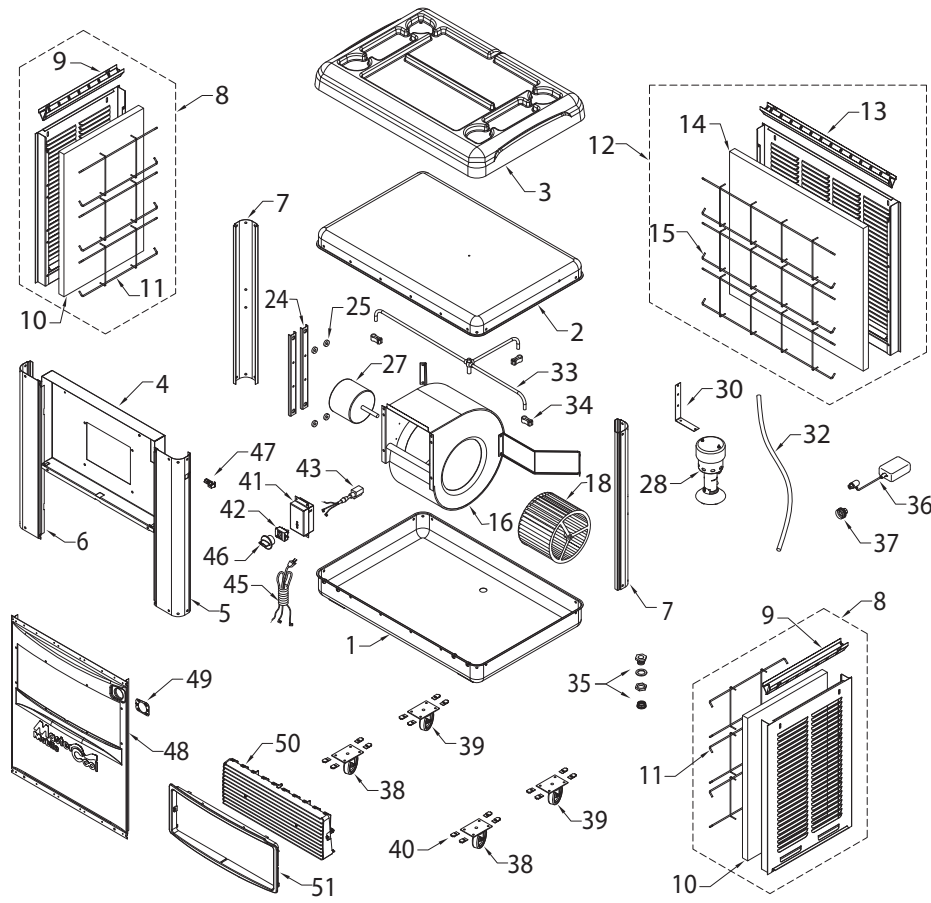
### ESPECIFICACIONES: MMBT14

<b>DIMENSIONES</b>	A: 38-7/8"	L: 35-3/16"	AN: 29-9/16"
<b>ENFRIA HASTA</b>	1100 PIES CUADRADOS		
<b>ESPECIFICACIONES DE MOTOR</b>	1/2 CV	2 VELOCIDADES	1600 PIES CUBICOS POR MINUTO
<b>ESPECIFICACIONES ELECTRICAS</b>	115 VOLTIOS		10.7 AMPERAJES
<b>PESO (LIBRAS)</b>	SECO: 150	LLENO: 242	
<b>DEPÓSITO</b>	11 GALONES		

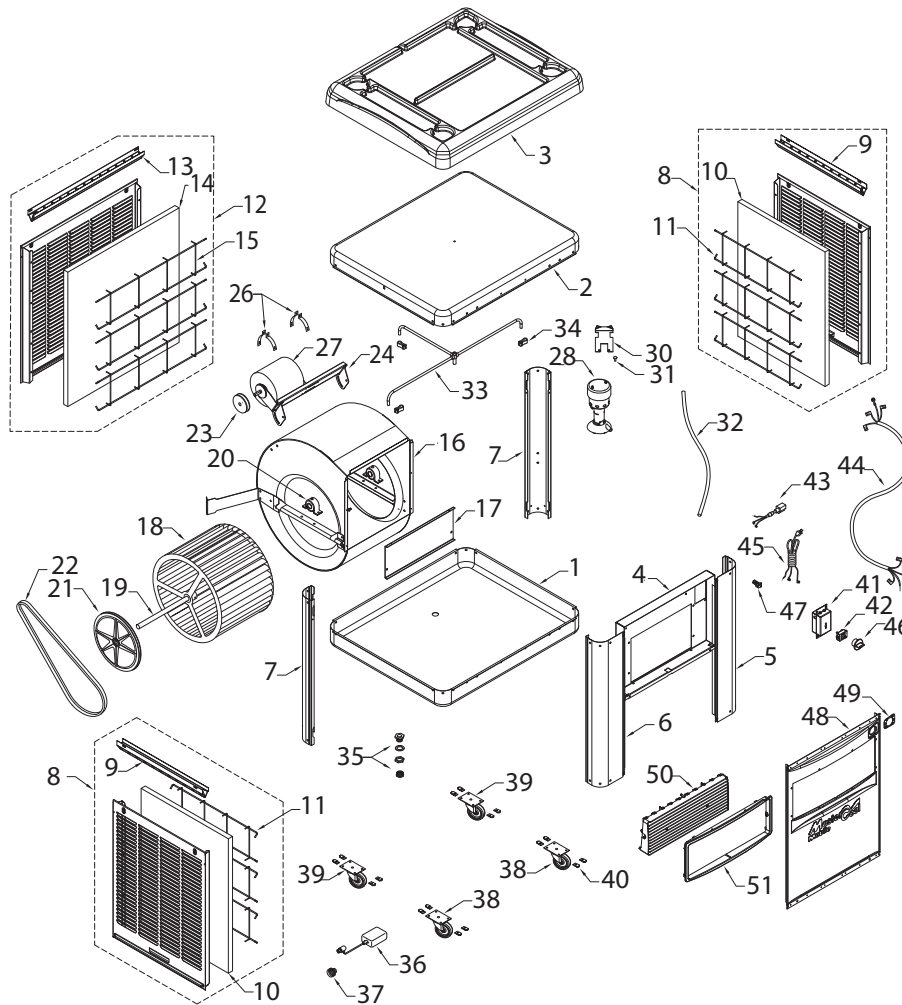
### ESQUEMA ELÉCTRICO (SÓLO DE REFERENCIA)



# MMBT12 Parts Diagram



# MMBT14 Parts Diagram



## PARTS IDENTIFICATION/ IDENTIFICACIÓN DE PIEZAS

When ordering parts, please be sure to furnish the following information on all orders. Failure to do so may delay your order. / Al pedir piezas, incluya toda la información siguiente con su pedido. El no proporcionar toda esta información resultará en una demora.

1. Model number / El Modelo,
2. Description and part number / Descripción y número de pieza
3. Serial number / Número de serie
4. Date of purchase / Fecha de compra

Note: Items listed without a part number are not available for purchase and are shown for reference only. Standard hardware items may be purchased from your local hardware store.

Nota: Los artículos sin un número de pieza no están disponibles para la compra y se muestran sólo para referencia. Artículos de uso corriente pueden comprarse en la ferretería de su localidad.

<b>N°</b>	<b>Description / Descripción</b>	<b>MMBT12</b>	<b>MMBT14</b>
1.	Bottom Pan / Base De La Caja.....	322175-102	322903-506
2.	Top Pan / Tapa .....	322175-101	222905-001
3.	Top Cover / Cubierta Superior De Plástico.....	281049-2	281049-3
4.	Blower Support Panel / Panel De Soporte Para El Soplado .....	222330-001	222331-001
5.	Front Post, Left / Poste De Frente, Izquierda.....	222323-001	222324-001
6.	Front Post, Right / Poste De Frente, Derecha.....	222323-002	222324-002
7.	Corner Post / Poste De Esquina) .....	324018-002 (2)	324003-054 (2)
8.	Louvered Side Assembly / Montaje De Reja Lateral .....	324006-207 (2)	324006-206 (2)
9.	Water Trough, Side / Canal De Agua, Lateral .....	226004-001 (2)	226003-001 (2)
10.	Media, Side / Medio Evaporativo Lateral.....	110124-3 (2)	110124-5 (2)
11.	Media Retainers, Side / Soportes Para El Medio Evaporativo, Lateral.....	3PW-16 (6)	3PW-3 (6)
12.	Louvered Back Assembly / Montaje De Reja Posterior.....	324006-208	324007-305
13.	Water Trough, Back / Canal De Agua, Posterior .....	226004-002	226003-002
14.	Media, Back / Medio Evaporativo, Posterior.....	110124-4	110124-6
15.	Media Retainers, Back / Soportes Para El Medio Evaporativo, Posterior.....	3PW-15 (3)	3PW-5 (3)
16.	Blower Housing / Caja Del Soplador.....		
17.	Blower Housing Filler Panel / Panel De Relleno Del Caja Del Soplador.....		
18.	Blower Wheel / Rueda De Soplador.....		
19.	Shaft, Blower Wheel / Eje De La Rueda De Soplador.....	-	110182
20.	Bearings, Blower Wheel Shaft / Cojinetes Del Eje De La Rueda De Soplador.....	-	110351 (2)
21.	Pulley, Blower Wheel / Polea Del Soplador.....	-	110275
22.	Drive Belt / Correa.....	-	110227
23.	Pulley, Motor / Polea Del Motor.....	-	110273
24.	Motor Mount / Montura Del Motor.....	218109-001 (2)	314003-025
25.	Motor Rail Grommet / Arandela De Goma Para La Montura Del Motor.....	110731 (4)	-
26.	Motor Mount Clips / Seguros Para Montar Motor.....	-	314005-001
27.	Motor / Motor.....	110441-2	110447
28.	Pump / Bomba.....	110428	110429
30.	Pump Mount / Montura De La Bomba.....	222175-006	218001-031
31.	Pump Retainer / Sujetador De La Bomba .....	-	110714
32.	Tube, Water Delivery / Tubo De Agua.....	310716	310716
33.	Water Distributor Assembly / Sistema Del Distribuidor De Agua.....	3D-15	3D-3
34.	Holder, Water Distributor / Soporte Para El Distribuidor De Agua.....	110574 (3)	110574 (3)
35.	Drain Assembly / Montaje De Desagüe.....	3DA-1	3DA-1
36.	Float Valve / Válvula De Flotador.....	FL-C	FL-C
37.	Garden Hose Adapter / Adaptador Para Manguera De Jardín.....	110824	110824
38.	Swivel Caster w/ Brake / Rueda Giratoria Con Freno.....	110822-5 (2)	110822-5 (2)
39.	Swivel Caster w/o Brake / Rueda Giratoria Sin Freno.....	110822-2 (2)	110822-2 (2)
40.	Tinnerman Nut / Tuerca Tinnerman.....	110916 (16)	110916 (16)
41.	Switch Box Assembly / Ensamblaje De La Caja Para El Interruptor .....	322334-1	322334-1
42.	Switch / Interruptor .....	110425	110425
43.	Pump Receptacle / Tomacorriente De La Bomba.....	110395-1	110395-1
44.	Electrical Motor Cord / Cable Eléctrico Del Motor.....	-	110366
45.	Electrical Power Cord / Cable Eléctrico.....	110394	110394
46.	Knob, Switch / Perilla Del Interruptor.....	110839-006	110839-006
47.	Strain Relief Bushing / Dispositivo De Alivio De Tensión .....	110736	110736
48.	Front Panel / Panel Delantero .....		
49.	Decal / Pegatina .....	110543-2	110543-2
50.	Adjustable Vent Assembly / Montaje De La Rejilla Ajustable De Ventilador.....	110839-501	110839-501
51.	Grill Trim Frame / Moldura Decorativa y Soporte De La Rejilla Ajustable.....	310889	310889

**MASTERCool ENFRIADOR MÓVIL POLÍTICA  
DE GARANTÍA LIMITADA UN AÑO**

**PARA CUALQUIER RECLAMO RELACIONADO CON LA GARANTÍA ES NECESARIO PRESENTAR EL RECIBO COMO PRUEBA DE COMPRA.**

Esta garantía se extiende solo al comprador original de este enfriador evaporativo, siempre y cuando la unidad sea instalada y utilizada en condiciones normales, contra defectos de fabricación y materiales como se detalla a continuación:

Un (1) año a partir de la fecha de la venta de la unidad

El fabricante reemplazará la parte o producto defectuoso, según lo crea conveniente, y se hará cargo de los gastos de envío de la devolución al cliente. Se acuerda que el reemplazo es la única solución que el fabricante tiene disponible. ASIMISMO, HASTA EL GRADO MÁXIMO PERMITIDO POR LA LEY, EL FABRICANTE NO SE HACE RESPONSABLE POR LOS DAÑOS DE CUALQUIER TIPO, INCLUIDOS DAÑOS INCIDENTALES Y EMERGENTES, O LA PÉRDIDA DE GANANCIAS O INGRESOS.

Algunos estados no permiten limitaciones con respecto a cuánto tiempo dura una garantía implícita, por lo tanto es posible que las limitaciones detalladas anteriormente no se apliquen a usted.

**Exclusiones de esta garantía**

No nos responsabilizamos por las almohadillas, que se consideran desechables y deben reemplazarse periódicamente.

No nos responsabilizamos por cualquier tipo de daños accidentales o resultantes, producto de cualquier tipo de mal funcionamiento, accidente, mal uso, alteraciones, reparaciones no autorizadas, abuso, incluidos la falta de mantenimiento razonable, uso o desgaste normal, ni en situaciones donde el voltaje conectado sea un 5% mayor al indicado por la placa indicadora.

Las alteraciones que puede sufrir el producto incluyen la sustitución de componentes de marca, incluido, pero no limitado almohadillas del medio.

No nos responsabilizamos por cualquier daño provocado por el uso de suavizantes o tratamientos de agua, químicos o materiales de descalcificación.

No nos responsabilizamos por el costo de las llamadas al servicio para diagnosticar la causa del problema o el cargo de la mano de obra para reparar o reemplazar piezas.

Los empleados, agentes, distribuidores u otras personas no se encuentran autorizados a brindar garantías o condiciones en nombre del fabricante. El cliente será responsable por todos los costos de mano de obra incurridos.

Algunos estados no permiten la exclusión o la limitación de daños incidentales o resultantes, por lo tanto es posible que las limitaciones o exclusiones detalladas anteriormente no se apliquen a usted.

**Cómo obtener servicio bajo esta garantía**

Dentro de las limitaciones de la presente garantía, el comprador que tenga unidades fuera de funcionamiento debe comunicarse con el servicio de atención al cliente al **800-643-8341** para obtener instrucciones sobre cómo obtener las piezas de repuesto dentro de la garantía, como se indica anteriormente.

Esta garantía le confiere al cliente derechos específicos. Además, el cliente puede gozar de otros derechos que varían según la provincia o el estado.

Registre su producto en [www.championcooler.com](http://www.championcooler.com).

**MASTERCool BY CHAMPION COOLER  
5800 MURRAY ST.  
LITTLE ROCK, AR. 72209  
WWW.CHAMPIONCOOLER.COM**

