

OWNER'S MANUAL

swisherinc.com

19145

19450

Bucket Lift



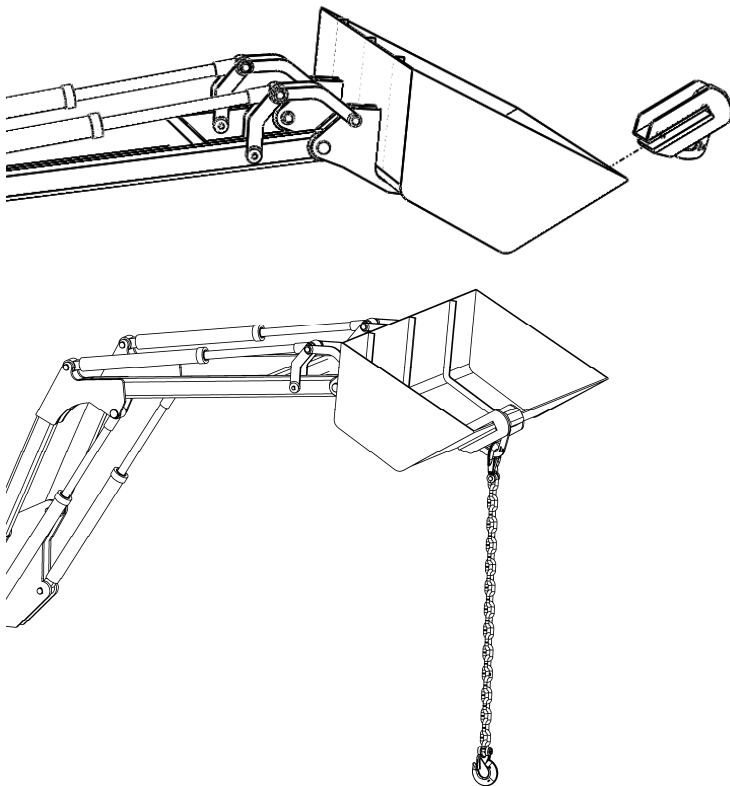
CHANGING YOUR LANDSCAPE SINCE 1945

Made In The
USA



Read specifications
and important
SAFETY tips on next
page before use!

3 EASY STEPS TO START USING YOUR BUCKET LIFT!



1. Slide the **BUCKET LIFT** over the bottom edge of your loader bucket.
2. Attach your lifting chain securely to the **BUCKET LIFT** lifting eye.
3. Attach the lifting chain to the load and you're ready!

Starting Serial #: L314-001001

19144 REV 14-001

SWISHER
1602 CORPORATE DRIVE, WARRENSBURG, MISSOURI 64093
PHONE 660-747-8183 FAX 660-747-8650

BUCKET LIFT Working Load Limit:

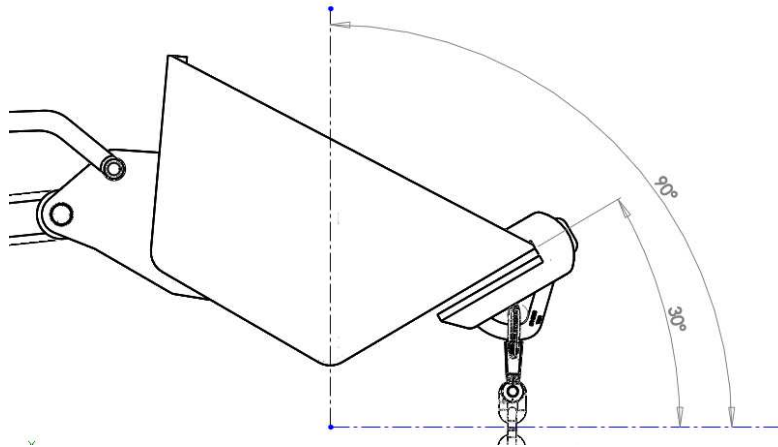
3,000 POUNDS

***Know the load weight before lifting!**

***Never exceed the stated load limit.**

Minimum lifting angle:

30 degrees



Safety

- **Inspect parts for damage and wear before each use. Do not use if damaged!**
- **Never stand under the suspended load. People within the working area of the lifting equipment must not be exposed to danger when the load is lifted or moved.**
- **Do not ride on the load.**
- **Be careful where you stand in relation to the load when lifting. The load might slip and cause injury. Keep your back clear.**
- **Lift vertically, otherwise the load will swing horizontally when clearing the ground.**
- **Avoid snatch loading. Do not expose the equipment to unnecessary strain, for example sudden jerks/abrupt movement.**
- **Never use lifting equipment for dragging goods or load the hook sideways. This could lead to damage or unexpected movement and create a dangerous situation.**
- **Always position the load in a way that makes it possible to remove the lifting equipment without using force.**
- **Test lift by carefully lifting the load just clear of the ground.**
- **Check the load security and angles before continuing.**
- **Handle the load with care. Lower it gently to avoid jerks.**
- **Do not load the hook sideways.**
- **Polyester lifting straps and slings are made of synthetic fiber and may rip or tear against sharp edges. Use only steel hooks or chain with the Bucket Lift.**
- **Take note of the max load. Never overload.**
- **Keep a minimum of 30° angle to the ground to keep the Bucket Lift secured to the loader bucket.**
- **Always carry the load as low as possible; when lifting, loads should only be raised high enough to allow free movement.**
- **When moving, the load should be transported in the lowest position possible and raised only when the vehicle is stopped.**

LIMITED WARRANTY

The manufacturer's warranty to the original consumer purchaser is: This product is free from defects in materials and workmanship for a period of one (1) year from the date of purchase by the original consumer purchaser. We will repair or replace, at our discretion, parts found to be defective due to materials or workmanship. This warranty is subject to the following limitations and exclusions:

- 1) Commercial Use This product is not intended for commercial use and carries no commercial warranty.
- 2) Limitation This warranty applies only to products which have been properly assembled, adjusted, and operated in accordance with the instructions contained within this manual. This warranty does not apply to any product of Swisher that has been subject to alteration, misuse, abuse, improper assembly or installation, shipping damage, or to normal wear of product.
- 3) Exclusions Excluded from this warranty are normal wear, normal adjustments, and normal maintenance.

In the event you have a claim under this warranty, you must return the product to an authorized service dealer. All transportation charges, damage, or loss incurred during transportation of parts submitted for replacement or repair under this warranty shall be borne by the purchaser. Should you have any questions concerning this warranty, please contact us toll-free at 1-800-222-8183. The model number, serial number, date of purchase, and the name of the authorized Swisher dealer from whom you purchased the product will be needed before any warranty claim can be processed.

THIS WARRANTY DOES NOT APPLY TO ANY INCIDENTAL OR CONSEQUENTIAL DAMAGES AND ANY IMPLIED WARRANTIES ARE LIMITED TO THE SAME TIME PERIODS STATED HEREIN FOR ALL EXPRESSED WARRANTIES. Some states do not allow the limitation of consequential damages or limitations on how long an implied warranty may last, so the above limitations or exclusions may not apply to you. This warranty gives you specific legal rights and you may have other rights, which vary from state-to-state. This is a limited warranty as defined by the Magnuson-Moss Act of 1975.



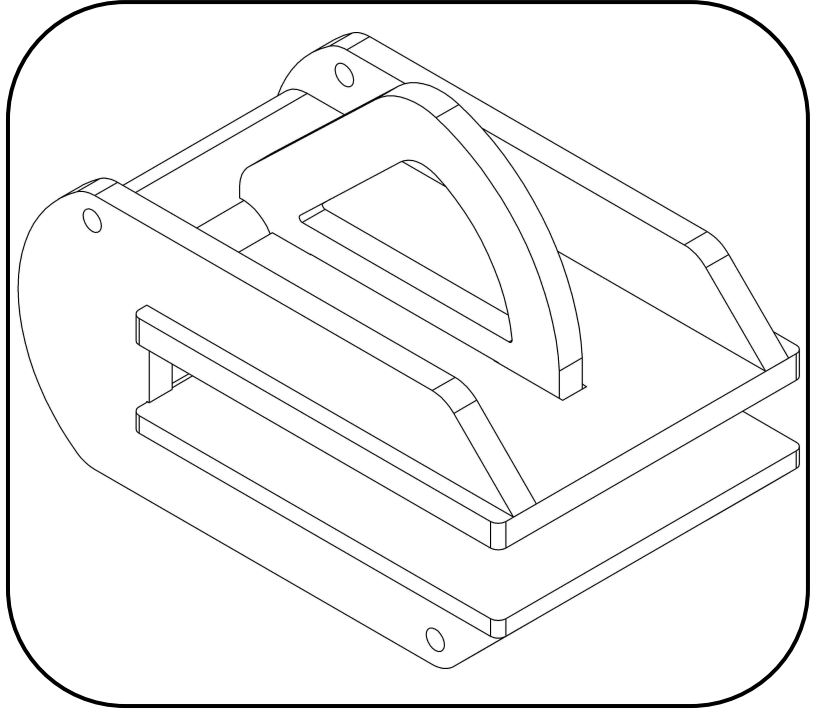
swisherinc.com

**OWNER'S
MANUAL**

19145

19450

Bucket Lift



TELEPHONE - 1-800-222-8183
FAX - 1-660-747-8650

SWISHER
1602 CORPORATE DRIVE
WARRENSBURG, MO 64093

swisherinc.com

SWISHER
1602 CORPORATE DRIVE, WARRENSBURG, MISSOURI 64093
PHONE 660-747-8183 FAX 660-747-8650

Made In The
USA