

# CHAMPION•ESSICK

## Window Evaporative Cooler

### Manual

#### Models

**WCM28**  
**N28W**

#### Serial #

*Número De Serie* \_\_\_\_\_



### Read Carefully All Of This Manual Before Installing The Unit

*Lea Con Cuidado Todo Este Manual Antes  
De Instalar La Unidad*

---

### Read And Save These Instructions

*Vea el español en el interior.*

#### Evaporative Cooling

With this unit being a fresh air system, you are not trapped with recirculating air that can become stale, laden with smoke and odors, as happens with refrigerated air conditioning systems. Instead, you are completely replacing the air every 2 to 4 minutes by either opening doors or windows or a combination of both to exhaust the air continually.

How much should you open your windows? To obtain the maximum cooling capacity of your cooler, you should open your windows until the air inside the house is nearly balanced with the air outside. As you open your windows you decrease the pressure buildup inside the home, and the cooler is able to output increasingly more air until the capacity of the cooler is reached.

One method to determine when the air is reasonably balanced is to place a piece of tissue paper up against the screen of the window furthest from the cooler and adjust the opening of the windows in the house until the tissue paper stays lightly on the screen. If the tissue plasters itself to the screen, open the windows more. If it falls, close the windows more.

#### Safety Rules

1. Read instructions carefully.
2. Unit must be in the **OFF POSITION** and **UNPLUGGED** from power receptacle when installing or performing any maintenance.
3. Your cooler will run on 120 volt AC., 60 Hz (cycle) current only.
4. Do Not operate any fan with a damaged cord or plug. Discard fan or return to an authorized service facility for examination and/or repair.
5. Do Not run cord under carpeting. Do Not cover cord with throw rugs, runners or similar coverings. Do Not route cord under furniture or appliances. Arrange cord away from traffic area and where it will not be tripped over.
6. Motor and pump are grounded and have an automatic thermal overload switch which will shut motor off when it overheats. The motor will restart automatically when it cools down.

**⚠WARNING: To reduce the risk of fire or electric shock, do not use this fan with any "solid-state fan speed control device."**

#### Operation

To eliminate delivery of hot air when starting cooler, turn on pump only for the first few minutes, then turn on the blower motor.

These coolers may be used without water for ventilation purposes. When outside air is cool (for example, at night) or when humidity is high the water pump can be turned off.

# Cooler Installation

## Installing House Legs

- **NOTE:** If installing unit without the use of the installation kit, omit these directions and those pertaining to Fig. 2.
- Remove two corner screws in bottom pan (A-Fig. 1).
- Place house leg bracket at corner of bottom pan, using two top holes in bracket (B-Fig. 1). Replace the two previously removed screws to hold house leg bracket in place (As shown by dotted house leg bracket).
- Mount other side in same manner.
- Refer to the instructions "Adjust house legs" below for adjusting house leg.

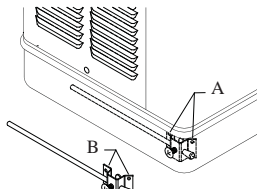


Fig. 1

## Mounting Cooler

**⚠CAUTION:** Make sure that the mounting surface is strong enough to support the operating weight of the cooler when in use. (For operating weight, see Specification Table.)

**⚠CAUTION:** Never plug in cooler until installation is complete and unit has been tested for rigidity.

- Lift out all removable louvered sides.

- **Screw chain hooks into window facing.** Position the two chain hooks above the neck of the cooler a distance equal to the width of the cooler apart (A-Fig. 2). Hook one hanger chain in each hook and then one "S" hook in the other end of each chain. **NOTE:** Chain hooks supplied with this mounting kit have wood screw threads for wood walls. Concrete, brick walls or concrete blocks require sufficiently strong wing nuts or anchors with mating hooks.

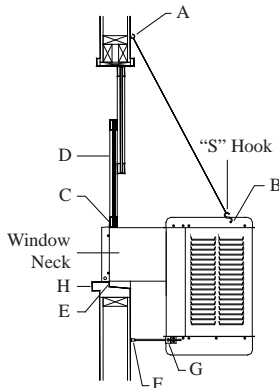


Fig. 2

- **Install window panel retainers.** Place two panel retainer strips onto bottom of neck flange and position to the width of the window. Cut the strips to fit if necessary. These strips hold the window fill-in panels (Fig. 3).
- **Position cooler in window.** Position neck of cooler so that the flange (E-Fig. 2) is snug against edge of sill (H-Fig. 2). With cooler in position, hook the "S" hooks into the holes of the top pan near the back of the cooler (B-Fig. 2).

- **Break fill-in panels to fit.** With cooler installed, as described above, measure for each window fill-in panel and score with sharp knife and straight edge guide to desired width. To break window fill-in panels, the panel should be laid over the edge of a straight flat surface at the point to

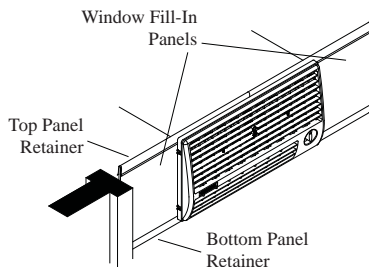


Fig. 3

be broken off. Apply pressure on the edge of the panel that extends over the edge of the surface and break off unwanted piece.

- **Install fill-in panels.** Place one window fill-in panel on each side of grill and into panel retainer strip at bottom of grill. Place the other panel retainer strips onto top of neck flange and fill-in panels. Be sure the panels are snug up against cooler neck.
- **Place window behind retainer strip.** Raise back of cooler so that the window (D-Fig. 2) may be brought down behind top of panel retainer strip (C-Fig. 2).
- **Level Cooler.** Adjust the chains to level the cooler.
- **Adjust house legs.** Pull out house legs so that the rubber bumpers rest against house siding (F-Fig. 2). Tighten screw in retaining collar (G-Fig. 2).

## Connecting Water

- **Install overflow assembly.** Place the nipple through the hole in the pan, with the rubber washer between the pan and the head of the drain nipple (Fig. 4). Screw the nut onto the nipple and draw up tight against bottom of pan. Insert the overflow pipe in the nipple to retain water. The overflow pipe may be removed to drain pan when necessary. A garden hose may be screwed onto the drain nipple to drain water away from your unit.

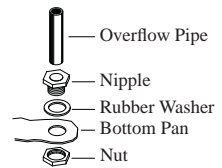


Fig. 4

- **Connect water supply line.** Install a sillcock and water valve on a faucet as shown by figure 5. Run 1/4 inch tubing from sillcock valve to cooler. Place the nut and ferrule on the tubing and tighten the nut until water tight.

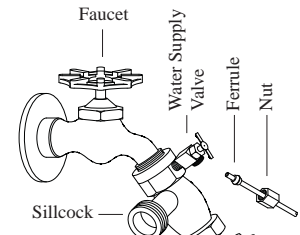


Fig. 5

- **Install float valve.** Install valve in the provided hole in the louvered side (Fig. 6) and attach water supply line.
- **Fill pan.** Allow water to fill to within 1" of top of pan and adjust float to maintain this water level. This can be accomplished by bending the float rod (Fig. 6).

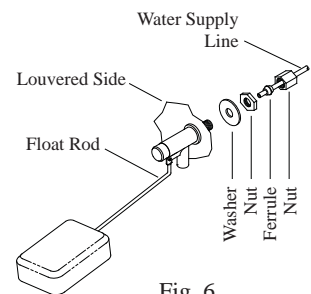


Fig. 6

## Maintenance

**⚠WARNING:** Before doing any maintenance be sure power is off and unit is unplugged. This is for your safety.

### Spring Start-Up

- **Change Pads.** Aspen pads should be replaced once or twice a season, depending upon the length of the season. At the beginning and at mid season a clean pad is more absorbent and efficient and will deliver substantially more cool air.

• **Clean pump.** Cleaning the pump is necessary once a year at start-up. For your safety, turn unit off and unplug from power receptacle. Remove the pump from the mount slot. Remove the base of the pump (Fig. 7). Clean the pump and turn the impeller to ensure free operation. Remove the pump spout and check for any blockage. After cleaning, reinstall the base onto the pump. Press firmly to make sure it is secure. Reattach the pump to the mount in the cooler using the plastic retainer to ensure that the pump will not overturn. Do not forget to replace the spout and water delivery tube onto the pump outlet.

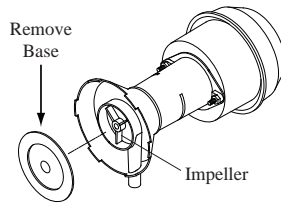


Fig. 7

• **Oil motor.** The cooler motor in this unit should be oiled with a few drops of non-detergent 20/30 weight oil once each year. The oil ports are located on each side of the motor (Fig. 8). Motors that have no oil ports are lifetime oiled at the factory and require no further oiling for the life of the unit.

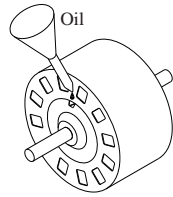


Fig. 8

**CAUTION:** Do not over oil. Over oiling can cause motor burn out, due to excessive oil getting into motor winding.

### Winter Shut Down

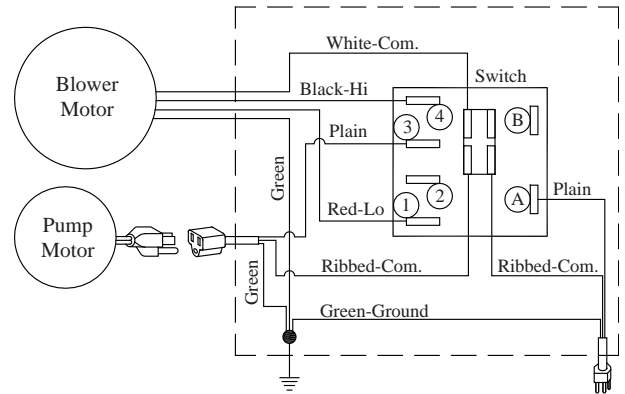
• **Drain water.** Always drain all of the water out of the cooler and water supply line when not in use for prolonged periods, and particularly at the end of the season. Keep the water line disconnected from both the unit and water supply so that it does not freeze.

• **Cover unit.** To protect the life of the finish, a cover for the unit is suggested in extended periods of non use.

• **Unplug unit from power supply during extended periods of non use.**

By following the operating, installation, and maintenance suggestions as outlined, you can get many years of efficient and satisfactory service from your cooler. In the event additional information is desired, your dealer will be more than glad to assist you in every possible way.

### Wiring Diagram



## Troubleshooting Guide

<u>Problem</u>	<u>Possible Cause</u>	<u>Remedy</u>
Failure to start or no air delivery	1. No electrical power to unit	1. Check power
	• Fuse blown	• Replace fuse
	• Circuit breaker tripped	• Reset breaker
Inadequate air delivery with cooler running	• Electric cord damage	• Replace cord
	2. Motor overheated	2. Determine cause of overheating
	• Bearings dry	• Oil bearings
Inadequate cooling	3. Motor locked	3. Replace motor
	1. Insufficient air exhaust	1. Open windows or doors to increase air flow
	2. Pads plugged	2. Replace pads
Inadequate cooling	1. Inadequate exhaust in house	1. Open windows or doors to increase air flow
	2. Pads not wet	2. Check water distribution system
	• Pads plugged	• Replace pads
	• Open spots in pads	• Repack pads
	• Trough holes or Distributor system clogged	• Clean
	• Pump not working properly	• Replace or clean pump (Unplug unit)

<u>Problem</u>	<u>Possible Cause</u>	<u>Remedy</u>
Motor cycles on and off	1. Low voltage	1. Check voltage
	2. Motor bearings dry	2. Oil bearings
	3. Wheel rubbing blower housing	3. Inspect and realign (Unplug unit)
	4. Faulty motor	4. Replace motor
Noisy	1. Motor bearings dry	1. Oil bearings
	2. Wheel rubbing blower housing	2. Inspect and realign (Unplug unit)
	3. Loose parts	3. Tighten loose parts
Excessive humidity in house	1. Inadequate exhaust	1. Open doors or windows
Musty or unpleasant odor	1. Stale or stagnate water in cooler	1. Drain pan and clean pads
	2. Pads not wetting properly	2. Check water distribution system
	• Trough holes clogged	• Clean
	• Pump not wetting properly	• Replace or clean pump (Unplug unit)
	• Insufficient water flow over pads	• Clean distribution system and trough openings

## Replacement Parts List / Lista De Piezas De Recambio

When ordering parts, please be sure to furnish the following information on all orders. Failure to do so may delay your order. /  
 Al pedir piezas, incluya toda la información siguiente con su pedido. El no proporcionar toda esta información resultará en una demora.

1. Cooler serial number / Número de serie de la unidad
2. Description and part number / Descripción y número de pieza
3. Cooler model number / Modelo de la unidad
4. Date of purchase / Fecha de compra

No. N°	<u>Description / Descripción</u>	<u>N28W</u> <u>WCM 28</u>
1.	Top Pan / Tapa De La Caja -----	222901-002
2.	Bottom Pan / Base De La Caja -----	222902-002
3.	Louvered Back Assembly / Montaje De Reja Posterior -----	324102-203
4.	Aspen Pads, Back / Esponjas De Paja, Posterior-----	110088
5.	Pad Retainer, Back / Soporte Para La Esponja, Posterior-----	3PW-2 (2)
6.	Louvered Side, Right / Reja Lateral, Derecha -----	324102-102
7.	Louvered Side, Left / Reja Lateral, Izquierda-----	324102-202
8.	Aspen Pads, Side / Esponjas De Paja, Lateral-----	110087 (2)
9.	Pad Retainer, Side / Soporte Para La Esponja, Lateral -----	3PW-1 (4)
10.	Blower Housing / Caja De La Rueda-----	324102-005
11.	Blower Wheel, Right / Rueda Derecha-----	110748
12.	Blower Wheel, Left / Rueda Izquierda -----	110747
13.	Motor / Motor-----	110441-C*
14.	Motor Mounts / Monturas Del Motor-----	216002-001 (2)
15.	Front Panel / Panel De Frente -----	224102-001
16.	Tunnel / Túnel (Cuello De La Unidad)-----	324102-006
17.	Pump Mount / Montura De La Bomba -----	218001-032
18.	Pump Receptacle Cord / Cable Con Tomacorriente Para La Bomba -----	110395
19.	Pump Retainer / Sujetador De La Bomba-----	110714
20.	Pump / Bomba -----	110428
22.	Tube, Water Delivery / Tubo De Agua-----	310716
24.	Water Distributor Assembly / Sistema Del Distribuidor De Agua-----	3D-1
25.	Over Flow Assembly / Montaje De Desagüe-----	3OA-1
26.	Grill Assembly / Rejilla Completa -----	110843
27.	Switch Cover / Cubierta Del Interruptor-----	222006-003
28.	Switch / Interruptor -----	110425
29.	Knob, Switch / Perilla Del Interruptor-----	110839-006
30.	Outer Electrical Cord / Cable Eléctrico Exterior -----	110394
31.	Float Valve / Flotador De Agua -----	FL-C
32.	Window Fill-In Panels / Paneles De Relleno Para La Ventana-----	110604 (2)
33.	Retainers, Window Panels / Guarda De Retención Para Los Paneles -----	110599 (4)
34.	House Leg Assembly / Equipo De Collar De La Pata -----	3HL-2 (2)
35.	House Leg / Pata -----	310811 (2)

\* See electrical specification table. / Ve a la tabla de especificaciones eléctricas.  
 NOTE: Standard hardware items may be purchased from your local hardware store. /  
 NOTA: Artículos de uso corriente pueden comprarse en la ferretería de su localidad.

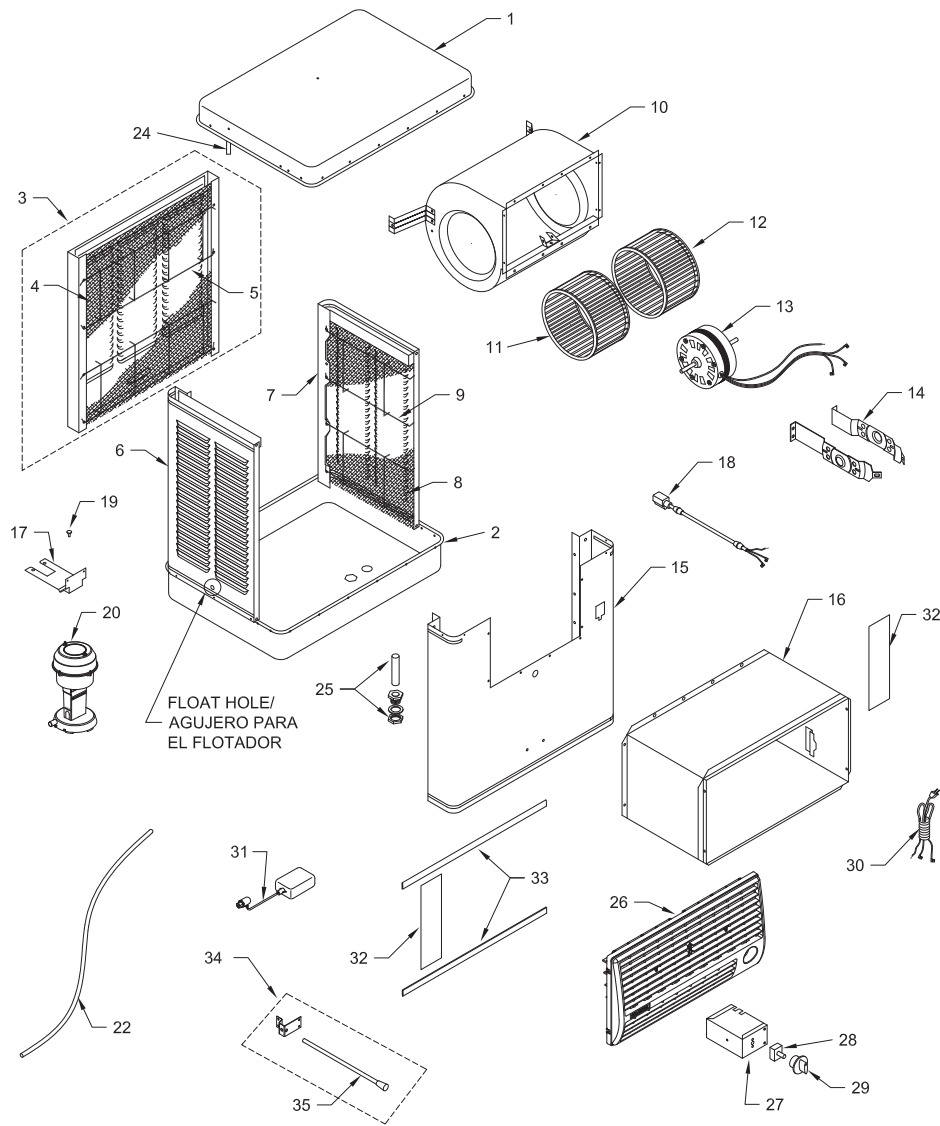
### General Specifications / Especificaciones Generales

Model No. Modelo	Weight (lbs.) Peso (libras)		Cabinet Dimensions (in.) Dimensiones De La Caja (pulgadas)			Window Opening Req'd (in.) Abertura Requerida (pulgadas)	
	Dry Seco	Operating Lleno	Height Altura	Width Anchura	Depth Profundidad	Width Anchura	Height Altura
WCM28, N28W	65	105	27	24	17	21 1/4	11

### Electrical Specifications / Especificaciones Eléctricas

Model No. Modelo	Volts Voltios	Motor Speed Velocidad del Motor	Motor Amperage Amperaje Del Motor	Pump Amperage Amperaje De La Bomba
WCM28, N28W	115	2	4.0	0.7

## Parts Drawing / Dibujo De Piezas



Register your product online at [www.championcooler.com/eac/onlineregistration-eac.htm](http://www.championcooler.com/eac/onlineregistration-eac.htm)

### Limited Warranty

This warranty is extended to the original purchaser of an evaporative cooler installed and used under normal conditions. It does not cover damages incurred through accident, neglect, or abuse by the owner. We do not authorize any person or representative to assume for us any other or different liability in connection with this product.

#### Terms And Conditions Of The Warranty

For Eight Years from date of purchase, we will replace the original base assembly if water leakage should occur due to rust out.

For One Year from date of purchase, we will replace any original component provided by Champion Cooler which fails due to any defect in material or factory workmanship only.

#### Exclusions From The Warranty

We are not responsible for replacement of cooler pads. These are disposable components and should be replaced periodically. We are not responsible for any incidental or consequential damage resulting from any malfunction.

We are not responsible for any damage received from the use of water softeners, chemicals, descale material, plastic wrap, or if a motor of a higher horsepower than what is shown on the serial plate is used in the unit.

We are not responsible for the cost of service calls to diagnose cause of trouble, or labor charge to repair and/or replace parts.

#### How To Obtain Service Under This Warranty

Contact the Dealer where you purchased the evaporative cooler. If for any reason you are not satisfied with the response from the dealer, contact the Customer Service Department: Champion Cooler, 5800 Murray Street, Little Rock, Arkansas 72209. 1-800-643-8341. [info@championcooler.com](mailto:info@championcooler.com)

**This limited warranty applies to original purchaser only.**

## Lea Y Conserve Estas Instrucciones

# Reglas De Seguridad

1. Lea las instrucciones con cuidado.
2. La unidad debe estar **APAGADA** y **DESCONECTADA** de la electricidad cuando se instale o haga cualquier mantenimiento.
3. Su enfriador funciona sólo con corriente alterna de 120 voltios, 60 Hz. (ciclos).
4. No haga a funcionar ningún ventilador con el cable o el enchufe dañado. Deseche el ventilador o llévalo a una instalación de servicio autorizada para revisarlo y/o repararlo.
5. No pase el cable debajo de alfombras. No cubra el cable con tapetes, alfombras o coberturas similares. No pase el cable debajo de los muebles o los aparatos. Coloque el cable lejos del área de tráfico y donde no se puede tropezar con él.
6. El motor y la bomba están conectados con la tierra, y se apagarán automáticamente en caso de sobrecalentamiento. Los motores volverán a funcionar cuando se enfrían.

**⚠️ADVERTENCIA:** Para reducir el riesgo de incendio o toques eléctricos, no use este ventilador con ningún “dispositivo de estado sólido para controlar la velocidad del ventilador.”

## Enfriamiento Por Evaporación

Este enfriador evaporativo funciona circulando el aire fresco; Usted no tiene aire recirculado que esté viciado, cargado de humo y olores como ocurre con los sistemas de aire acondicionado a base de refrigeración. En cambio, se reemplaza el aire completamente cada 2 a 4 minutos, abriendo las puertas o las ventanas o una combinación de ambas para agotar el aire continuamente.

¿Cuánta abertura requiere su unidad? Para obtener la máxima capacidad de enfriamiento del enfriador, abra las ventanas hasta que el aire interior esté bastante equilibrado con el aire exterior. La más abertura que tenga, la menos acumulación de presión del aire interior, y más la producción del aire del enfriador será hasta llegar a la capacidad de la unidad.

Hay un método para saber cuando el aire está bastante equilibrado. Ponga un papel de seda contra la pantalla de la ventana a lo más lejos del enfriador. Ajuste la abertura de las ventanas hasta que el papel de seda queda ligeramente contra la pantalla. Abra más las ventanas si el papel se queda contra la pantalla con fuerza. Cierre más las ventanas si el papel se caiga.

## Operación

Para que no salga aire caliente al principio, prenda sólo la bomba durante unos cuantos minutos; luego prenda también el motor del ventilador.

Su enfriador puede ser utilizada sin agua para proporcionar ventilación solamente. Cuando hace fresco (por ejemplo, de noche) o cuando la humedad es alta, la bomba de agua puede ser apagada.

## Instalación

### Instalar Las Patas

- **NOTA:** Si instale la unidad sin el uso del equipo de instalación, omita las direcciones siguientes y las de la figura 2.
- Quite los tornillos de la esquina de la bandeja (A-fig. 1).

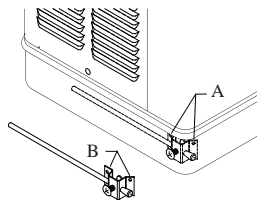


Fig. 1

- Coloque la ménsula en la esquina de la bandeja usando los dos agujeros de la parte superior de la ménsula (B-fig. 1) y los dos tornillos que antes había quitado.
- Coloque la ménsula del otro lado de la misma manera.
- Ve a la instrucción abajo de “Ajuste las patas” para ajustar las patas.

### Instalar El Enfriador

**⚠️PRECAUCION:** La superficie en que ha de colocarse el enfriador deberá aguantar el peso completo de la unidad cuando ésta está en funcionamiento. (Para saber este peso, vea la tabla de especificaciones.)

**⚠️PRECAUCION:** No conecte el enfriador hasta que la instalación esté completa y se haya comprobado la estabilidad del mismo.

- Quite todas las rejillas de los costados.

- Fije los ganchos en la pared.

Ponga los dos ganchos para la cadena arriba del cuello del enfriador, separados por una distancia equivalente al ancho de la unidad (A-fig. 2). Enganche una cadena en cada gancho y luego enganche un gancho “S” en cada cadena. **NOTA:** Los ganchos que vienen con ésta unidad tienen rosca de tornillo para madera y son para uso en paredes de madera. Las paredes de concreto o ladrillo requieren el uso de tuercas mariposas de suficiente fuerza o anclas con ganchos de acoplamiento.

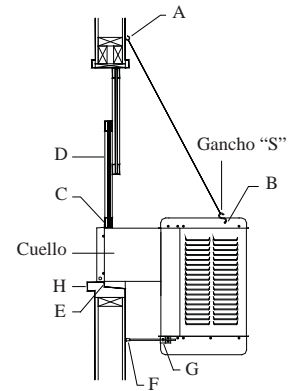


Fig. 2

- Instale las guardas de retención.

Coloque dos guardas de retención en la parte inferior de la pestaña del cuello y ajústelas al ancho de la ventana. Corte las guardas si es necesario. Éstas sujetan a los paneles de relleno (fig. 3).

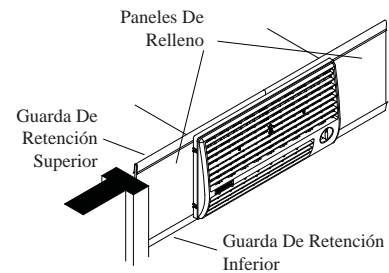


Fig. 3

- Coloque el enfriador en la ventana. Coloque el cuello del enfriador dentro de la ventana para que la parte inferior de la pestaña del cuello se asiente en la repisa de la ventana y la pestaña (E-fig. 2) se ajuste contra el borde de la repisa (H-fig. 2). Con el enfriador situado en la ventana, enganche los ganchos “S” en los agujeros encontrados en la esquina trasera superior de la unidad (B-fig. 2).

- Rompa los paneles de relleno. Con el enfriador instalado según el método de arriba, mida el ancho requerido para cada panel. Marque el panel con un cuchillo filoso y una regla al ancho correcto. Apoye el panel en el borde de una superficie lisa y plana y presione sobre la parte del panel que se extienda sobre el borde de la superficie, para que se desprenda la parte sobrante.

- Instale los paneles de relleno. Coloque un panel de relleno a cada lado de la rejilla y dentro de la banda de retención situada en la parte inferior de la rejilla. Coloque las otras guardas de retención en la parte superior de la pestaña del cuello y los paneles de relleno.

Compruebe que los paneles queden bien ajustados contra el cuello. (Véase Fig. 3).

- **Coloque la ventana detrás de la guarda de retención.** Levante la parte trasera del enfriador para que la ventana (D-fig. 2) pueda bajarse y quedar detrás de la parte superior de la guarda de retención (C-fig. 2).
- **Nivele el enfriador.** Ajuste las cadenas hasta que el enfriador esté nivel.
- **Ajuste las patas.** Saque las patas (F-fig. 2) para que los toques de hule descansen contra el costado de la pared. Apriete el tornillo del collar (G-fig. 2).

## Conectar El Agua

- **Instale el montaje de desagüe.** Pase la boquilla roscada por el agujero de la bandeja, colocando la arandela de goma entre la bandeja y la cabeza de la boquilla (fig. 4). Coloque la tuerca en la boquilla y atorníllela hasta que quede apretada contra la parte inferior de la bandeja. Inserte el tubo de desagüe en la boquilla para retener el agua. El tubo de desagüe se puede quitar para desaguar el agua de la bandeja cuando sea necesario. Se puede conectar una manguera de jardín a la boquilla para desaguar el agua hacia otra parte.

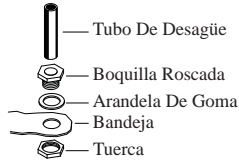


Fig. 4

- **Conecte el tubo de abastecimiento de agua.** Instale la llave de paso y la válvula de agua en el grifo de agua según indica la figura 5. Coloque la tuerca y la férula en el tubo y apriete bien la tuerca para impedir que gotee el agua.

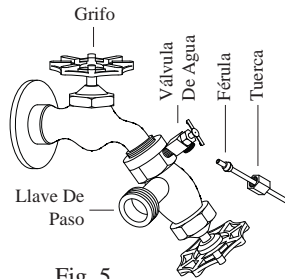


Fig. 5

- **Instale la válvula del flotador.** Instale la válvula en el agujero que se encuentra en la reja lateral (fig. 6) y conecte el tubo de agua.

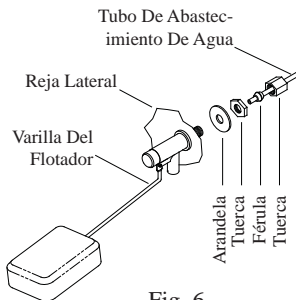


Fig. 6

- **Llene la bandeja con agua.** Permita que se llene la bandeja con agua hasta una altura de una pulgada por debajo del borde superior de la bandeja y ajuste el flotador para que mantenga este nivel. Esto se puede lograr torciendo la varilla para arriba o para abajo (fig. 6).

## Mantenimiento

**⚠️ ADVERTENCIA:** Antes de hacer cualquier mantenimiento, compruebe que la unidad esté apagada y desconectada de la electricidad. Esto es por su seguridad.

### Puesta En Marcha En La Primavera

- **Cambie las esponjas.** Debe cambiar las esponjas de paja una o dos veces durante cada temporada, según la duración de ésta. Al principio y a mediados de la temporada, una esponja limpia es más absorbente y eficiente y producirá un mayor volumen de aire frío.

- **Limpie la bomba.** Es necesario limpiar la bomba una vez al principio de cada año. Por su propia seguridad, apague la unidad y desconéctela de la electricidad. Quite el sujetador de plástico de la montura y quite la bomba, deslizándola hacia usted. Quite la base de la bomba (véase fig. 7). Limpie la bomba. Dé la vuelta a la hélice para verificar que se mueve libremente. Quite el pico de la bomba y vea si está obstruido. Después de limpiar, reinstale la base en la bomba. Presione firmemente para asegurarse de que es segura. Vuelva a colocar la bomba en la unidad y fíjela en su montura con el sujetador de plástico. Esto impedirá que se caiga la bomba al agua, lo que dañaría el motor. No se olvide de volver a conectar el tubo de agua a la bomba.

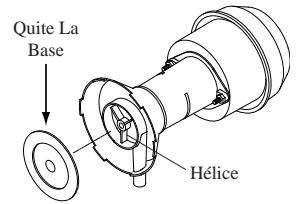


Fig. 7

- **Lubrique el motor.** El motor del ventilador debe ser lubricado usando unas gotas de un aceite no detergente de densidad 20/30 una vez al año. Las aberturas para aceite están situadas en cada lado del motor (fig. 8). Motores que no tengan una abertura para aceite son lubricados en la fábrica de por vida y no requieren nunca ninguna lubricación.

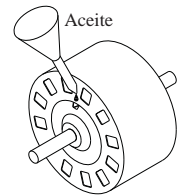


Fig. 8

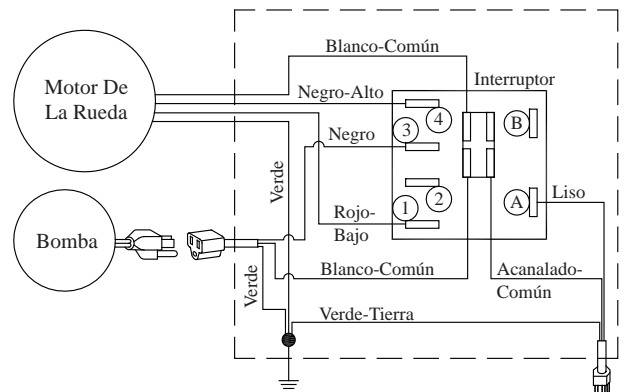
**⚠️ PRECAUCION:** No lubrique demás. El agregar demasiado aceite puede ocasionar que se quemé el motor, a causa del aceite entrando al interior del motor.

## Preparar La Unidad Para El Invierno

- **Drene el agua.** Drene siempre toda el agua del enfriador y del tubo de abastecimiento de agua cuando no use el enfriador durante períodos prolongados, especialmente al fin de la temporada. El tubo debe quedarse desconectado del enfriador y del abastecimiento de agua para que no lo congele.
- **Cubra la unidad.** Para proteger y alargar la vida útil del acabado, se sugiere cubrir el enfriador durante períodos largos cuando no sea utilizado.
- **Desconecte la unidad de la electricidad cuando no sea utilizada durante períodos extendidos.**

Si usted sigue estas sugerencias en cuanto a instalación, operación y mantenimiento, podrá disfrutar de muchos años de servicio eficiente y satisfactorio de este enfriador. Si desea más información, su concesionario tendrá mucho gusto en ayudarlo con respecto a cualquier duda o pregunta.

## Esquema Del Cableado



## La Localización De Averías

<b>Problema</b>	<b>Causa Posible</b>	<b>Remedio</b>
No arranca o no sale aire	<ol style="list-style-type: none"> <li>No llega corriente                             <ul style="list-style-type: none"> <li>Fusible fundido</li> <li>Cortacircuito desactivado</li> <li>Cable eléctrico dañado</li> </ul> </li> <li>Motor recalentado                             <ul style="list-style-type: none"> <li>Cojinetes están secos</li> </ul> </li> <li>Motor parado</li> </ol>	<ol style="list-style-type: none"> <li>Revise la corriente                             <ul style="list-style-type: none"> <li>Cambie el fusible</li> <li>Restablecer el cortacircuito</li> <li>Reemplace el cable</li> </ul> </li> <li>Determine la causa                             <ul style="list-style-type: none"> <li>Lubrique los cojinetes</li> </ul> </li> <li>Cambie el motor</li> </ol>
Sale poco aire cuando la unidad está funcionando	<ol style="list-style-type: none"> <li>Insuficiente abertura para que salga el aire</li> <li>Esponjas obstruidas</li> </ol>	<ol style="list-style-type: none"> <li>Abra ventanas o puertas para aumentar flujo de aire</li> <li>Cambie las esponjas</li> </ol>
Enfriamiento inadecuado	<ol style="list-style-type: none"> <li>Insuficiente abertura para que salga aire</li> <li>Las esponjas no están mojadas                             <ul style="list-style-type: none"> <li>Esponjas obstruidas</li> <li>Esponjas agujereadas</li> </ul> </li> <li>El sistema de distribución o los agujeros de los canales obstruidos</li> <li>Bomba no funciona</li> </ol>	<ol style="list-style-type: none"> <li>Abra más las ventanas o puertas</li> <li>Revise la distribución de agua                             <ul style="list-style-type: none"> <li>Cambie las esponjas</li> <li>Acomode la paja en la esponja</li> <li>Límpielos</li> </ul> </li> <li>Cámbiela o límpiela (Desconecte la unidad)</li> </ol>

<b>Problema</b>	<b>Causa Posible</b>	<b>Remedio</b>
Motor se apaga y se enciende	<ol style="list-style-type: none"> <li>Voltaje deficiente</li> <li>Cojinetes del motor están secos</li> <li>Rueda roza contra caja de la rueda</li> <li>Motor defectuoso</li> </ol>	<ol style="list-style-type: none"> <li>Compruebe el voltaje</li> <li>Lubrique los cojinetes</li> <li>Inspeccione y alinee (Desconecte la unidad)</li> <li>Cámbielo</li> </ol>
Hace Ruido	<ol style="list-style-type: none"> <li>Cojinetes del motor están secos</li> <li>Rueda roza contra caja de la rueda</li> <li>Partes sueltas</li> </ol>	<ol style="list-style-type: none"> <li>Lubrique los cojinetes</li> <li>Inspeccione y alinee (Desconecte la unidad)</li> <li>Apriételas</li> </ol>
Demasiada humedad en la casa	<ol style="list-style-type: none"> <li>Insuficiente salida de aire</li> </ol>	<ol style="list-style-type: none"> <li>Abra puertas o ventanas</li> </ol>
Olor a enrroado, olor desagradable	<ol style="list-style-type: none"> <li>Agua estancado en la unidad</li> <li>Esponjas secas                             <ul style="list-style-type: none"> <li>Agujeros del canal tapados</li> <li>Bomba no trabaja adecuada</li> <li>Insuficiente flujo de agua</li> </ul> </li> </ol>	<ol style="list-style-type: none"> <li>Desagüe y limpie las esponjas</li> <li>Revise la distribución de agua                             <ul style="list-style-type: none"> <li>Límpielos</li> <li>Reemplace o limpie la bomba (Desconecte la unidad)</li> <li>Limpie el sistema de distribución y agujeros de los canales</li> </ul> </li> </ol>

Registre su producto en línea a: [www.championcooler.com/eac/onlineregistration-eac.htm](http://www.championcooler.com/eac/onlineregistration-eac.htm)

### Garantía Limitada

La presente garantía se extiende al comprador original de un enfriador evaporativo instalado y utilizado bajo condiciones normales. No cubre daños ocurridos por accidente, descuido o abuso por parte del propietario. No autorizamos que ninguna otra persona o representante asuma por nosotros cualquier otra o diferente responsabilidad en relación con este producto.

#### Términos Y Condiciones De La Garantía

Durante Ocho Años a partir de la fecha de compra, nosotros reemplazaremos la base original del enfriador en caso de que goteara agua debido a oxidación.

Durante Un Año a partir de la fecha de compra, reemplazaremos cualquier componente original proporcionado por Champion Cooler que falle debido a cualquier defecto de material o mano de obra en la fábrica solamente.

#### Exclusiones De La Garantía

No somos responsables por reemplazar las esponjas del enfriador. Estas son componentes desechables y deben cambiarse periódicamente. No somos responsables por daños que resulten a consecuencia de alguna falla de funcionamiento.

No somos responsables por cualquier daño producido por el uso de suavizadores de agua, productos químicos, materiales desincrustantes, envolturas de plástico, o si se usa en esta unidad un motor de mayor potencia de la que se indica en la placa de número de serie.

No somos responsables por el costo del servicio para diagnosticar la causa del problema ni por la mano de obra necesaria para reparar y/o reemplazar piezas.

#### Como Obtener Servicio Bajo Esta Garantía

Póngase en contacto con el Concesionario que le vendió el enfriador. Si por alguna razón usted no queda satisfecho con la respuesta por parte del Concesionario, comuníquese con el departamento de servicio al cliente: Champion Cooler, 5800 Murray Street, Little Rock, Arkansas 72209. 1-800-643-8341. [info@championcooler.com](mailto:info@championcooler.com)

**Esta garantía limitada se aplica al comprador original solamente.**