

Heath[®]Zenith

Solar Powered Motion Sensor Light

Model 8434

*Illustrations may vary from actual unit.

FEATURES

- LED solar powered light.
- Light operates automatically at night only.
- No wiring required.
- Wall mount only.

INITIAL BATTERY CHARGE

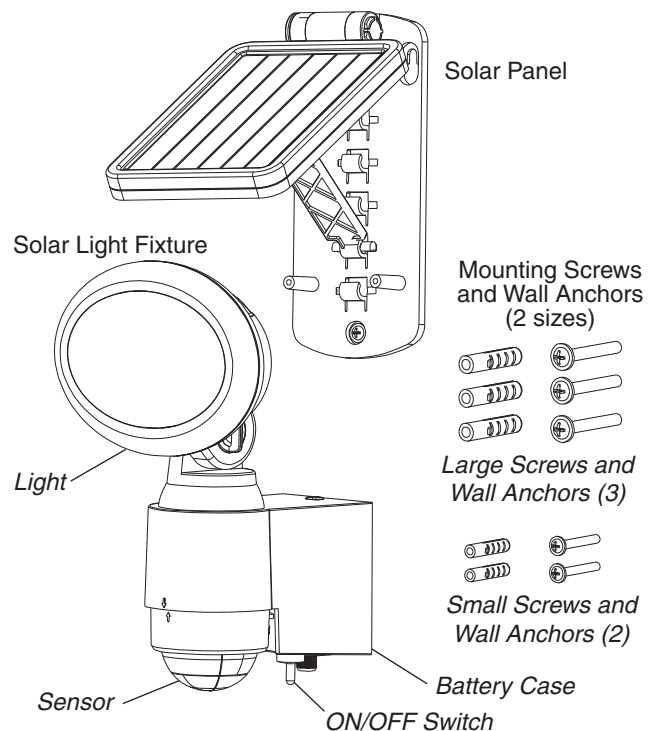
The solar panel requires full, direct sunlight to charge the battery. Clouds, rain, snow, and other weather conditions may not allow the solar panel to completely recharge the battery. Other obstructions such as buildings or trees may block the sun as well.

When installing the solar panel, make sure it is aimed as described below with a minimum amount of obstructions. If possible, mount the panel facing toward the southern sky.

- **PRIOR TO USE**, the battery will require 3 to 7 days of full sun to completely charge with the **ON-OFF switch in the OFF position**. Plug the solar panel cable into the connector extending from the bottom of the battery case. If possible, aim the solar panel toward the south and tilt it approximately 50° from horizontal (see illustration on next page). If the solar panel cannot be aimed toward the south, then tilt the panel approximately 30° if possible.
- Actual operating time will vary depending upon how frequently the light is turned on by the motion sensor and amount of sunlight collected.
- Solar lighting is not designed to equal standard 120V lighting. The amount of light output is reduced to allow the sun time to fully recharge the battery between lighting cycles.

UNPACKING

Be sure to remove all contents from packaging and verify all items are present before assembling this light fixture. This package includes the following items:



WHERE TO MOUNT YOUR SOLAR POWERED MOTION SENSOR LIGHT

The most important thing to remember for the operation of your solar powered motion sensing light is that it works from the power received from direct sunlight. The more direct sunlight the solar panel receives in a day, the longer the light will operate.

Solar Light Fixture:

The main unit contains the 2x 0.5W LEDs, motion sensor, and battery (3 x Ni-MH Rechargeable battery, 1.2V 300mAh). When deciding where to mount this unit, keep in mind that the motion sensor that activates the light has a "field of vision" of min. 33 feet (10 meters) in front of the light and about 110° detection angle at a surrounding air temperature of 77° F (25 °C).

Solar Panel:

The solar panel converts the sun's energy into electricity, thus charging the battery stored in the solar light fixture. The solar panel requires direct sunlight falling onto the face of the solar panel for as long as possible over the course of the day.

When choosing the location for the solar panel, make sure it is aimed toward the south and is tilted to a suitable angle to allow as much direct sunlight to fall upon it as possible. Make sure there is a minimum amount of obstructions between the solar panel and the sun.

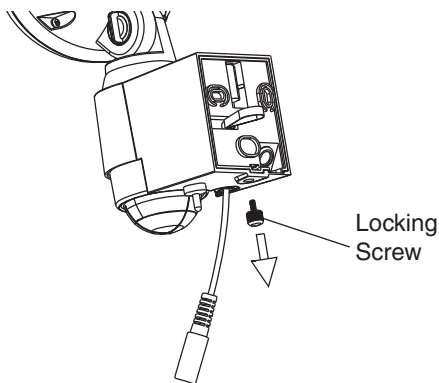
Also, make sure your solar panel location is not too far away from the solar light fixture for the wires to reach and connect.

INSTALLATION

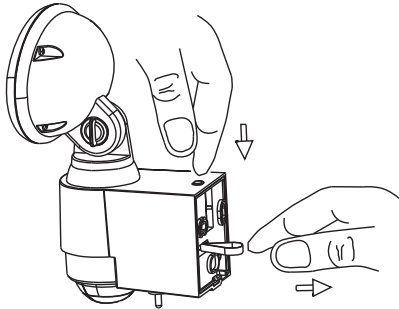
Mounting the Solar Light Fixture:

For best performance, mount the solar light fixture about 8 feet (2.4 m) above the ground.

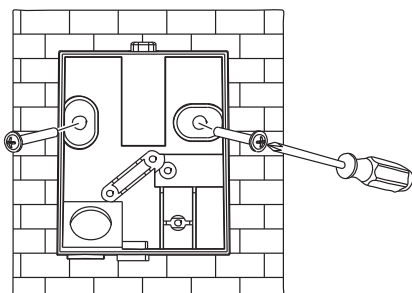
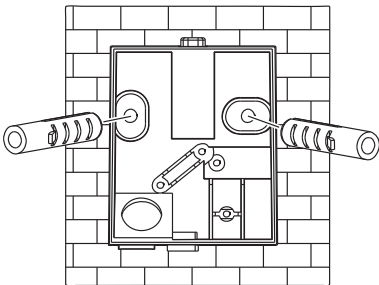
1. Remove the locking screw from the bottom rear of the battery case.



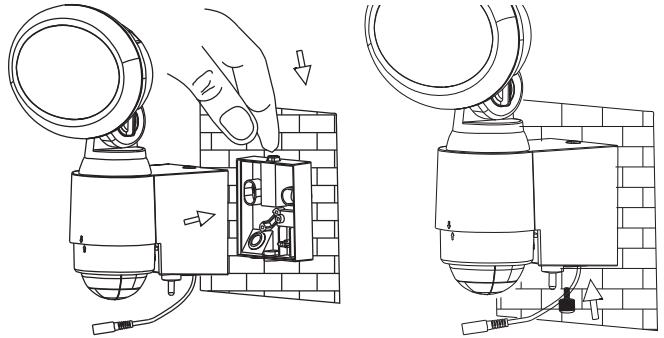
2. Press the release button on the top rear of the battery case to release the wall mounting plate from the back of the battery case. Pull the black strap tab on wall mounting plate to remove from battery case.



3. Use the two small screws and anchors to mount the wall plate to a solid surface. Make sure there is enough vertical space above the mounting plate to allow the light fixture to be mounted.

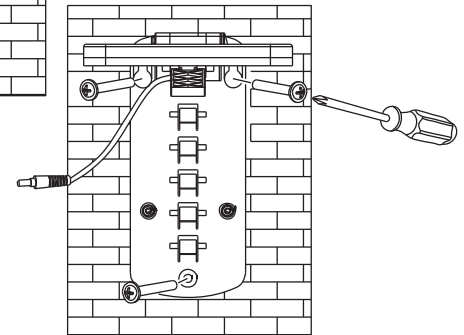
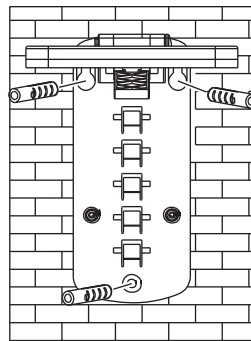


4. Place the rear of the battery case over the wall mounting plate and press the release button on the wall plate to snap the battery case onto the wall plate.
5. Replace the locking screw into the bottom rear of the battery case.

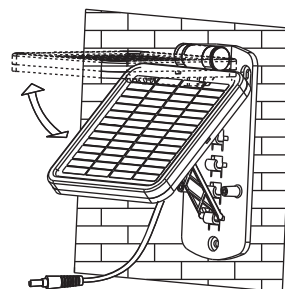


Mounting the Solar Panel:

1. Use the three larger screws and anchors to mount the solar panel to a solid surface. **IMPORTANT: Caulk around the base and on top of the screw heads after installation.**

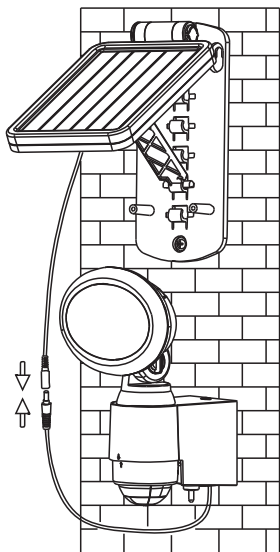


2. Adjust the angle of the solar panel by moving the adjustment support to the appropriate hook on the mounting bracket. Remember, the solar panel must receive as much direct sunlight over the course of the day as possible. Keep in mind that shadows may block the sunlight from reaching the solar panel during the day.



- Carefully route the solar panel cable to the light fixture. Plug the solar panel cable into the connector extending from the bottom of the battery case.

IMPORTANT: Turn the ON/OFF switch to the OFF position and allow the battery to charge with 3 to 7 days of full sunshine before testing.



FINAL ADJUSTMENT AND START-UP

After 3 to 7 days of charging under full sunshine, it is time to do final adjustments and start using the light.

ON/OFF Switch:

On the bottom of the battery case there is a toggle switch with 2 positions: OFF and ON.

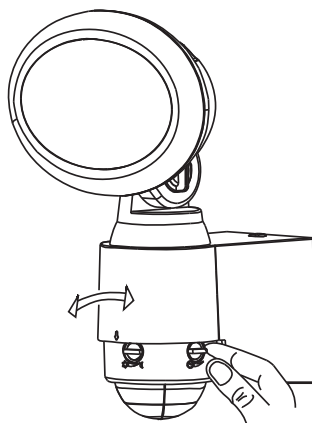
OFF Position – Used for shipping or extended periods of non-use. Also used for the initial 3-to-7-day charge before final adjustment and first use.

ON Position – Used for normal operation of the light.

Adjusting Motion Sensor:

After the initial 3-to-7-day charge, toggle the ON/OFF switch to the ON position.

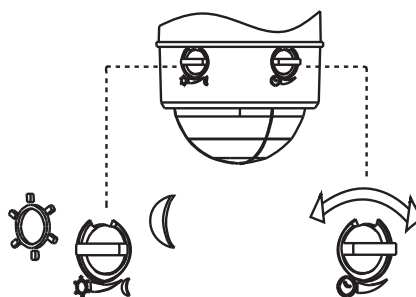
On the motion sensor there are two adjusting knobs: TIME and LUX. To access the TIME and LUX adjusting knobs, rotate the motion sensor dome to the right to expose the adjustment knobs.



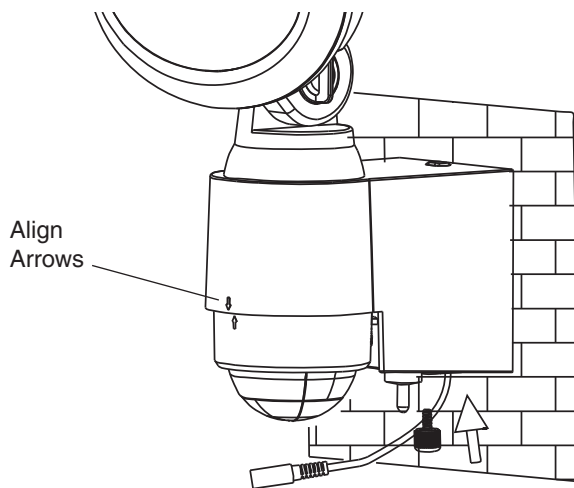
TIME — Duration Time: The duration time will adjust from 10 seconds to 1 minute, depending on how long you wish the unit to stay on after motion is detected. Note: Once the light has been triggered, any additional motion detection will start the timed period again from the beginning. Turn the TIME dial counterclockwise to increase the duration. Turn the TIME dial clockwise to decrease the duration.

LUX — Lux Control Level: The Lux control module has a built-in sensing device (photocell) that detects daylight and darkness. The (☀) position indicates that the motion sensor will activate the light during the day and night. The (☾) position indicates that the motion sensor will activate the light only at night. You can set the unit to operate at the desired surrounding light level by adjusting the LUX knob.

Note: If the unit turns on when it is too light outside, turn the control toward the (☾) position. However, if the light is not activating during nighttime because of a streetlight or bright house lights, turn this control toward the (☀) position.



After adjusting the TIME and LUX settings, rotate the motion sensor dome to the left and align the arrows on the lamp housing and the motion sensor dome.



Adjusting Lamp Housing:

Aim the lamp to face the area you wish to illuminate.

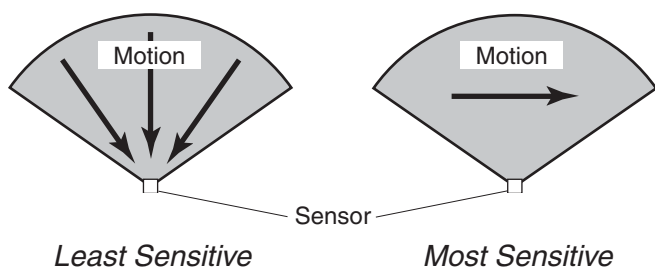
Walking Test:

The sensor detects “motion” by the movement of heat (body heat) across the coverage area. However, following are examples of objects that also produce heat and can cause the sensor to false trigger:

- Pools of Water
- Air Conditioners
- Dryer Vents
- Fenced-In Animals
- Heating Vents
- Automobile Traffic

If you suspect that a heat source of this type is falsely triggering the sensor, try aiming the sensor away from the heat source in question.

Note: The detector is less sensitive to motion directly towards it and more sensitive to across motion.



Aim the motion sensor toward the area where you want to detect motion and set the TIME knob to the minimum (-) position and the LUX knob to the “light” (☼) position. Test the motion sensor coverage of the area by walking slowly within the desired area. When the light comes on, stop and wait for it to turn off. Continue this process until the motion sensor can no longer pick up the movement. This process will establish the outside edges of the detection area. Adjust the motion sensor as needed to establish the desired coverage area.

GENERAL ELECTRICAL AND SAFETY WARNINGS

- Do not cut the solar panel wire. Discontinue use if the wire becomes frayed or broken.
- Do not immerse components in liquid.
- Do not use any other charging device other than the single solar charging panel provided with this light. Doing so may result in injury or damage to the light and voids any warranty.
- Position the cord so that it is securely fastened and will not result in a hazard (such as tripping).
- When changing the battery, be careful of any sharp edges that could cut you or the wires. Do not pull on the wires.

THINGS TO REMEMBER

- Periodically clean the solar panel with a soft cloth and warm water. Do not hose spray. Keep the collector clear of snow and leaves. Make sure trees and other objects do not block sunlight from the panel.
- If not to be used for several weeks, turn the unit OFF. Store it with the panel connected and where the panel can gather sunlight.
- Solar collection is only effective in direct sunlight. Every hour the light is on requires a minimum of 16 hours of sunlight charging. Solar panels collect less than 10% of the sun’s energy.
- Several days of use with overcast skies may discharge the battery. If so, turn the ON-OFF switch to the OFF position and allow the sun to charge the battery for 3 to 7 days.

STORAGE

If you wish to store your light indoors for more than two or three days, follow these steps to prevent damage to the battery:

1. Turn the ON/OFF switch to the OFF position.
2. Keep the solar panel cord connected to the light and store the light and solar panel where the solar panel can receive some sunlight or room light each day. The battery needs light to maintain a charge during storage.

BATTERY REPLACEMENT

This solar light contains a rechargeable battery that can be replaced if needed. Rechargeable batteries will eventually lose their ability to hold a charge. To replace the battery follow the steps below.

IMPORTANT: The rechargeable battery must be recycled or disposed of properly.

1. Remove the locking screw from the bottom rear of the battery case.
2. Press the release button on the top rear of the battery case to release the light fixture from the wall mounting plate.
3. Pull the battery pack out and remove the battery tray by removing the two screws.
4. Disconnect the battery pack from the circuit board.
5. Insert the new battery connector to the circuit board.
6. Replace the battery tray and place the battery pack back into the tray.
7. Place the rear of the battery case over the wall mounting plate and press the release button on the wall plate to snap the battery case onto the wall plate.
8. Replace the locking screw into the bottom rear of the battery case.

TROUBLESHOOTING GUIDE

SYMPTOM	POSSIBLE CAUSE	SOLUTION
Lights does not activate in normal operation.	<ol style="list-style-type: none"> ON/OFF switch is in OFF position. Lux control is set wrong. Motion sensor is positioned wrong. Solar panel positioned wrong. 	<ol style="list-style-type: none"> Turn ON/OFF switch to the ON position. Adjust Lux control toward (☼). Reposition light so motion sensor is positioned toward the area of movement. Position and angle solar panel so that it gets plenty of direct sunlight for most of the day, if not the entire day.
Lights come on in daylight.	<ol style="list-style-type: none"> Lux control is set wrong. 	<ol style="list-style-type: none"> Adjust Lux control toward (☾).
Lights come on for no apparent reason.	<ol style="list-style-type: none"> Light control may be sensing small animals or automobile traffic. 	<ol style="list-style-type: none"> Reposition light so motion sensor is positioned away from the area of movement.
Lights quickly flashes on and off.	<ol style="list-style-type: none"> Lux control is set wrong. Low battery charge. 	<ol style="list-style-type: none"> Adjust Lux control toward (☼). Turn ON/OFF switch to OFF position and charge the battery for 3 to 7 sunny days.
Light is not as bright as normal.	<ol style="list-style-type: none"> Low battery charge. 	<ol style="list-style-type: none"> Turn ON/OFF switch to OFF position and charge the battery for 3 to 7 sunny days.

HeathCo LLC reserves the right to discontinue products and to change specifications at any time without incurring any obligation to incorporate new features in products previously sold.

TECHNICAL SERVICE

Please call 1-800-858-8501 for assistance before returning product to store.

If you experience a problem, follow this guide. You may also want to visit our Web site at: www.hzsupport.com. If the problem persists, call* for assistance at **1-800-858-8501**, 8:00 AM to 5:00 PM CST (M-F). You may also write* to:

HeathCo LLC
P.O. Box 90045
Bowling Green, KY 42102-9045

* If contacting Technical Service, please have the following information available: Model Number, Date of Purchase, and Place of Purchase.

No Service Parts Available for this Product

Please keep your dated sales receipt, it is required for all warranty requests.

TWO YEAR LIMITED WARRANTY

This is a "Limited Warranty" which gives you specific legal rights. You may also have other rights which vary from state to state or province to province.

For a period of two years from the date of purchase, any malfunction caused by factory defective parts or workmanship will be corrected at no charge to you.

Not Covered - Repair service, adjustment and calibration due to misuse, abuse or negligence, light bulbs, batteries, and other expendable items are not covered by this warranty. Unauthorized service or modification of the product or of any furnished component will void this warranty in its entirety. This warranty does not include reimbursement for inconvenience, installation, setup time, loss of use, unauthorized service, or return shipping charges.

This warranty covers only HeathCo LLC assembled products and is not extended to other equipment and components that a customer uses in conjunction with our products.

THIS WARRANTY IS EXPRESSLY IN LIEU OF ALL OTHER WARRANTIES, EXPRESS OR IMPLIED, INCLUDING ANY WARRANTY, REPRESENTATION OR CONDITION OF MERCHANT ABILITY OR THAT THE PRODUCTS ARE FIT FOR ANY PARTICULAR PURPOSE OR USE, AND SPECIFICALLY IN LIEU OF ALL SPECIAL, INDIRECT, INCIDENTAL, OR CONSEQUENTIAL DAMAGES.

REPAIR OR REPLACEMENT SHALL BE THE SOLE REMEDY OF THE CUSTOMER AND THERE SHALL BE NO LIABILITY ON THE PART OF HEATHCO LLC FOR ANY SPECIAL, INDIRECT, INCIDENTAL, OR CONSEQUENTIAL DAMAGES, INCLUDING BUT NOT LIMITED TO ANY LOSS OF BUSINESS OR PROFITS, WHETHER OR NOT FORESEEABLE. Some states or provinces do not allow the exclusion or limitation of incidental or consequential damages, so the above limitation or exclusion may not apply to you. **Please keep your dated sales receipt, it is required for all warranty requests.**

Heath[®]Zenith

Luz detectora de movimiento con alimentación solar

Modelo 8434

*Las ilustraciones pueden variar de la unidad real.

CARACTERÍSTICAS

- Luz LED alimentada con luz solar.
- La lámpara opera automáticamente sólo por la noche.
- No requiere cableado.
- Solamente para montaje en pared.

CARGA INICIAL DE LA BATERÍA

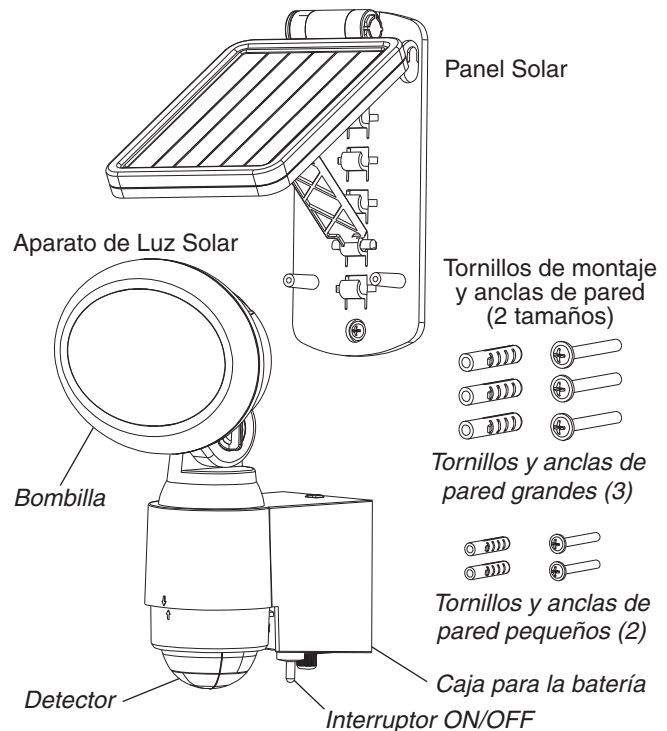
El panel solar requiere luz de sol directa y total para cargar la batería. Condiciones climatológicas como nubes, lluvia, nieve y otros pueden evitar que el panel solar recargue completamente la batería. Otros obstáculos tales como edificios o árboles también pueden bloquear el sol.

Al instalar el panel solar, asegúrese de que esté orientado como se describe a continuación con una mínima cantidad de obstáculos. De ser posible, monte el panel con dirección al cielo sureño.

- **ANTES DE USAR**, la batería requerirá de 3 a 7 días de mucho sol para cargarse completamente y con el interruptor ON-OFF en la posición OFF. Enchufe el cable del panel solar en el conector que se extiende de la parte inferior de la caja de las baterías. Si es posible, apunte el panel solar hacia el sur e inclínelo por casi 50° del nivel horizontal (vea la ilustración en la siguiente página). Si al panel solar no se le puede apuntar hacia el sur, entonces incline el panel por casi 30° si es posible.
- El tiempo real de funcionamiento dependerá de cuan frecuentemente el detector de movimiento prende la luz y de la cantidad de luz solar acumulada.
- La luz solar no se iguala al alumbrado estándar de 120 voltios. La cantidad de producción de luz se reduce para permitir que el sol recargue por completo la batería entre los ciclos de alumbrado.

DESEMPAQUE

Asegúrese de retirar todo el contenido del empaque y verificar que todos los elementos estén incluidos antes de ensamblar este aparato de luz. Este paquete incluye los siguientes elementos:



DONDE MONTAR SU LÁMPARA DETECTORA DE MOVIMIENTO ALIMENTADA CON LUZ SOLAR

La cosa más importante que hay que recordar para la operación de su lámpara detectora de movimiento alimentada por luz solar es que trabaja con la energía recibida directamente del sol. Mientras el panel solar más directamente recibe la luz solar durante un día, más tiempo funcionará la luz.

Lámpara solar:

La unidad principal contiene: 2 LEDs de 0,5W, detector de movimiento y baterías (3 baterías recargables de Ni-MH; 1,2Voltios y 300mAh). Cuando se decida dónde instalar la unidad, recuerde que el detector de movimiento que activa la luz tiene un "campo de visión" de mínimo 33 pies (10 metros) al frente de esta luz y más o menos un ángulo de detección de 110° a una temperatura del aire ambiente de 77°F (25°C).

Panel solar:

El panel solar convierte la energía solar en electricidad, cargando así a la batería guardada en la lámpara solar. El panel solar requiere que la luz solar incida directamente en la superficie del panel el mayor tiempo posible a lo largo del día.

Cuando escoja el sitio para el panel solar, asegúrese que este panel esté apuntando hacia el sur e inclinado a un ángulo adecuado que permita que incida directamente tanta luz solar como sea posible. Asegúrese que haya la menor cantidad de obstrucciones entre el panel solar y el sol.

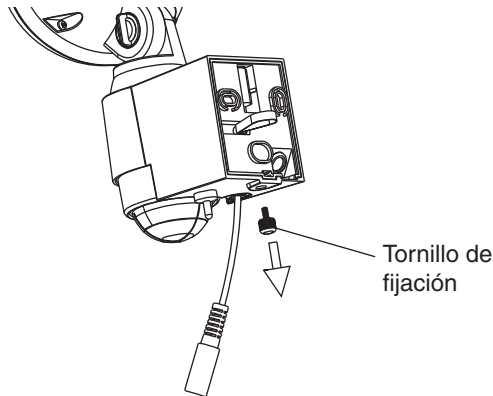
También asegúrese que la ubicación de su panel solar no esté demasiado alejada de la lámpara solar para que los cables puedan alcanzar y conectarse.

INSTALACIÓN

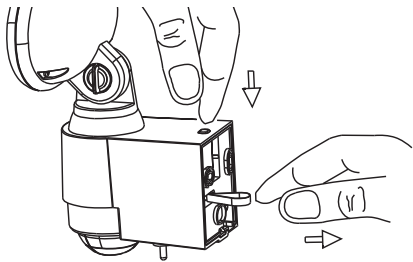
Montaje de la lámpara solar:

Para un mejor desempeño, instale la lámpara solar más o menos a 8 pies (2,4 m) por encima del suelo.

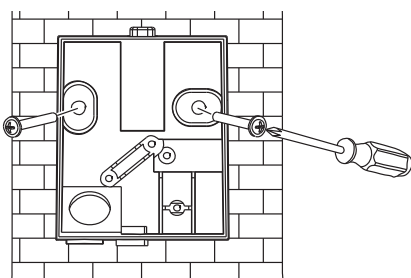
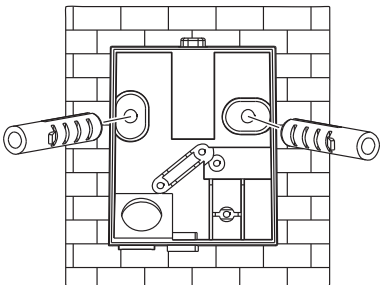
1. Retire el tornillo de fijación de la parte inferior trasera de la caja de las baterías.



2. Presione y suelte el botón de la parte superior trasera de la caja de las baterías para desenganchar la placa de montaje de pared de la parte trasera de la caja de las baterías. Hale la aleta en lámina negra de la placa de montaje en pared para retirarla de la caja de las baterías.

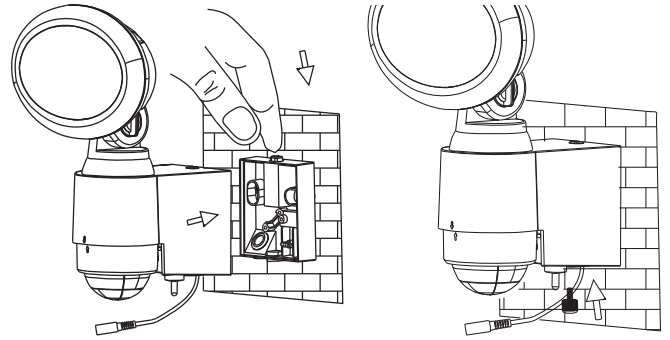


3. Use los dos tornillos y las anclas pequeños para montar la placa de pared sobre una superficie sólida. Esté seguro que haya suficiente espacio vertical por encima de la placa de montaje que permita montar la lámpara.



4. Coloque la parte trasera de la caja de las baterías encima de la placa de montaje en pared y presione el botón de desenganche de la placa de pared para unir a presión la caja de las baterías con la placa de pared.

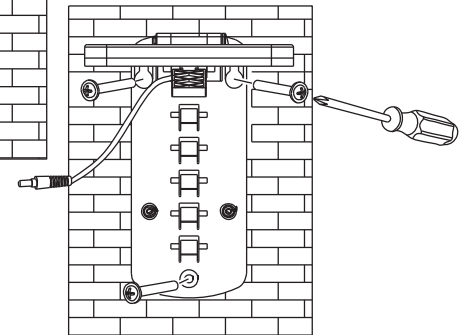
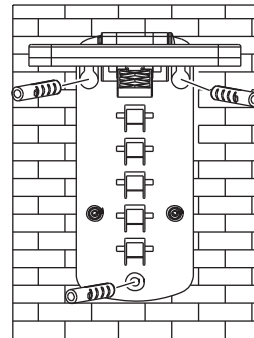
5. Vuelva a colocar el tornillo de fijación en la parte inferior trasera de la caja de las baterías.



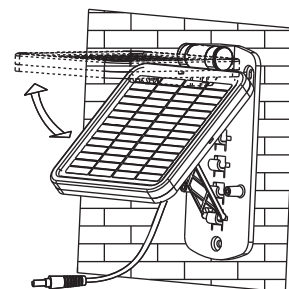
Montaje del panel solar:

1. Use los tres tornillos y anclas más grandes para montar el panel solar a una superficie sólida.

IMPORTANTE: Calafatee alrededor de la base y en la parte superior de las cabezas de los tornillos luego de la instalación.

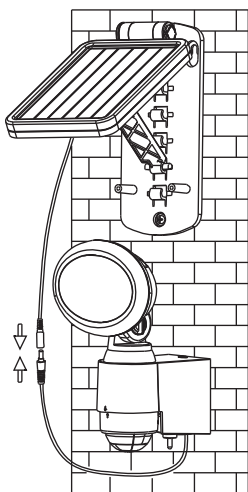


2. Regule el ángulo del panel solar moviendo el soporte de regulación hasta el gancho apropiado del soporte de montaje. Recuerde, el panel solar debe recibir en el transcurso del día tanta luz directa del sol como sea posible. Recuerde que las sombras pueden durante el día impedir que la luz solar llegue al panel solar.



- Guíe con cuidado el cable del panel solar hacia la lámpara. Enchufe el cable del panel solar en el conector que se extiende de la parte inferior de la caja de las baterías.

IMPORTANTE: Coloque el interruptor ON/OFF en la posición OFF y deje que la batería se cargue de 3 a 7 días de mucho sol antes de la prueba.



REGULACIÓN FINAL Y ARRANQUE

Luego de 3 a 7 días de carga bajo mucha luz solar, es momento de realizar los ajustes finales y empezar a usar la luz.

Interruptor ON/OFF:

En la parte inferior de la caja de las baterías hay un interruptor de palanca y dos posiciones: OFF (apagado) y ON (encendido).

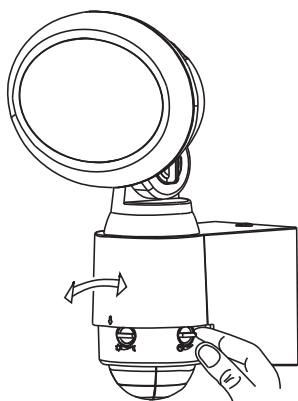
Posición OFF – Se usa para el envío o cuando no se la usa por largos períodos. También es usada para la carga inicial de 3 a 7 días hecha antes de los ajustes finales y antes de usarla por vez primera.

Posición ON– Es usada para la operación normal de la luz.

Regulación del detector de movimiento:

Luego de la carga inicial de 3 a 7 días, conmute el interruptor ON/OFF a la posición ON.

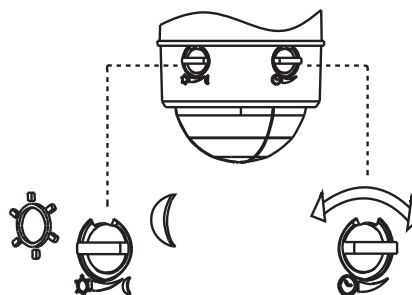
En el detector de movimiento hay dos perillas de regulación: TIME y LUX. Para tener acceso a estas perillas de regulación, gire a la derecha la caperuzita del detector de movimiento para que se muestren las perillas.



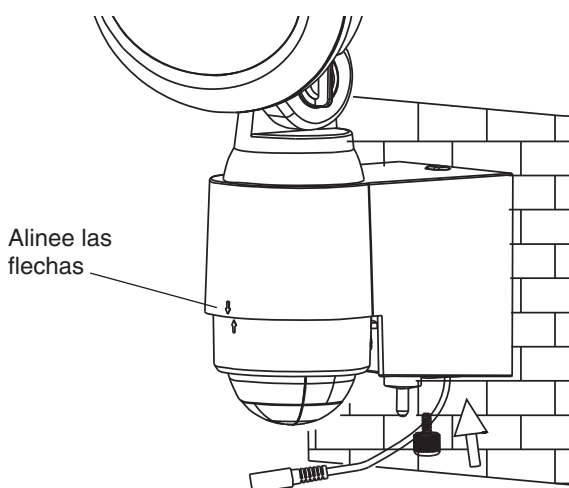
TIME — Tiempo de duración: El tiempo de duración se ajustará de 10 segundos a 1 minuto, dependiendo de cuánto tiempo luego de detectado el movimiento desea que la lámpara permanezca encendida. Nota: Una vez que la lámpara ha sido activada, cualquier detección adicional de movimiento hará reiniciar de nuevo desde el principio el tiempo calibrado. Gire el cuadrante TIME en sentido horario para disminuir la duración.

LUX — Nivel de control Lux: El módulo de control lux tiene incorporado un dispositivo detector (fotocélula) que detecta la luz diurna y la oscuridad. La posición (☼) indica que el detector de movimiento va a trabajar día y noche. La posición (☾) indica que el detector de movimiento activará a la luz solamente por la noche. Puede calibrar la unidad para que opere al nivel de luz ambiental deseado regulando desde la perilla LUX.

Nota: Si la luz se enciende cuando hay demasiada luz afuera, gire el control hacia la posición (☾). Sin embargo, si la luz no se está activando durante la noche debido a una farola o debido a las luces brillantes de la casa, gire este control hacia la posición (☼).



Luego de regular los ajustes TIME y LUX, gire la caperuzita del detector de movimiento hacia la izquierda y alinee las flechas de la carcasa de la lámpara con las de la caperuzita del detector de movimiento.



Regulación de la carcasa de la lámpara:

Apunte la lámpara al área que desea iluminar.

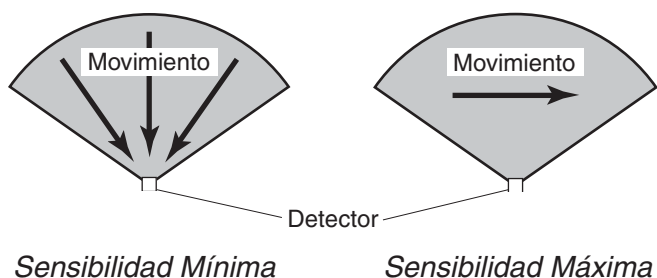
Prueba caminando:

El detector detecta "movimiento" por el movimiento del calor (calor corporal) a través del área de cobertura. Sin embargo, a continuación están ejemplos de objetos que pueden producir calor y hacer que el detector active una falsa alarma:

- Charcos de agua
- Acondicionadores de aire
- Ventosas de la secadora
- Animales en vallas
- Ventosas de calefacción
- Tráfico automotor

Si sospecha que una fuente de calor de este tipo está activando erróneamente al detector, pruebe apuntando el detector fuera de la fuente de calor en cuestión.

Nota: El detector es menos sensitivo al movimiento dirigido directamente hacia él y menos sensitivo a un movimiento al través.



Apunte el detector de movimiento hacia el área que desea detectar el movimiento y ponga la perilla TIME en la posición mínima (-) y la perilla LUX en la posición (☼) "luz". Pruebe el área de cobertura del detector de movimiento caminando lentamente dentro del área deseada. Cuando la luz se encienda, deténgase y espere que la luz se apague. Continúe este proceso hasta que el detector de movimiento ya no pueda captar el movimiento. Este proceso establecerá los límites exteriores del área de detección. Regule el detector de movimiento según se necesite para establecer el área de cobertura deseada.

ADVERTENCIAS GENERALES DE SEGURIDAD Y ELÉCTRICAS

- No corte el cable del panel solar. Deje de usar si el cable se deshilacha o se rompe.
- No sumerja los componentes en líquidos.
- No use ningún otro dispositivo de carga que no sea el panel de carga solar sencillo provisto con esta lámpara. Si usa otro dispositivo, puede producirle una lesión o un daño a la lámpara y anular cualquier garantía.
- Coloque el cordón para que esté sujeto de forma segura y no resulte peligroso (como una desconexión).
- Cuando cargue la batería, tenga cuidado de cualquier borde cortante que podrían cortarles a usted o a los cables. No hale de los alambres.

PUNTOS QUE SE DEBEN RECORDAR

- Limpie el panel solar periódicamente con un trapo suave y con agua tibia. No use una manguera. Mantenga el colector sin nieve y sin hojas. Asegúrese que los árboles y otros objetos no cubran la luz del sol dirigida al panel.
- Si no va a usar la por algunas semanas, APAGUE la unidad. Guárdela con el panel conectado y en un sitio donde el panel pueda guardar la luz solar.
- La colección solar es solo efectiva bajo la luz directa del sol. Por cada hora que la luz está prendida requiere un mínimo de 16 horas de carga de luz solar. Los paneles solares recolectan menos del 10% de la energía solar.
- Con varios días de uso en cielos nublados se puede descargar la batería. Si es así, ponga el interruptor ON/OFF en la posición OFF y deje que el sol cargue la batería de 3 a 7 días.

ALMACENAMIENTO

Si desea guardar su lámpara bajo techo por más de dos o tres días, siga estos pasos para evitar daños a la batería:

1. Gire el interruptor ON/OFF a la posición OFF.
2. Mantenga el cordón del panel solar conectado a la lámpara y guarde la lámpara y el panel solar donde el panel solar pueda recibir cada día algo de luz solar o luz de la habitación. La batería necesita luz para mantenerse cargada durante el almacenamiento.

CAMBIO DE LA BATERÍA

Esta lámpara solar tiene una batería recargable que puede cambiarse si es necesario. Las baterías recargables eventualmente perderán su habilidad de conservar su carga. Para cambiar la batería siga las instrucciones que siguen.

IMPORTANTE: La batería de plomo-ácido sellada debe ser reciclada o desechada correctamente.

1. Retire el tornillo de fijación de la parte inferior trasera de la caja de las baterías.
2. Presione el botón de desenganche de la parte superior trasera de la caja de las baterías para desenganchar la lámpara de la placa de montaje en pared.
3. Hale el paquete de baterías hacia afuera y quitando los dos tornillos retire la bandeja de la batería.
4. Desconecte el paquete de baterías de la tarjeta de circuitos.
5. Inserte el nuevo conector de la batería a la tarjeta de circuitos.
6. Vuelva a colocar la bandeja de la batería y ponga el paquete de baterías en la bandeja.
7. Coloque la parte posterior de la caja de las baterías sobre la placa de montaje en pared y presione el botón de desenganche en la placa de pared para unir a presión la caja de las baterías con la placa de pared.
8. Vuelva a colocar el tornillo de fijación en la parte inferior trasera de la caja de las baterías.

GUÍA DE ANÁLISIS DE AVERÍAS

SÍNTOMA	POSIBLE CAUSA	SOLUCIÓN
Las luces no se activan en operación normal.	<ol style="list-style-type: none"> 1. El interruptor ON/OFF está en la posición OFF. 2. El control LUX está mal calibrado. 3. El detector de movimiento está mal ubicado. 4. El panel solar está mal ubicado. 	<ol style="list-style-type: none"> 1. Gire el interruptor ON/OFF a la posición ON. 2. Regule el control LUX hacia (☼). 3. Vuelva a colocar la lámpara de manera que el detector de movimiento quede colocado hacia el área de movimiento. 4. Posicione el ángulo del panel solar para que reciba directamente mucha la luz solar la mayoría del día o todo el día.
Las luces se prenden durante el día.	<ol style="list-style-type: none"> 1. El control LUX está mal calibrado. 	<ol style="list-style-type: none"> 1. Regule el control LUX hacia (☾).
Las luces se prenden sin ninguna razón aparente.	<ol style="list-style-type: none"> 1. El control de luz puede estar detectando animales pequeños o tráfico de carros. 	<ol style="list-style-type: none"> 1. Vuelva a ubicar la lámpara de manera que el detector de movimiento esté posicionado fuera del área de movimiento.
Las luces destellan rápidamente encendiéndose y apagándose.	<ol style="list-style-type: none"> 1. El control Lux está mal calibrado. 2. Baja carga en la batería. 	<ol style="list-style-type: none"> 1. Regule el control LUX hacia (☼). 2. Gire el interruptor ON/OFF a la posición OFF y cargue la batería de 3 a 7 días soleados.
La lámpara brilla menos de lo normal.	<ol style="list-style-type: none"> 1. Baja carga de la batería. 	<ol style="list-style-type: none"> 1. Gire el interruptor ON/OFF a la posición OFF y cargue la batería de 3 a 7 días soleados.

HeathCo LLC se reserva el derecho de discontinuar los productos y de cambiar las especificaciones a cualquier hora sin incurrir en ninguna obligación de tener que incorporar las nuevas características en los productos vendidos anteriormente.

SERVICIO TÉCNICO

Favor de llamar al 1-800-858-8501 (sólo para hablar en inglés) para pedir ayuda antes de devolver el producto a la tienda.

Si tiene algún problema, siga esta guía. Usted puede también visitar nuestro sitio Web: www.hzsupport.com. Si el problema continúa, llame al **1-800-858-8501** (sólo para hablar en inglés), de 8:00 AM a 5:00 PM CST (L-V). Usted puede también escribir a:

HeathCo LLC
P.O. Box 90045
Bowling Green, KY 42102-9045

* Si se llama al Servicio Técnico, por favor tener lista la siguiente información: Número de Modelo, Fecha de compra y Lugar de compra.

No hay piezas de servicio disponibles para este producto.

Por favor guarde su recibo de venta fechado; se lo requiere para cualquier solicitud de garantía.

GARANTÍA LIMITADA A 2 AÑOS

Esta es una "Garantía Limitada" que le da a Ud. derechos legales específicos. Usted puede también tener otros derechos que varían de estado a estado o de provincia a provincia.

Por un período de 2 años desde la fecha de compra, cualquier mal funcionamiento ocasionado por partes defectuosas de fábrica o mano de obra será corregido sin cargo para Ud.

No cubierto - Servicio de reparación, ajuste y calibración debido al mal uso, abuso o negligencia, bombillas, baterías, u otras partes fungibles no están cubiertas por esta garantía. Los Servicios no autorizados o modificaciones del producto o de cualquier componente que se provee invalidarán esta garantía en su totalidad. Esta garantía no incluye reembolso por inconveniencia, instalación, tiempo de instalación, pérdida de uso, servicio no autorizado, o costos de transporte de retorno.

Esta garantía cubre solamente los productos ensamblados por HeathCo LLC y no se extiende a otros equipos o componentes que el consumidor usa junto con nuestros productos.

ESTA GARANTÍA ESTÁ EXPRESAMENTE EN LUGAR DE OTRAS GARANTÍAS, EXPRESADAS O SOBREENTENDIDAS, INCLUYENDO CUALQUIER GARANTÍA, REPRESENTACIÓN O CONDICIÓN DE COMERCIABILIDAD O QUE LOS PRODUCTOS SE ADAPTEN PARA CUALQUIER PROPÓSITO O USO EN PARTICULAR, Y ESPECIFICAMENTE EN LUGAR DE TODOS LOS DAÑOS ESPECIALES, INDIRECTOS, INCIDENTALS Y CONSECUENTES.

LA REPARACIÓN O EL REEMPLAZO DEBERÍA SER LA ÚNICA SOLUCIÓN DEL CLIENTE Y NO HABRÁ RESPONSABILIDAD POR PARTE DE HEATHCO LLC POR CUALQUIER DAÑO ESPECIAL, INDIRECTO, INCIDENTAL O CONSECUENTE, INCLUIDOS PERO NO LIMITADOS A CUALQUIER PÉRDIDA DE NEGOCIO O GANANCIAS SEAN O NO PREVISIBLES. Algunos estados o provincias no permiten la exclusión o limitación de daños incidentales o consecuentes, de modo que la limitación o exclusión arriba indicada puede que no se aplique a Ud.

Por favor guarde su recibo de venta fechado; se lo requiere para cualquier solicitud de garantía.

Éclairage à détecteur de mouvements, à énergie solaire Modèle 8434

*L'unité peut différer des illustrations.

CARACTÉRISTIQUES

- Éclairage solaire à DEL.
- L'éclairage fonctionne automatiquement rien que le soir.
- Aucun câblage requis.
- Montage mural seulement.

RECHARGE INITIALE DE BATTERIE

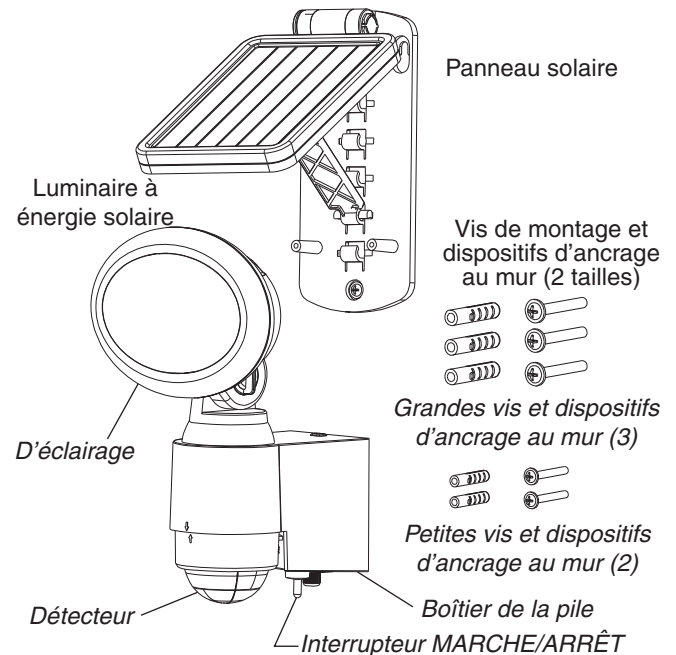
Le panneau lumineux nécessite de la lumière directe et à pleine intensité afin de recharger la pile. Les nuages, la pluie, la neige, et d'autres conditions météorologiques peuvent affecter le rechargement complet de la pile du panneau lumineux. D'autres obstructions, tels que les immeubles ou les arbres peuvent également bloquer le soleil.

Lors de l'installation du panneau solaire, assurez-vous qu'il pointe dans la direction indiquée ci-dessous avec un minimum d'obstructions. Si possible, installez le panneau dans la direction du sud-ouest.

- **AVANT TOUTE UTILISATION**, la batterie doit être exposée en plein soleil pendant 3 à 7 jours pour une charge complète avec l'interrupteur **MARCHE-ARRÊT (ON-OFF)** en position **ARRÊT**. Brancher le câble du panneau solaire au connecteur se trouvant au bas du logement à batterie. Si possible, orientez le panneau solaire vers le sud et inclinez-le à environ 50° à l'horizontale (voir illustration en page suivante). Si le panneau solaire ne peut pas être orienté vers le sud, alors inclinez le panneau d'environ 30° si possible.
- Le temps de fonctionnement réel variera en fonction de la fréquence d'allumage de la lumière par le détecteur de mouvement et la quantité de lumière solaire recueillie.
- L'éclairage solaire n'est pas conçu pour être égal à l'éclairage standard de 120V. La quantité de flux lumineux est réduite pour permettre au soleil d'avoir assez de temps pour complètement recharger la batterie entre les cycles d'éclairage.

DÉBALLAGE

Retirez tout le contenu de l'emballage et assurez-vous d'avoir en main tous les éléments avant de débiter l'assemblage. L'emballage contient les éléments suivants :



OÙ INSTALLER VOTRE ÉCLAIRAGE À DÉTECTEUR DE MOUVEMENT SOLAIRE

La chose la plus importante à garder en tête lors de l'utilisation de votre lumière à détecteur de mouvement à alimentation solaire, c'est qu'elle fonctionne avec l'énergie directement reçue de la lumière du soleil. Plus le panneau solaire reçoit directement de lumière du soleil dans une journée, plus la lumière fonctionnera longtemps.

Éclairage solaire :

L'appareil principal contient 2 DEL de 0,5 W, détecteur de mouvement et batterie (3 x batterie rechargeable Ni-MH, 1,2 V 300mAh). Pour décider de l'endroit où installer cet appareil, notez bien que le détecteur de mouvement qui active la lumière a un « champ de vision » de 33 pieds (10 mètres) minimum devant la lumière et un angle de détection d'environ 110° à une température d'air ambiant de 77° F (25° C).

Panneau solaire :

Le panneau solaire convertit l'énergie solaire en électricité ce qui charge la batterie dans l'appareil d'éclairage solaire. Le panneau solaire exige que la lumière directe du soleil tombe sur la face du panneau solaire pendant aussi longtemps que possible dans la journée.

Pour choisir l'emplacement du panneau solaire, s'assurer qu'il est orienté vers le sud et incliné à un angle approprié pour recevoir autant de lumière directe du soleil que possible. S'assurer qu'il y a le minimum d'obstructions possible entre le panneau solaire et le soleil.

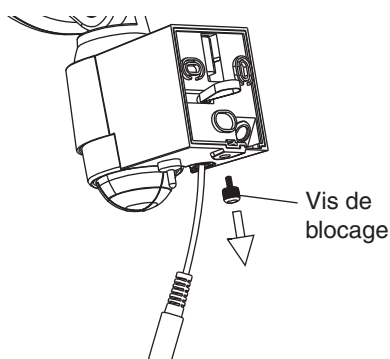
S'assurer aussi que l'endroit du panneau solaire n'est pas trop éloigné de l'appareil d'éclairage solaire pour que les câbles puissent être branchés.

INSTALLATION

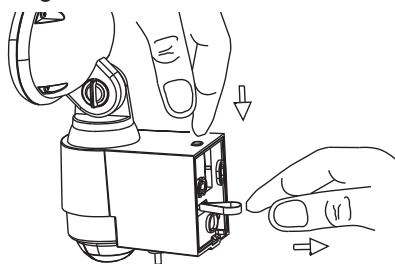
Montage de l'appareil d'éclairage solaire :

Pour la meilleure performance possible, monter l'appareil d'éclairage solaire à environ 8 pieds (2,4 m) au-dessus du sol.

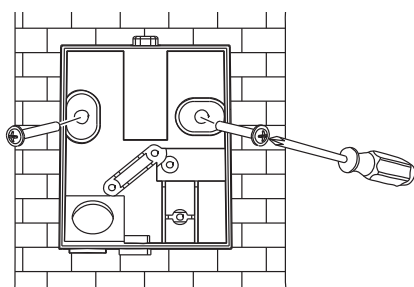
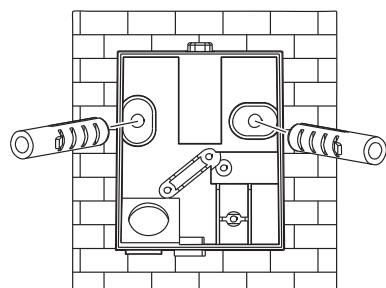
1. Enlever la vis de blocage de la partie arrière inférieure du logement à batterie.



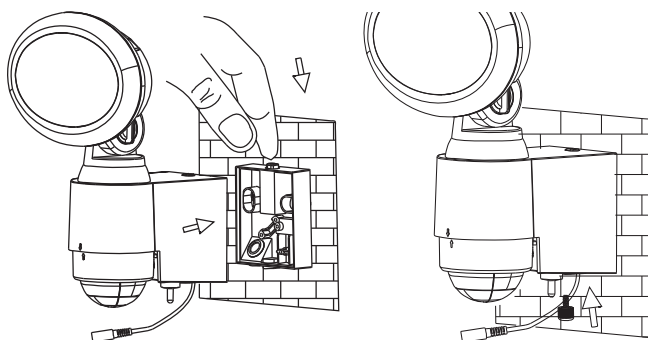
2. Appuyer sur le bouton de déclenchement de la partie arrière supérieure du logement à batterie pour dégager la plaque de montage mural de l'arrière du logement à batterie. Tirer l'onglet de la courroie noire se trouvant sur la plaque de montage mural pour la sortir du logement à batterie.



3. Utiliser les deux petites vis et les dispositifs d'ancrage pour monter la plaque murale sur une surface solide. S'assurer qu'il y a suffisamment d'espace vertical au-dessus de la plaque de montage pour monter l'éclairage.

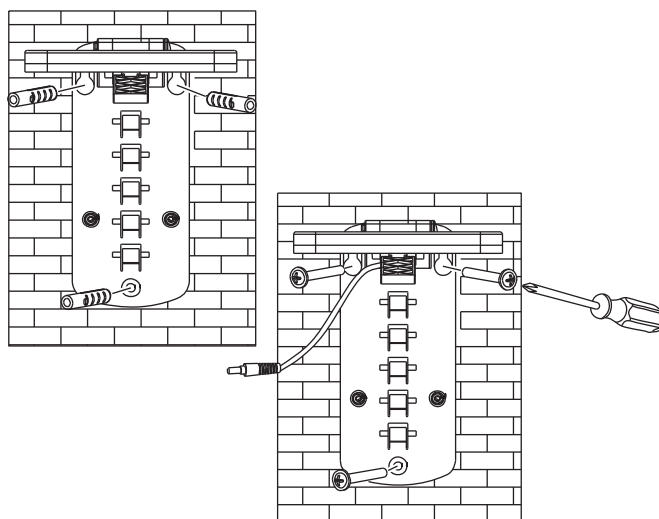


4. Mettre l'arrière du logement à batterie sur la plaque de montage mural et appuyer sur le bouton de déclenchement sur la plaque murale pour enclencher le logement à batterie sur la plaque murale.
5. Remettre la vis de blocage dans la partie arrière inférieure du logement à batterie.

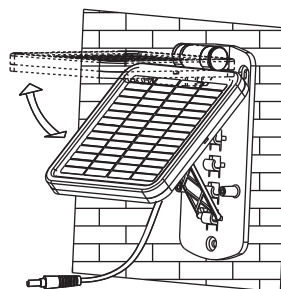


Montage du panneau solaire :

1. Utiliser les trois plus grandes vis et dispositifs d'ancrage pour monter le panneau solaire sur une surface solide. **IMPORTANT : Calfeutrer autour du socle et dessus les têtes des vis après l'installation.**

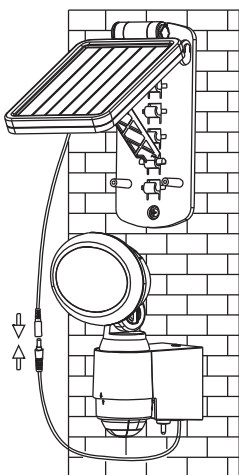


2. Ajuster l'angle du panneau solaire en déplaçant le support d'ajustement au crochet approprié sur la fixation de montage. Ne pas oublier que le panneau solaire doit recevoir autant de lumière directe du soleil que possible durant la journée. Notez bien que les ombres peuvent bloquer la lumière du soleil et l'empêcher d'atteindre le panneau solaire durant la journée.



- Acheminer soigneusement le câble du panneau solaire à l'appareil d'éclairage. Brancher le câble du panneau solaire au connecteur se trouvant au bas du logement à batterie.

IMPORTANT : Mettre l'interrupteur MARCHÉ/ARRÊT à la position ARRÊT et laisser la batterie se charger pendant 3 à 7 jours en plein soleil avant de faire un essai.



AJUSTEMENT FINAL ET MISE EN MARCHÉ

Après 3 à 7 jours de charge en plein soleil, le moment est venu de faire les derniers ajustements et de commencer à utiliser l'éclairage.

Interrupteur MARCHÉ/ARRÊT :

Au bas du logement à batterie se trouve un interrupteur à levier avec 2 positions : ARRÊT et MARCHÉ.

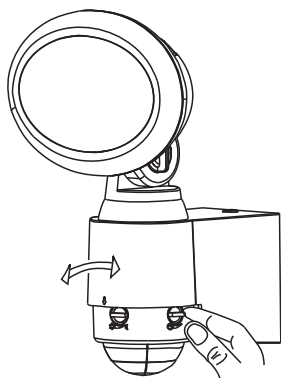
Position ARRÊT – Utilisée pour l'expédition ou des périodes prolongées de non utilisation. Également utilisée pour les 3 à 7 jours de charge avant l'ajustement final et la première utilisation.

Position MARCHÉ – Utilisée pour le fonctionnement normal de l'éclairage.

Détecteur de mouvement réglable :

Après la charge initiale de 3 à 7 jours, mettre le levier de l'interrupteur MARCHÉ/ARRÊT à la position MARCHÉ.

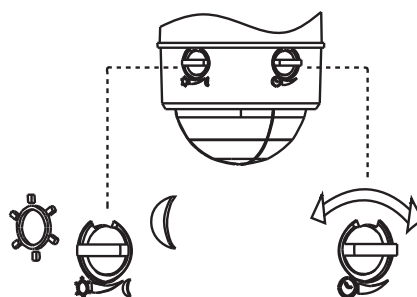
Sur le détecteur de mouvement se trouvent deux boutons réglables : TEMPS et LUX. Pour accéder aux boutons réglables TEMPS et LUX, faire pivoter le dôme du détecteur de mouvement vers la droite pour exposer les boutons d'ajustement.



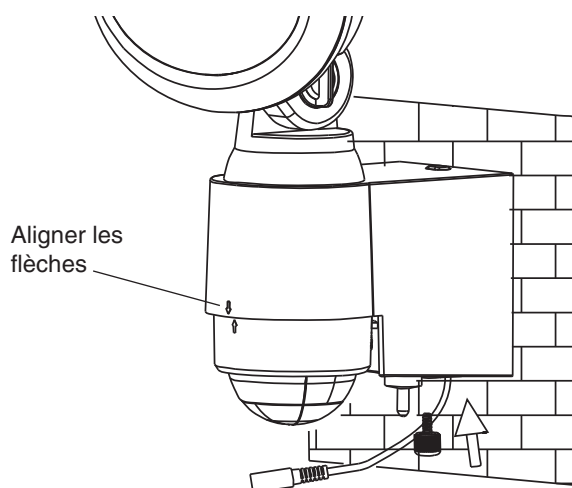
TEMPS — Durée de marche: La durée s'ajustera de 10 secondes à 1 minute, selon pendant combien de temps vous souhaitez que l'appareil reste allumé une fois le mouvement détecté. Remarque : Une fois que la lumière a été activée, toute détection supplémentaire de mouvement fera recommencer la période de durée de marche depuis le début. Tourner le cadran TEMPS dans le sens contraire des aiguilles d'une montre pour augmenter la durée. Tourne le cadran TEMPS dans le sens des aiguilles d'une montre pour diminuer la durée.

LUX — Niveau de contrôle Lux : Le module de contrôle Lux est doté d'un capteur intégré (photocellule) qui détecte la lumière du jour et l'obscurité. La position (☼) indique que le détecteur de mouvement activera la lumière pendant le jour et la nuit. La Position (☾) indique que le détecteur de mouvement activera la lumière seulement la nuit. Vous pouvez régler l'appareil pour qu'il fonctionne au niveau d'éclairage de proximité désiré en ajustant le bouton LUX.

Remarque : Si l'appareil s'allume quand il fait encore trop jour dehors, tourner la commande vers la position (☾). Cependant, si la lumière n'est pas activée la nuit en raison d'une lumière dans la rue ou de lampes vives de la maison, tourner cette commande vers la position (☼).



Après avoir ajusté les réglages TEMPS et LUX, faire pivoter le dôme du détecteur de mouvement vers la gauche et aligner les flèches sur le socle de la lampe et le dôme du détecteur de mouvement



Ajustement du socle de la lampe :

Orienter la lampe face au périmètre que vous désirez illuminer.

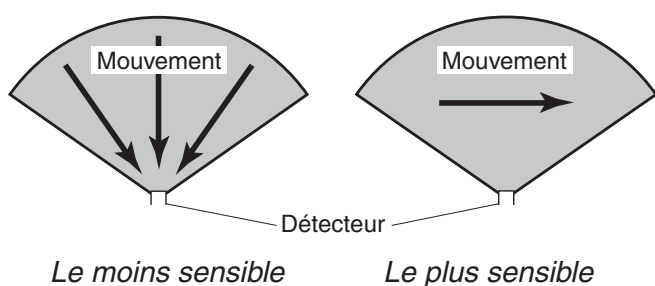
Test de marche :

Le capteur détecte les « mouvements » en décelant le passage d'une source de chaleur (chaleur corporelle) dans la zone de couverture. Voici toutefois des exemples d'objets qui dégagent aussi de la chaleur et qui, par conséquent, peuvent entraîner le déclenchement intempestif du capteur :

- Piscine
- Appareil de climatisation
- Événement de sécheuse
- Animaux en cage
- Événement de ventilation
- Circulation automobile

Si vous suspectez qu'une source de chaleur de ce type active le capteur par erreur, essayez d'orienter le capteur à l'écart de la source de chaleur en question.

Note : Le détecteur est moins sensible aux objets/personnes qui se dirigent directement vers lui qu'aux mouvements latéraux.



Orienter le détecteur de mouvement vers le périmètre où vous voulez détecter les mouvements et régler le bouton TEMPS au minimum (-) et le bouton LUX à la position « faible » (☼). Tester la couverture du détecteur de mouvement de la zone en marchant lentement dans le périmètre désigné. Lorsque la lumière s'allume, arrêtez-vous et attendez qu'elle s'éteigne. Continuer ce processus jusqu'à ce que le détecteur de mouvement ne détecte plus rien. Ce processus établira les bords extérieurs du périmètre de détection. Ajuster le détecteur de mouvement au besoin pour établir le périmètre désiré.

AVERTISSEMENTS D'ORDRE GÉNÉRAL CONCERNANT L'ÉLECTRICITÉ ET LA SÉCURITÉ

- Ne pas couper le fil du panneau solaire. Cesser l'utilisation si le fil est effiloché ou endommagé.
- Ne pas immerger les composants dans un liquide.
- Ne pas utiliser d'autres dispositifs de chargement que le panneau de chargement solaire simple fourni avec cet éclairage. Cela pourrait entraîner des blessures ou des dommages à l'éclairage et annuler la garantie.
- Positionner le cordon afin qu'il soit attaché de manière sécuritaire et ne présente pas de risque (comme un risque de trébuchement).
- Pour charger la batterie, faire attention à tout rebord saillant qui pourrait vous couper ou couper les fils. Ne pas tirer sur les fils.

RAPPEL

- Nettoyer périodiquement le panneau solaire au moyen d'un chiffon doux et d'eau chaude. Ne pas l'arroser directement au moyen du boyau. S'assurer que le panneau n'est pas couvert de feuilles ou de neige. S'assurer que la lumière du soleil n'est pas obstruée par des arbres ou d'autres objets.
- Si vous prévoyez ne pas vous servir de l'appareil pendant plusieurs semaines, placer le commutateur en position OFF. Entreposer l'appareil raccordé au panneau solaire, ce dernier étant placé de façon à pouvoir capter la lumière du soleil.
- Le capteur solaire fonctionne seulement lorsqu'il est directement exposé au soleil. Pour chaque heure d'éclairage, l'appareil doit être directement exposé au soleil pendant 16 heures pour assurer la recharge de la pile. Les panneaux solaires collectent moins de 10 % de l'énergie solaire.
- Plusieurs jours d'utilisation avec un temps couvert peuvent décharger la batterie. Si c'est le cas, mettre l'interrupteur MARCHE-ARRÊT à la position ARRÊT et laisser le soleil recharger la batterie pendant 3 à 7 jours.

ENTREPOSAGE

Si vous souhaitez entreposer votre lumière à l'extérieur durant plus de deux à trois jours, suivez ces étapes afin d'éviter d'endommager la batterie :

1. Mettre l'interrupteur MARCHE/ARRÊT à la position ARRÊT.
2. Maintenir le fil du panneau solaire branché à l'éclairage et ranger l'éclairage et le panneau solaire dans un endroit où le panneau solaire peut recevoir un peu de lumière du soleil ou d'une pièce chaque jour. La batterie a besoin de lumière pour maintenir sa charge lors du rangement.

REMPACEMENT DE LA PILE

Ce luminaire à énergie solaire comporte une pile rechargeable qui peut être remplacée, au besoin. Les piles rechargeables perdent, avec le temps, la capacité de conserver leur charge. Suivre les étapes ci-après pour remplacer la pile.

IMPORTANT : La pile au plomb-acide scellée doit être recyclée ou correctement mise aux rebus.

1. Enlever la vis de blocage de la partie arrière inférieure du logement à batterie.
2. Appuyer sur le bouton de déclenchement de la partie arrière supérieure du logement à batterie afin de dégager l'éclairage de la plaque de montage mural.
3. Tirer la batterie et enlever le bac à batterie en sortant les deux vis.
4. Débrancher la batterie du circuit imprimé.
5. Insérer le nouveau connecteur de batterie au circuit imprimé.
6. Remettre le bac à batterie et mettre la batterie dans le bac.
7. Placer le dos du logement à batterie sur la plaque de montage mural et appuyer sur le bouton de déclenchement de la plaque murale pour enclencher le logement de batterie sur la plaque murale.
8. Remettre la vis de blocage dans la partie arrière inférieure du logement à batterie.

GUIDE DE DÉPANNAGE

SYMPTÔME	CAUSE POSSIBLE	SOLUTION
Les lumières ne sont pas activées en fonctionnement normal.	<ol style="list-style-type: none"> 1. L'interrupteur MARCHE/ARRÊT est à la position ARRÊT. 2. La commande Lux est mal réglée. 3. Le détecteur de mouvement est mal positionné. 4. Le panneau solaire est mal positionné. 	<ol style="list-style-type: none"> 1. Tourner l'interrupteur MARCHE/ARRÊT à la position MARCHE. 2. Ajuster la commande Lux vers (☼). 3. Repositionner l'éclairage afin que le détecteur de mouvement soit orienté vers le périmètre de mouvement. 4. Positionner et orienter le panneau solaire afin qu'il reçoive amplement de lumière directe du soleil pendant la plupart de la journée, sinon toute la journée.
L'éclairage s'allume en plein jour.	<ol style="list-style-type: none"> 1. La commande Lux n'est pas bien réglée. 	<ol style="list-style-type: none"> 1. Ajuster la commande Lux vers (☾).
L'éclairage s'allume sans raison apparente.	<ol style="list-style-type: none"> 1. La commande peut détecter de petits animaux ou la circulation automobile. 	<ol style="list-style-type: none"> 1. Repositionner l'éclairage afin que le détecteur de mouvement soit positionné à l'écart du périmètre de mouvement.
Les lumières clignotent rapidement.	<ol style="list-style-type: none"> 1. La commande Lux n'est pas bien réglée. 2. Faible charge de la batterie. 	<ol style="list-style-type: none"> 1. Ajuster la commande Lux vers (☼). 2. Tourner l'interrupteur MARCHE/ARRÊT à la position ARRÊT et charger la batterie pendant 3 à 7 jours ensoleillés.
L'éclairage n'est pas aussi fort que d'habitude.	<ol style="list-style-type: none"> 1. La charge de la batterie est faible. 	<ol style="list-style-type: none"> 1. Tourner l'interrupteur MARCHE/ARRÊT à la position ARRÊT et charger la batterie pendant 3 à 7 jours ensoleillés.

HeathCo LLC se réserve le droit d'abandonner tout produit et d'en changer les spécifications, en tout temps et sans contracter quelque obligation que ce soit quant à l'incorporation de nouvelles caractéristiques aux produits déjà vendus.

SERVICE TECHNIQUE

Veillez faire le 1 800 858-8501 (service en anglais seulement) pour obtenir de l'aide avant de retourner l'article au magasin.

En cas de problème, suivez ce guide. Vous pouvez aussi visiter notre site Web à www.hzsupport.com. Si le problème persiste, composez* le **1 800 858-8501** (service en anglais seulement), entre 8 h 00 et 17 h 00, HNC, du lundi au vendredi. Vous pouvez aussi écrire au :

HeathCo LLC
P.O. Box 90045
Bowling Green, KY 42102-9045

* Lors d'un appel au service technique, veuillez avoir les renseignements suivants à portée de main : numéro du modèle, date d'achat et endroit de l'achat.

Aucune pièce de rechange n'est disponible pour ce produit.

Veillez conserver le reçu portant la date d'achat; vous en aurez besoin pour toutes vos demandes liées à la garantie.

GARANTIE LIMITÉE DE 2 ANS

Il s'agit d'une « Garantie limitée » qui vous confère des droits juridiques spécifiques. Vous pouvez également jouir d'autres droits, variables d'une province à l'autre.

Pendant une période de 2 ans à compter de la date d'achat, toute anomalie de fonctionnement imputable à un vice de matériau ou de main-d'oeuvre sera corrigée gratuitement.

Exclusions de la garantie - Réparations, réglage et calibrage dus à une mauvaise utilisation, un mauvais traitement ou à la négligence. Les ampoules, les piles et des autres articles non durables ne sont pas couverts par cette garantie. Le service non autorisé ou la modification du produit ou d'un ou l'autre de ses composants fournira invalidera totalement la présente garantie. Cette garantie n'inclut pas le remboursement pour le dérangement, l'installation, le réglage, la perte d'utilisation, le service non autorisé ou les frais d'expédition pour le renvoi de la marchandise.

La garantie ne couvre que les produits assemblés HeathCo LLC et ne s'étend pas aux autres équipements et composants que le client pourrait utiliser conjointement avec nos produits.

CETTE GARANTIE TIEN EXPRESSÉMENT LIEU DE TOUTES AUTRES GARANTIES, EXPLICITES OU IMPLICITES, Y COMPRIS DE TOUTE GARANTIE DE REPRÉSENTATION OU DE CONDITION DE CONVENANCE À LA COMMERCIALISATION OU À L'EFFET QUE LES PRODUITS CONVIENNENT À UN BUT OU À UNE UTILISATION PARTICULIÈRE, ET SPÉCIFIQUEMENT DE TOUS DOMMAGES SPÉCIAUX, DIRECTS, INDIRECTS OU SECONDAIRES.

LE REMPLACEMENT OU LA RÉPARATION CONSTITUENT LE SEUL RECOURS DU CLIENT ET HEATHCO LLC NE POURRA ÊTRE TENUE RESPONSABLE DE TOUS DOMMAGES SPÉCIAUX, DIRECTS, INDIRECTS OU SECONDAIRES, Y COMPRIS, SANS S'Y LIMITER, LES PERTES COMMERCIALES ET PERTES DE PROFIT, QU'ELLES SOIENT PRÉVISIBLES OU NON. Certaines provinces n'autorisent pas l'exclusion ou la limitation des dommages indirects ou secondaires, et la limitation ou l'exclusion ci-dessus pourrait ne pas s'appliquer à vous. **Veillez conserver le reçu portant la date d'achat; vous en aurez besoin pour toutes vos demandes liées à la garantie.**

Heath[®]Zenith

**Purchase Information
Información de la compra
Renseignements d'achat**

Model #: _____
Nº de modelo / N° de modèle

Date of Purchase: _____
Fecha de compra / Date d'achat

**Staple Purchase Receipt Here
Engrape aquí el recibo de compra
Agrafez le reçu d'achat ici**

**PLEASE KEEP YOUR DATED SALES RECEIPT,
IT IS REQUIRED FOR ALL WARRANTY REQUESTS.
POR FAVOR GUARDE SU RECIBO DE VENTA FECHADO; SE LO
REQUIERE PARA CUALQUIER SOLICITUD DE GARANTÍA.
VEUILLEZ CONSERVER LE REÇU PORTANT LA DATE D'ACHAT;
VOUS EN AUREZ BESOIN POUR TOUTES VOS DEMANDES
LIÉES À LA GARANTIE.**