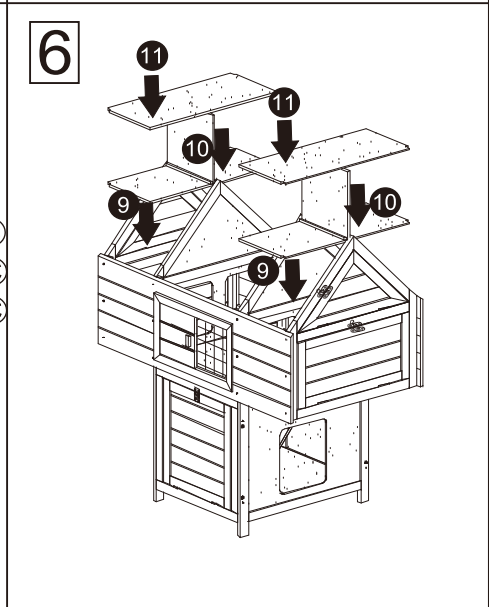
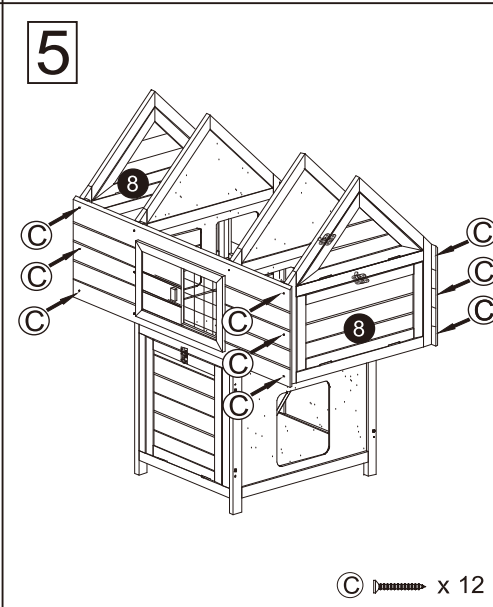
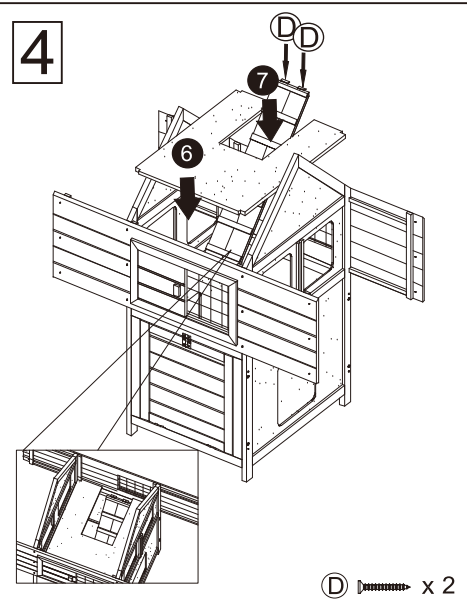
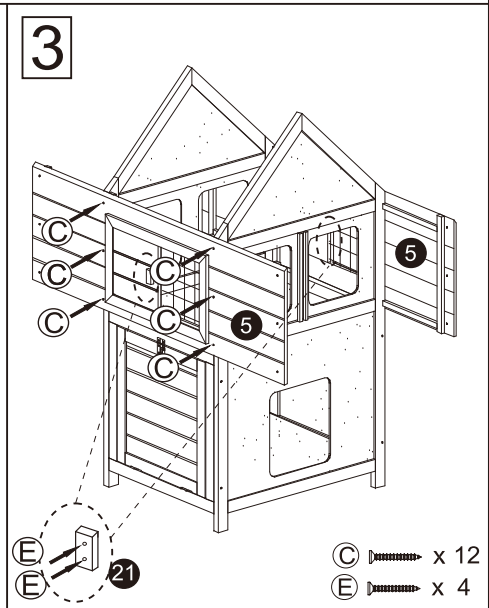
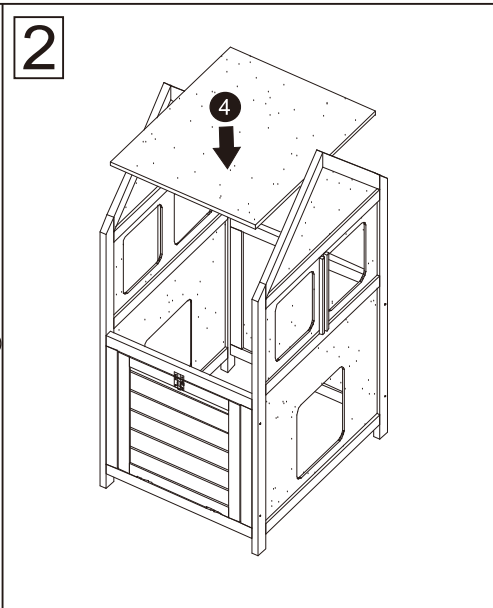
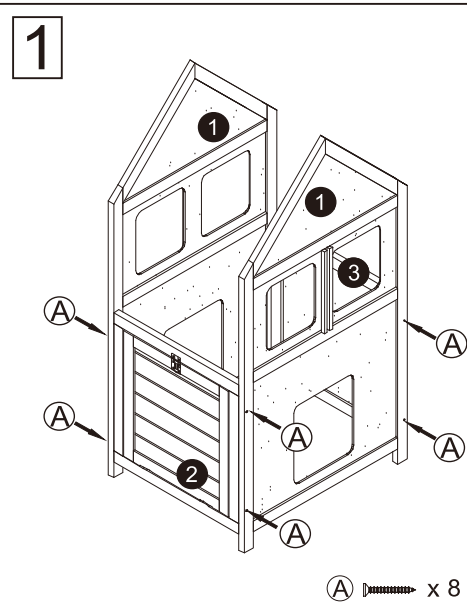
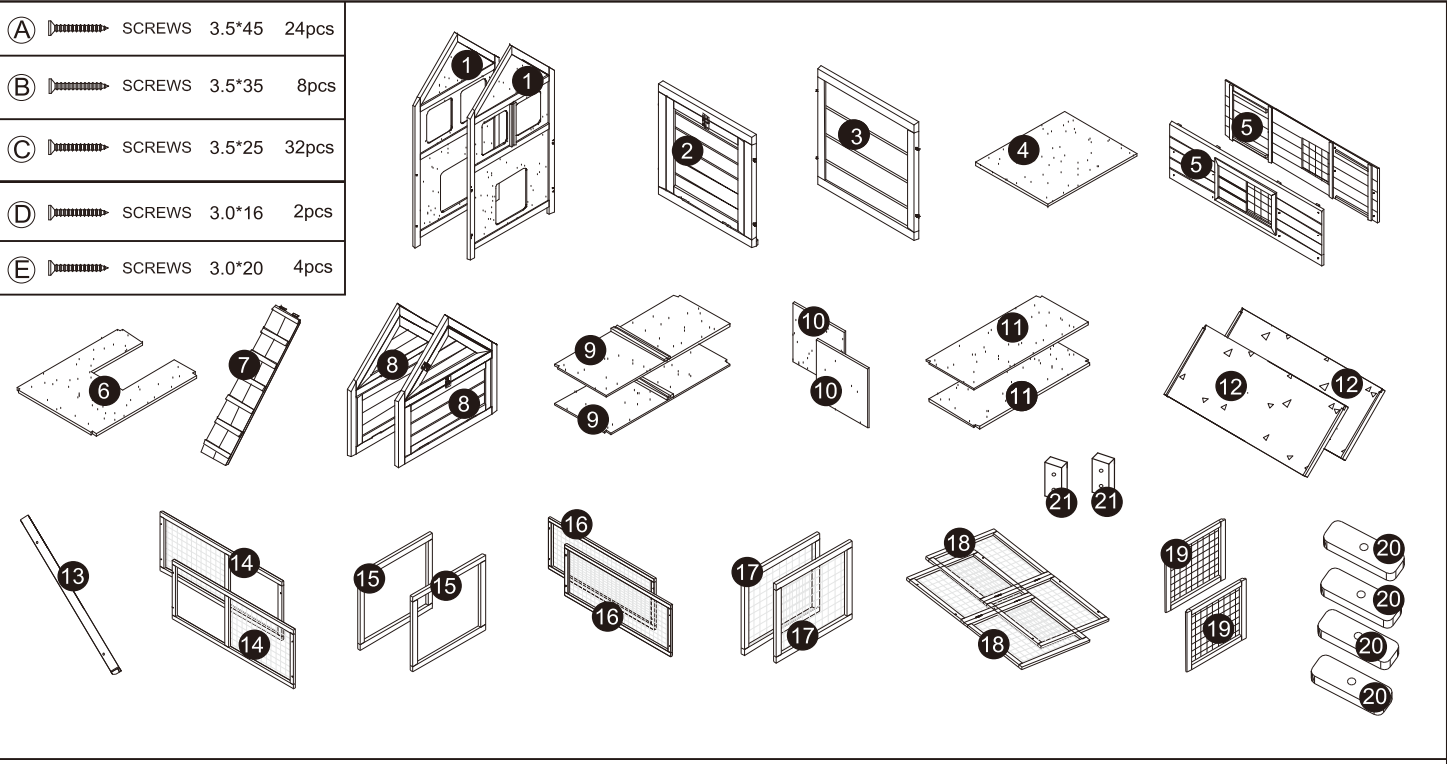




Assembly Instruction

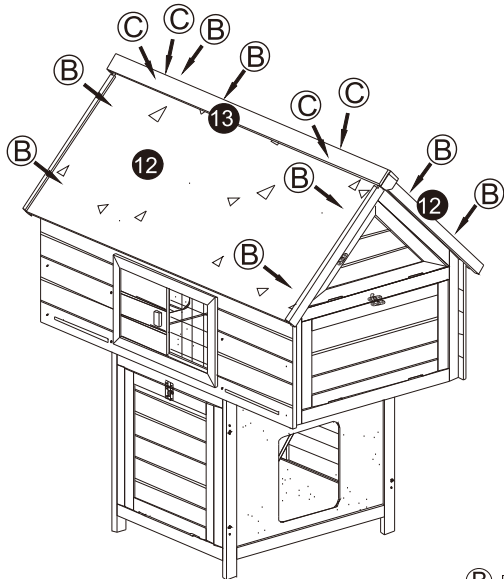
- (A) SCREWS 3.5*45 24pcs
- (B) SCREWS 3.5*35 8pcs
- (C) SCREWS 3.5*25 32pcs
- (D) SCREWS 3.0*16 2pcs
- (E) SCREWS 3.0*20 4pcs





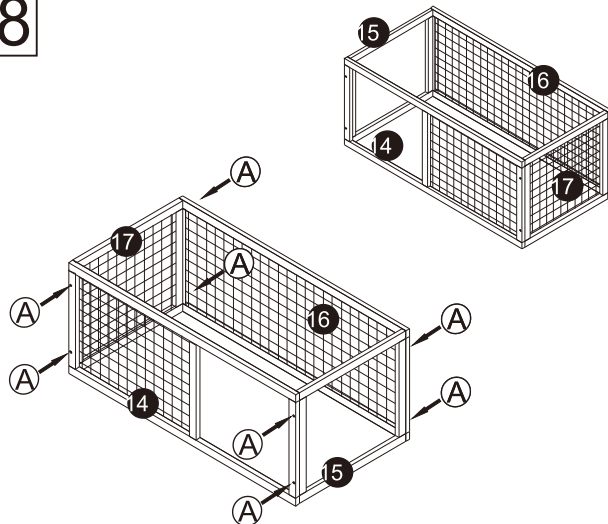
Assembly Instruction

7



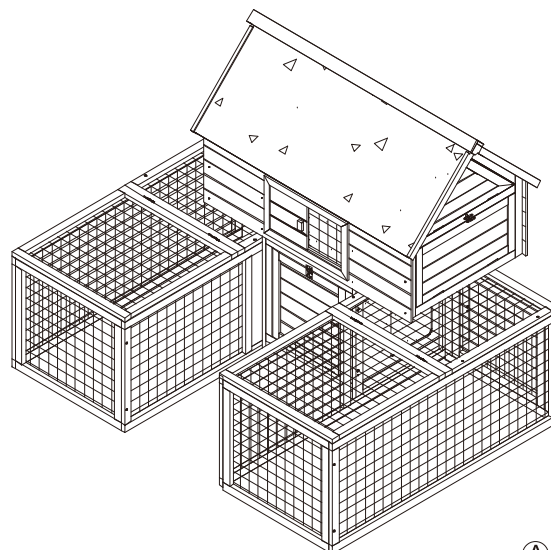
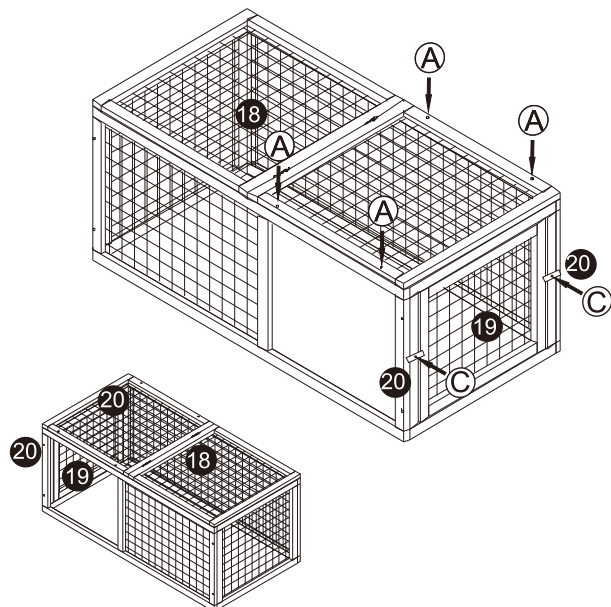
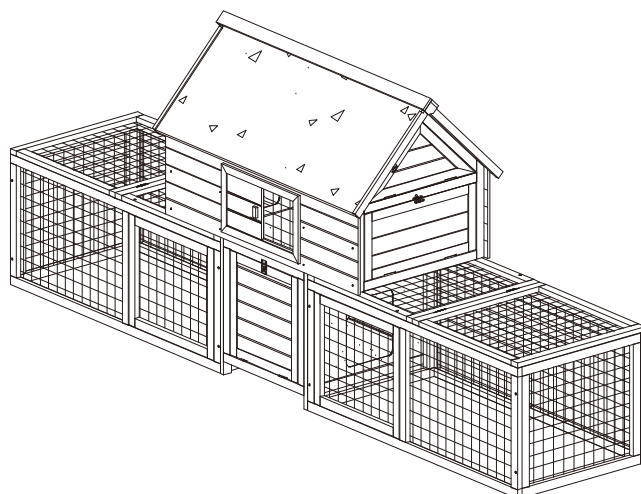
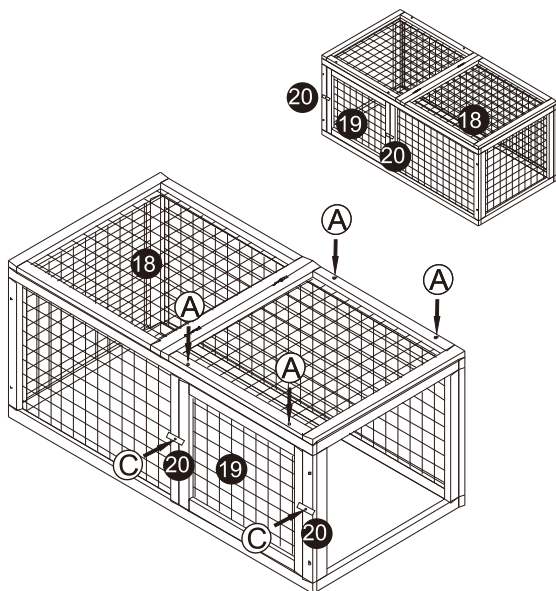
B → x 8
C → x 4

8



A → x 8

9



A → x 8
C → x 4