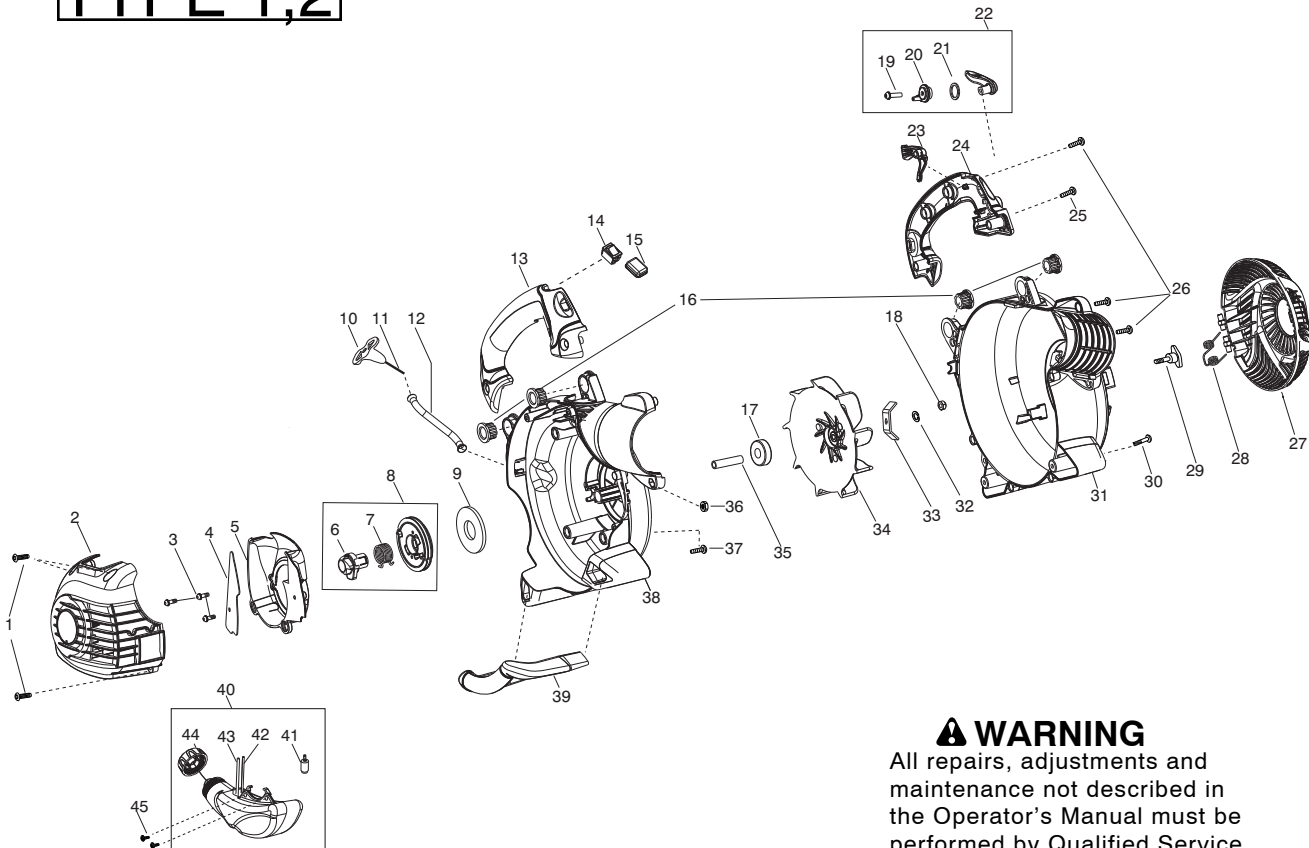


Parts List No. 545164393		<b>Poulan PRO</b> PARTS LIST	MODEL BVM210VS
Date 2/22/10	Replaces 545164393 - 11/04/09		NOTE : Illustration may differ from actual model due to design changes.

# TYPE 1,2



## ⚠ WARNING

All repairs, adjustments and maintenance not described in the Operator's Manual must be performed by Qualified Service Personnel.

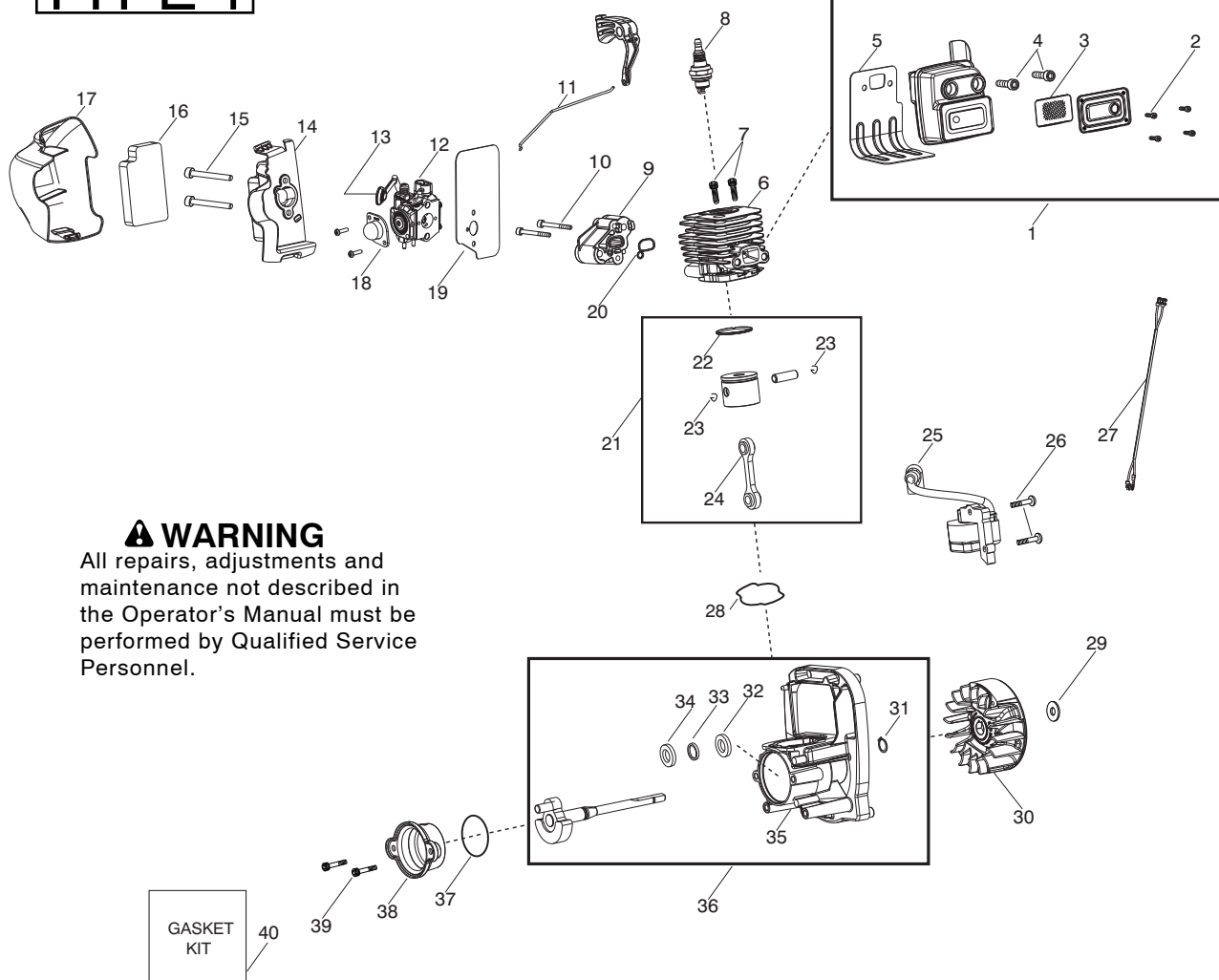
Ref.	Part No.	Description	Ref.	Part No.	Description
1.	530015814	Screw	27.	545148201	Door -Vac
2.	545180501	Assy - Engine Cover	28.	545115601	Spring - Vac Door
3.	530015880	Screw	29.	545144501	Knob - Blower
4.	545134001	Shield - Baffle	30.	530015940	Screw - Vac Handle
5.	545099101	Baffle	31.	545180201	Assy - Scroll LH (Incl. 27,28)
6.	545052401	Hub	32.	530092322	Washer - Lock
7.	545052501	Spring - Pulley	33.	545120701	Blade - Mulch
8.	545050407	Kit - Starter Pulley (Incl. 6,7)	34.	545113601	Assy - Impeller
9.	545054901	Spring -Starter	35.	545113701	Spacer - Flywheel
10.	530054834	Handle - starter	36.	530015197	Nut - Blower Knob
11.	545050416	Kit - Rope	37.	530016386	Screw
12.	545107101	Tube - Starter Rope	38.	545180102	Assy - Scroll RH ( Incl. 17 )
13.	545147801	Handle - RH	39.	545148001	Handle - Vac
14.	545081830	Kit - Switch ( Incl. 15)	40.	545100401	Assy - Fuel Tank (Incl. 41,42,43,44)
15.	545128201	Protector - Switch	41.	530095646	Assy - Fuel Pickup
16.	545137701	Grommet	42.	530069247	Kit - Fuel Line (carb/purge)
17.	545099001	Bearing	43.	530069216	Kit - Fuel Line (tank/purge)
18.	530626605	Nut	44.	530057973	Assy - Fuel Cap w/retainer
19.	530015814	Screw	45.	530016445	Screw - Fuel Tank Retainer
20.	545111501	Ratchet - Cruise Control			
21.	545173101	Washer - Wave			
22.	545081867	Kit - Cruise Control			
23.	545144902	Trigger - Throttle			
24.	545147901	Handle - LH			
25.	530016406	Screw			
26.	530015814	Screw			
				<b>Not Shown</b>	
			✓	115351227	Manual
				527290301	Decal - Warning

✓ = New Part Number For This IPL

★ = Refer to the Service Reference Indicated for more information.(Located at the END of the IPL)

Parts List No. 545164393		<b>Poulan PRO</b> PARTS LIST	MODEL BVM210VS
Date 2/22/10	Replaces 545164393 - 11/04/09		NOTE : Illustration may differ from actual model due to design changes.

# TYPE 1



**⚠ WARNING**  
All repairs, adjustments and maintenance not described in the Operator's Manual must be performed by Qualified Service Personnel.

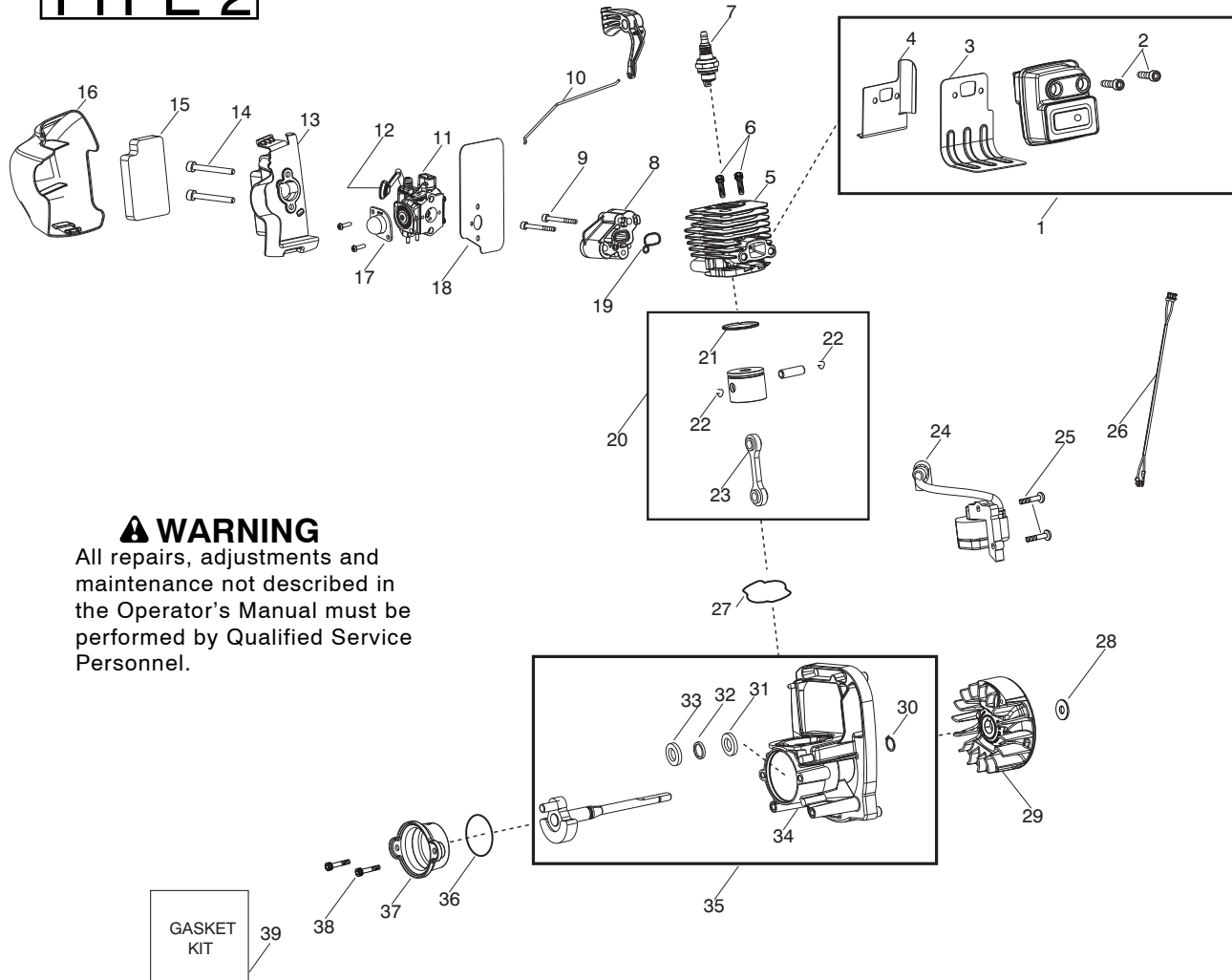
Ref.	Part No.	Description	Ref.	Part No.	Description
1.	545090001	Assy - Muffler (Incl. 2,3,4,5)	21.	545081864	Kit - Piston / Connecting Rod (Incl. 22,23,24)
2.	530015241	Screw	22.	530012472	Ring - Piston
3.	545081845	Kit - Spark Screen	23.	530015162	Retainer - Wrist Pin
4.	530058982	Bolt	24.	545081865	Kit - Assy. Connecting Rod
5.	545081832	Gasket-Muffler (gasket kit)	25.	545158001	Module - Ignition
6.	545115301	Cylinder	26.	530016357	Screw
7.	530015953	Bolt	27.	545127601	Assy - Wire Harness
8.	952030249	Spark Plug (RCJ-6Y)	28.	545081832	O-Ring (Cyl./Crankcase) (gasket kit)
9.	545084901	Adapter - Carb.	29.	530015828	Washer
10.	530016441	Screw	30.	530054115	Assy - Flywheel
11.	545115501	Linkage - Throttle	31.	530015941	Retainer - Crankshaft
12.	545180811	Kit - Carb. Assy (C1U - W45) (Incl. 13,18)	32.	530055728	Bearing - Outer
13.	545135905	Lever- Choke (Yellow)	33.	530019264	Seal
14.	545163401	Base - Airbox	34.	530032125	Bearing - Inner
15.	530016429	Screw	35.	530012582	Assy - Crankcase (Incl. 32,33,34)
16.	545146501	Filter	36.	545102102	Assy - Crankcase & Crankshaft (Incl. 31,35)
17.	545163501	Cover - Air Box Filter	37.	545081832	O-Ring (Rear Plug) (gasket kit)
18.	530035497	Bulb - Purge (walbro 188-16)	38.	530057954	Assy - Rear Plug (Incl. 37)
19.	545081832	Gasket (Carb / Adapter) (gasket kit)	39.	530016386	Screw
20.	545081832	O-Ring (Adapter / Cylinder) (gasket kit)	40.	545081832	Kit - Gasket (Incl. 5,19,20,28,37)

✓ = New Part Number For This IPL

★ = Refer to the Service Reference Indicated for more information. (Located at the END of the IPL)

Parts List No. 545164393		<b>Poulan PRO</b> PARTS LIST	MODEL BVM210VS
Date 2/22/10	Replaces 545164393 - 11/04/09		NOTE : Illustration may differ from actual model due to design changes.

# TYPE 2



**⚠ WARNING**  
All repairs, adjustments and maintenance not described in the Operator's Manual must be performed by Qualified Service Personnel.

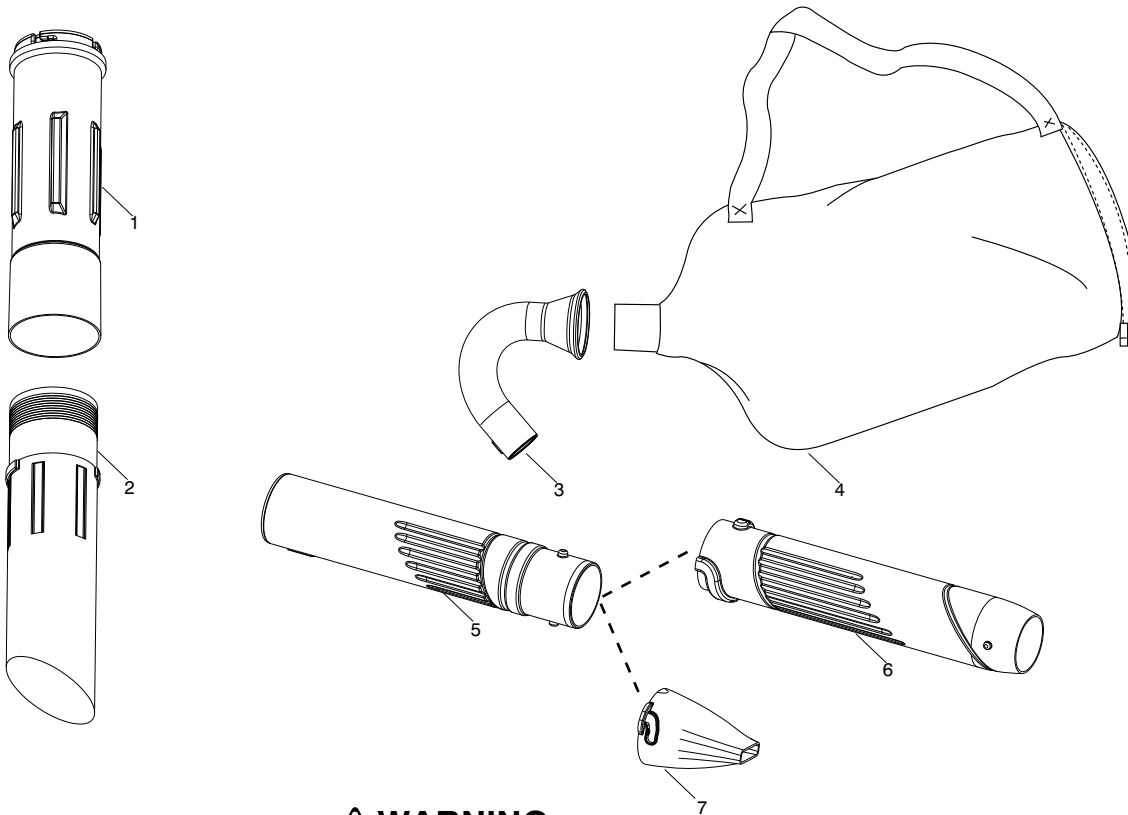
Ref.	Part No.	Description	Ref.	Part No.	Description
1.	525592801	Assy - Muffler (Incl. 2,3,4)	20.	545081864	Kit - Piston / Connecting Rod (Incl. 21,22,23)
2.	530058982	Bolt	21.	530012472	Ring - Piston
3.	545081832	Gasket-Muffler (gasket kit)	22.	530015162	Retainer - Wrist Pin
4.	545098801	Shield - Muffler Heat	23.	545081865	Kit - Assy. Connecting Rod
5.	545115301	Cylinder	24.	545158001	Module - Ignition
6.	530015953	Bolt	25.	530016357	Screw
7.	952030249	Spark Plug (RCJ-6Y)	26.	545127601	Assy - Wire Harness
8.	545084901	Adapter - Carb.	27.	545081832	O-Ring (Cyl/Crankcase) (gasket kit)
9.	530016441	Screw	28.	530015828	Washer
10.	545115501	Linkage - Throttle	29.	545197301	Assy - Flywheel
11.	545180811	Kit - Carb. Assy (C1U - W45) (Incl. 12,17)	30.	530015941	Retainer - Crankshaft
12.	545135905	Lever- Choke (Yellow)	31.	530055728	Bearing - Outer
13.	545163401	Base - Airbox	32.	530019264	Seal
14.	530016429	Screw	33.	530032125	Bearing - Inner
15.	545146501	Filter	34.	530012582	Assy - Crankcase (Incl. 31,32,33)
16.	545163501	Cover - Air Box Filter	35.	545102102	Assy - Crankcase & Crankshaft (Incl. 30,34)
17.	530035497	Bulb - Purge (walbro 188-16)	36.	545081832	O-Ring (Rear Plug) (gasket kit)
18.	545081832	Gasket (Carb / Adapter) (gasket kit)	37.	530057954	Assy - Rear Plug (Incl. 36)
19.	545081832	O-Ring (Adapter / Cylinder) (gasket kit)	38.	530016386	Screw
			39.	545081832	Kit - Gasket (Incl. 3,18,19,27,36)

✓ = New Part Number For This IPL

★ = Refer to the Service Reference Indicated for more information.(Located at the END of the IPL)

<b>Parts List No.</b> 545164393		<b>Poulan PRO</b> PARTS LIST	<b>MODEL</b> BVM210VS
<b>Date</b> 2/22/10	<b>Replaces</b> 545164393 - 11/04/09		<b>NOTE :</b> Illustration may differ from actual model due to design changes.

# TYPE 1,2



### ⚠ WARNING

All repairs, adjustments and maintenance not described in the Operator's Manual must be performed by Qualified Service Personnel.

Ref.	Part No.	Description
1.	545099401	Tube - Upper Vac
2.	530095589	Tube - Lower Vac
3. ✓	575873601	Tube - J
4.	530095564	Assy - Vac Bag
5.	545138001	Tube - Upper Blower
6.	545138101	Tube - Lower Blower
7.	545151201	Nozzle - High Speed