

INSTALLATION INSTRUCTIONS

EQUIPMENT REQUIRED: PULL WIRE (PROVIDED), PLIERS

WIRING ACCESS LOCATION: PU3

DRILL BITS: NONE

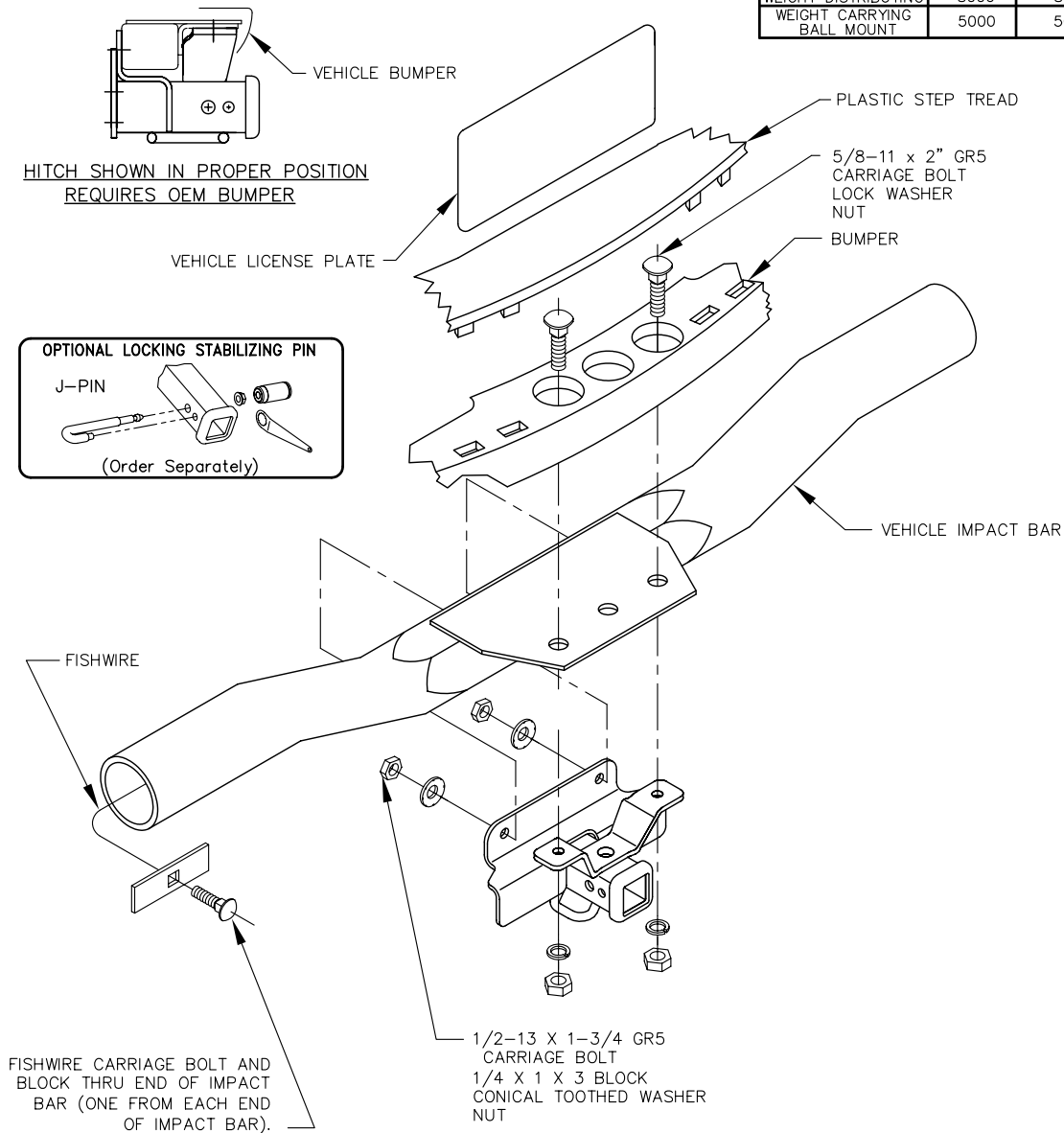
HITCH REQUIRES 5/8" PIN AND CLIP IF STABILIZING PIN IS NOT INSTALLED.

WRENCHES: (TIGHTEN ALL FASTENERS WITH TORQUE WRENCH) 3/4", 15/16"

VEHICLE

11-1-02 AND UP DODGE RAM 1500 PICKUP
DODGE RAM 2500 PICKUP
DODGE RAM 3500 PICKUP**DO NOT EXCEED LOWER OF
TOWING VEHICLE MFR'S RATINGS OR**

HITCH TYPE	MAX GROSS TRLR WT(LB)	MAX TONGUE WT(LB)
WEIGHT DISTRIBUTING	8000	800
WEIGHT CARRYING BALL MOUNT	5000	500

**FIGURE 1**

1. LOWER VEHICLE SPARE TIRE. (IF REQUIRED)
2. SQUEEZE TABS THAT HOLD **CENTER PORTION** OF PLASTIC STEP TREAD TO IMPACT BAR WITH PLIERS (4 PLACES - 2 ON EACH END) AND LIFT STEP TREAD.
3. RAISE HITCH INTO POSITION.
4. INSTALL 5/8 CARRIAGE BOLTS DOWN THRU HOLES BETWEEN BUMPER AND IMPACT BAR. INSTALL CONICAL TOOTHED WASHER AND NUT (HAND TIGHTEN ONLY UNTIL ALL FASTENERS ARE INSTALLED).
5. FISHWIRE 1/2 CARRIAGE BOLTS AND 1/4 X 1 X 3 BLOCKS THRU END OF IMPACT BAR AND INTO HOLES IN BOTTOM SURFACE OF IMPACT BAR. INSTALL CONICAL TOOTHED WASHERS AND NUTS.

TIGHTEN 1/2-13 GR5 FASTENERS TO 75 LB.-FT.

TIGHTEN 5/8-11 GR5 FASTENERS TO 150 LB.-FT.

NOTE: TIGHTENING WILL CAUSE 5/8 CARRIAGE BOLT TO DRAW DOWN INTO IMPACT BAR HOLES. CARRIAGE BOLT MUST BE COMPLETELY SEATED TO IMPACT BAR.

7. RAISE SPARE TIRE. (IF REQUIRED)
8. TAP LIGHTLY ON PLASTIC STEP TREAD TO SECURE TO BUMPER.

THIS PRODUCT COMPLIES WITH SAFETY SPECIFICATIONS AND REQUIREMENTS FOR CONNECTING DEVICES AND TOWING SYSTEMS OF THE STATE OF NEW YORK, V.E.S.C. REGULATION V-5 AND SAE J684.

APPROX WEIGHT (LB.)	FASTENER KIT
14	75151F

NOTE: Check hitch frequently, making sure all fasteners and ball are properly tightened. If hitch is removed, plug all holes in trunk pan or other body panels to prevent entry of water and exhaust fumes. A hitch or ball which has been damaged should be removed and replaced. Observe safety precautions when working beneath a vehicle and wear eye protection. Follow car maker's specs for maximum trailer weight and tongue weight. Do not cut access or attachment holes with a torch.

TOWING PRODUCTS
Plymouth, Michigan