

LIMITED WARRANTY

The Manufacturer warrants to the original consumer purchaser that this product as manufactured is free from defects in materials and workmanship. For a period of two (2) years from date of purchase by the original consumer purchaser, we will repair or replace, at our option, without charge for parts or labor incurred in replacing parts, any part which we find to be defective due to materials or workmanship. This Warranty is subject to the following limitations and exclusions.

1. This warranty does not apply to the engine, transaxle/transmission components, battery (except as noted below) or components parts thereof. Please refer to the applicable manufacturer's warranty on these items.
2. Transportation charges for the movement of any power equipment unit or attachment are the responsibility of the purchaser. Transportation charges for any parts submitted for replacement under this warranty must be paid by the purchaser unless such return is requested by the manufacturer.
3. Battery Warranty: On products equipped with a Battery, we will replace, without charge to you, any battery which we find to be defective in manufacture, during the first ninety (90) days of ownership. After ninety (90) days, we will exchange the Battery, charging you 1/12 of the price of a new Battery for each full month from the date of the original sale. Battery must be maintained in accordance with the instructions furnished.
4. The Warranty period for any products used for rental or commercial purposes is limited to 45 days from the date of original purchase.
5. This Warranty applies only to products which have been properly assembled, adjusted, operated, and maintained in accordance with the instructions furnished. This Warranty does not apply to any product which has been subjected to alteration, misuse, abuse, improper assembly or installation, delivery damage, or to normal wear of the product.
6. Exclusions: Excluded from this Warranty are belts, blades, blade adapters, normal wear, normal adjustments, standard hardware and normal maintenance.
7. In the event you have a claim under this Warranty, you must return the product to an authorized service dealer.

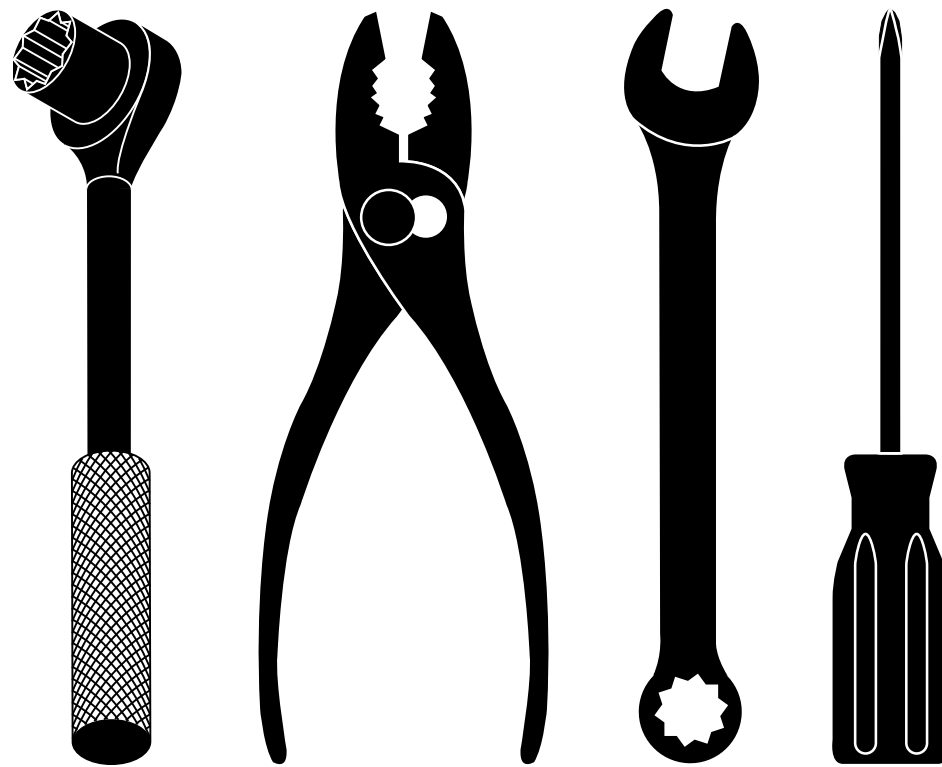
Should you have any unanswered questions concerning this Warranty, contact:

HOP
Customer Service Department
9335 Harris Corners Parkway
Charlotte, NC 28269 USA

In Canada contact:
HOP
Customer Service Department
5855 Terry Fox Way
Mississauga, Ontario L5V 3E4

giving the model number, serial number and date of purchase of your product and the name and address of the authorized dealer from whom it was purchased. THIS WARRANTY DOES NOT APPLY TO INCIDENTAL OR CONSEQUENTIAL DAMAGES AND ANY IMPLIED WARRANTIES ARE LIMITED TO THE SAME TIME PERIODS STATED HEREIN FOR OUR EXPRESSED WARRANTIES. Some areas do not allow the limitation of consequential damages or limitations of how long an implied Warranty may last, so the above limitations or exclusions may not apply to you. This Warranty gives you specific legal rights, and you may have other rights which vary from locale to locale. This is a limited Warranty within the meaning of that term as defined in the Magnuson-Moss Act of 1975.

Jonsered®



REPAIR PARTS MANUAL MODEL NUMBER J675AWD MFG. ID. NO. 96142012300 Rotary Lawn Mower

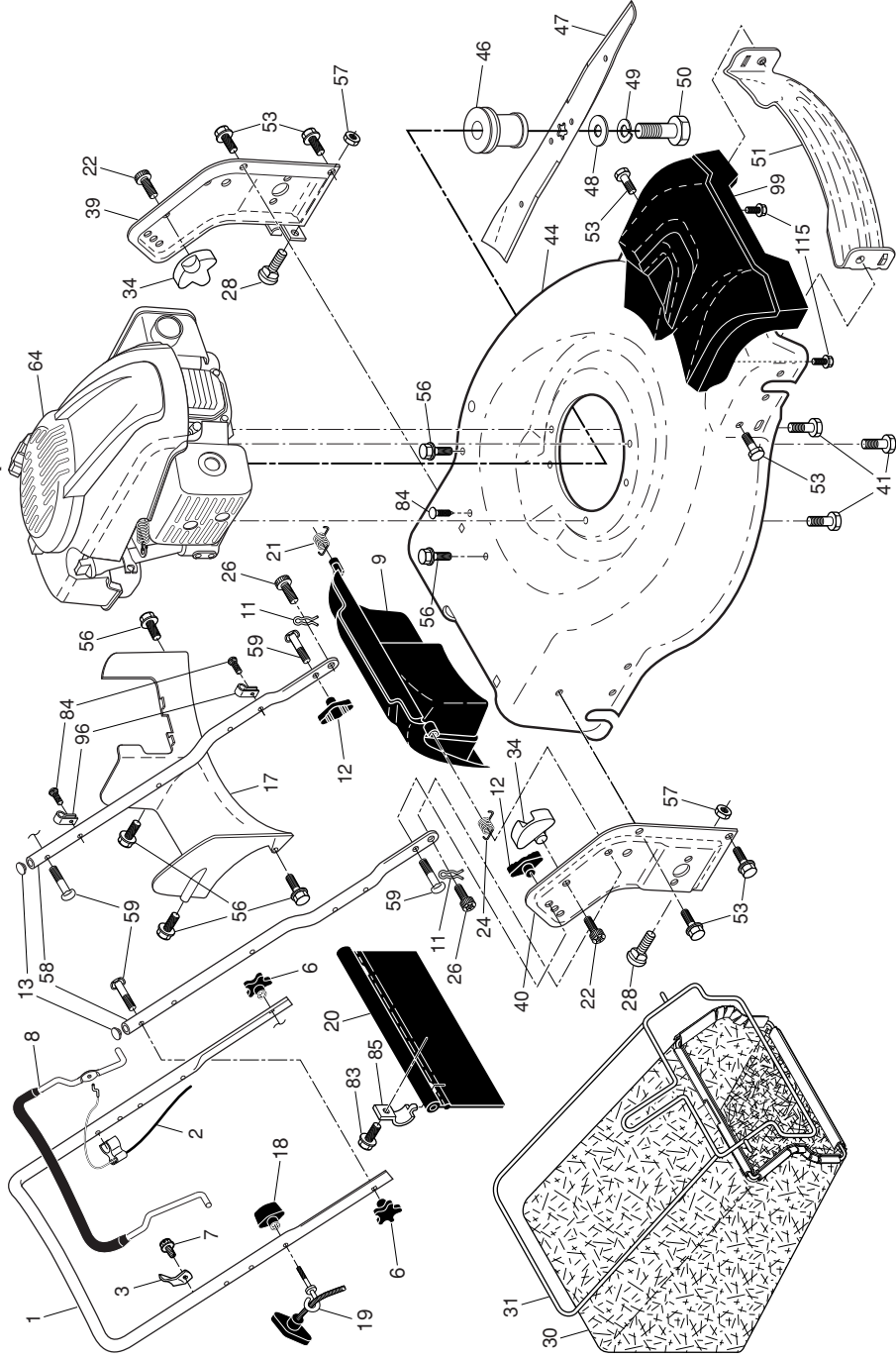
For Parts and Service or Technical Assistance, call 1-800-487-5951

NOTE: Gasoline containing up to 10% ethanol (E10) is acceptable for use in this machine. The use of any gasoline exceeding 10% ethanol (E10) will void the product warranty.

586 29 26-27 01.22.14 BY

Printed in U.S.A.

Jonsered®



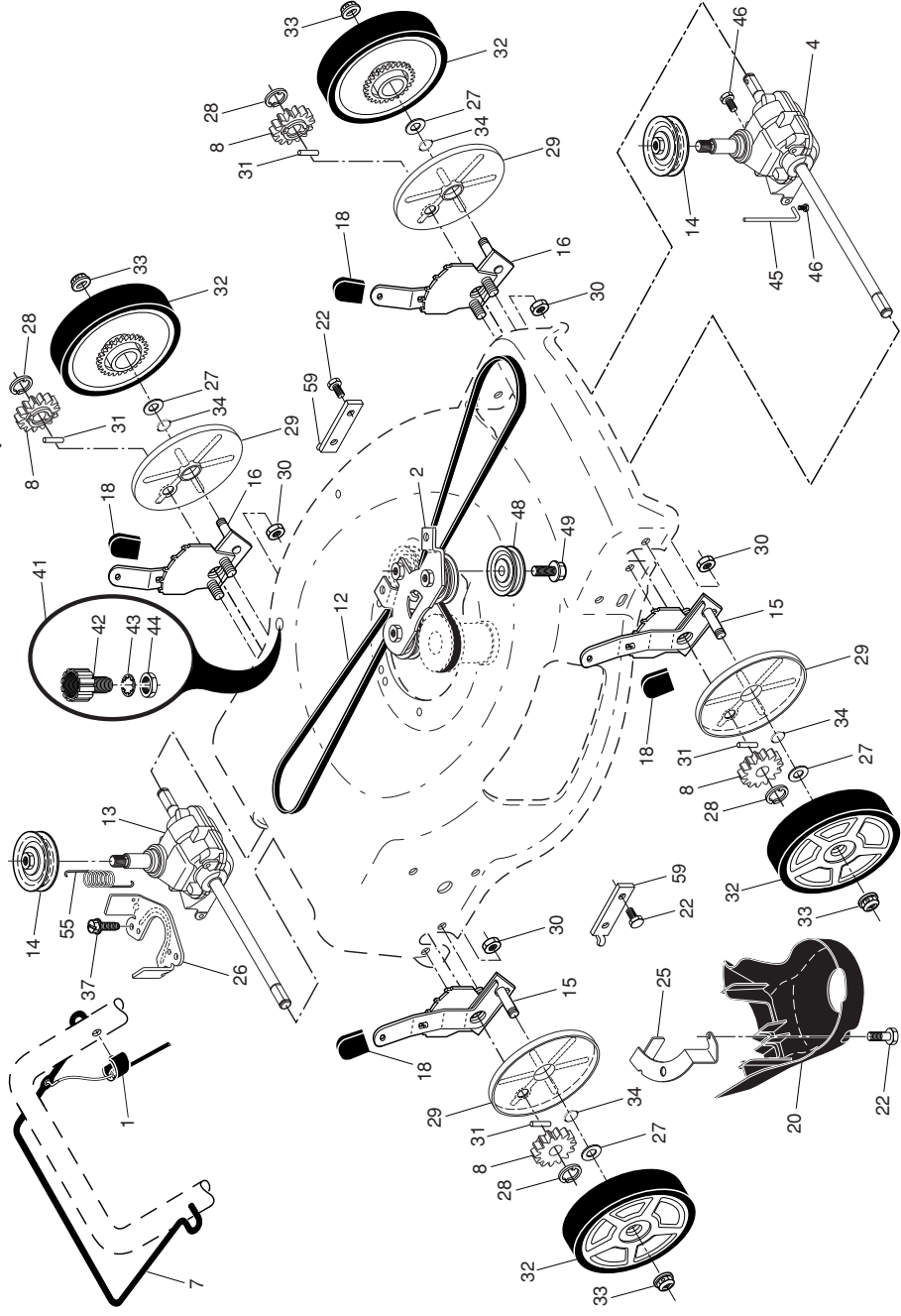
SERVICE NOTES

JONSERED LAWN MOWER - MODEL NUMBER J675AWD (MFG. ID. NUMBER 96142012300)

KEY PART NO. NO.	DESCRIPTION	KEY PART NO. NO.	DESCRIPTION
1	532 42 77-38 Upper Handle Assembly	41	532 15 04-06 Screw, Dogpoint 3/8-16 x 1-1/8
2	532 44 03-85 Cable, Engine Zone Control	44	581 70 83-39 Kit, Lawn Mower Housing
3	532 43 00-34 Bracket, Upstop	46	581 85 15-01 Blade Adapter
6	532 18 23-98 Handle Knob, Star	47	532 42 04-63 Blade, 22"
7	532 17 88-48 Screw #10-16 x 5/8	48	532 85 10-74 Washer, Hardened
8	581 49 74-01 Control Bar, Overmolded	49	532 85 02-63 Washer, Helical
9	585 84 76-01 Rear Door Assembly	50	532 85 10-84 Bolt, Hex Head, Grade 8 3/8-24 x 1-3/8
11	532 42 55-75 Hairpin, Door/Handle Pivot	51	532 43 05-99 Front Baffle
12	532 19 19-38 Handle Knob, Standard	53	817 00 05-10 Screw
13	532 43 75-16 Plug, Lower Handle Bar	56	817 41 13-12 Screw, Hex Washer Head #13 x 3/4
17	581 78 21-01 Rear Baffle	57	532 15 53-77 Nut, Hex
18	581 91 26-01 T-Knob	58	532 44 11-96 Lower Handle
19	581 90 21-01 Rope Guide	59	532 19 15-74 Handle Bolt
20	532 44 45-01 Rear Skirt	64	Engine, Kohler, Model Number XT675-3038 (For engine service and replacement parts, call Kohler at 1-800-544-2444)
21	532 41 99-49 Spring, Rear Door, LH, Black	83	532 75 00-97 Screw, Hex Washer Head
22	532 14 18-41 Screw, Panhead, Torx #20	84	532 42 81-24 Fastener, Push
24	532 41 99-48 Spring, Rear Door, RH, Grey	85	532 43 45-30 Mounting Bracket, Rear Skirt
26	532 41 99-45 Screw, Rear Door/Handle Pivot	96	532 19 79-91 Clip, Cable
28	872 25 05-05 Bolt, Carriage 5/16-18 x 5/8	99	580 99 15-07 Front Shroud Assembly
30	580 94 73-02 Grassbag	115	532 17 52-62 Screw
31	585 05 47-02 Frame, Grass Catcher	--	115 66 23-96 Operator's Manual, English / Spanish
34	532 43 81-34 Bracket, Grassbag	--	586 29 26-27 Repair Parts Manual
39	585 90 07-02 Handle Bracket, LH		
40	585 90 08-02 Handle Bracket, RH		

NOTE: All component dimensions given in U.S. inches. 1 inch = 25.4 mm. **IMPORTANT:** Use only Original Equipment Manufacturer (O.E.M.) replacement parts. Failure to do so could be hazardous, damage your lawn mower and void your warranty.

JONSERED LAWN MOWER - MODEL NUMBER J675AWD (MFG. ID. NUMBER 96142012300)



JONSERED LAWN MOWER - MODEL NUMBER J675AWD (MFG. ID. NUMBER 96142012300)

KEY PART NO. NO.	DESCRIPTION	KEY PART NO. NO.	DESCRIPTION
1	Drive Control Assembly (Includes Cable)	28	E-Ring 7/16
2	Mounting Bracket, Idler Pulleys	29	Cover, Dust, Wheel
4	Gearcase Assembly, Front, Complete	30	Nut, Hex
7	Bar, Drive Control	31	Pawl, Drive
8	Pinion	32	Wheel & Tire Assembly
12	Belt, Drive	33	Nut, Flangelock 3/8-16
13	Gearcase Assembly, Rear, Complete	34	O-Ring
14	Pulley, Drive	37	Screw, Hi-Lo Thread, #12 x 5/8
15	Wheel Adjuster Assembly, RH	41	Kit, Water Washout Assembly
16	Wheel Adjuster Assembly, LH	42	Fitting, Water Washout
18	Knob, Wheel Adjuster	43	Washer, Lock, Internal Tooth
20	Debris Shield	44	Locknut, Hex, with O-Ring
22	Screw, Hex Head 1/4-20	45	Belt Keeper, Gearcase, Front
25	Mounting Bracket, Debris Shield	46	Screw
26	Belt Keeper, Gearcase, Rear	48	Pulley Assembly, Idler
27	Washer, Flat	49	Screw, Mounting, Idler Pulley
		55	Spring, Tension
		59	Support Bracket

NOTE: All component dimensions given in U.S. inches. 1 inch = 25.4 mm. **IMPORTANT:** Use only Original Equipment Manufacturer (O.E.M.) replacement parts. Failure to do so could be hazardous, damage your lawn mower and void your warranty.