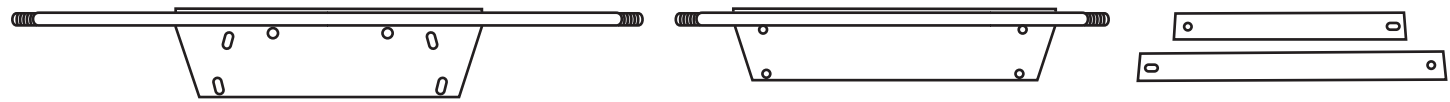


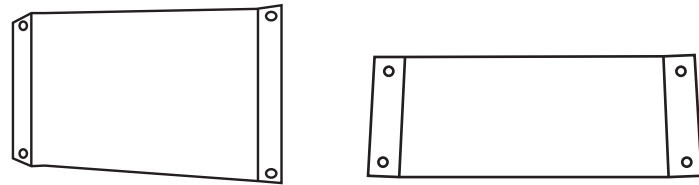
# BIG-4 Wheeler COMPONENTS



Part A: Front Wheel Bracket

Part B: Back Wheel Bracket

Part C: Support Straps

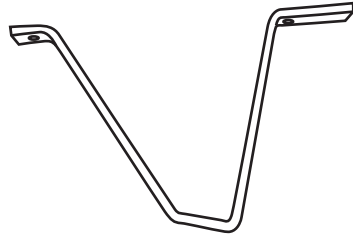


Part D: Front Support Plate

Part E: Back Support Plate



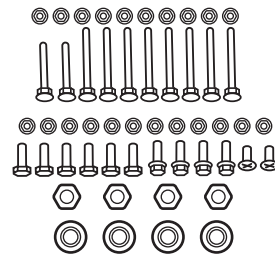
Part F: Front Bump Bracket



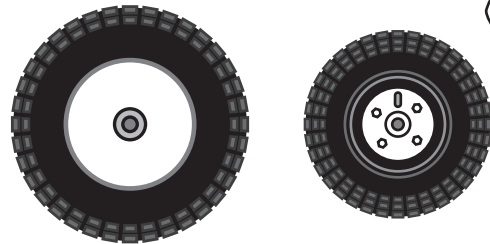
Part G: Leg Supports (x2)



Part H: Handles (x2)



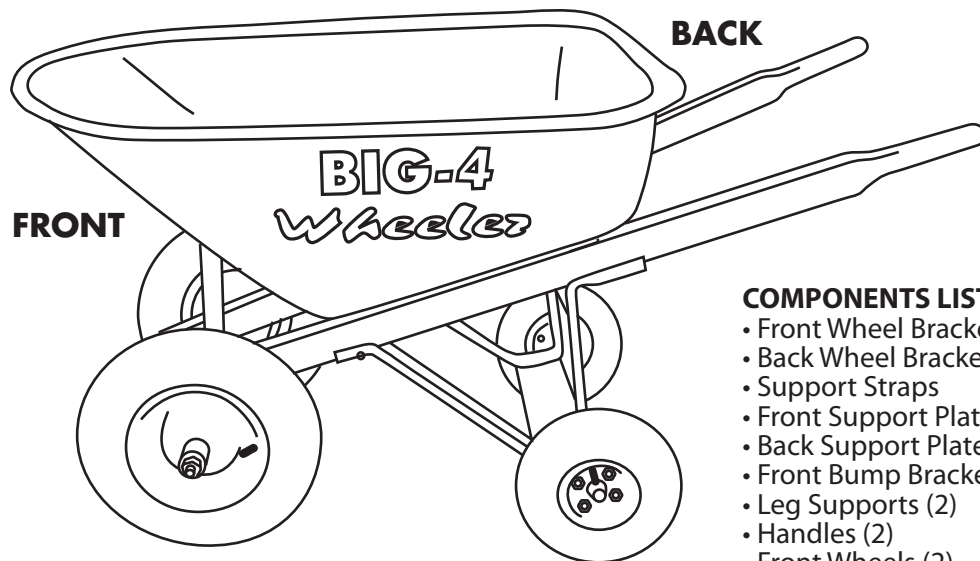
Part I: Hardware



Part J: Front Wheels (x2) Part K: Back Wheels (x2)



Part L: 8 or 10 cubic ft Tray



FRONT

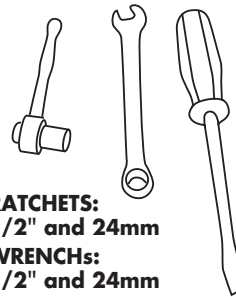
BACK

ASSEMBLED BIG-4 WHEELER

### COMPONENTS LIST

- Front Wheel Bracket
- Back Wheel Bracket
- Support Straps
- Front Support Plate
- Back Support Plate
- Front Bump Bracket
- Leg Supports (2)
- Handles (2)
- Front Wheels (2)
- Back Wheels (2)
- 6 cubic ft Tray

### TOOLS NEEDED



- RATCHETS: 1/2" and 24mm
- WRENCHS: 1/2" and 24mm
- SCREWDRIVER

- Hardware:
  - 3" round head bolts : 8pcs
  - 2-1/4" round head bolts : 2pcs
  - 1" hex bolt with washer : 10pcs
  - 1" round head bolts : 2pcs
  - Nuts: 22pcs
  - Big nuts : 4pcs
  - Big washer: 4pcs
  - Rubber washer : 4pcs

# BIG-4 Wheeler

8 and 10 Cubic Foot Wheelbarrow

Let the **BIG-4 Wheeler DO THE WORK FOR YOU!**  
Just Push it! **NO LIFTING or BALANCING!**

**ASSEMBLY INSTRUCTIONS**  
and component list

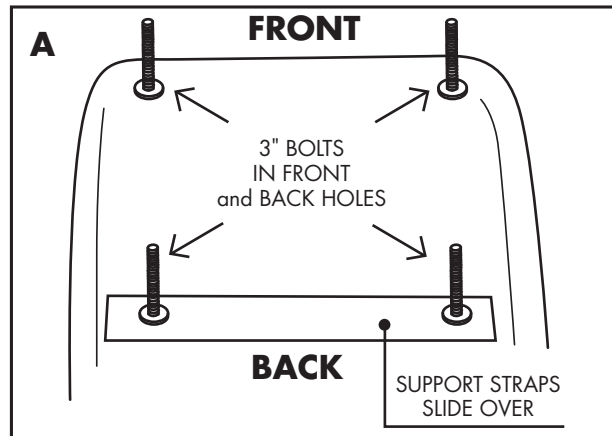


**WARNING: Not a toy**

**LITTLE-4 Wheeler**

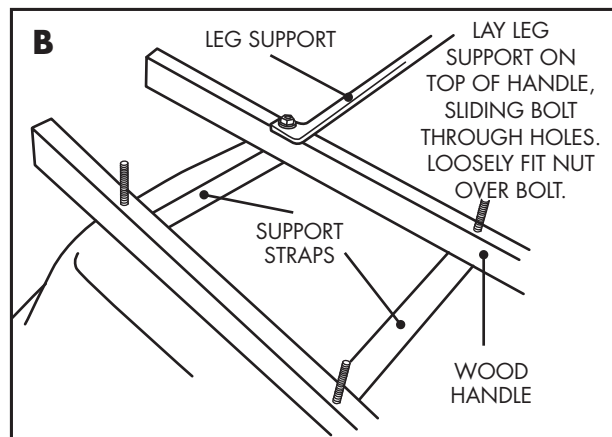
Distributed by:  
**Custom Quest**  
[www.custom-quest.com](http://www.custom-quest.com)  
866-346-2250  
© 2012 Made in China

# BIG-4 Wheeler ASSEMBLY INSTRUCTIONS



**STEP 1**  
Insert four 3-inch flat head bolts to the inside of tray through to the bottom of tray, and attach rubber washer to the bolts on the bottom side of tray to keep bolts in place while assembling (Fig. A)

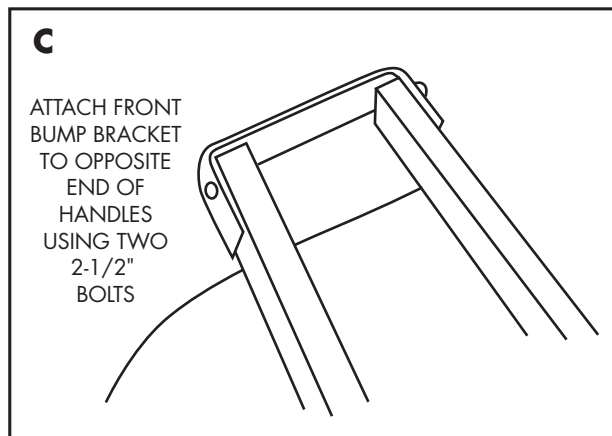
**STEP 2**  
Turn barrow upside down and lay support straps, handles and leg supports over bolts and loosely fit nut over bolt. (Repeat other handle side) (Fig. B)



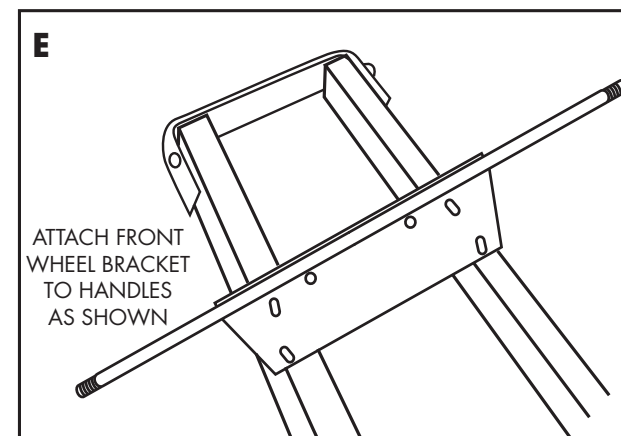
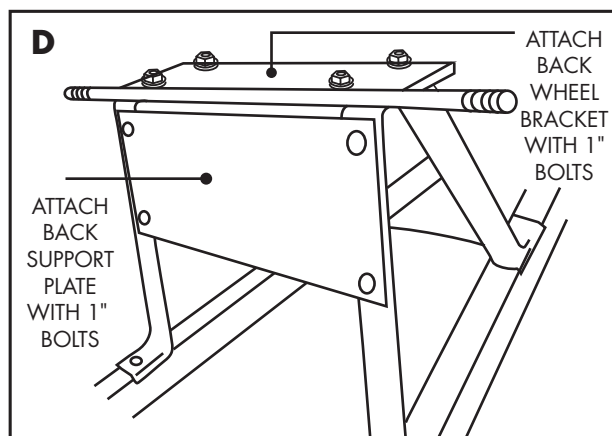
**STEP 3**  
Attach front bump bracket with the only two 2-1/2" bolts as seen in illustration. Tighten. (Fig. C)

**STEP 4**  
Attach back wheel bracket to leg supports with 1" bolts as seen in illustration. Do not tighten. (Fig. D)

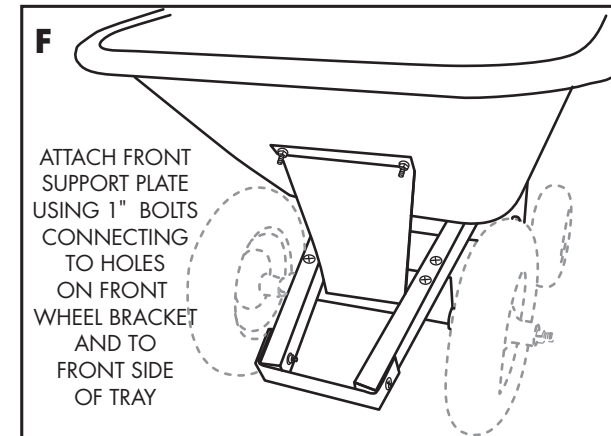
**STEP 5**  
Attach back support plate with 1" bolts as seen in illustration. (Fig. D) **Now tighten steps 2, 4, 5.**



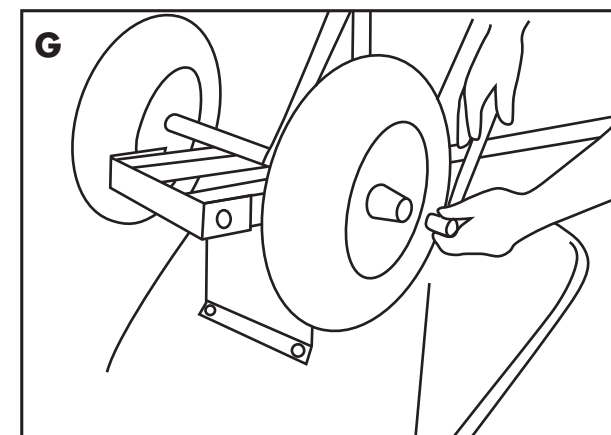
**STEP 6**  
Attach front wheel bracket with four 3" bolts (align slotted bolt holes with holes in handle). Slots are there for adjustments to the front wheels to make sure barrow rolls straight. If barrow tends to roll right or left, loosen bolts slightly and bump front wheel bracket to the right or left and tighten. Roll and test to assure that barrow rolls straight. (Fig. E)



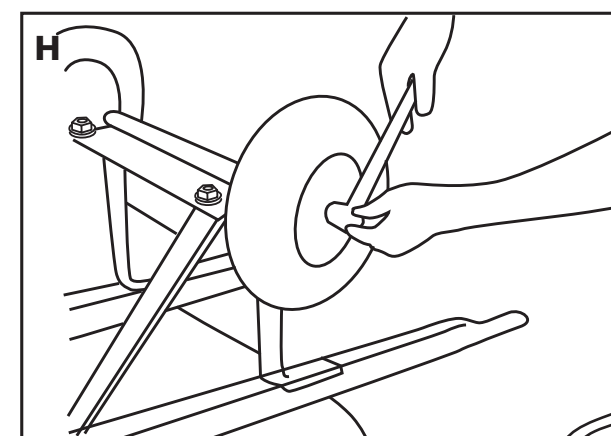
# BIG-4 Wheeler ASSEMBLY INSTRUCTIONS



**STEP 7**  
Attach front support plate with two 1" bolts (with barrow upright) connecting to the extra holes on the front wheel bracket (as seen in illustration). Then at the top attach the only two flat 1" bolts from the inside of barrow through to bracket. Tighten. (Fig F)

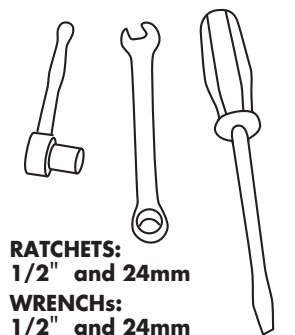


**STEP 8**  
Attach the two front wheels using no washers, just the nut. Tighten until wheel stops turning, then back up nut slightly until wheel rolls freely. (Fig G)



**STEP 9**  
Attach the two rear wheels using a washer on the inside and the outside of wheel for extra stability. Tighten until wheel stops turning, then back up nut slightly until wheel rolls freely. (Fig H) Inflate wheels til firm. Do not over inflate.

## TOOLS NEEDED



- RATCHETS: 1/2" and 24mm
- WRENCHS: 1/2" and 24mm
- SCREWDRIVER

