

TRAVELLER®

Distributed By:
TRACTOR SUPPLY COMPANY
5401 VIRGINIA WAY
BRENTWOOD, TN 37027
For customer support, call: 1-888-376-9601
www.TractorSupply.com
MADE IN CHINA

Aluminum Cargo Carrier



INSTALLATION INSTRUCTION

Sku # 1074085

Operation Instruction Manual

Please read and save these instructions. Read through this owner's manual carefully before using product. Protect yourself and others by observing all safety information and warnings. Failure to comply with instructions could result in personal injury and/or damage to product or property. Please retain instructions for future reference.

Safety Instructions

These safety instructions have been provided for the safe use and operation of this product.

WARNING! Read all instructions. Failure to follow all instructions listed below may result in serious injury.

1) Work area

- a) Make sure the area in which the Carrier is assembled is clean and well lit. Cluttered or dark areas invite accidents.
- b) Keep children and bystanders away while assembling the Carrier.

2) Personal safety

- a) Stay alert, watch what you are doing and use common sense when using the Hauler. Do not use the Carrier while you are tired or under the influence of drugs, alcohol or medication. A moment of inattention while using the Hauler may result in serious personal injury.

3) Hauler use and care

- a) Use the correct Carrier for your application. The correct Carrier will do the job better and safer at the rate for which it was designed.
- b) Store the Carrier out of reach of children and do not allow people unfamiliar with the Carrier or these instructions to use the Carrier. Use of Carrier by untrained people may not be safe.
- c) Maintain the Carrier. Check for misalignment or binding of moving parts, breakage of parts and any other condition that may affect the Carrier's operation. If damaged, have the Carrier repaired before use. Many accidents are caused by poorly maintained equipment.

- d) Use this Carrier in accordance with these instructions and in the manner intended for this particular type of product, taking into account the area conditions and the task to be performed. Use of this Carrier for operations different from those intended could result in a hazardous situation.

4) Service and replacement

The service and replacement parts for this product are available by placing an order. For customer support, please call: 1-888-376-9601.

Aluminum Cargo Carrier

Using the aluminum cargo Carrier

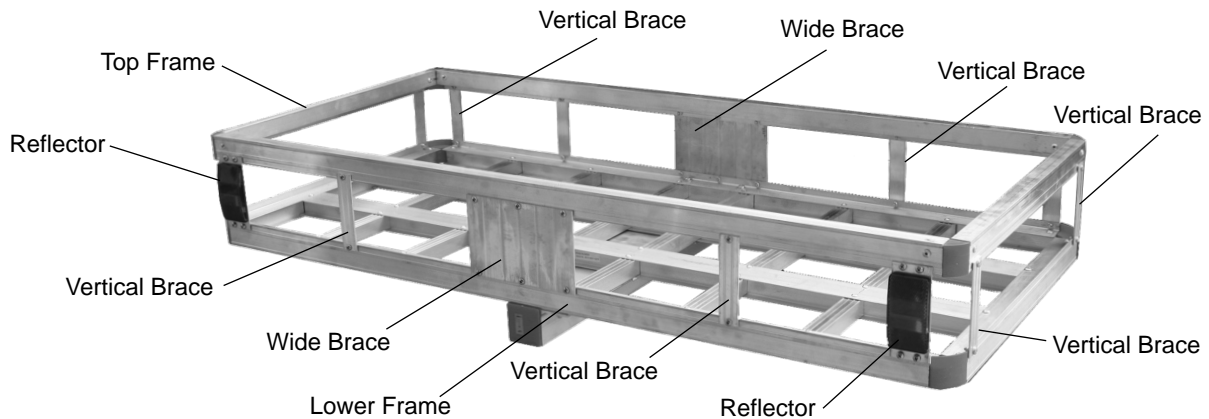
- 1)** The Cargo Carrier must be attached to a 2" x 2" Class II or higher hitch receiver. The hitch must be properly installed by a qualified service technician and be certified to support the weight of this Cargo Carrier and its contents (500 Lbs. capacity).
- 2)** This Cargo Carrier is designed to haul firewood, coolers and other similar loads. Do not modify the Carrier and do not use this product for purposes that it was not designed for.
- 3)** Never exceed the maximum weight capacity of 500 Lbs.
- 4)** Be aware of the danger of "dynamic loading". This situation arises when a load is dropped onto the Carrier, resulting in a short term excessive load. Dynamic loading can result in damage and failure of the Carrier and/or hitch receiver, and personal injury to the person loading the Carrier.
- 5)** Never load people or animals into the Cargo Carrier. Keep children and spectators well clear when loading and using this product.
- 6)** Adhere to all Department of Transportation (D.O.T.) requirements when using this product. Use ropes and tie downs to securely hold all cargo in place.
- 7)** For the vehicle that will support the Cargo Carrier, read all pertinent vehicle instructions and warnings provided in the owner's manual. Make sure the vehicle's engine is OFF, with parking brake set, before loading or unloading the Cargo Carrier.
- 8)** Weight inside the Cargo Carrier should be evenly distributed, with heavier items positioned towards the center of the Carrier.
- 9)** Note the position of the vehicle's exhaust pipes before setting up the Cargo Carrier. Make sure exhaust pipes are not in close proximity of the Cargo Carrier; flammable goods in the Cargo Carrier could catch on fire due to heat from exhaust. If this risk exists on your vehicle, do not use the Cargo Carrier.
- 10)** Never exceed the maximum tongue rating of your trailer hitch.
Vehicle Hauling Capacity: Your hauling weight may be limited by your vehicle's suspension to carry a load. Not recommended for hitches less than 12" from the ground to the bottom of the hitch without use of a hitch riser adapter. Some vehicles may require air shocks or heavier springs to stiffen up the suspension to prevent sagging.
- 11)** Wear ANSI-approved safety goggles and heavy-duty work gloves during installation, loading, or unloading.
- 12)** Keep Carrier clean and dry.
- 13)** This product is not a toy. Keep it out of reach of children.
- 14)** The warnings, cautions, and instructions discussed in this instruction manual cannot cover all possible conditions and situations that may occur. It must be understood by the operator that common sense and caution are factors which cannot be built into this product, but must be supplied by the operator.

Specification

Maximum Weight Capacity	350 lb. for Class II, 500 lb. for Class III receivers
Construction	Aluminum
Overall Dimension	49" x 33-3/4" x 9-1/2"
Inside Platform	47-1/2" x 20-15/32" x 5-7/8"
For use with	2" x 2" Class II or Higher Hitch Receivers
Safety Reflectors	Included

Aluminum Cargo Carrier

Assembling the Cargo Carrier



1) Refer to picture above of an already assembled Carrier, and to the Assembly Diagram in the next page of this manual.

2) Place Lower Frame (3) on the ground (hitch tube (1) is on bottom). Top Frame (2) is positioned above, and parallel to the Lower Frame as shown above. Connect the Top Frame and Lower Frame with two Wide Braces (5) using three Bolts (9) and three Nuts (10) on top and bottom of Wide Braces.

3) Further support the Top Frame and Lower Frame by attaching the 10 Vertical Braces (4). Use Bolts (9) and Nuts (10) to secure Vertical Braces in place.

4) Put two Reflectors (6) in place (reflective side facing the rear of Cargo Carrier) using Bolts (9) and Nuts (10).

5) Secure hitch tube(1) to Lower Frame with eight Bolt (11), eight Nuts (12) and eight Washers(13).

6) With all components now assembled make sure all hardware is securely tightened.

7) To place the Cargo Carrier on the vehicle's hitch receiver:

a) First remove the Cotter Pin (8) attached to the Hitch Pin (7).

b) With a helper, lift the empty Cargo Carrier and slide the open end of the Hitch Tube (1) into the vehicle's 2" x 2" hitch receiver.

c) Align the hole openings on hitch receiver and Hitch Tube (1), and put the Hitch Pin (7) in place. Secure Hitch Pin with the Cotter Pin (8).

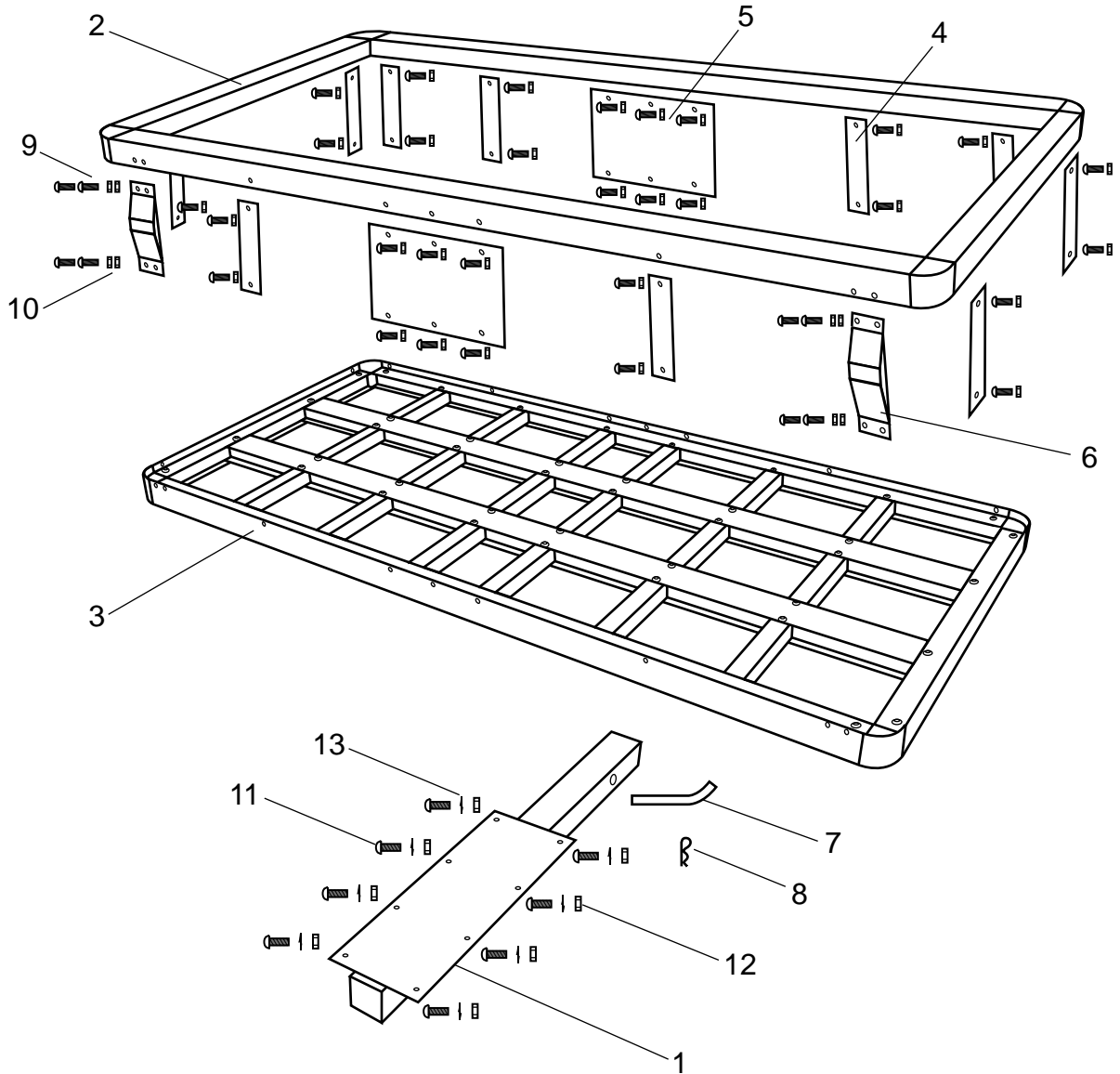
8) Load the Cargo Carrier as needed. Use ropes and tie downs to securely hold all cargo in place.

▲ WARNING

The Cargo Carrier must be attached to a 2" x 2" Class II or higher hitch receiver. Do not exceed the 500 lb. maximum weight capacity. Weight inside the Cargo Carrier should be evenly distributed, with heavier items positioned towards the center of the Carrier.

Aluminum Cargo Carrier

Assembly Diagram



Parts list

PART #	DESCRIPTION	QTY	PART#	DESCRIPTION	QTY
1	Hitch Tube	1	8	Cotter Pin	1
2	Top Frame	1	9	Bolt M5 x 12	40
3	Lower Frame	1	10	Nut M5	40
4	Vertical Brace	10	11	Bolt M6 x 45	8
5	Wide Brace	2	12	Nut M6	8
6	Reflector	2	13	Washer	16
7	Hitch Pin	1			

Aluminum Cargo Carrier

Maintaining the Cargo Carrier

- Check the condition of the Cargo Carrier and the vehicle's hitch receiver before each use. Make sure all components are in good condition. If the Cargo Carrier or hitch receiver become damaged through accident, or if any weld damage is noted, the product should be replaced. Check to make sure that all hardware is tightly secured in place.
- Clean the Carrier after each use. Make sure dirt, oil, grease, and debris are not on the Carrier.

▲ WARNING

Procedures not specifically explained in this manual must be performed only by a qualified technician. To prevent serious injury: Remove load from the Carrier before performing any maintenance or service. Do not use damaged equipment. If the Hauler is damaged, have the problem corrected before further use.