

### To install the oil filter/battery heaters:

1. Do not begin work until unit has cooled completely. Open roof. Put unit into 'OFF' mode and remove the 7.5A fuse. Disconnect (at the transfer switch) any utility inputs to the unit.
2. Remove front panel. Remove fasteners securing control panel cover and set aside (Figure 1).
3. Disconnect and remove the battery. Note: Disconnect negative (black) cable first.
4. Using a clean towel, wipe the bottom of the battery to remove any dirt, oil, or other contaminants. Install battery heater by placing underneath battery (Figure 2).
5. Drain oil, then remove engine oil filter. Take care and clean up any spilled oil.  
**Hot oil may cause burns. Allow engine to cool before draining oil. Avoid prolonged or repeated skin exposure with used oil. Thoroughly wash exposed areas with soap.**
6. Install new oil filter. Wipe filter to remove any dirt, oil, etc. Fill engine with oil to full mark on dipstick. Refer to your owner's manual to determine the proper oil weight (fully synthetic 5W30, conventional 10W30, etc.) for the environmental temperature range your generator will be operating in.
7. Install oil filter heater by sliding over filter with lead wires oriented away from engine (Figure 3).
8. Some units may already be equipped with accessory connectors to plug in both heaters (figure 4). If your unit is equipped, plug in heaters and skip to Step 13. If accessory connectors are not present, proceed to Step 9.
9. Run one harness extension connector to battery heater and plug in.
10. Run the other harness extension connector through engine divider panel with the main wire harness, tie wrapping to the main harness for strain relief. Run connector underneath engine, tie wrapping wire for strain relief (Figure 3). Note: Leave enough slack to be able to remove heater for oil changes.
11. Plug harness extension wires into 240 VAC Input Sense terminal block, N1 and N2 (Figure 5). BOTH HEATERS REQUIRE 240 VAC TO OPERATE. Note: It does not matter which wire goes into N1 or N2.
12. Check harness extension routing to ensure wires will not be pinched or cut. Use tie wraps where necessary.
13. Reconnect battery, connecting positive (red) cable first.
14. Replace control panel cover and secure with fasteners removed in Step 2. Replace front panel, 7.5A fuse and reconnect utility inputs to unit at transfer switch. Set unit to desired mode and close roof.

**Any attempt to crank or start the engine before it has been properly serviced with the recommended oil may result in an engine failure.**

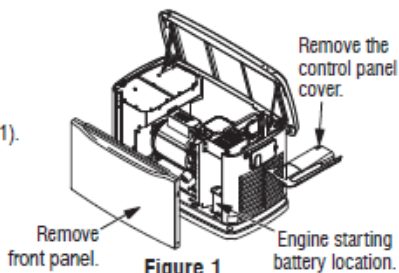


Figure 1

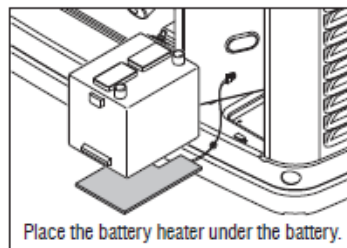


Figure 2

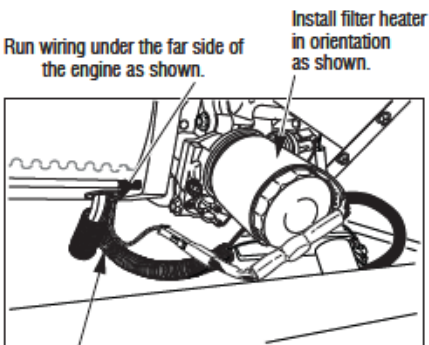
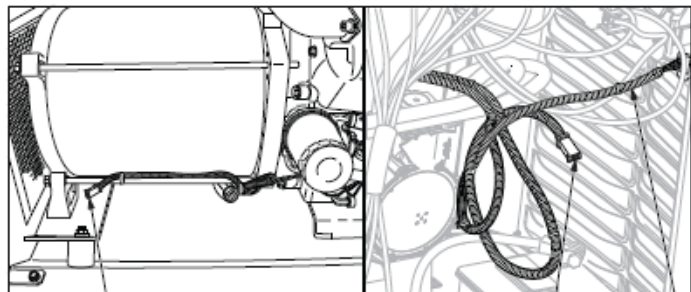


Figure 3



The accessory wire with connector for the oil filter heater would be tie wrapped to the lower stator bolt if present.

The accessory wire with connector for the battery heater would be tie wrapped to the LED wire in the battery compartment if present.

Figure 4

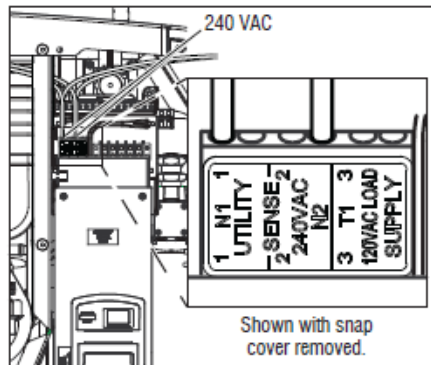


Figure 5