

60T Lawn Roller

If there are any missing parts please call 1-800-652-2321.

OPERATION

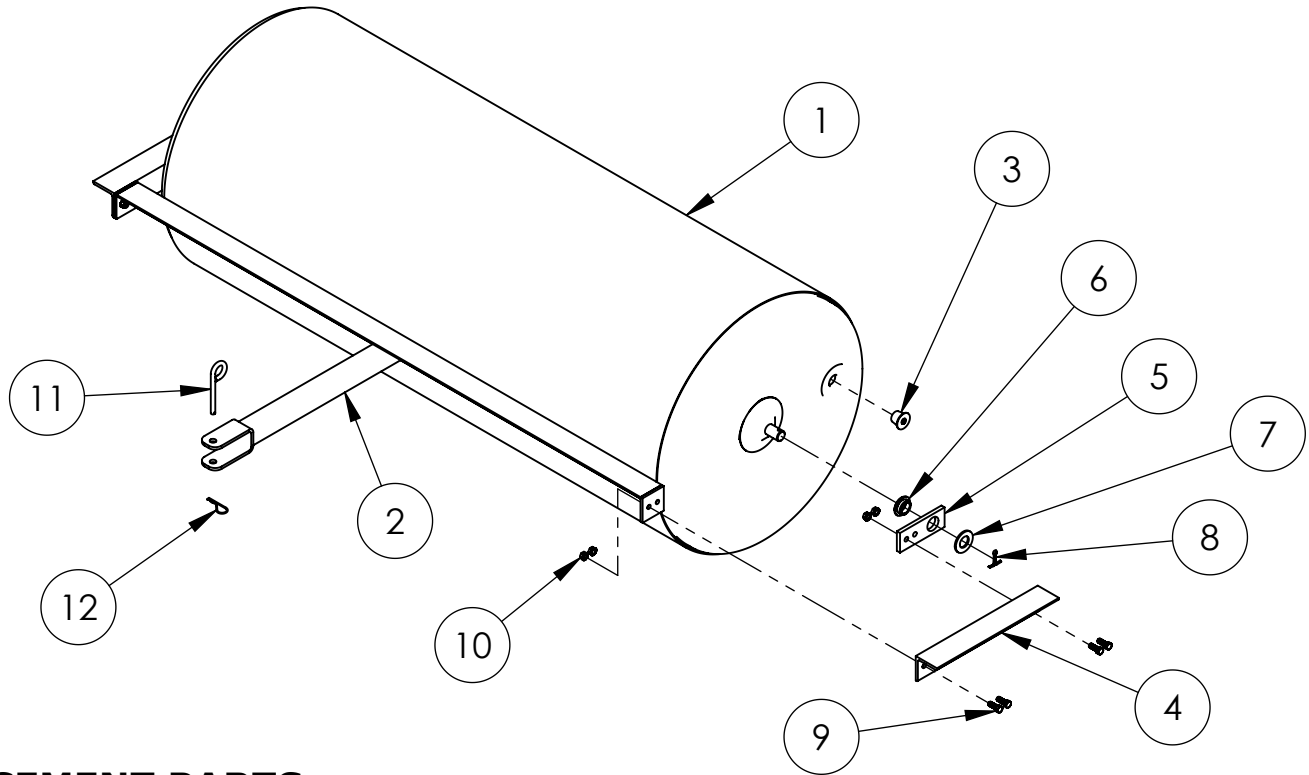
This Lawn Roller weighs approximately 1,150 pounds when filled with water. The Lawn Roller must be drained at temperatures below 32°F (0°C) to prevent damage.

Always check capacity of towing vehicle to safely tow and stop roller.

Never use roller up and down slopes, always work across or diagonally.

ASSEMBLY INSTRUCTIONS

1. Attach axle bars (5) to side angles (4) using 3/8" bolts (9) and 3/8" nuts (10).
2. Slide side bars over axle with the flanges of the bearing towards the inside of the roller head, add washers (7) and lock in place by inserting and spreading ends of cotter pins (8).
3. Attach hitch assembly (2) to side bars using 3/8" bolts (9) and 3/8" nuts (10).



REPLACEMENT PARTS

ITEM NO.	PART NUMBER	DESCRIPTION	QTY.
1	6000121	DRUM, ROLLER	1
2	6000123	HITCH ASSEMBLY	1
3	50401	PLUG, FLUSH	1
4	6000135	ANGLE, SIDE	2
5	6000136	BAR, AXLE	2
6	304281	BUSHING	2
7	300076	WASHER, 1" SAE	2
8	300087	COTTER PIN, 3/16" X 1-1/2"	2
9	3000511	3/8-16 x 1" HEX BOLT	8
10	300063	3/8-16 KEPS NUT	8
11	300083	PIN, HITCH	1
12	300084	HAIRPIN COTTER, 0.093" X 2-5/16"	1

When ordering replacement parts, Please include part numbers and description.
6000164-REV A 1/09