



CS2188, CS2188 EPA CS2186, CS2186 EPA

Spare parts

Ersatzteile

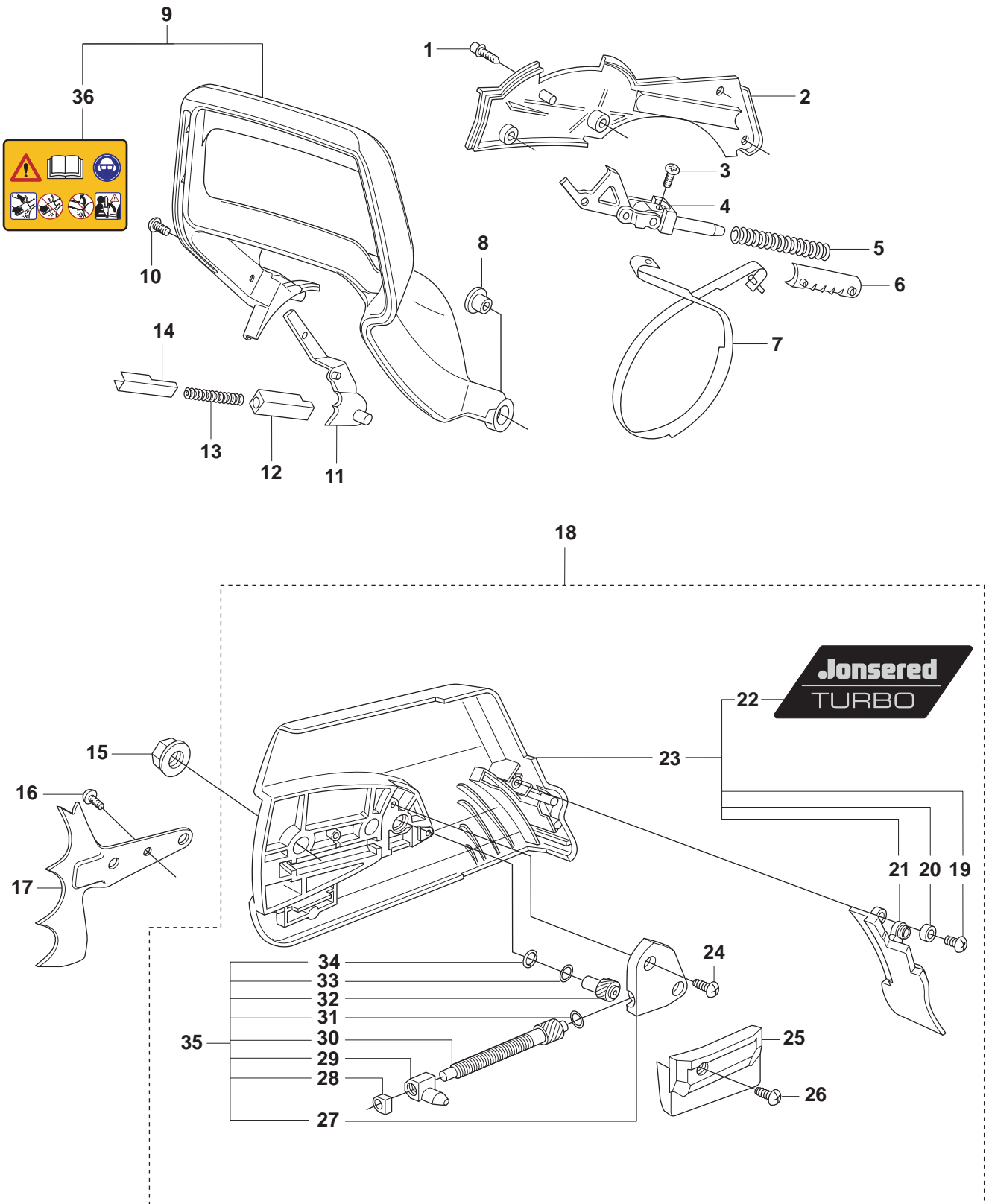
Pièces détachées

Reserve onderdelen

Repuestos

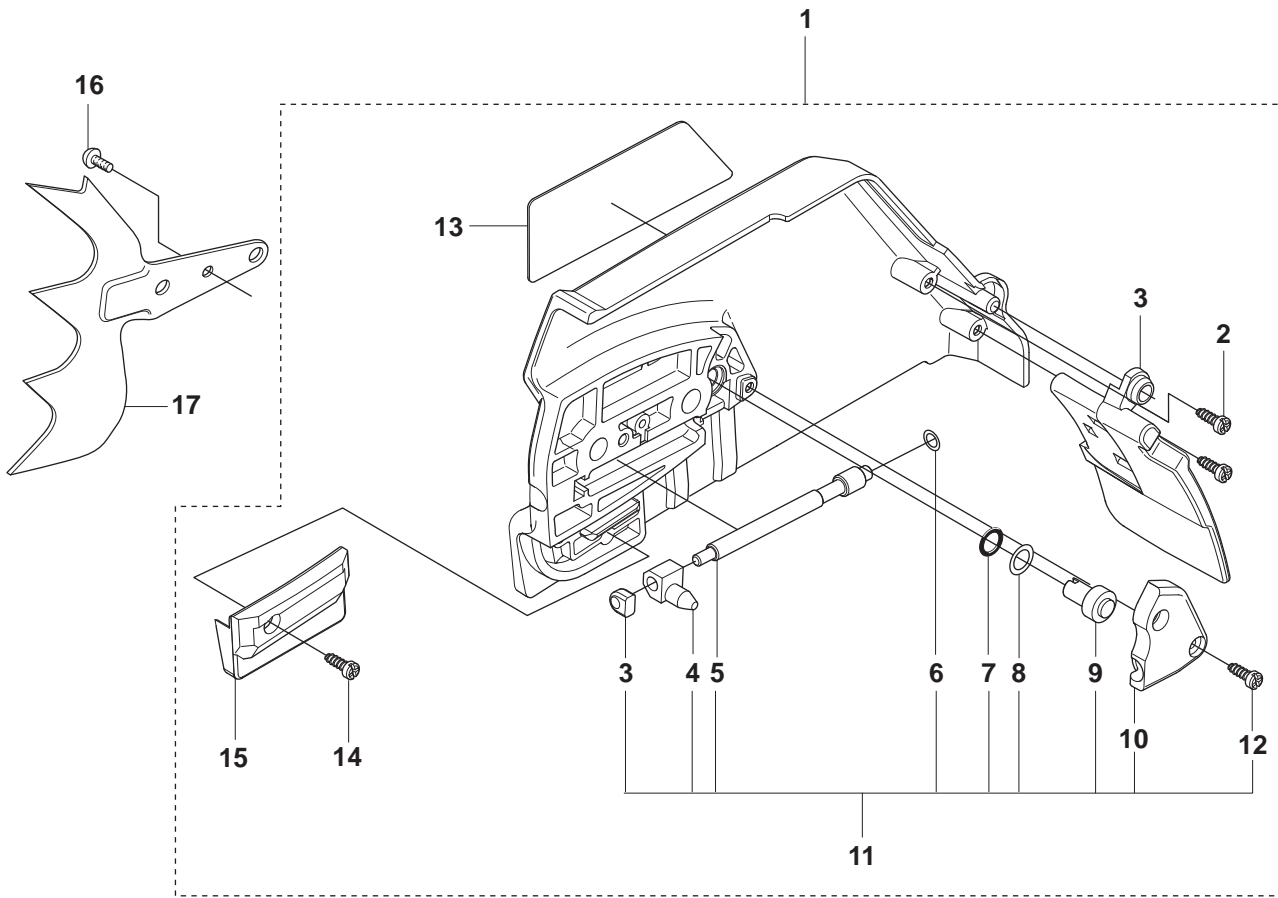
Reservdelar

A1 CS2188 BRAKE ASSY

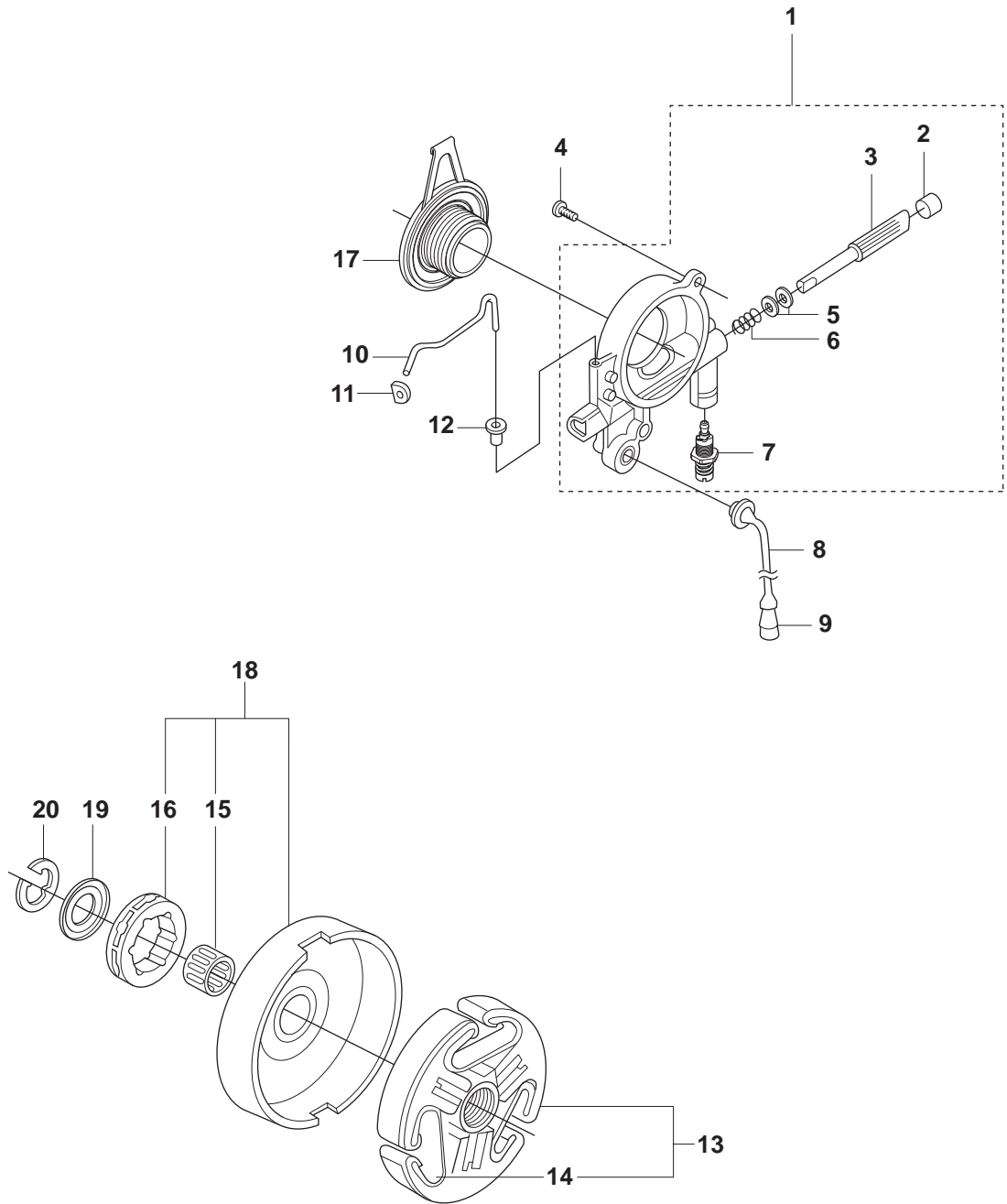


| Position | Article | Quantity | Notes | Kit |
|----------|--------------|----------|-------|--------|
| 1 | 503 20 07-12 | 4 | | |
| 2 | 503 75 11-03 | 1 | | |
| 3 | 503 21 28-10 | 1 | | |
| 4 | 501 87 53-03 | 1 | | |
| 5 | 503 70 99-01 | 1 | | |
| 6 | 503 79 27-01 | 1 | | |
| 7 | 503 75 22-02 | 1 | | |
| 8 | 503 77 52-01 | 1 | | |
| 9 | 537 19 57-01 | 1 | | |
| 10 | 503 20 25-12 | 1 | | |
| 11 | 537 00 87-02 | 1 | | |
| 12 | 503 83 81-02 | 1 | | |
| 13 | 503 43 65-01 | 1 | | |
| 14 | 537 01 67-01 | 1 | | |
| 15 | 503 22 00-01 | 1 | | |
| 16 | 503 21 28-10 | 1 | | |
| 17 | 503 71 97-01 | 1 | | |
| 18 | 537 07 20-02 | 1 | | |
| 19 | 503 21 28-10 | 1 | | 18, 23 |
| 20 | 503 89 70-01 | 1 | | 18, 23 |
| 21 | 503 76 29-02 | 1 | | 18, 23 |
| 22 | 537 24 43-01 | 1 | | 18, 23 |
| 23 | 537 07 20-71 | 1 | | 18 |
| 24 | 503 21 28-10 | 2 | | 18 |
| 25 | 537 19 06-01 | 1 | | 18 |
| 26 | 503 21 28-10 | 1 | | 18 |
| 27 | 537 01 68-01 | 1 | | 18, 35 |
| 28 | 537 01 74-01 | 1 | | 18, 35 |
| 29 | 503 99 83-01 | 1 | | 18, 35 |
| 30 | 537 07 95-02 | 1 | | 18, 35 |
| 31 | 503 23 00-66 | 1 | | 18, 35 |
| 32 | 537 07 94-01 | 1 | | 18, 35 |
| 33 | 503 23 00-63 | 1 | | 18, 35 |
| 34 | 740 48 07-02 | 1 | | 18, 35 |
| 35 | 537 04 41-02 | 1 | | 18 |
| 36 | 503 98 74-01 | 1 | | 9 |

A2 CS2188
BRAKE ASSY



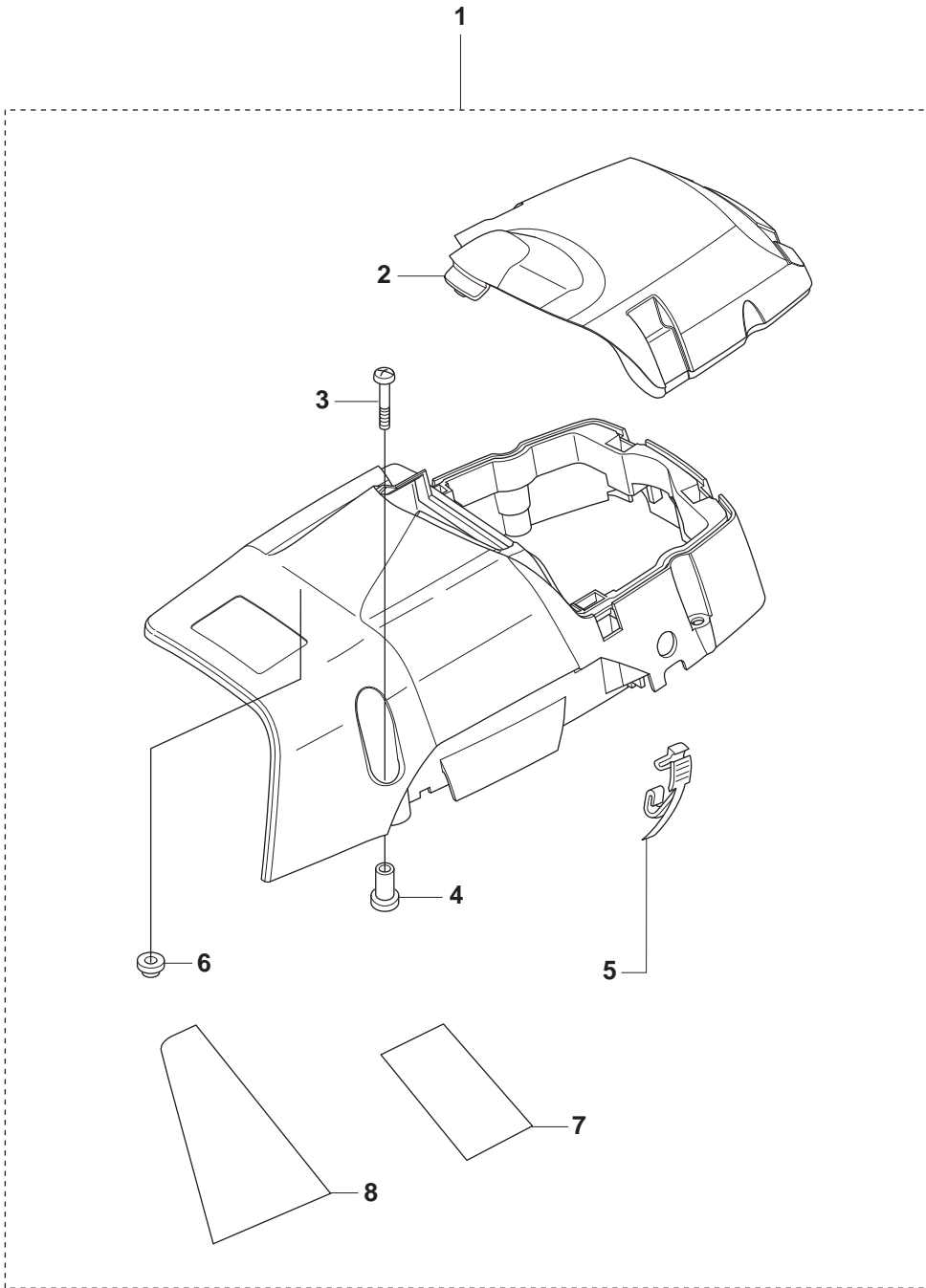
| Position | Article | Quantity | Notes | Kit |
|----------|--------------|----------|-------|-------|
| 1 | 537 33 10-02 | 1 | WA | |
| 2 | 503 21 28-10 | 2 | | 1 |
| 3 | 537 17 41-01 | 1 | | 1, 11 |
| 4 | 503 99 83-01 | 1 | | 1, 11 |
| 5 | 537 07 95-01 | 1 | | 1, 11 |
| 6 | 503 23 00-66 | 1 | | 1, 11 |
| 7 | 740 48 07-02 | 1 | | 1, 11 |
| 8 | 503 23 00-63 | 1 | | 1, 11 |
| 9 | 537 07 94-01 | 1 | | 1, 11 |
| 10 | 537 01 68-01 | 1 | | 1, 11 |
| 11 | 537 04 41-02 | 1 | | 1 |
| 12 | 503 21 28-10 | 2 | | 1, 11 |
| 13 | 537 03 38-02 | 1 | | 1 |
| 14 | 503 21 28-10 | 1 | | 1 |
| 15 | 537 04 34-01 | 1 | | 1 |
| 16 | 503 21 28-10 | 1 | | |
| 17 | 503 92 27-01 | 1 | WA | |

B**CS2188
CLUTCH ASSY
OIL PUMP ASSY**

**Page B CS2188 CLUTCH ASSY
OIL PUMP ASSY**

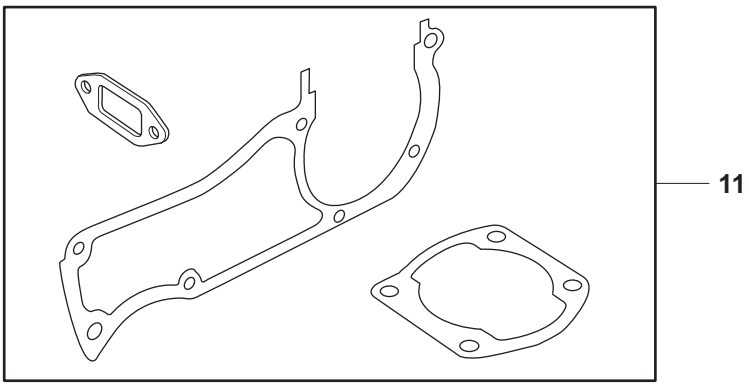
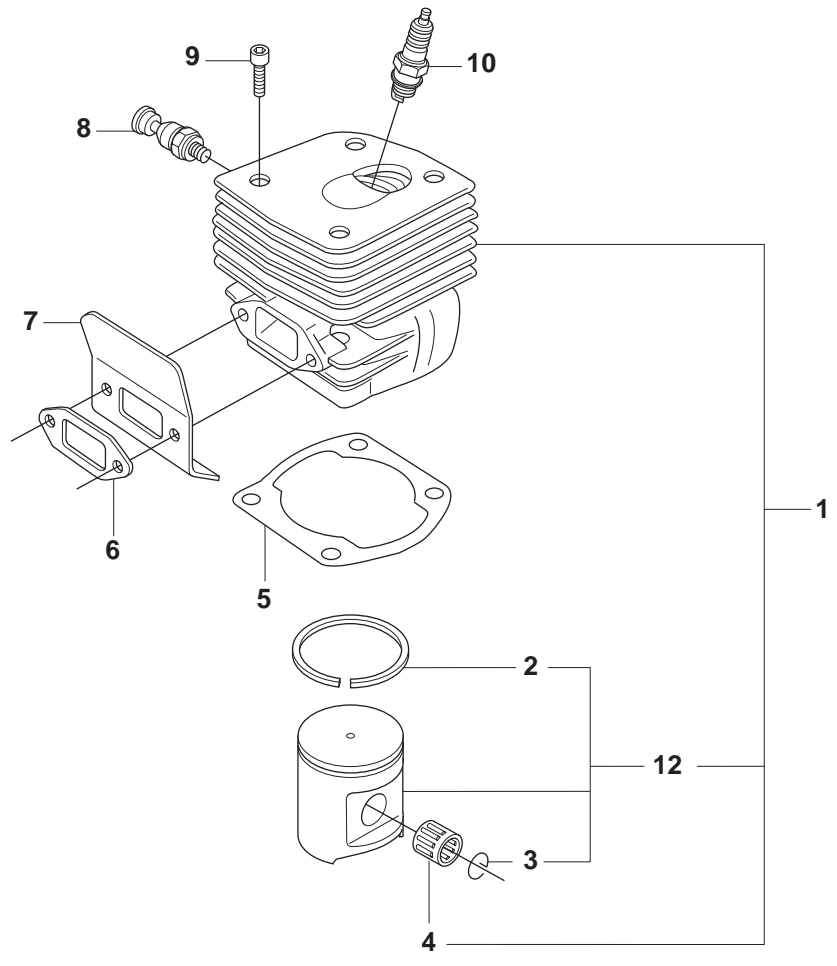
| Position | Article | Quantity | Notes | Kit |
|-----------------|----------------|-----------------|--------------|------------|
| 1 | 503 52 13-05 | 1 | | |
| 2 | 503 62 49-01 | 1 | | 1 |
| 3 | 537 10 64-01 | 1 | | 1 |
| 4 | 725 53 29-56 | 2 | | |
| 5 | 503 23 00-04 | 2 | | 1 |
| 6 | 501 61 58-01 | 1 | | 1 |
| 7 | 537 39 60-01 | 1 | | 1 |
| 8 | 503 42 67-01 | 1 | | |
| 9 | 501 54 41-02 | 1 | | |
| 10 | 503 77 43-01 | 1 | | |
| 11 | 503 64 47-01 | 1 | | |
| 12 | 504 30 00-26 | 1 | | |
| 13 | 503 97 50-01 | 1 | | |
| 14 | 503 97 51-01 | 3 | | 13 |
| 15 | 503 43 20-01 | 1 | | 18 |
| 16 | 501 59 80-02 | 1 | 3/8"x7T | 18 |
| 16 | 505 30 36-61 | 1 | 3/8"x8T | 18 |
| 17 | 537 20 78-06 | 1 | | |
| 18 | 537 13 79-71 | 1 | 3/8"x7T | |
| 18 | 537 13 79-72 | 1 | 3/8"x8T | |
| 19 | 503 75 24-01 | 1 | | |
| 20 | 503 27 21-01 | 1 | | |

C CS2188
COVER



| Position | Article | Quantity | Notes | Kit |
|-----------------|----------------|-----------------|--------------|------------|
| 1 | 537 16 80-01 | 1 | | |
| 2 | 537 16 82-01 | 1 | | 1 |
| 3 | 503 20 44-26 | 3 | | 1 |
| 4 | 537 13 72-01 | 3 | | 1 |
| 5 | 503 69 91-02 | 4 | | 1 |
| 6 | 537 01 65-01 | 1 | | 1 |
| 7 | 537 25 35-01 | 1 | | 1 |
| 8 | 537 25 34-01 | 1 | | 1 |

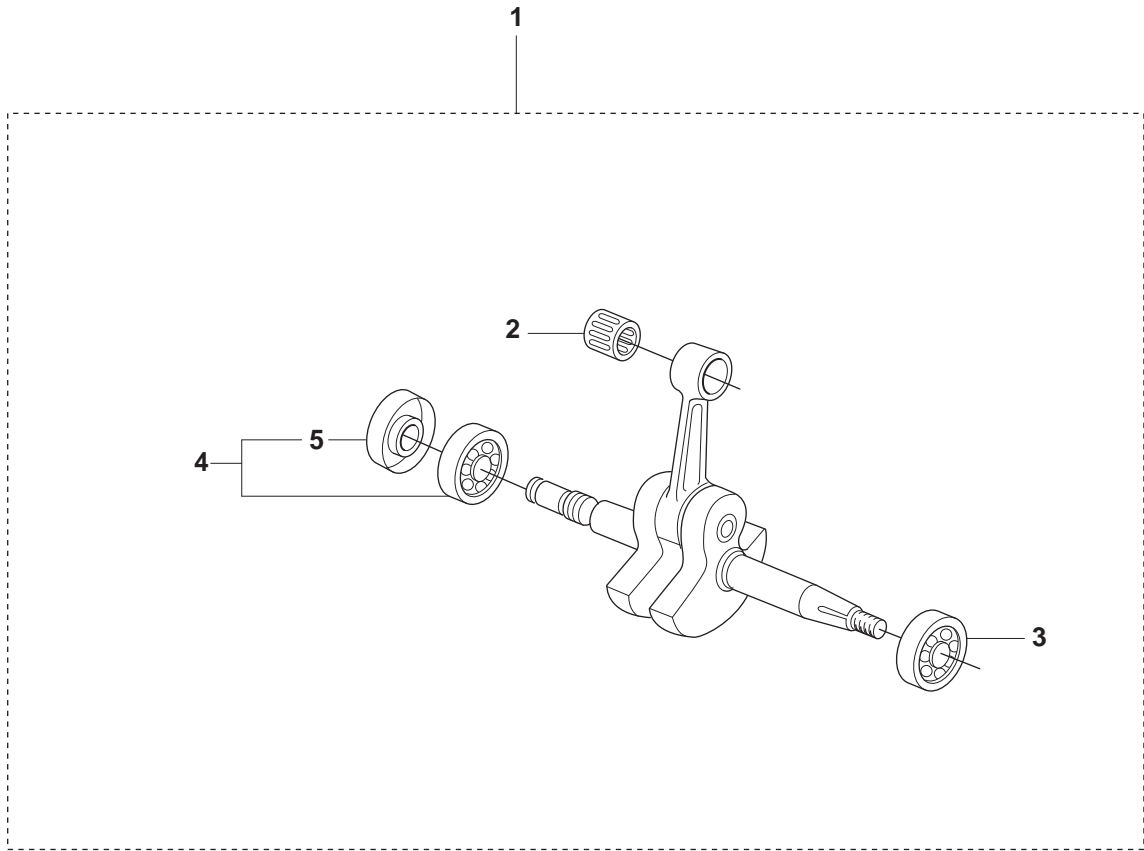
D CS2188
CYLINDER



Page D CS2188 CYLINDER

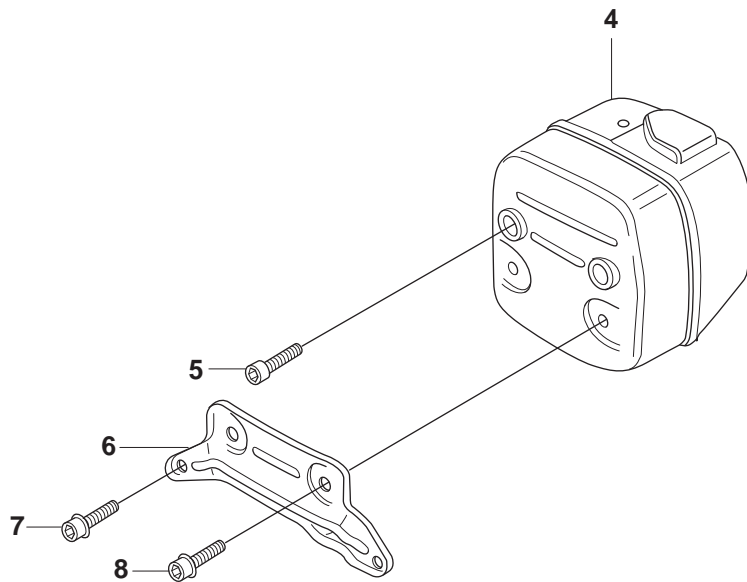
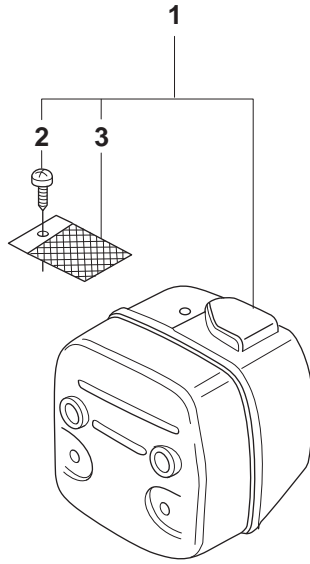
| Position | Article | Quantity | Notes | Kit |
|-----------------|----------------|-----------------|----------------|------------|
| 1 | 537 16 97-71 | 1 | CS2186 | |
| 1 | 544 00 65-02 | 1 | CS2188 | |
| 2 | 503 28 90-53 | 2 | CS2188 | 12 |
| 3 | 737 44 13-00 | 2 | | 12 |
| 4 | 503 25 61-01 | 1 | | 1 |
| 5 | 537 00 57-01 | 1 | | 11 |
| 6 | 503 77 59-01 | 1 | | 11 |
| 7 | 537 08 62-01 | 1 | | |
| 8 | 503 71 53-01 | 1 | | |
| 9 | 725 53 33-55 | 4 | | |
| 10 | 503 23 51-08 | 1 | RCJ 7 Y | |
| 11 | 537 03 39-01 | 1 | Set of gaskets | |
| 12 | 537 42 02-02 | 1 | CS2188 | 1 |
| 12 | 537 16 98-71 | 1 | CS2186 | 1 |

E CS2188
CRANK SHAFT



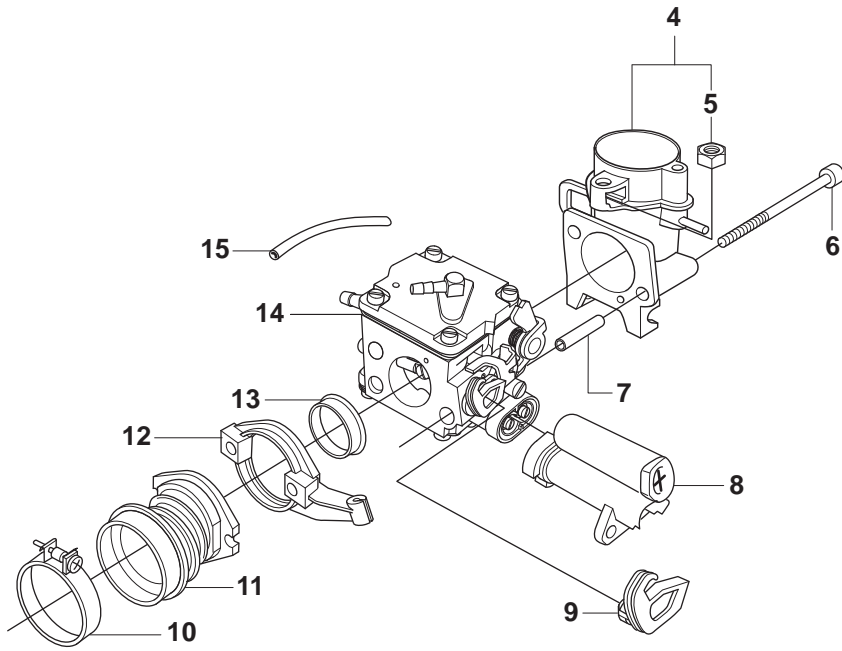
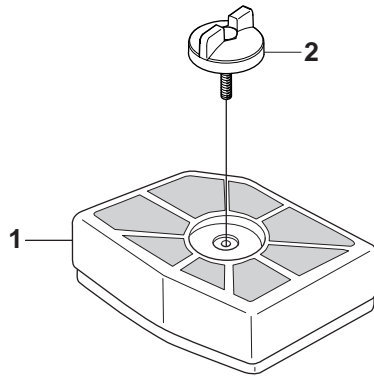
| Position | Article | Quantity | Notes | Kit |
|-----------------|----------------|-----------------|--------------|------------|
| 1 | 503 99 34-04 | 1 | | |
| 2 | 503 25 61-01 | 1 | | 1 |
| 3 | 738 22 03-25 | 1 | | 1 |
| 4 | 503 25 13-01 | 1 | | 1 |
| 5 | 503 26 22-01 | 1 | | 1, 4 |

F CS2188
MUFFLER ASSY



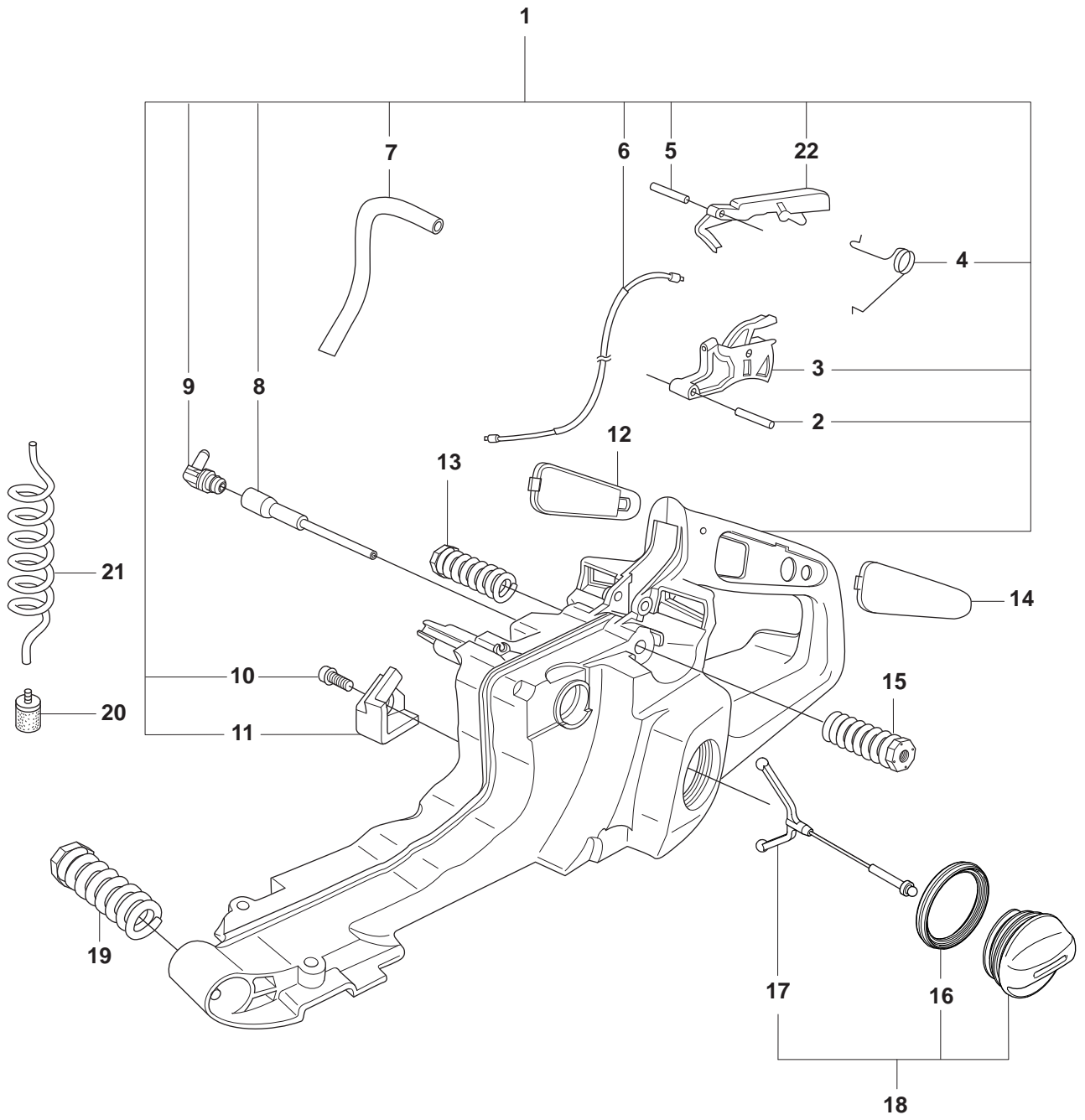
| Position | Article | Quantity | Notes | Kit |
|-----------------|----------------|-----------------|--------------|------------|
| 1 | 544 02 91-04 | 1 | DF | |
| 2 | 724 12 87-59 | 1 | | 1 |
| 3 | 503 76 64-02 | 1 | | 1 |
| 4 | 544 02 91-03 | 1 | JUNGLE | |
| 5 | 725 53 70-55 | 2 | | |
| 6 | 503 76 65-03 | 1 | | |
| 7 | 503 20 02-16 | 2 | | |
| 8 | 503 20 07-12 | 2 | | |

G CS2186, CS2188
INTAKE

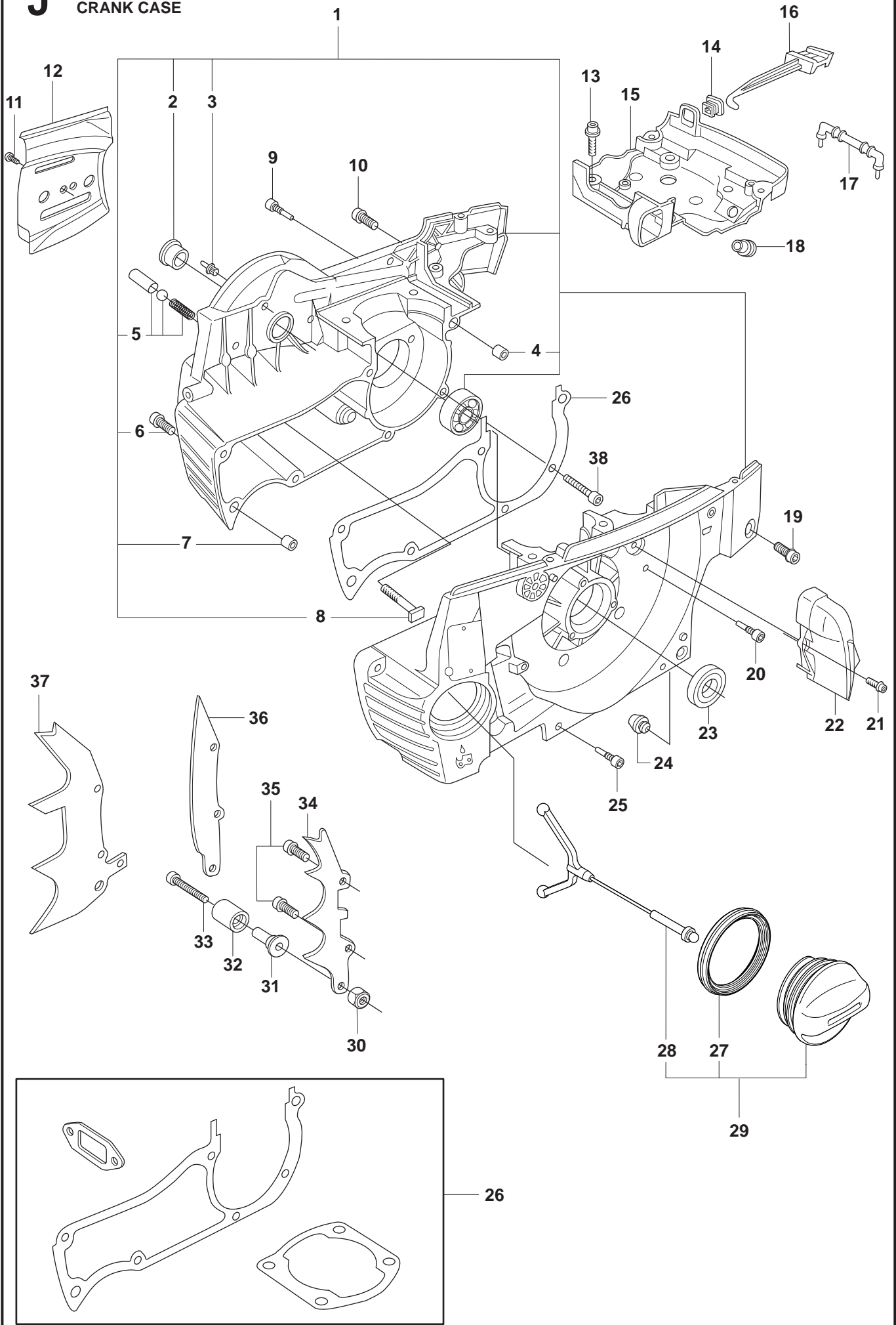


| Position | Article | Quantity | Notes | Kit |
|----------|---------------|----------|-------------|-----|
| 1 | 537 01 47-01 | 1 | 80μ | |
| 1 | 537 01 47-02 | 1 | 44μ | |
| 1 | 537 01 47-03 | 1 | Felt | |
| 2 | 537 21 32-01 | 1 | | |
| 4 | 537 00 91-01 | 1 | | |
| 5 | 731 23 14-01 | 1 | | 4 |
| 6 | 725 53 09-55 | 2 | | |
| 7 | 503 70 11-01 | 2 | | |
| 8 | 544 97 51-01 | 1 | | |
| 9 | 503 68 41-01 | 1 | | |
| 10 | 505 28 33-02 | 1 | | |
| 11 | 537 11 14 -01 | 1 | | |
| 12 | 537 00 37-01 | 1 | | |
| 13 | 503 96 22-01 | 1 | | |
| 14 | 501 35 54-01 | 1 | WJ118 | |
| 14 | 501 35 52-01 | 1 | WJ116 (EPA) | |
| 15 | 503 40 06-04 | 1 | | |

H CS2186, CS2188
HANDLE COMP

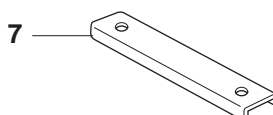
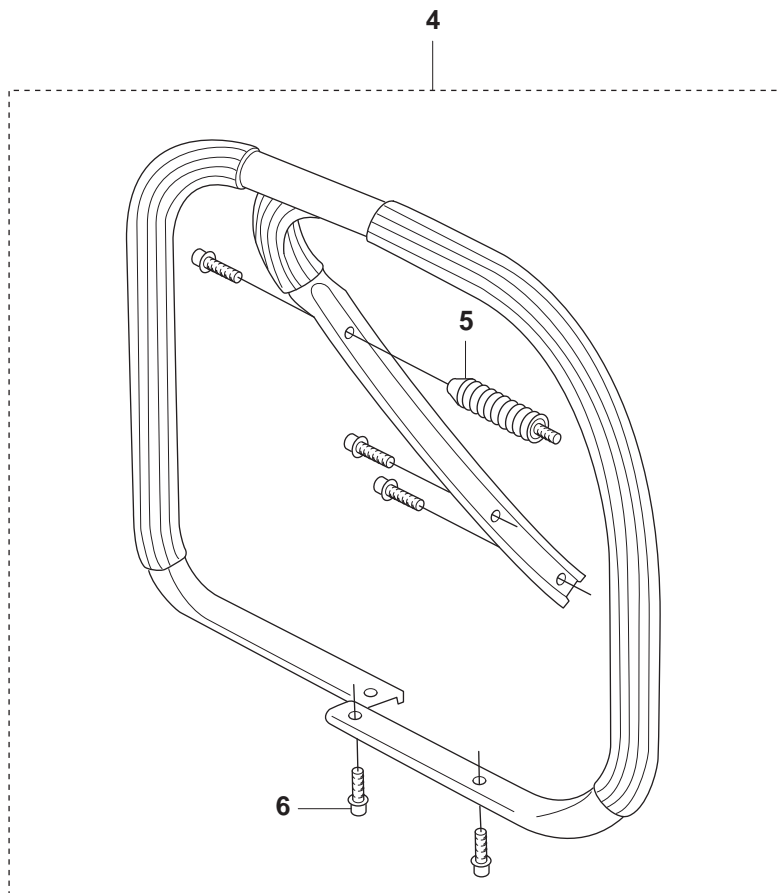
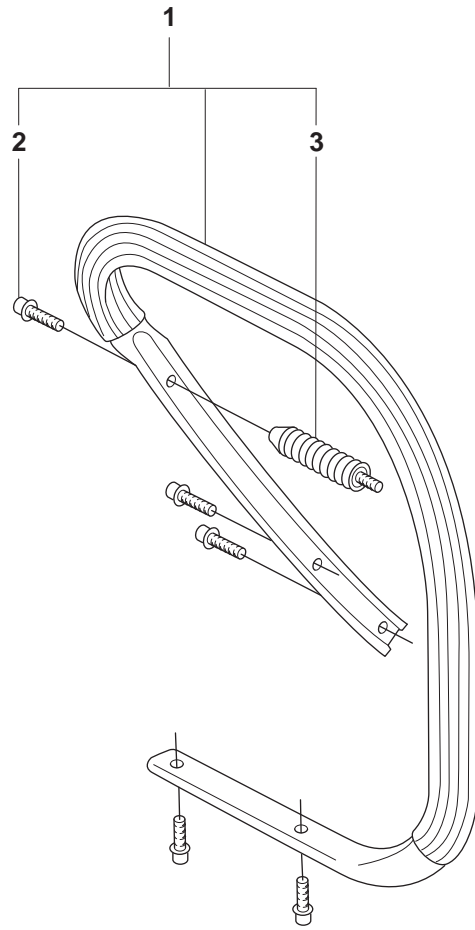


| Position | Article | Quantity | Notes | Kit |
|----------|--------------|----------|-------|-----|
| 1 | 537 00 03-72 | 1 | | |
| 2 | 720 12 72-20 | 1 | | 1 |
| 3 | 503 82 98-02 | 1 | | 1 |
| 4 | 503 73 64-01 | 1 | | 1 |
| 5 | 720 12 40-20 | 1 | | 1 |
| 6 | 503 71 76-01 | 1 | | 1 |
| 7 | 544 32 49-06 | 1 | | 1 |
| 8 | 537 09 22-01 | 1 | | 1 |
| 9 | 537 09 93-01 | 1 | | 1 |
| 10 | 503 21 88-20 | 1 | | 1 |
| 11 | 537 00 88-02 | 1 | | 1 |
| 12 | 537 03 34-02 | 1 | | |
| 13 | 537 01 79-01 | 1 | | |
| 14 | 537 03 34-02 | 1 | | |
| 15 | 537 01 79-01 | 1 | | |
| 16 | 537 21 50-01 | 1 | | 18 |
| 17 | 503 57 89-01 | 1 | | 18 |
| 18 | 537 21 52-01 | 1 | | |
| 19 | 537 01 75-01 | 1 | | |
| 20 | 503 44 32-01 | 1 | | |
| 21 | 544 32 50-02 | 1 | | |
| 22 | 503 55 66-02 | 1 | | 1 |

J**CS2186, CS2188
CRANK CASE**

| Position | Article | Quantity | Notes | Kit |
|----------|--------------|----------|----------------|-----|
| 1 | 503 99 11-06 | 1 | | |
| 2 | 503 96 70-01 | 1 | | 1 |
| 3 | 503 75 18-01 | 1 | | 1 |
| 4 | 501 27 08-01 | 1 | | 1 |
| 5 | 537 04 03-01 | 1 | | 1 |
| 6 | 503 21 88-25 | 1 | | |
| 7 | 501 27 08-01 | 1 | | 1 |
| 8 | 537 05 13-01 | 2 | | 1 |
| 9 | 503 74 93-01 | 1 | | |
| 10 | 503 21 88-76 | 1 | | |
| 11 | 503 21 28-10 | 1 | | |
| 12 | 537 04 66-01 | 1 | | |
| 13 | 503 20 07-12 | 4 | | |
| 14 | 503 73 44-01 | 1 | | |
| 15 | 537 00 14-04 | 1 | | |
| 16 | 537 00 12-01 | 1 | | |
| 17 | 503 67 86-01 | 1 | | |
| 18 | 537 09 54-01 | 1 | | |
| 19 | 503 21 88-25 | 1 | | |
| 20 | 503 74 93-01 | 1 | | |
| 21 | 503 20 07-12 | 1 | | |
| 22 | 537 00 79-01 | 1 | | |
| 23 | 503 26 02-05 | 1 | | |
| 24 | 503 84 61-01 | 2 | | |
| 25 | 503 74 93-01 | 1 | | |
| 26 | 537 03 39-01 | 1 | Set of gaskets | |
| 27 | 537 21 50-01 | 1 | | 29 |
| 28 | 503 57 89-01 | 1 | | 29 |
| 29 | 537 21 52-01 | 1 | | |
| 30 | 503 22 24-01 | 1 | | |
| 31 | 537 08 92-01 | 1 | | |
| 32 | 537 02 44-01 | 1 | | |
| 33 | 503 20 02-30 | 1 | | |
| 34 | 537 01 71-01 | 1 | | |
| 35 | 503 20 02-16 | 2 | | |
| 36 | 537 04 29-01 | 1 | | |
| 37 | 537 01 72-01 | 1 | WA | |
| 38 | 503 20 16-35 | 6 | | |

K CS2186, CS2188
HANDLE ASSY

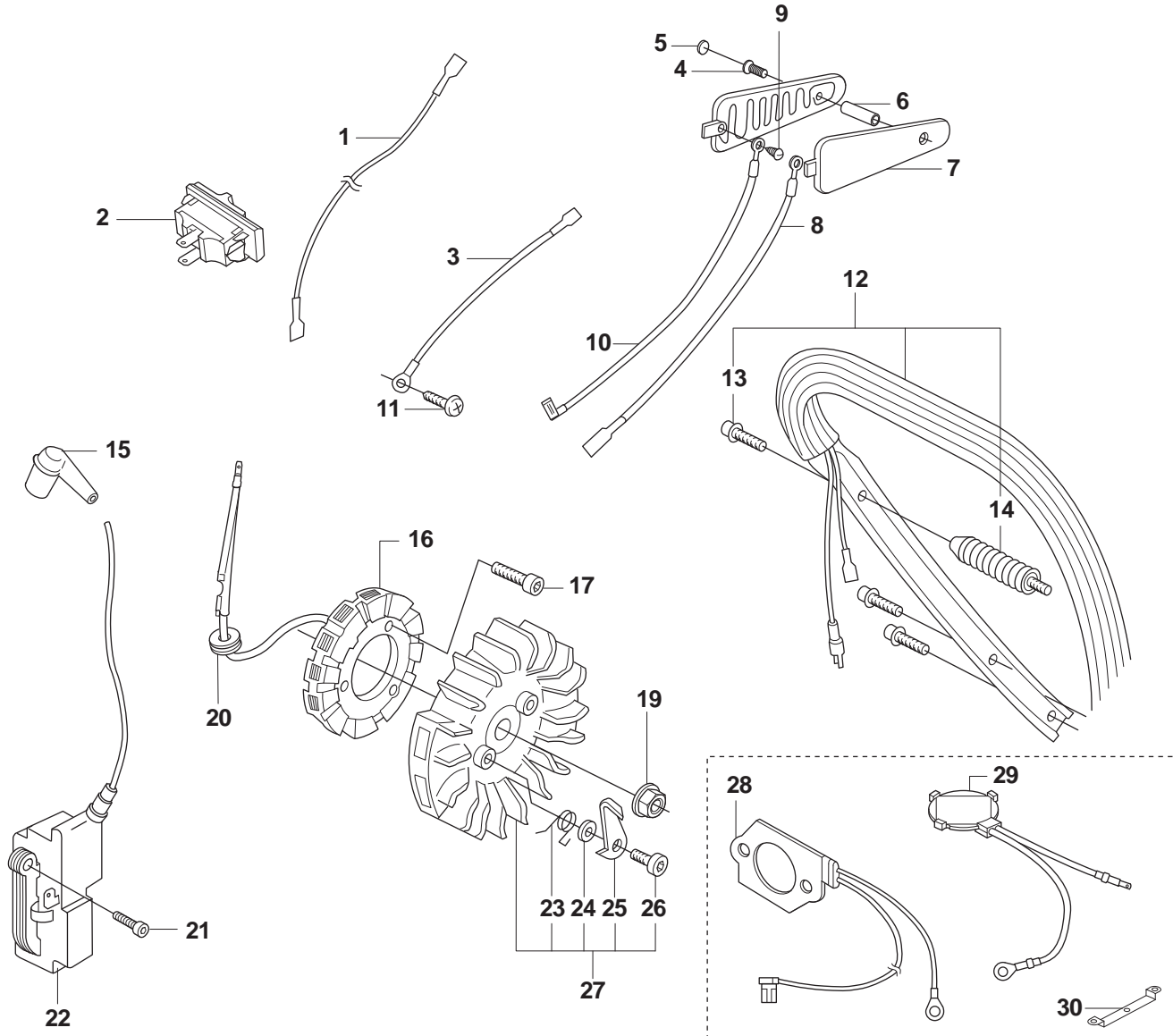


Page K CS2186 HANDLE ASSY
CS2188

| Position | Article | Quantity | Notes | Kit |
|-----------------|----------------|-----------------|--------------|------------|
| 1 | 537 16 78-71 | 1 | | |
| 1 | 537 16 78-72 | 1 | W | |
| 2 | 503 21 88-20 | 5 | | 1 |
| 3 | 503 52 87-02 | 1 | | 1 |
| 4 | 537 16 79-01 | 1 | WA | |
| 5 | 503 52 87-02 | 1 | | 4 |
| 6 | 503 21 88-20 | 5 | | 4 |
| 7 | 537 03 73-01 | 1 | WA | |

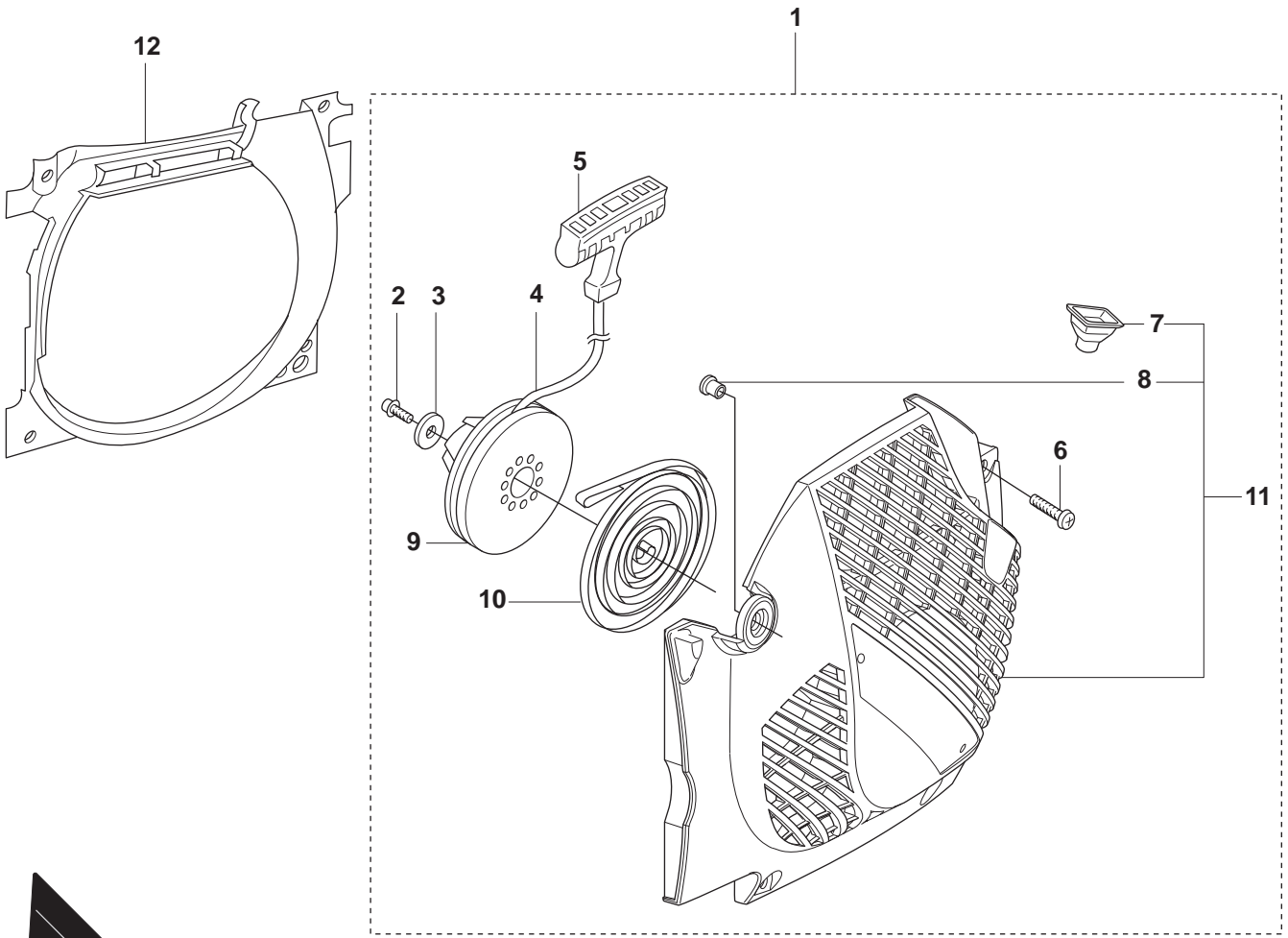


CS2186, CS2188
ROTOR ASSY
MODULE ASSY



| Position | Article | Quantity | Notes | Kit |
|----------|--------------|----------|-------|-----|
| 1 | 503 62 61-02 | 1 | | |
| 2 | 503 71 82-01 | 1 | | |
| 2 | 503 71 82-02 | 1 | W | |
| 3 | 503 89 76-01 | 1 | | |
| 4 | 724 32 24-05 | 2 | W | |
| 5 | 501 79 51-02 | 2 | W | |
| 6 | 537 05 26-01 | 1 | W | |
| 7 | 501 62 93-04 | 2 | W | |
| 8 | 537 04 06-01 | 1 | W | |
| 9 | 503 21 29-06 | 2 | W | |
| 10 | 537 04 05-01 | 1 | W | |
| 11 | 503 21 28-10 | 1 | | |
| 12 | 537 16 78-72 | 1 | W | |
| 13 | 503 21 88-20 | 5 | | 12 |
| 14 | 503 68 45-03 | 1 | | 12 |
| 15 | 501 48 54-02 | 1 | | |
| 16 | 537 07 18-02 | 1 | W | |
| 17 | 725 52 91-56 | 3 | W | |
| 19 | 503 22 04-01 | 1 | | |
| 20 | 501 43 00-01 | 1 | W | |
| 21 | 503 20 02-20 | 2 | | |
| 22 | 510 11 49-01 | 1 | | |
| 23 | 501 67 35-01 | 2 | | 27 |
| 24 | 503 23 00-42 | 2 | | 27 |
| 25 | 537 01 55-01 | 2 | | 27 |
| 26 | 501 81 99-01 | 2 | | 27 |
| 27 | 537 05 16-05 | 1 | | |
| 27 | 537 05 16-06 | 1 | W | |
| 28 | 537 06 53-01 | 1 | WH | |
| 29 | 537 18 98-01 | 1 | WH | |
| 30 | 537 06 32-01 | 1 | | |

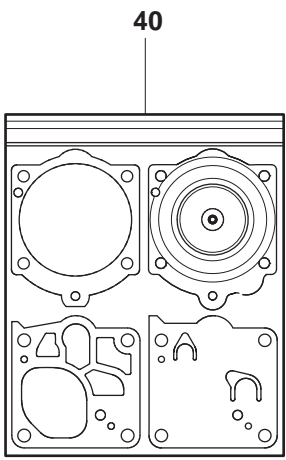
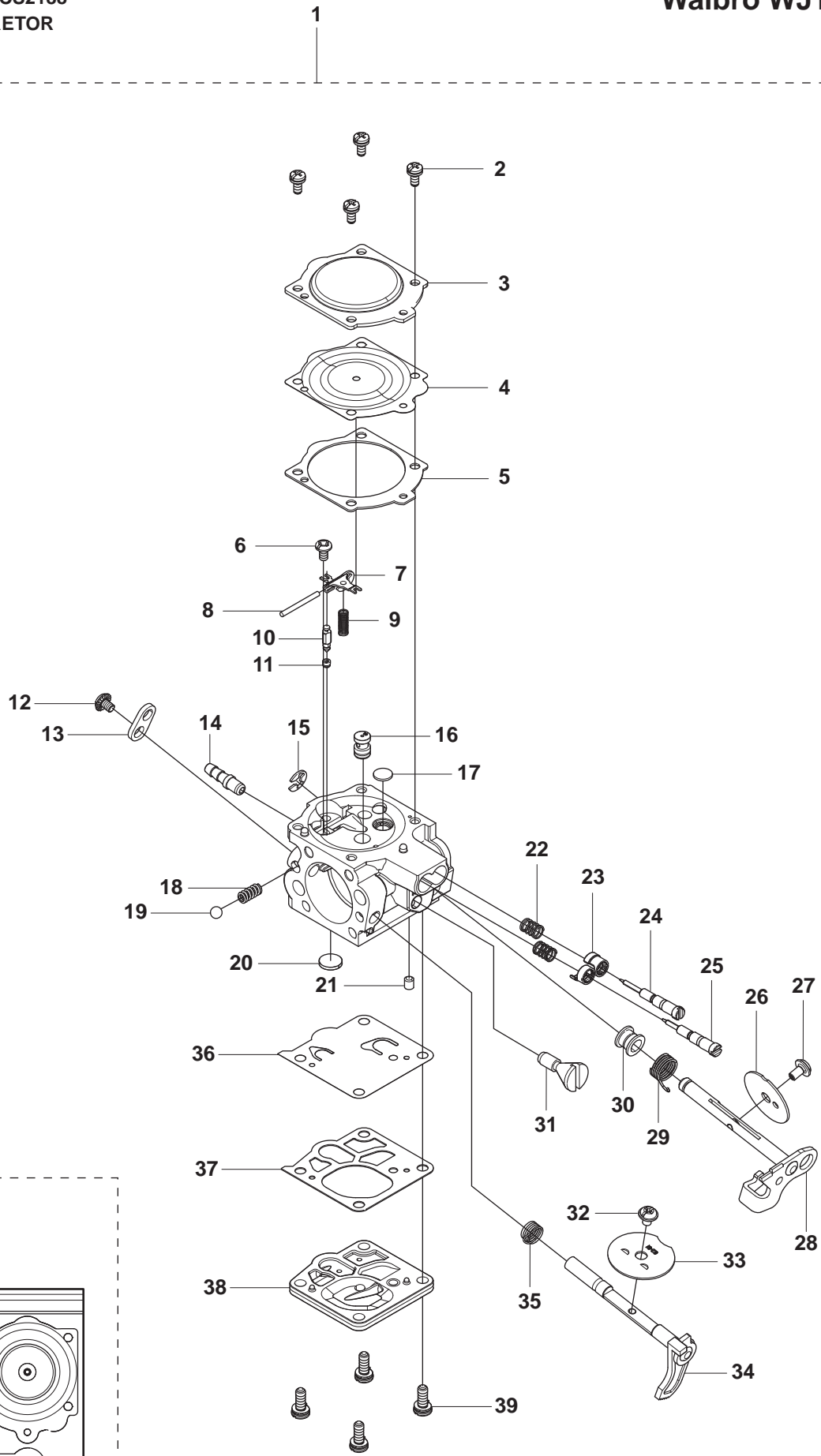
M CS2186, CS2188
STARTER ASSY



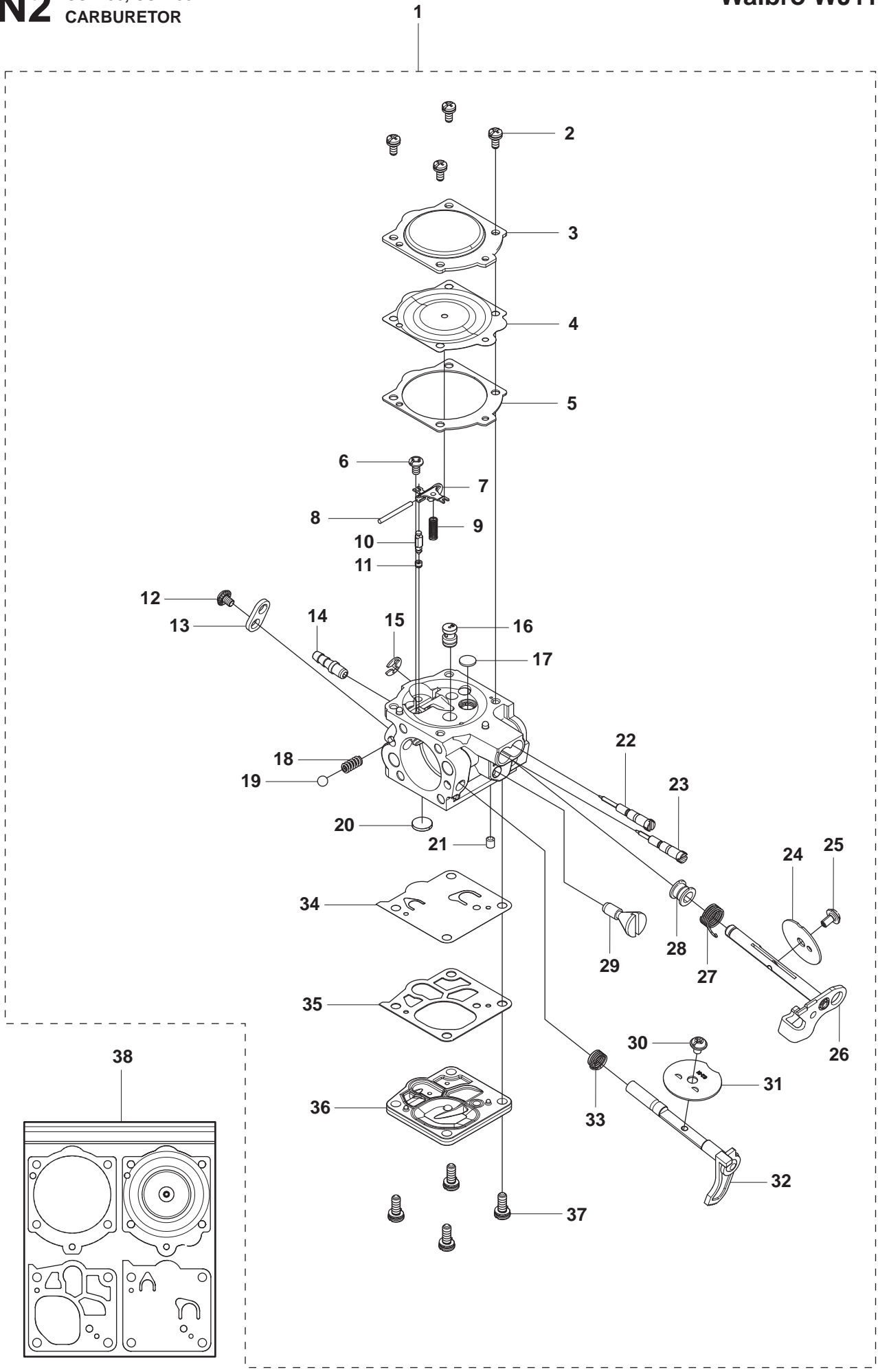
- 13 **Jonsered**
CS 2186
- 14 **Jonsered**
CS 2186 WH

Page M CS2186 STARTER ASSY
CS2188

| Position | Article | Quantity | Notes | Kit |
|-----------------|----------------|-----------------|--------------|------------|
| 1 | 537 16 83-71 | 1 | | |
| 2 | 503 21 49-16 | 1 | | 1 |
| 3 | 503 23 43-02 | 1 | | 1 |
| 4 | 503 43 29-01 | 1 | | 1 |
| 5 | 504 65 42-03 | 1 | | 1 |
| 6 | 503 20 34-19 | 4 | | 1,11 |
| 7 | 501 63 06-01 | 1 | | 1,11 |
| 8 | 537 08 67-01 | 1 | | 1,11 |
| 9 | 503 85 96-01 | 1 | | 1 |
| 10 | 503 78 72-01 | 1 | | 1 |
| 11 | 537 16 84-71 | 1 | | 1 |
| 12 | 537 00 13-01 | 1 | | |
| 13 | 537 16 89-01 | 1 | CS2186 | |
| 13 | 537 16 89-05 | 1 | CS2188 | |
| 14 | 537 16 89-02 | 1 | WH, CS2186 | |



| Position | Article | Quantity | Notes | Kit |
|----------|--------------|----------|----------------|-------|
| 1 | 501 35 52-01 | 1 | | |
| 2 | 503 10 87-01 | 4 | | 1 |
| 3 | 505 31 67-02 | 1 | | 1 |
| 4 | 505 31 67-15 | 1 | | 1, 40 |
| 5 | 501 46 75-01 | 1 | | 1, 40 |
| 6 | 505 31 67-17 | 1 | | 1 |
| 7 | 505 31 67-34 | 1 | | 1 |
| 8 | 505 31 67-31 | 1 | | 1 |
| 9 | 504 79 12-01 | 1 | | 1 |
| 10 | 503 56 34-01 | 1 | | 1 |
| 11 | 503 59 23-01 | 1 | | 1 |
| 12 | 501 46 87-01 | 1 | | 1 |
| 13 | 504 79 07-01 | 1 | | 1 |
| 14 | 505 69 69-01 | 1 | | 1 |
| 15 | 505 31 67-36 | 1 | | 1 |
| 16 | 504 79 09-01 | 1 | | 1 |
| 17 | 504 79 08-01 | 1 | | 1 |
| 18 | 503 11 77-01 | 1 | | 1 |
| 19 | 503 11 71-01 | 1 | | 1 |
| 20 | 501 66 61-01 | 1 | | 1 |
| 21 | 503 80 05-01 | 1 | | 1 |
| 22 | 544 97 10-01 | 2 | | 1 |
| 23 | 544 97 08-01 | 2 | | 1 |
| 24 | 504 79 18-01 | 1 | Low speed | 1 |
| 25 | 544 97 13-01 | 1 | High speed | 1 |
| 26 | 503 80 00-01 | 1 | | 1 |
| 27 | 544 11 15-01 | 1 | | 1 |
| 28 | 504 79 04-01 | 1 | | 1 |
| 29 | 504 79 14-01 | 1 | | 1 |
| 30 | 502 10 31-01 | 2 | | 1 |
| 31 | 504 79 11-01 | 1 | | 1 |
| 32 | 537 00 34-01 | 1 | | 1 |
| 33 | 505 31 67-07 | 1 | | 1 |
| 34 | 504 79 05-01 | 1 | | 1 |
| 35 | 504 79 15-01 | 1 | | 1 |
| 36 | 544 89 72-01 | 1 | | 1, 40 |
| 37 | 503 11 72-01 | 1 | | 1, 40 |
| 38 | 504 79 03-01 | 1 | | 1 |
| 39 | 503 11 75-01 | 4 | | 1 |
| 40 | 522 59 18-01 | 1 | Set of gaskets | |

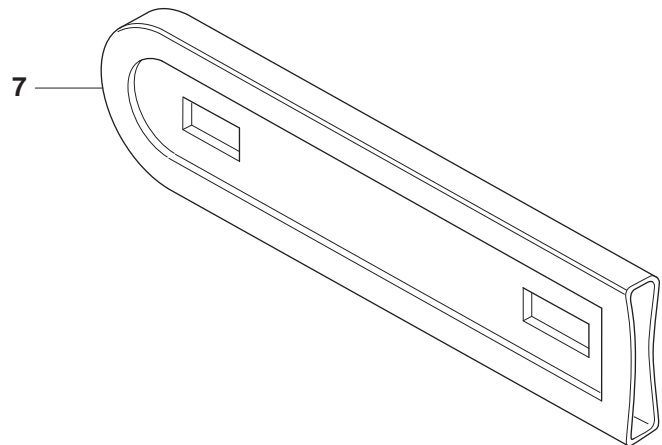
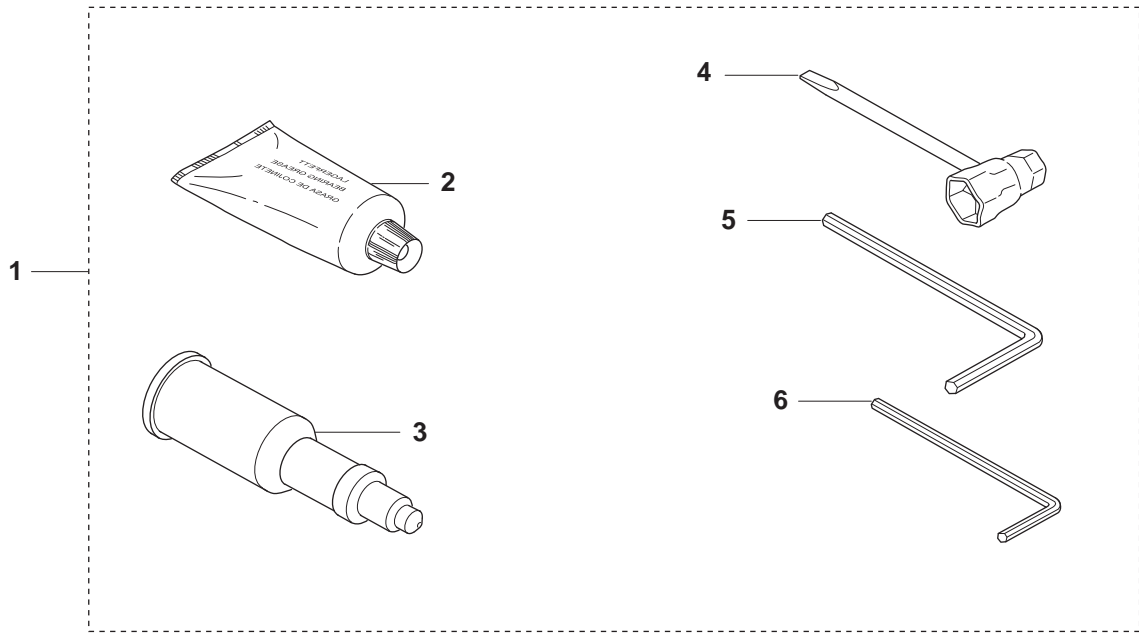


Page N2 CS2186 CARBURETOR
CS2188

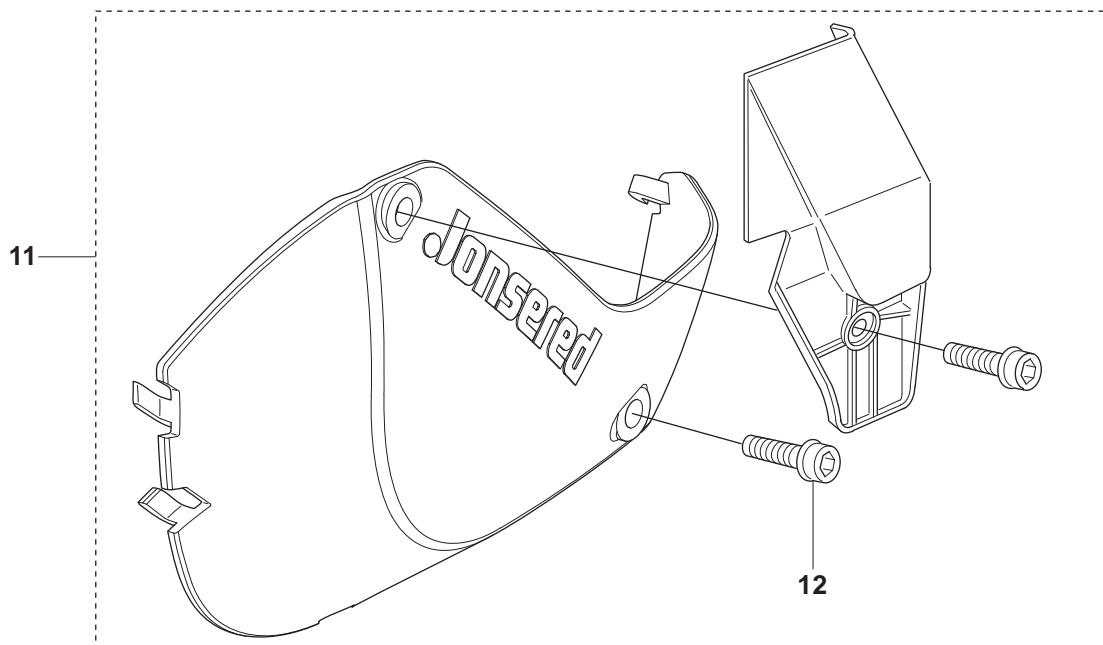
| Position | Article | Quantity | Notes | Kit |
|----------|--------------|----------|----------------|-------|
| 1 | 501 35 54-01 | 1 | | |
| 2 | 503 10 87-01 | 4 | | 1 |
| 3 | 505 31 67-02 | 1 | | 1 |
| 4 | 505 31 67-15 | 1 | | 1, 38 |
| 5 | 501 46 75-01 | 1 | | 1, 38 |
| 6 | 505 31 67-17 | 1 | | 1 |
| 7 | 505 31 67-34 | 1 | | 1 |
| 8 | 505 31 67-31 | 1 | | 1 |
| 9 | 504 79 12-01 | 1 | | 1 |
| 10 | 503 56 34-01 | 1 | | 1 |
| 11 | 503 59 23-01 | 1 | | 1 |
| 12 | 501 46 87-01 | 1 | | 1 |
| 13 | 504 79 07-01 | 1 | | 1 |
| 14 | 505 69 69-01 | 1 | | 1 |
| 15 | 505 31 67-36 | 1 | | 1 |
| 16 | 504 79 09-01 | 1 | | 1 |
| 17 | 504 79 08-01 | 1 | | 1 |
| 18 | 503 11 77-01 | 1 | | 1 |
| 19 | 503 11 71-01 | 1 | | 1 |
| 20 | 501 66 61-01 | 1 | | 1 |
| 21 | 503 80 05-01 | 1 | | 1 |
| 22 | 504 79 18-01 | 1 | Low speed | 1 |
| 23 | 544 97 13-01 | 1 | High speed | 1 |
| 24 | 503 80 00-01 | 1 | | 1 |
| 25 | 544 11 15-01 | 1 | | 1 |
| 26 | 504 79 04-01 | 1 | | 1 |
| 27 | 504 79 14-01 | 1 | | 1 |
| 28 | 502 10 31-01 | 2 | | 1 |
| 29 | 504 79 11-01 | 1 | | 1 |
| 30 | 537 00 34-01 | 1 | | 1 |
| 31 | 505 31 67-07 | 1 | | 1 |
| 32 | 504 79 05-01 | 1 | | 1 |
| 33 | 504 79 15-01 | 1 | | 1 |
| 34 | 544 89 72-01 | 1 | | 1, 38 |
| 35 | 503 11 72-01 | 1 | | 1, 38 |
| 36 | 504 79 03-01 | 1 | | 1 |
| 37 | 503 11 75-01 | 4 | | 1 |
| 38 | 522 59 18-01 | 1 | Set of gaskets | |

P

CS2186, CS2188 ACCESSORIES



WINTER KIT

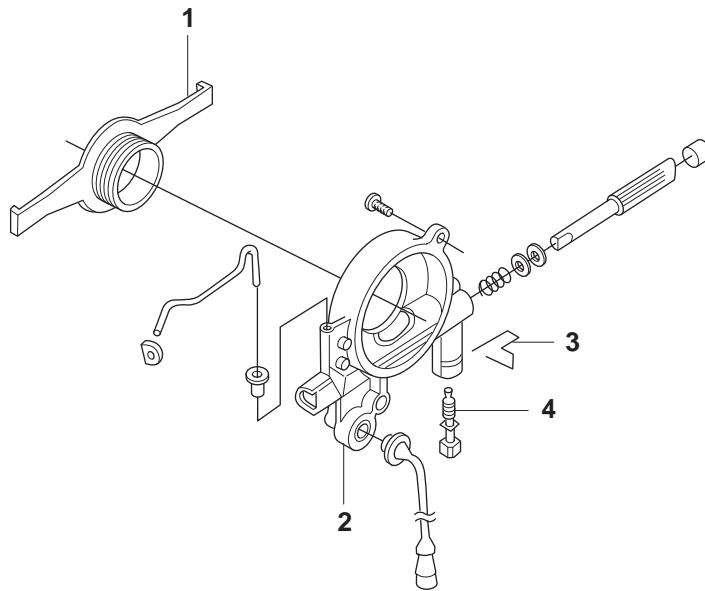


Page P CS2186 ACCESSORIES
CS2188

| Position | Article | Quantity | Notes | Kit |
|-----------------|----------------|-----------------|--------------|------------|
| 1 | 503 55 85-01 | 1 | | |
| 2 | 503 62 12-01 | 1 | | 1 |
| 3 | 501 91 14-01 | 1 | | 1 |
| 4 | 501 69 17-02 | 1 | | 1 |
| 5 | 503 55 86-02 | 1 | NV5 | 1 |
| 6 | 503 55 86-01 | 1 | NV4 | 1 |
| 7 | 501 83 44-02 | 1 | 13"-16" | |
| 7 | 501 83 44-05 | 1 | 18"-22" | |
| 7 | 501 83 45-02 | 1 | 24"-28" | |
| 8 | 537 24 43-01 | 1 | | |
| 9 | 537 16 89-01 | 1 | CS2186 | |
| 9 | 537 16 89-05 | 1 | CS2188 | |
| 10 | 537 16 89-02 | 1 | CS2188, W | |
| 11 | 537 20 11-01 | 1 | Winter kit | |
| 12 | 503 21 70-16 | 2 | | 11 |

Q CS2186, CS2188
OIL PUMP

Up to 060600001.



Page Q **CS2186** **OIL PUMP**
 CS2188

| Position | Article | Quantity | Notes | Kit |
|-----------------|----------------|-----------------|--------------|------------|
| 1 | 503 75 61-04 | 1 | | |
| 2 | 503 52 13-02 | 1 | | |
| 3 | 503 81 30-01 | 1 | | |
| 4 | 503 81 13-01 | 1 | | |