

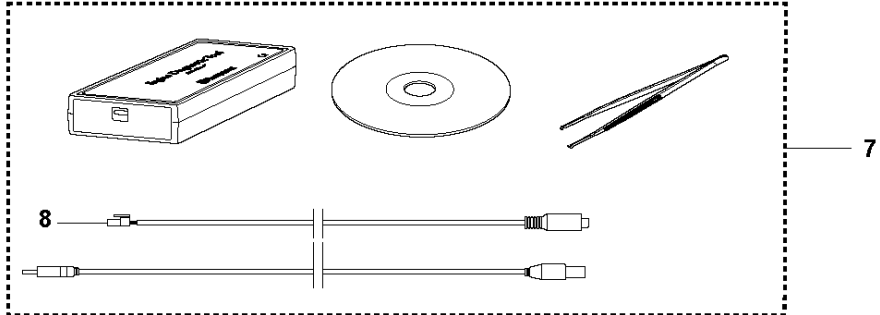
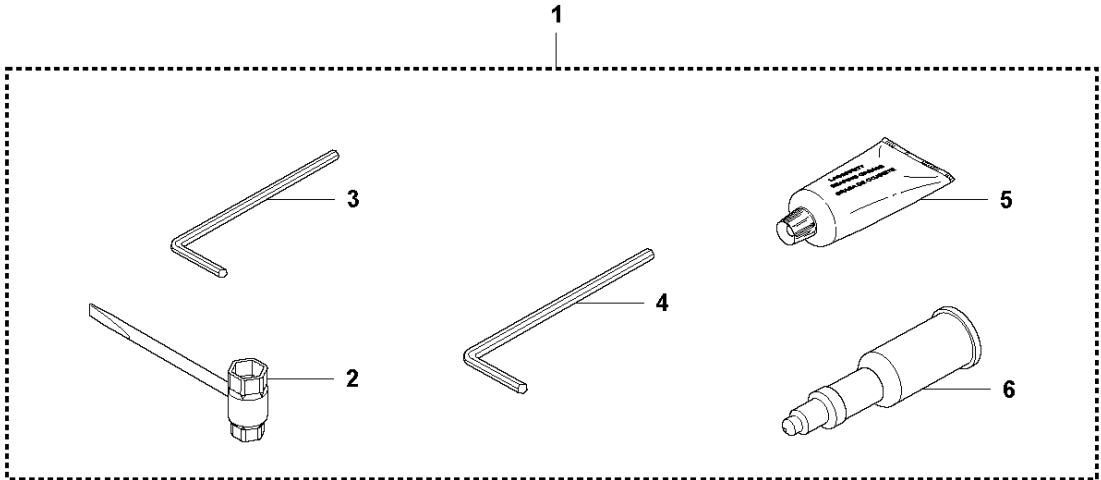


# SPARE PARTS LIST

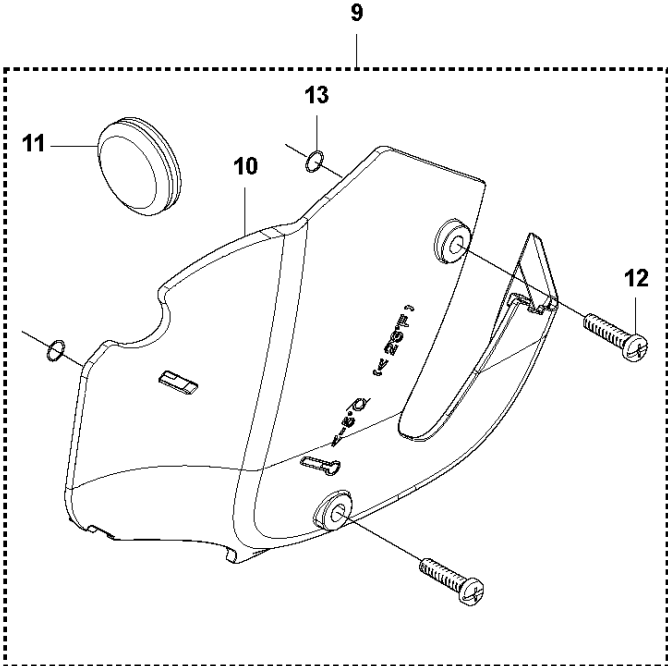
CHAIN SAWS

CS2252, 2012-07

**P** 2252  
ACCESSORIES



WINTER KIT 2252

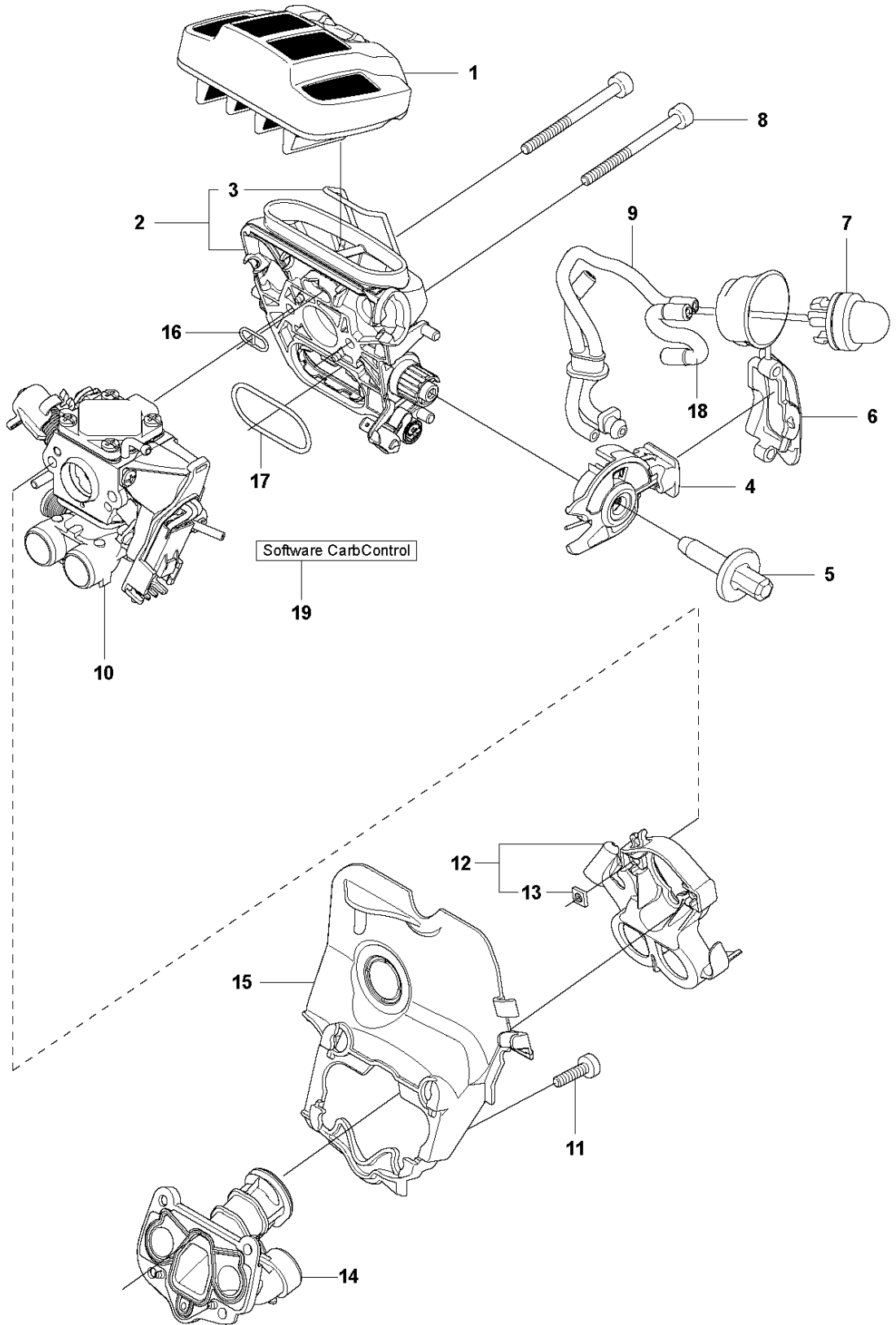


## ACCESSORIES

CS2252, 2012-07

Ref	Part no.	Description	Remark	Qty	Kit
1	575 43 92-01	TOOL		1	
2	522 52 11-01	COMBINATION WRENCH		1	1
3	503 55 86-01	SPANNER		1	1
4	503 55 86-02	SPANNER		1	1
5	503 62 12-01	GREASE		1	1
6	501 91 14-01	GREASE GUN		1	1
7	576 69 23-01	SERVICE TOOLS	Engine diagnostic tool	1	
8	576 18 34-01	CABLE ASSY	Diagnostics cable	1	7
9	522 98 66-02	WINTER KIT		1	
10	578 45 82-01	WINTER COVER		1	9
11	578 12 55-01	WINTER PLUG		1	9
12	503 21 70-16	SCREW CCRPANT		2	9
13	740 42 01-00	O-RING		2	9

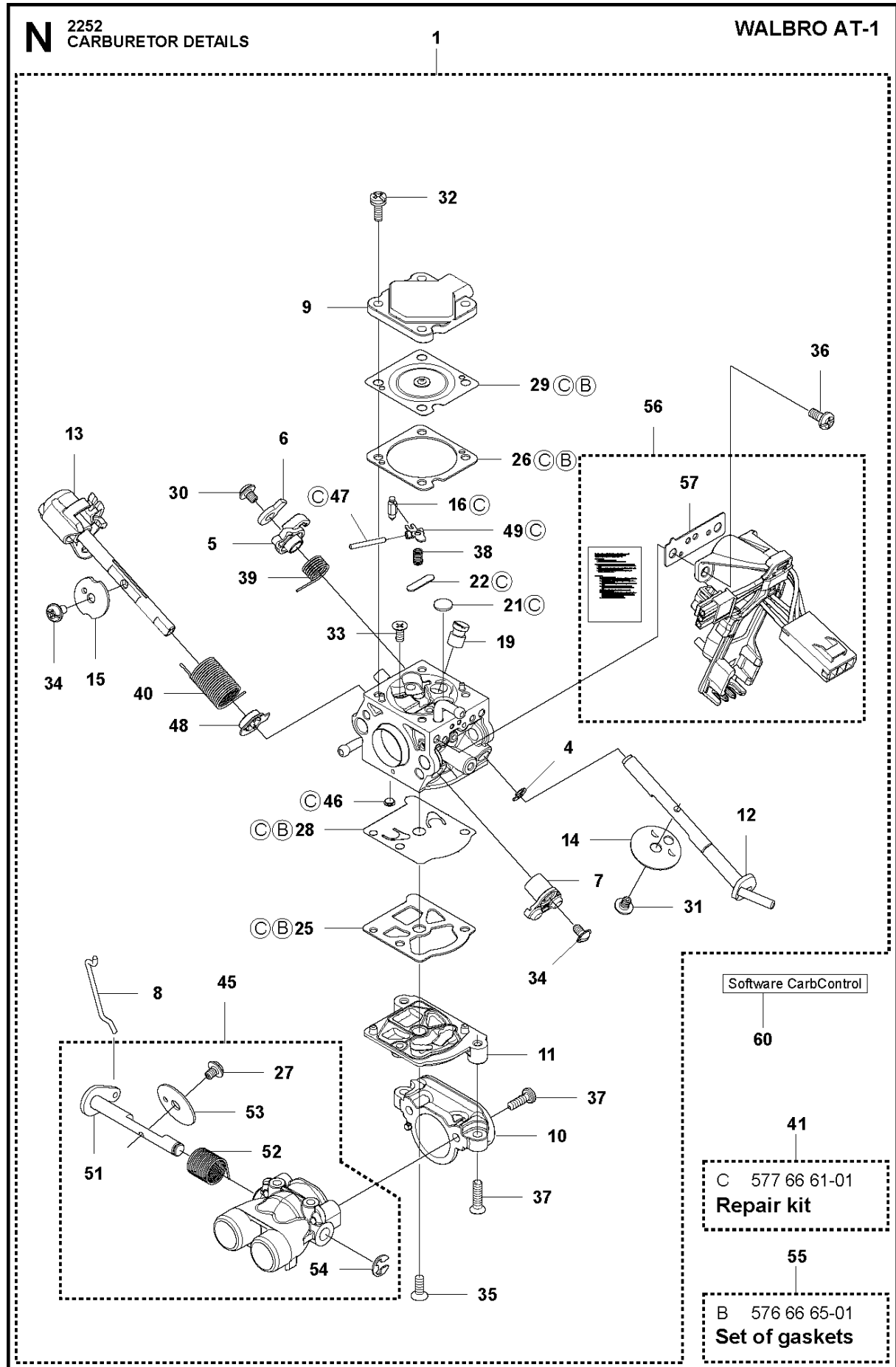
**G** 2252  
CARBURETOR & AIR FILTER



## CARBURETOR &amp; AIR FILTER

CS2252, 2012-07

Ref	Part no.	Description	Remark	Qty	Kit
1	522 67 54-01	AIR FILTER ASSY	NYLON 80 µm black	1	
1	522 67 54-02	AIR FILTER ASSY	NYLON 44 µm yellow	1	
1	522 67 54-03	AIR FILTER ASSY	FELT white	1	
2	522 90 76-01	FILTER HOLDER ASSY		1	
3	522 90 73-01	SHACKLE		1	2
4	510 01 72-01	CHOKE CONTROL ASSY		1	
5	505 15 62-01	SCREW		1	
6	525 58 81-01	SEALING		1	
7	503 93 66-01	PRIMER HOUSING		1	
8	503 20 25-50	SCREW IHSCM		2	
9	525 34 43-02	FUEL HOSE		1	
10	579 20 03-01	CARBURETTOR		1	
11	510 02 06-01	SCREW IHSCM		4	
12	523 06 40-01	FLANGE		1	
13	503 22 65-03	SQUARE NUT		2	12
14	525 50 00-02	INLET PIPE ASSY		1	
15	522 95 10-01	INTERMEDIATE WALL		1	
16	525 61 92-01	SEALING		1	
17	525 61 90-01	SEALING		1	
18	523 05 68-01	FUEL HOSE		1	
19	0	TBD	Download from your local supportsite		

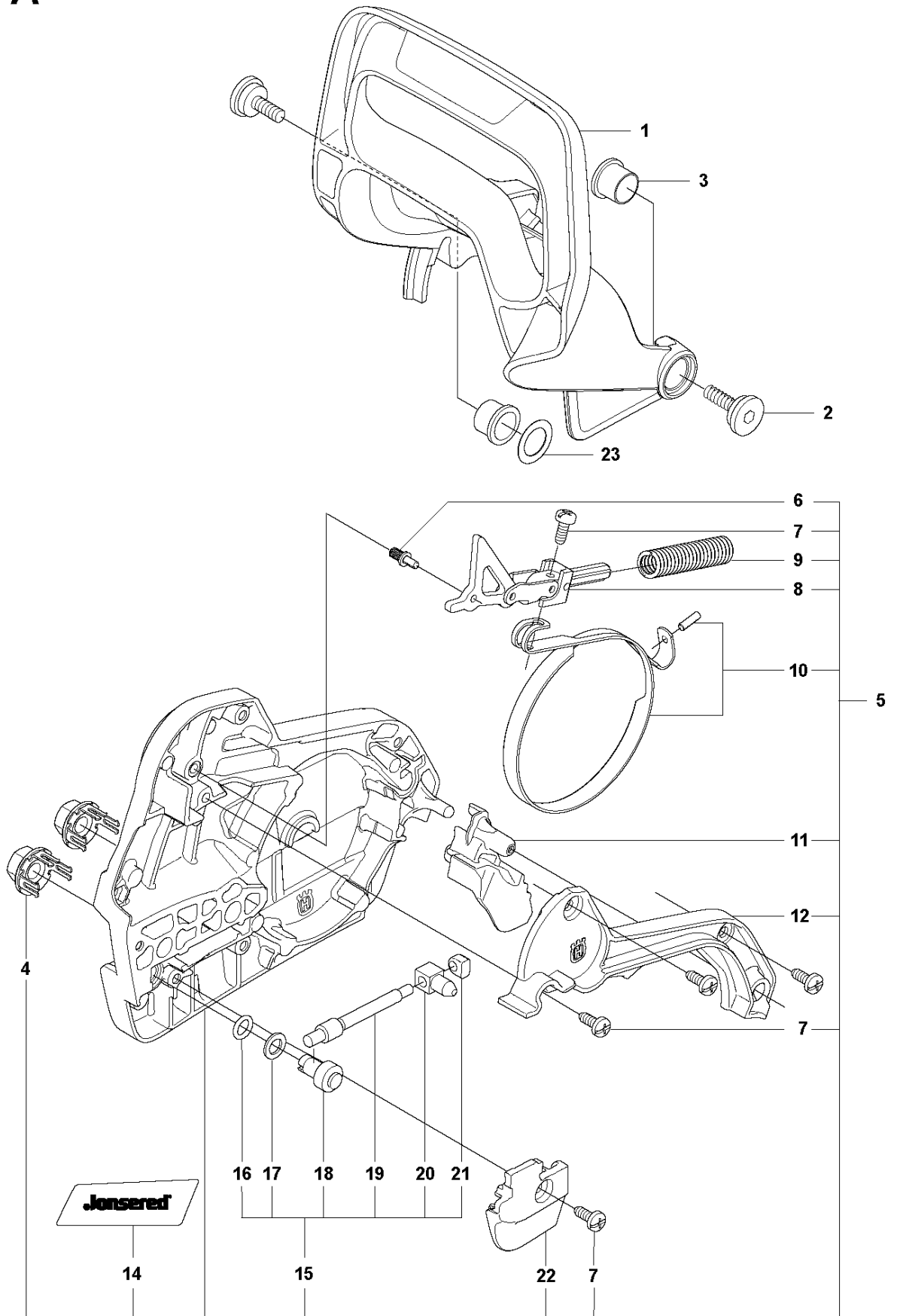


## CARBURETOR DETAILS

CS2252, 2012-07

Ref	Part no.	Description	Remark	Qty	Kit
1	579 20 03-01	CARBURETTOR	AT-1	1	
4	577 26 29-01	RETAINER		1	1
5	574 35 77-01	LEVER		1	1
6	576 61 85-01	LEVER		1	1
7	577 21 92-01	THROTTLE LEVER ASSY		1	1
8	574 35 79-01	LINK		1	1
9	574 35 81-01	COVER		1	1
10	575 79 48-01	INLET		1	1
11	575 79 47-01	COVER		1	1
12	574 35 84-01	SHAFT ASSY		1	1
13	574 35 82-01	SHAFT		1	1
14	574 35 85-01	VALVE		1	1
15	574 35 75-01	VALVE		1	1
16	503 56 34-01	VALVE INLET NEEDLE		1	1
21	504 79 08-01	PLUG		1	1
22	502 84 69-01	PLUG		1	1
25	504 13 09-06	GASKET		1	1
26	574 35 86-01	GASKET		1	1
19	576 61 88-01	NOZZLE ASSY		1	1
27	574 35 87-01	GASKET		1	1
28	577 01 66-01	DIAPHRAGM		1	1
29	574 35 88-01	DIAPHRAGM ASSY		1	1
30	501 46 87-01	SCREW		1	1
31	537 00 34-01	SCREW		1	1
32	537 00 31-01	SCREW		4	1
33	502 84 71-01	SCREW		1	1
34	544 11 15-01	SCREW		2	1
35	574 35 90-01	SCREW		1	1
36	574 35 91-01	SCREW		3	1
37	576 61 89-01	SCREW		4	1
38	503 56 24-01	SPRING		5	1
39	574 35 93-01	SPRING		1	1
40	574 35 94-01	SPRING		1	1
41	577 66 61-01	REPAIR KIT		1	
45	579 32 31-01	THROTTLE VALVE ASSY		1	1
46	501 66 61-01	SCREEN-INLET		1	1
47	505 52 01-25	PIN-METERING LEVER		1	1
48	574 35 96-01	BUSHING		1	1
49	502 84 74-01	LEVER		1	1
51	574 35 74-01	SHAFT ASSY		1	1
52	574 35 76-01	SPRING		1	1
53	576 61 90-01	VALVE		1	1
54	505 31 67-36	RING		1	1
55	576 66 65-01	GASKET KIT		1	
56	577 79 70-01	SPARE PARTS KIT		1	1
57	510 41 33-01	GASKET CARBURETTOR		1	1, 56
60	0	TBD	Download from your local supportsite		

**A** 2252  
CHAIN BREAK & CLUTCH COVER



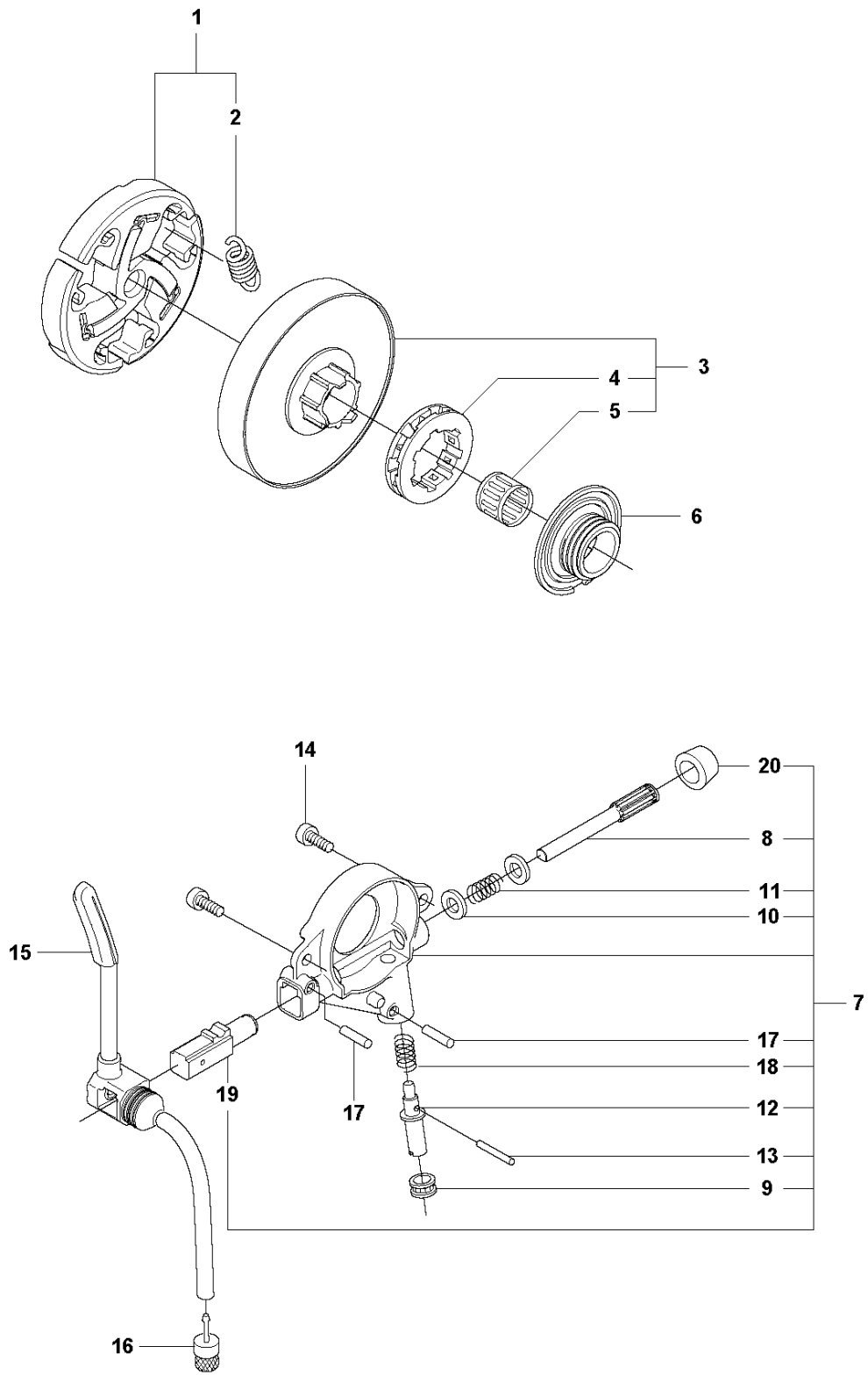


## CHAIN BRAKE &amp; CLUTCH COVER

CS2252, 2012-07

Ref	Part no.	Description	Remark	Qty	Kit
1	578 22 98-01	HAND GUARD		1	
2	537 20 90-01	SCREW		2	
3	537 20 28-01	BUSHING		2	
4	505 19 73-01	NUT RETAINER ASSY		2	
5	577 79 10-01	CLUTCH COVER ASSY		1	
6	503 75 18-01	PIN KNEE-JOINT		1	5
7	503 21 70-10	SCREW CCRPANT		5	5
8	505 19 93-01	KNEE JOINT ASSY		1	5
9	503 90 83-01	BRAKE SPRING		1	5
10	505 19 95-01	BRAKE BAND ASSY		1	5
11	505 20 16-01	GUARD		1	5
12	505 19 97-02	COVER		1	5
14	578 03 75-01	DECAL		1	5
15	575 26 04-01	CHAIN TENSIONER KIT		1	5
16	740 48 07-02	O-RING		1	15, 5
17	503 23 00-63	WASHER		1	15, 5
18	537 07 94-03	WORM WHEEL		1	15, 5
19	575 61 03-01	WORM SCREW		1	15, 5
20	537 28 66-02	PAWL		1	15, 5
21	537 01 74-01	BEARING SLEEVE		1	15, 5
22	505 19 98-02	CHAIN GUIDE		1	5
23	503 23 00-85	WASHER STEEL		1	

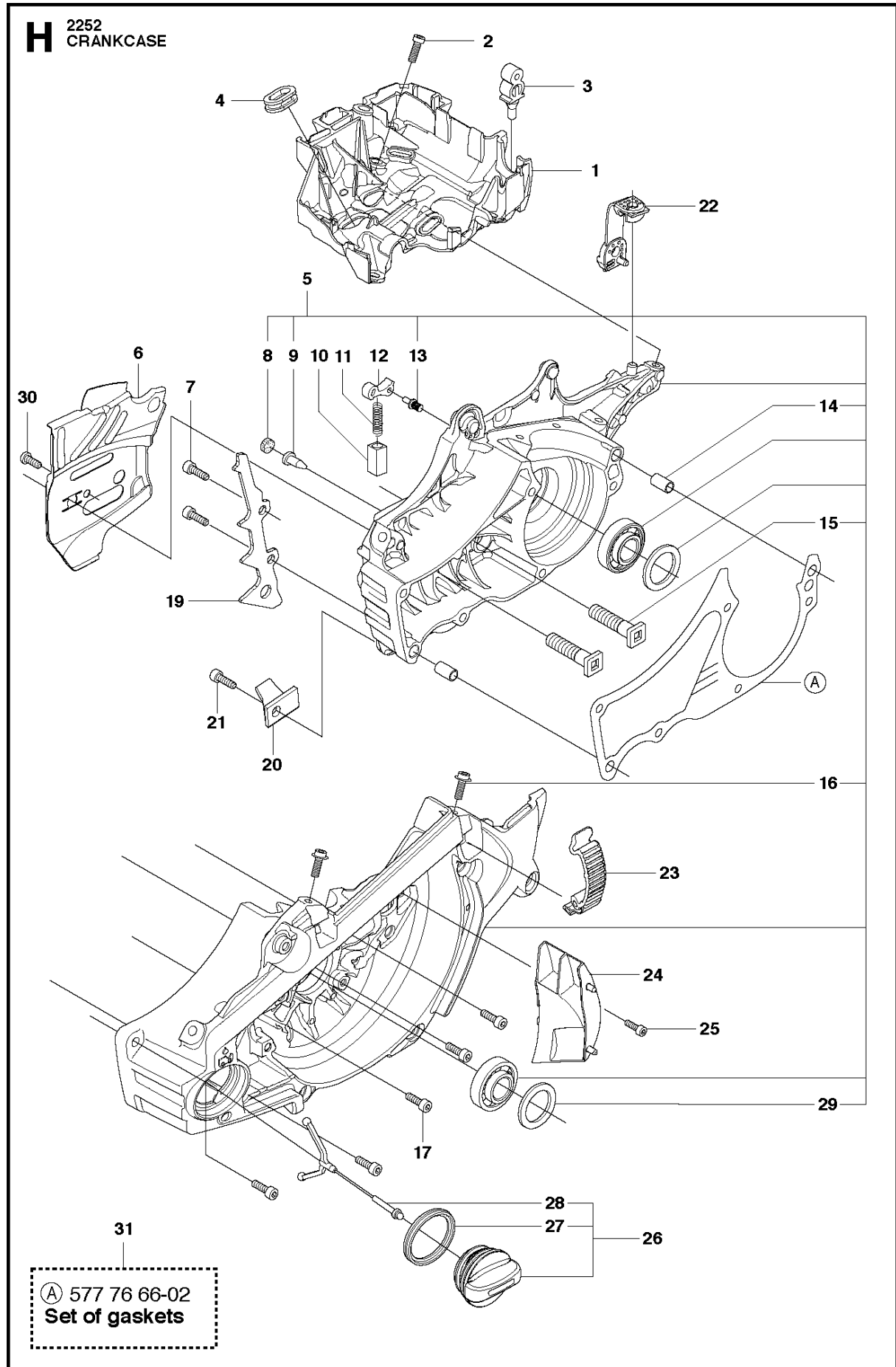
**B** 2252  
CLUTCH & OIL PUMP



## CLUTCH &amp; OIL PUMP

CS2252, 2012-07

Ref	Part no.	Description	Remark	Qty	Kit
1	574 23 61-01	CLUTCH ASSY		1	
2	537 16 69-01	CLUTCH SPRING		3	1
3	575 26 10-03	CLUTCH DRUM ASSY	".325""x7"	1	
4	501 45 74-02	RIM	".325""x7"	1	3
5	503 25 34-01	NEEDLE BEARING		1	3
6	505 20 08-01	WORM WHEEL		1	
7	505 19 99-01	OIL PUMP ASSY		1	
8	505 20 02-01	PUMP PISTON		1	7
9	505 20 03-01	CASING		1	7
10	503 23 00-60	WASHER		2	7
11	503 89 16-01	SPRING		1	7
12	505 20 14-01	ADJUSTING SCREW		1	7
13	721 11 64-30	GROOVED PIN		1	7
14	510 02 06-01	SCREW IHSCM		2	
15	505 20 04-01	OIL HOSE		1	
16	504 71 00-03	OIL PLUMMET		1	
17	720 12 33-00	PARALLEL PIN		2	7
18	503 89 15-01	SPRING		1	7
19	505 20 01-01	PUMP CYLINDER		1	7
20	503 62 49-01	SEALING PLUG		1	7

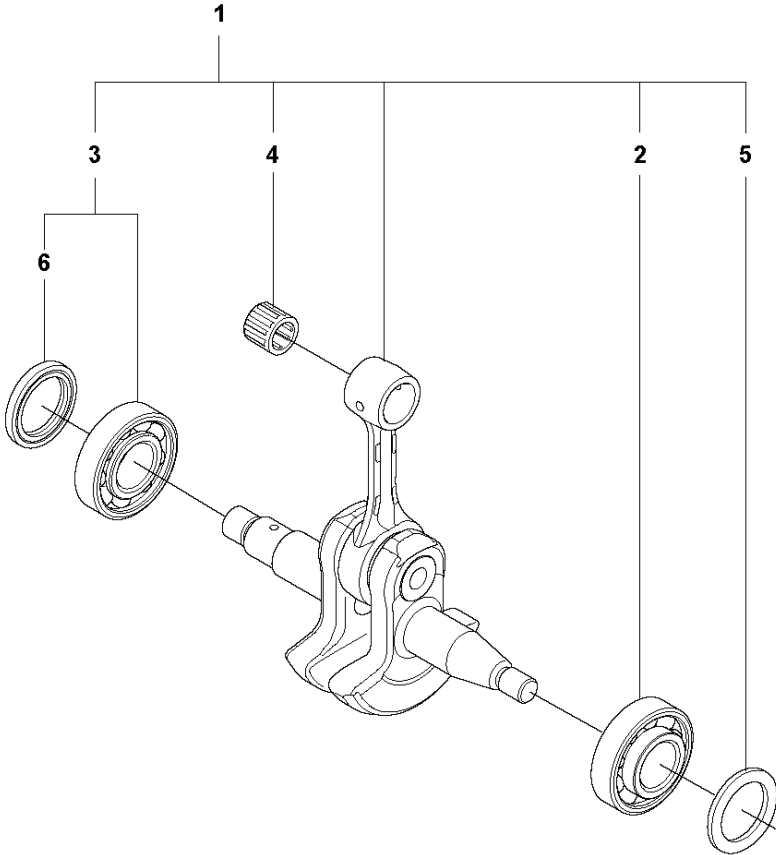


## CRANKCASE

CS2252, 2012-07

Ref	Part no.	Description	Remark	Qty	Kit
1	525 40 32-02	CARBURETTOR AREA BASE		1	
2	503 20 02-16	SCREW IHSCFM		4	
3	503 86 93-01	CARBURETTOR MOUNTING		2	
4	537 08 83-01	GROMMET		1	
5	577 83 47-03	CRANKCASE ASSY		1	
6	522 74 28-01	CHAIN GUIDE PLATE		1	
7	503 21 26-16	SCREW IHPANM		2	
8	537 40 35-01	FILTER		1	5
9	530 02 61-19	CHECK VALVE		1	5
10	537 21 07-01	SPRING GUIDE		1	
11	503 43 65-01	POSITION SPRING		1	
12	505 20 12-01	CATCH		1	
13	503 75 18-01	PIN KNEE-JOINT		1	5
14	501 27 08-01	GUIDE BUSHING		2	5
15	505 21 73-01	BAR BOLT		2	5
16	505 11 15-01	SCREW IHSCM		2	5
17	725 53 33-55	SCREW IHSCM		5	
19	578 40 05-01	SPIKE		1	
20	537 37 79-02	CHAIN CATCHER		1	
21	503 21 88-76	SCREW IHSCFT		1	
22	505 12 58-01	DEFLECTION LIMITER		1	
23	503 89 47-02	SNAP		3	
24	525 41 74-01	AIR NOZZLE		1	
25	510 02 06-01	SCREW IHSCM		1	
26	505 41 52-03	TANK CAP ASSY		1	
27	537 21 50-01	SEALING		1	26
28	503 57 89-03	HOLDER		1	26
29	525 39 12-01	RADIAL SEAL		1	5
30	525 88 74-01	SCREW CITXPANT		1	
31	577 76 66-02	GASKET KIT	A=set of gaskets	1	

**E** 2252  
CRANKSHAFT

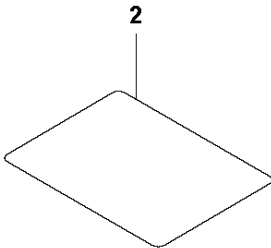
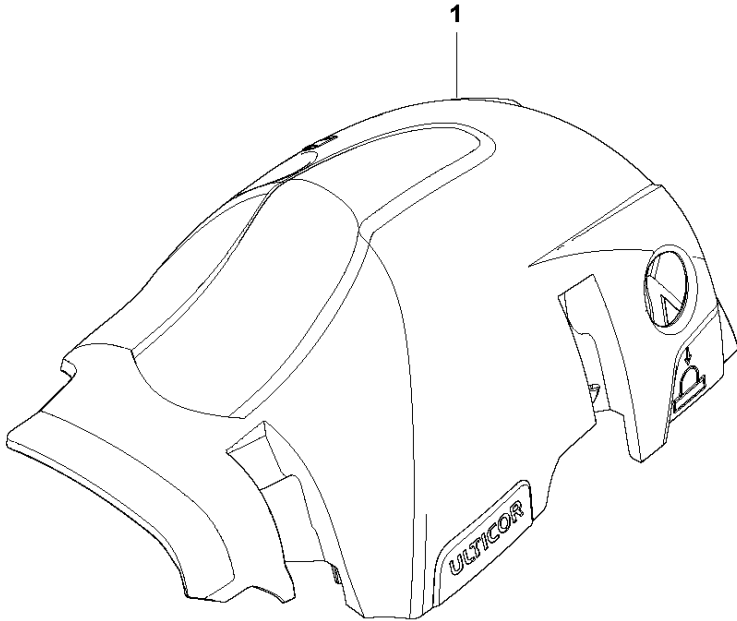


## CRANKSHAFT

CS2252, 2012-07

Ref	Part no.	Description	Remark	Qty	Kit
1	577 76 73-02	CRANKSHAFT ASSY		1	
2	505 13 35-01	BALL BEARING		2	1
3	525 43 42-01	BALL BEARING		1	1
4	503 25 63-01	NEEDLE BEARING		1	1
5	525 39 12-01	RADIAL SEAL		2	1
6	505 41 61-01	RADIAL SEAL		1	1, 3

**C** 2252  
CYLINDER COVER



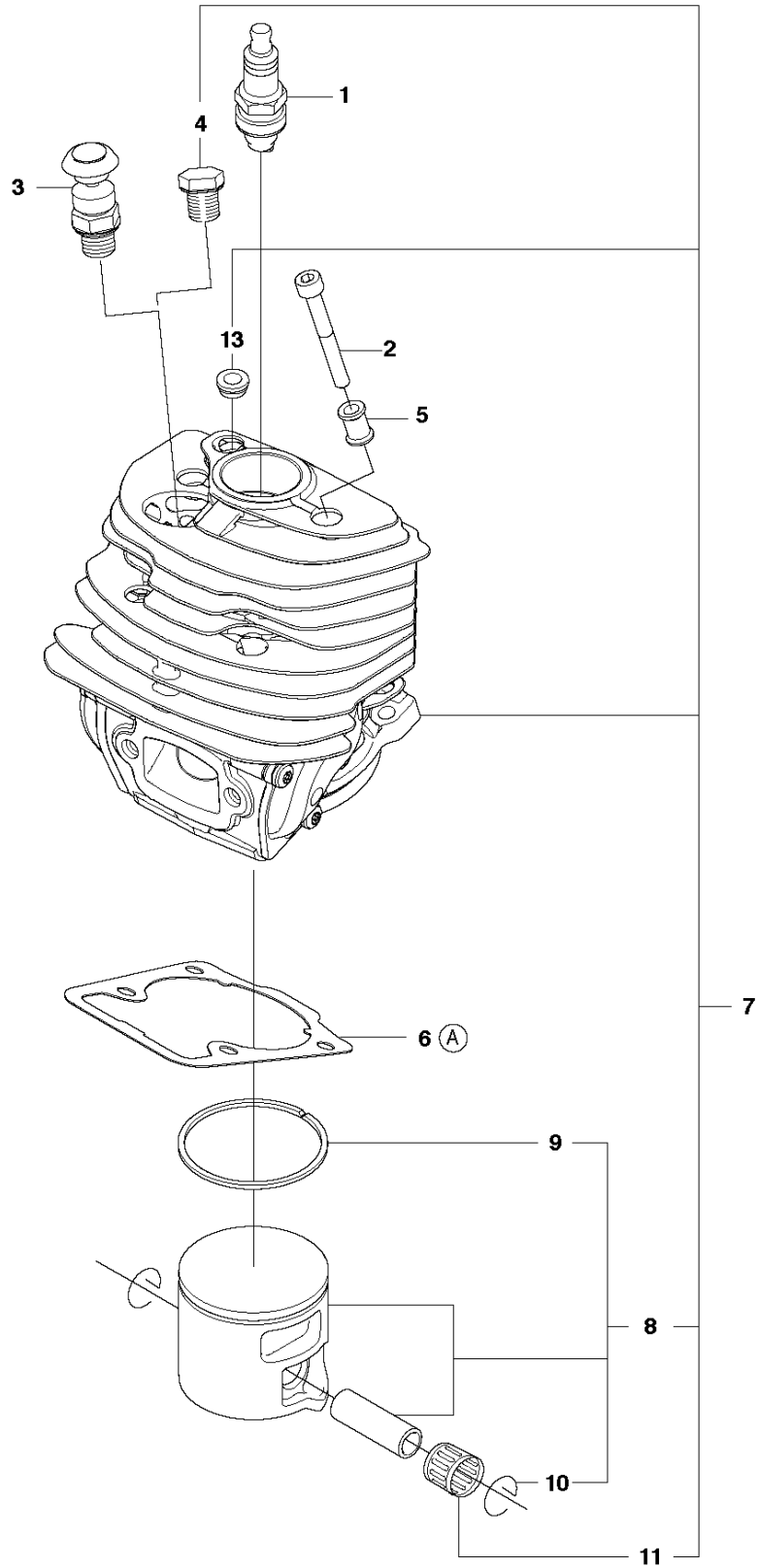


CYLINDER COVER

CS2252, 2012-07

Ref	Part no.	Description	Remark	Qty	Kit
1	578 22 97-01	CYLINDER COVER		1	
2	537 07 23-01	HEAT PROTECTOR		1	

**D** 2252  
CYLINDER PISTON



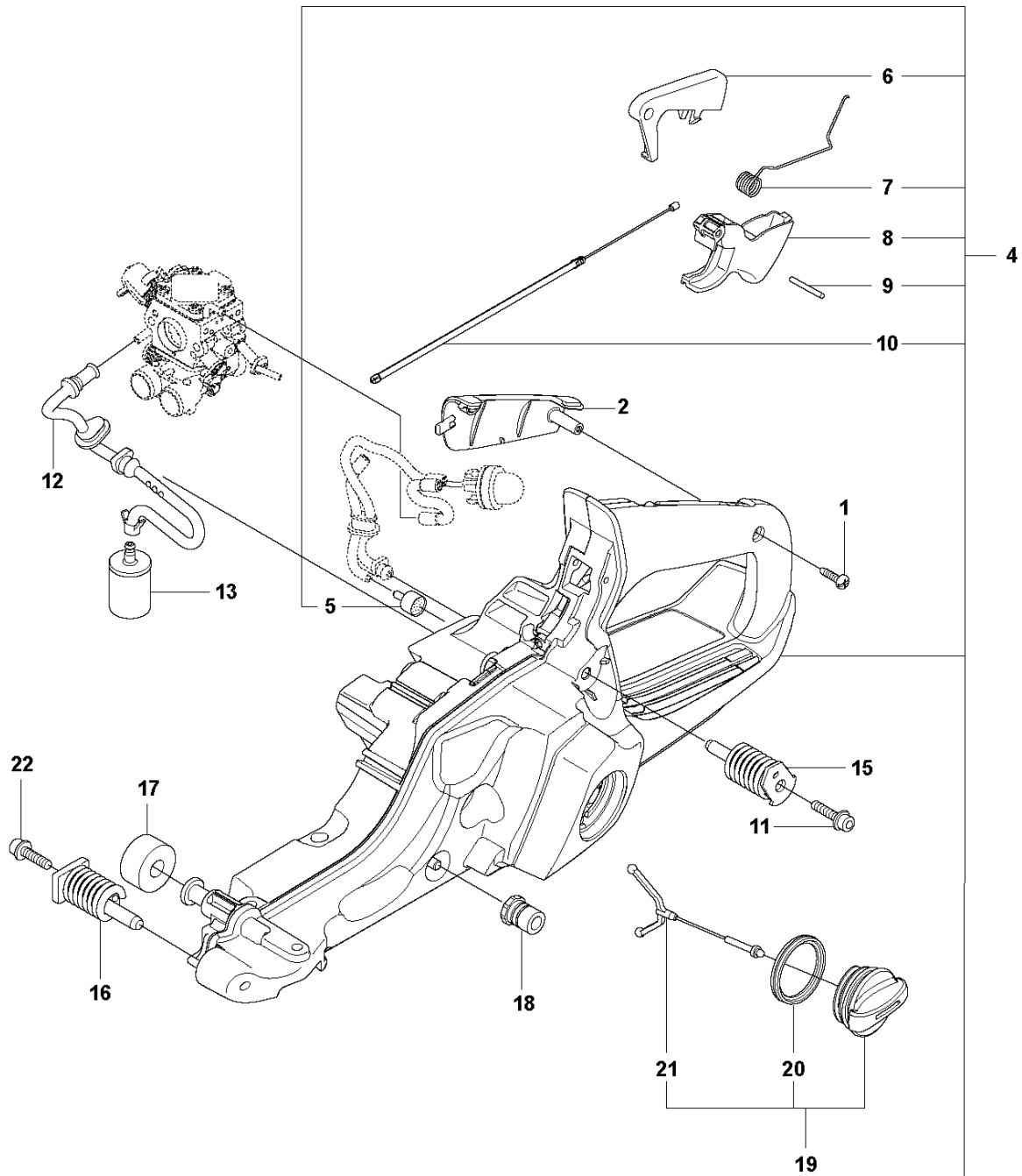
12  
Ⓐ 577 76 66-02  
Set of gaskets

## CYLINDER PISTON

CS2252, 2012-07

Ref	Part no.	Description	Remark	Qty	Kit
1	574 51 96-01	SPARK PLUG		1	
2	725 53 39-55	SCREW IHSCM		4	
3	575 27 69-01	DECOMPRESSION VALVE		1	
4	503 55 22-01	PLUG		1	
5	576 71 76-02	SLEEVE		4	
6	525 31 58-01	GASKET		1	12
7	577 76 47-02	CYLINDER-PISTON ASSY		1	
8	577 04 70-02	PISTON ASSY		1	7
9	577 95 83-01	PISTON RING		1	8, 7
10	737 44 10-00	SNAP RING		2	8, 7
11	503 25 63-01	NEEDLE BEARING		1	7
12	577 76 66-02	GASKET KIT	A=set of gaskets	1	
13	520 29 11-01	BUSHING		1	7

**J** 2252  
FUEL TANK

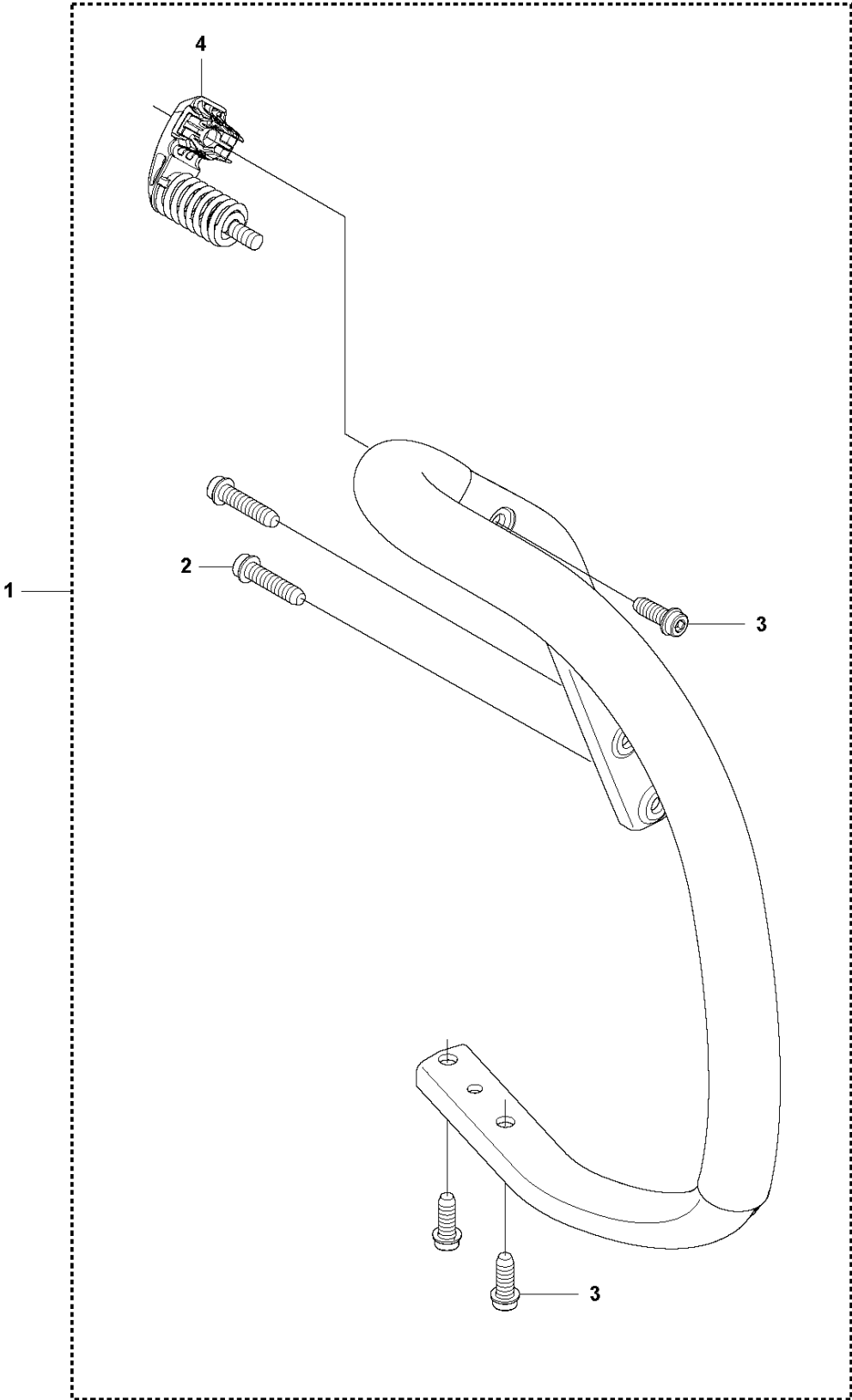


## FUEL TANK

CS2252, 2012-07

Ref	Part no.	Description	Remark	Qty	Kit
1	503 21 28-13	SCREW CCRPANT		1	
2	504 10 63-02	HANDLE INSERT		1	
4	580 88 71-01	FUEL TANK ASSY		1	
5	537 35 95-01	TANK VENT ASSY		1	4
6	544 09 98-02	THROTTLE LOCKOUT		1	4
7	544 09 99-01	SPRING		1	4
8	505 15 77-02	THROTTLE		1	4
9	720 18 25-20	PARALLEL PIN		1	4
10	521 88 79-01	THROTTLE CABLE ASSY		1	4
11	503 21 88-74	SCREW IHSCFT		1	
12	573 99 35-03	FUEL HOSE		1	
13	503 44 32-01	FILTER		1	
15	578 22 74-01	ANTIVIBRATION ELEMENT		1	
16	505 12 87-01	ANTIVIBRATION ELEMENT		1	
17	523 08 55-01	DEFLECTION LIMITER		1	
18	501 00 76-01	LATERAL SUPPORT		1	
19	544 11 12-02	TANK CAP ASSY		1	
20	537 21 50-01	SEALING		1	19
21	503 57 89-03	HOLDER		1	19
22	503 21 88-76	SCREW IHSCFT		1	
23	577 84 43-01	DECAL		1	4

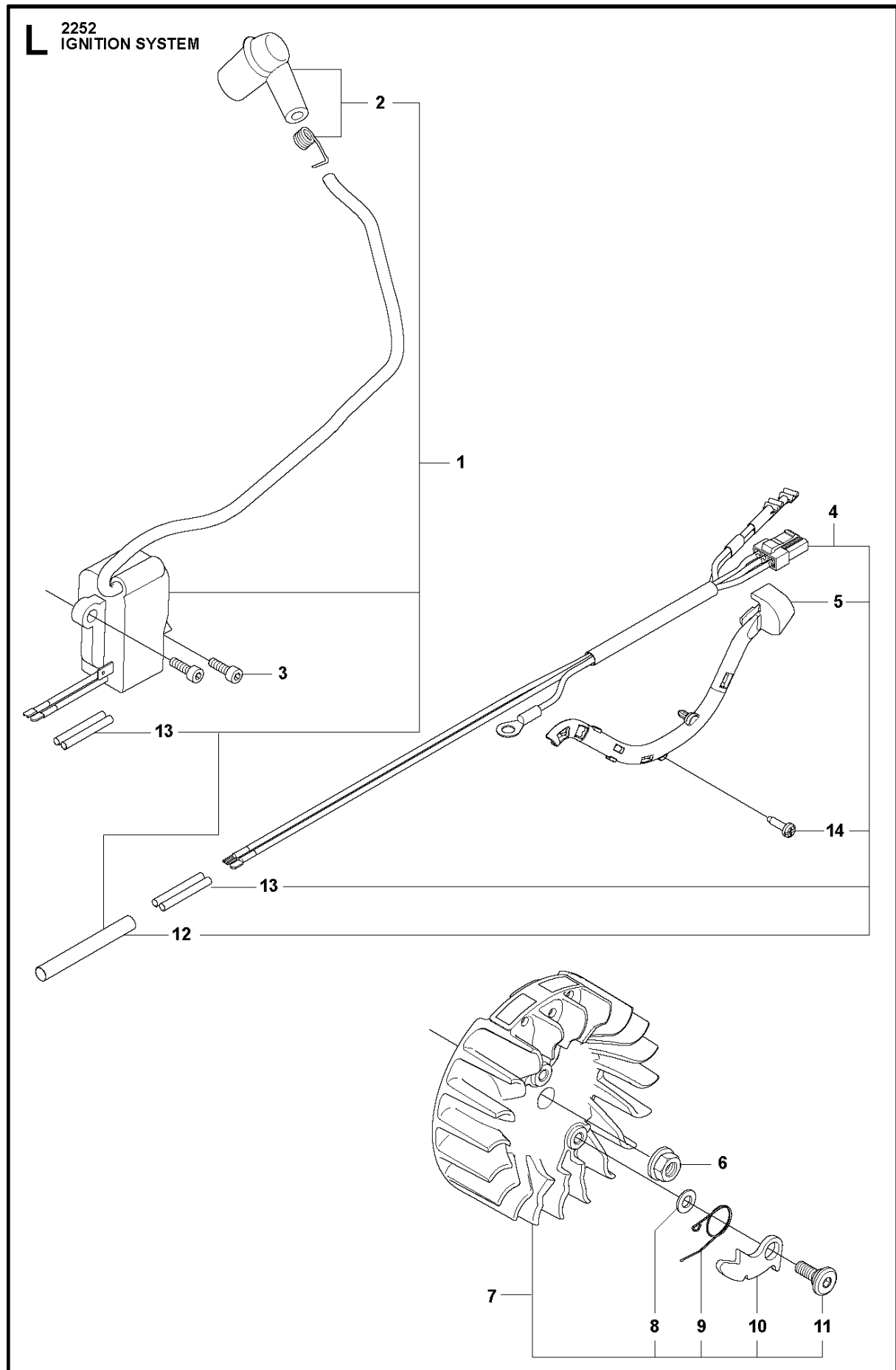
**K** 2252  
HANDLE



## HANDLE

CS2252, 2012-07

Ref	Part no.	Description	Remark	Qty	Kit
1	580 89 16-01	FRONT HANDLE ASSY		1	
2	503 21 88-76	SCREW IHSCFT		2	1
3	503 21 88-72	SCREW IHSCFT		4	1
4	522 95 15-02	ANTIVIBRATION ELEMENT		1	1



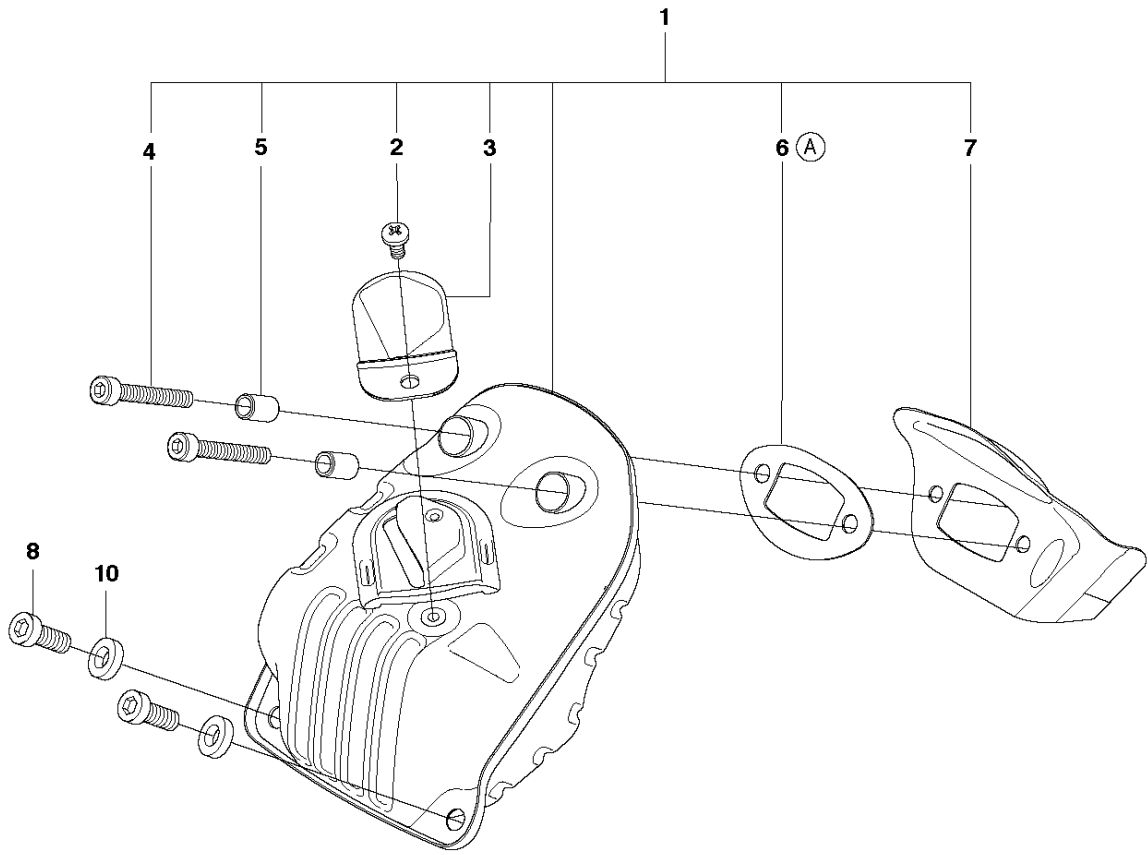


## IGNITION SYSTEM

CS2252, 2012-07

Ref	Part no.	Description	Remark	Qty	Kit
1	577 79 07-02	IGNITION MODULE ASSY		1	
2	501 48 54-04	SPARK PLUG CAP ASSY		1	1
3	503 20 02-20	SCREW IHSCFM		2	1
4	575 43 06-01	WIRING ASSY		1	
5	505 17 82-01	CABLE HOLDER		1	4
6	503 22 04-01	NUT		1	
7	522 93 78-01	FLYWHEEL ASSY		1	
8	503 23 00-42	WASHER		2	7
9	501 67 35-01	SPRING		2	7
10	501 67 32-01	PAWL		2	7
11	501 81 99-01	SCREW		2	7
12	504 04 35-05	CABLE COVER		1	1,4
13	503 23 85-01	SHRINKAGE HOSE		2	4
14	503 21 28-13	SCREW CCRPANT		1	4

**F** 2252  
MUFFLER



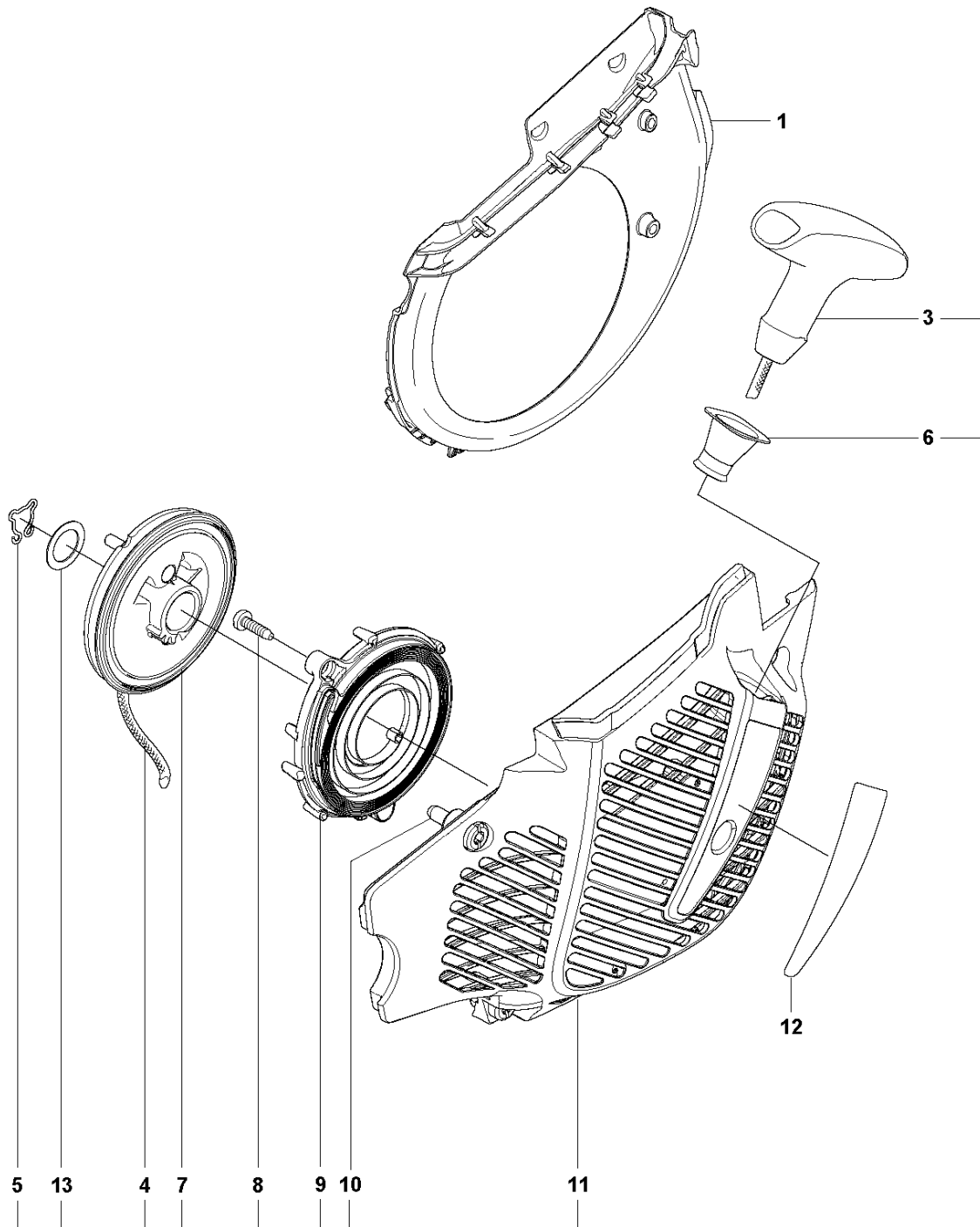
9  
Ⓐ 577 76 66-02  
Set of gaskets

## MUFFLER

CS2252, 2012-07

Ref	Part no.	Description	Remark	Qty	Kit
1	523 05 26-02	MUFFLER KIT		1	
2	724 12 87-59	SCREW CRPANM		1	1
3	576 89 02-01	SPARK ARRESTER		1	1
4	725 53 76-55	SCREW IHSCM		2	1
5	577 65 63-01	SLEEVE		2	1
6	523 05 24-01	GASKET MUFFLER		1	1, 9
7	523 05 25-01	HEAT DEFLECTOR		1	1
8	503 20 73-20	SCREW IHSCM		2	
9	577 76 66-02	GASKET KIT	A=set of gaskets	1	
10	577 90 22-01	WASHER		2	

**M** 2252  
STARTER



5 13 4 7 8 9 10 11

2



## STARTER

CS2252, 2012-07

Ref	Part no.	Description	Remark	Qty	Kit
1	522 79 62-01	COOLING AIR CONDUCTOR		1	
2	578 38 58-02	STARTER ASSY		1	
3	544 37 65-01	STARTER HANDLE		1	2
4	505 30 51-25	STARTER CORD		1	2
5	575 85 76-01	CLIPS		1	2
6	537 28 32-01	REINFORCEMENT SLEEVE		1	2, 11
7	505 15 81-01	STARTER PULLEY ASSY		1	2
8	503 21 28-13	SCREW CCRPANT		2	2
9	505 15 79-01	SPRING CASSETTE ASSY		1	2
10	544 08 03-01	SCREW CIHPANMO		4	2
11	578 38 57-01	STARTER HOUSING		1	2
12	579 54 66-01	DECAL		1	
13	505 15 85-01	WASHER		1	2