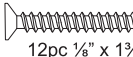
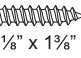


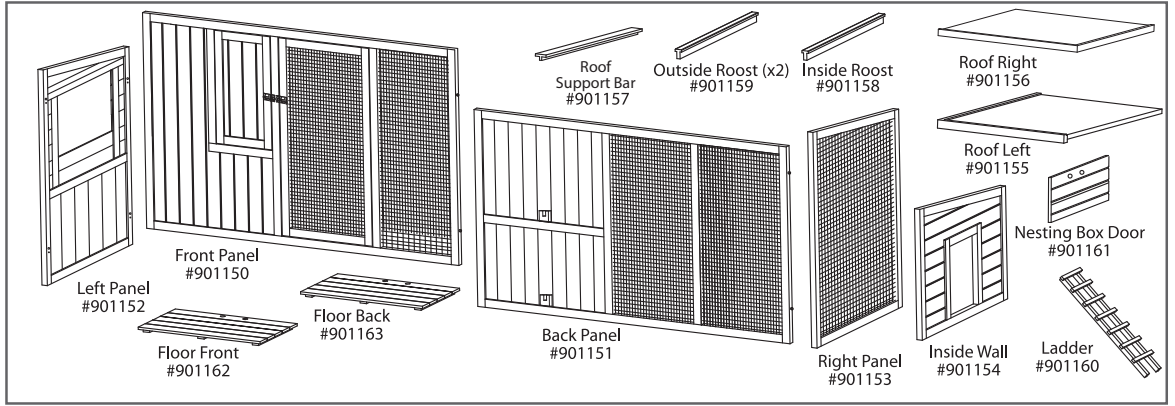


Premium+ Chick-N-Cottage Assembly Instructions

Item #14060

Tools Required: Standard Screwdriver

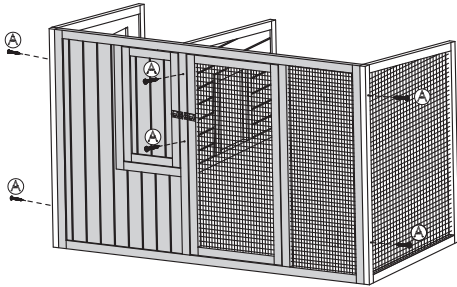
- A**  12pc 1/8" x 1 1/4"
- B**  2pc 1/8" x 1 5/8"
- C**  4pc 1/8" x 1"
- D** 4pc 1/8" x 5/8"
-  Roof Hinge (x2)
- Hardware Pack #901164



Congratulations on the purchase of your Ware Premium+ Chick-N-Cottage. The quality construction will provide your pet with a comfortable environment. Plus, assembly is quick and easy!

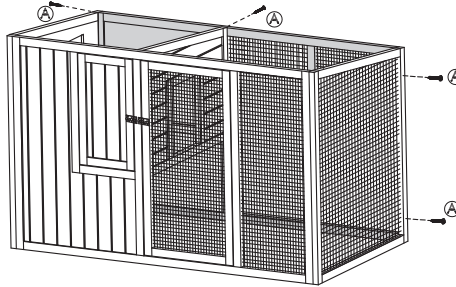
STEP 1

Connect the Front Panel to the Wooden Left Panel and the Mesh Right Panel using 4 - 1 1/4" screws (A). Attach the Inside Wall to the center of the Front Panel with 2 - 1 1/4" screws (A).



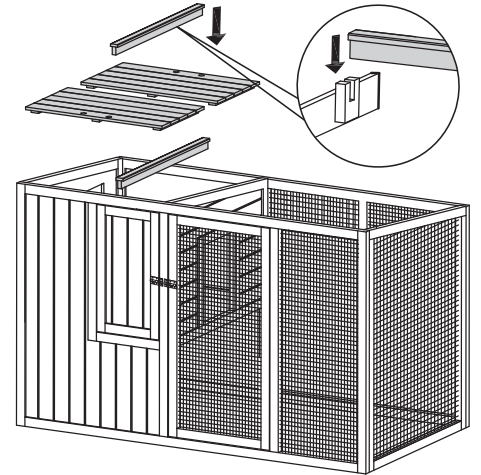
STEP 2

Attach the Back Panel to assembled hutch using 6 - 1 3/4" screws (A).



STEP 3

Place the two floor panels in place inside. Attach the Inside Roost above the floor in the hutch.



STEP 4

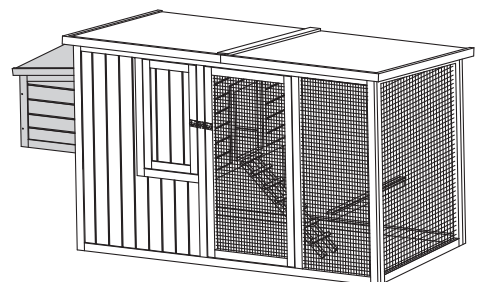
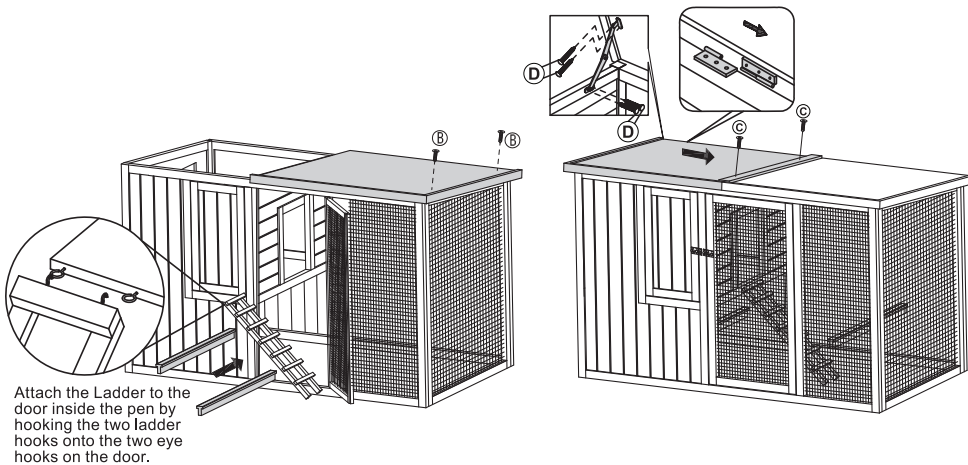
Attach the Roof Right piece onto the top of the pen using 2 - 1 5/8" screws (B). Attach the two Outdoor Roosts inside the pen.

STEP 5

Attach Roof Left piece by sliding the two hinge parts together as shown, then secure with 2 - 1" Screws (C). Attach the locking Roof Support using 4 - 5/8" screws (D).

STEP 6

Your Chick-N-Cottage assembled!



Attach the Ladder to the door inside the pen by hooking the two ladder hooks onto the two eye hooks on the door.

TIP: The nesting box door can be removed to allow addition of the Ware Premium+ Universal Chicken Nesting Box (Item #01475).

Care Tip

To protect the wood on your hutch you need to re-apply the protective stain finish at least 1x each year. Use a safe and non-toxic water based stain (available at your local paint or hardware center). Keep hutch in a safe area away from high winds and extreme temperatures.

Item #14060



If you have any questions or concerns,
DO NOT RETURN TO STORE.
Contact our customer service department at 1-800-295-2243
and we will help you with any problems, Mon-Fri 8:00 - 4:00 MST
or through our website at www.waremginc.com.

**Chicken
WARE**

#30014060