

ASSEMBLY INSTRUCTIONS

CUSTOMER SERVICE

M-F 9:00AM-4:00PM CDT

Phone:855-965-5310

Email:customerservice@fjkhomproducts.com

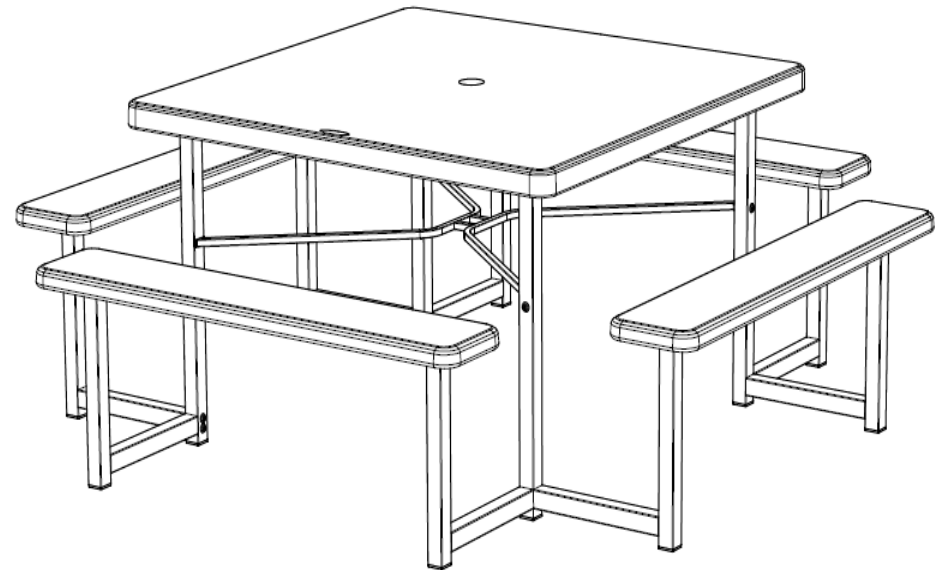
Website:fjkhomproducts.com

MADE IN CHINA

ASSEMBLY INSTRUCTIONS



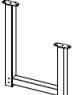

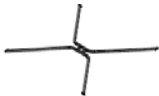





49" BLOW MOLED SQUARE PICNIC TABLE

STYLE#: QT-5924-03



ASSEMBLY INSTRUCTIONS

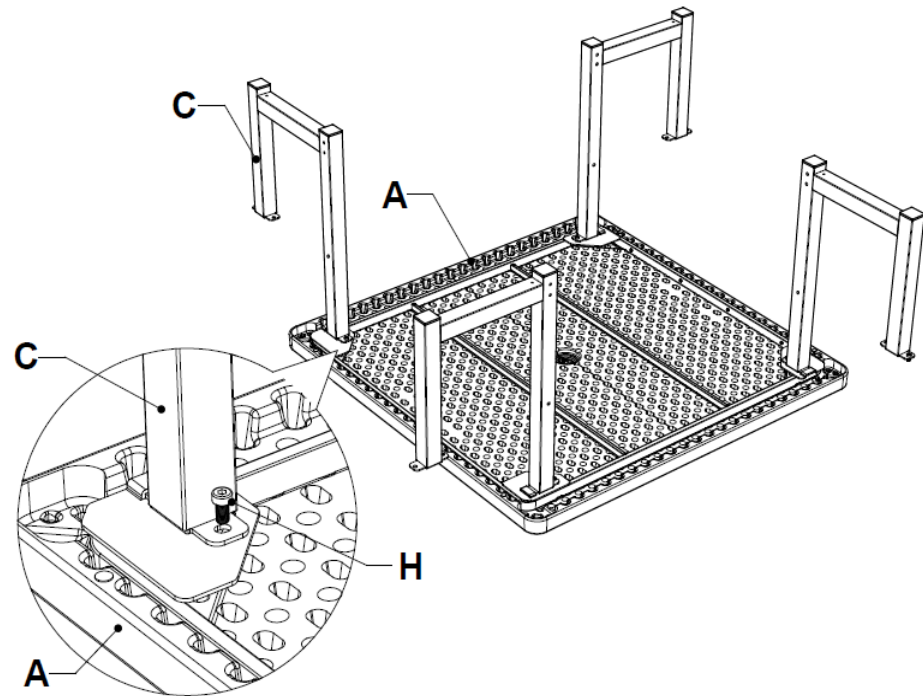
Part List

Part	Description	Drawing	Q'ty
A	Table Top		1
B	Bench Seat		4
C	"U" Foot Stand		4
D	"L" Foot Stand		4
E	Link Stand		1
F	Long Screw		8
G	Medium Screw		4
H	Short Screw		12
I	Washer		12
J	Allen Wrench		1

ASSEMBLY INSTRUCTIONS

Step1:

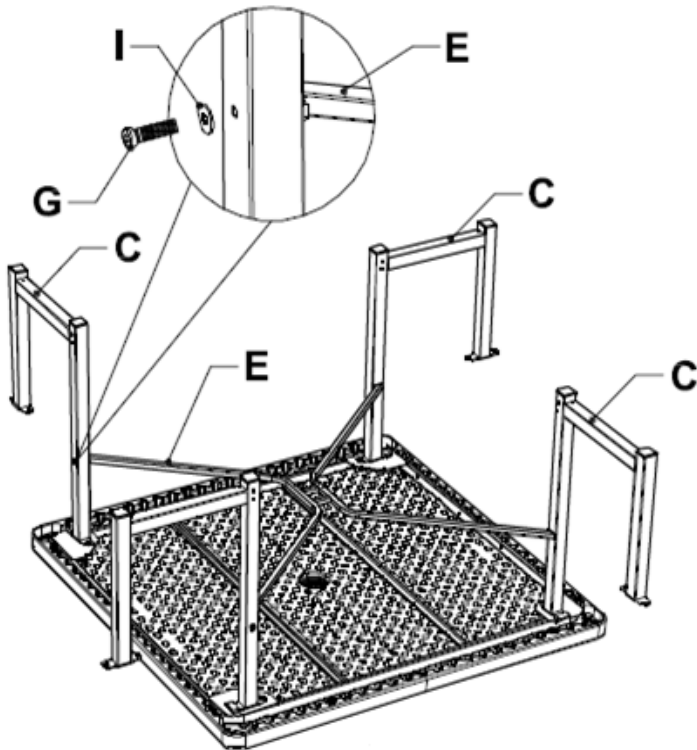
1. Place table top (A) upside down on a clean, dry, soft surface.
2. Use Short Screws (H) to attach each "U" Foot Stand (C) to the underside of the table top as indicated in the drawing.
3. Please tighten screws firmly BEING CAREFUL NOT TO OVER TIGHTEN SCREWS to prevent damage to product.



ASSEMBLY INSTRUCTIONS

Step2 :

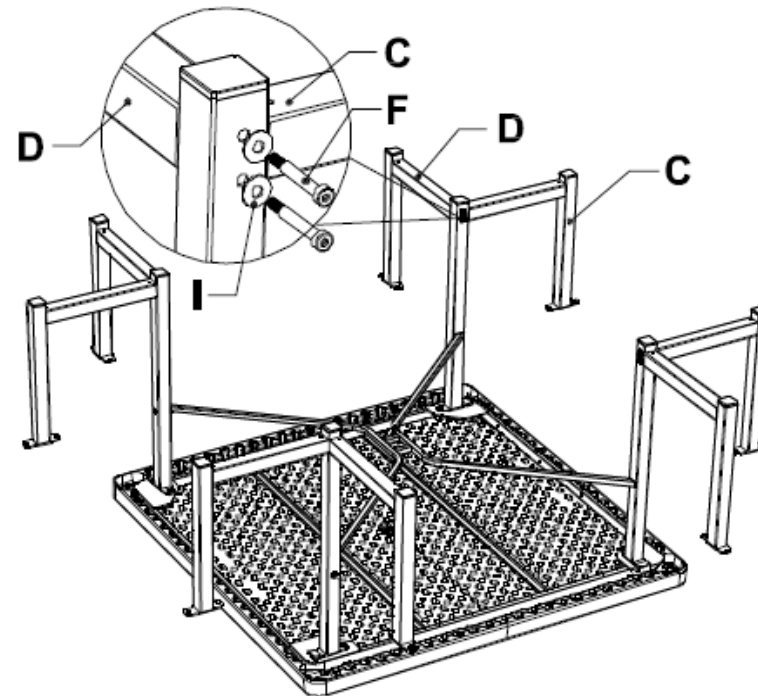
1. Using Medium Screws (G), attach the Link Stand (E) onto the "U" Foot Stand (C) as indicated in the drawing. Place a Washer (I) between the Medium Screws (G) and the "U" Foot Stand.
2. Please tighten screws firmly BEING CAREFUL NOT TO OVER TIGHTEN SCREWS to prevent damage to product.



ASSEMBLY INSTRUCTIONS

Step3 :

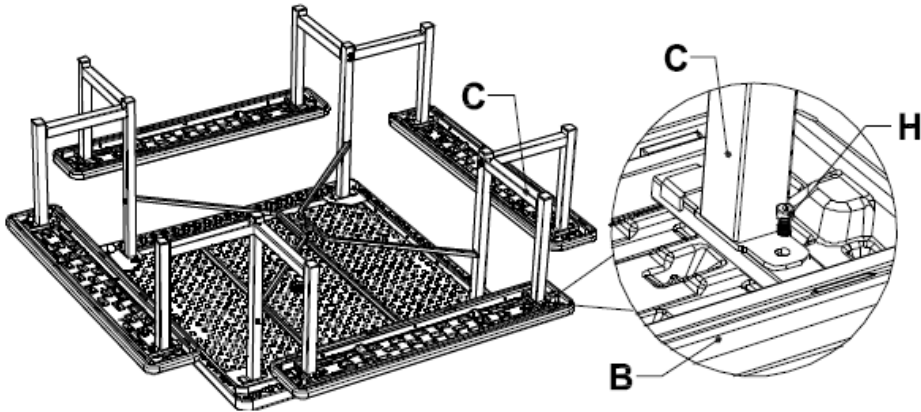
1. Using Long Screws (F) attach the "L" Foot Stand (D) to the "U" Foot Stand (C), placing the Washer (I) between the Long Screw (H) and the "U" Foot Stand (C) as indicated in the drawing.
2. Please tighten screws firmly BEING CAREFUL NOT TO OVER TIGHTEN SCREWS to prevent damage to product.



ASSEMBLY INSTRUCTIONS

Step4 :

1. Using Short Screws (H), attach the Bench Seat (B) to the "U"Foot Stand and the "L" Food Stand as indicated in the drawing.
2. Please tighten screws firmly BEING CAREFUL NOT TO OVER TIGHTEN SCREWS to prevent damage to product.
3. Turn picnic table right side up when assembly is completed.
You may now enjoy your new picnic table!



ASSEMBLY INSTRUCTIONS

WARNING

To avoid serious personal injury or damage, please comply to the following warnings:

1. NEVER sit or stand on this table. It could tip over causing you to fall.
2. In case of missing or initially defective parts, please call the AFTER SALES SUPPORT number listed at the bottom of each page of Assembly Instructions.