

Assembled Dimensions

Distributed by:  
 TRACTOR SUPPLY COMPANY  
 200 POWELL PLACE  
 BRENTWOOD, TN 37027  
 For customer support,  
 call: 1-888-376-9601  
 www.TractorSupply.com

Approximate assembly time: **30 Minutes**

People for assembly:

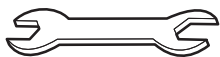


Required assembly space:  
 Floor area 9 ft. x 9 ft. (3 m x 3 m)

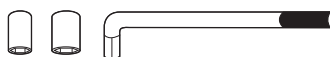


Required assembly tools (Not included):

Caution: Hand tools only, use of power tools could damage product.



Open end wrench



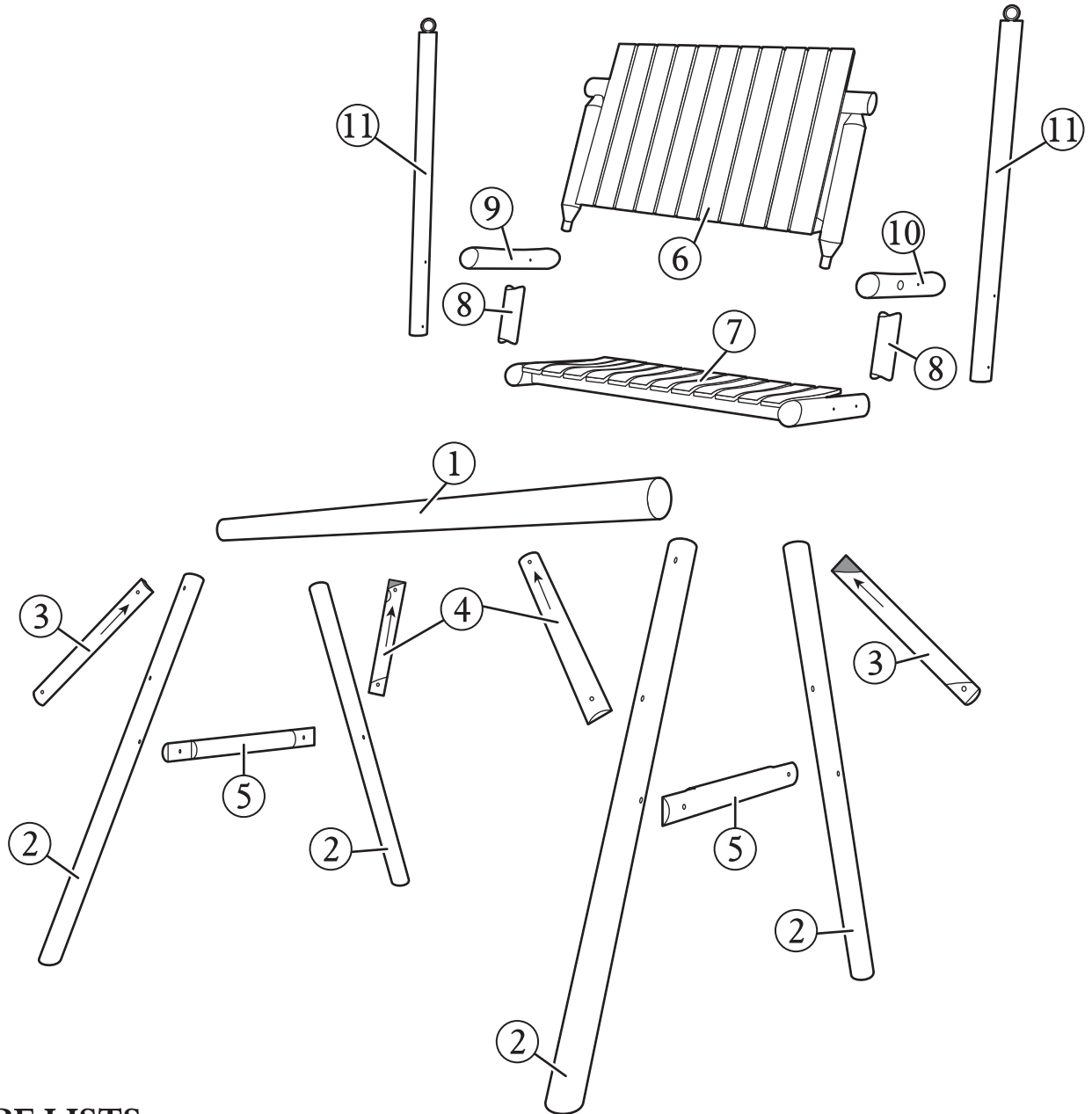
Socket Wrench



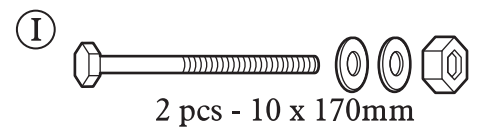
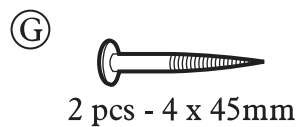
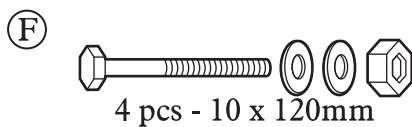
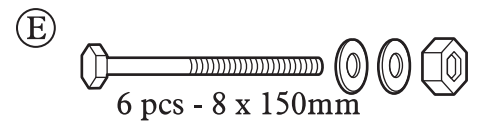
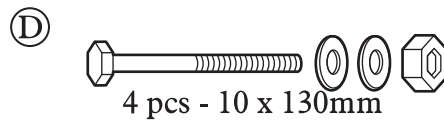
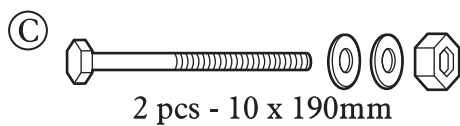
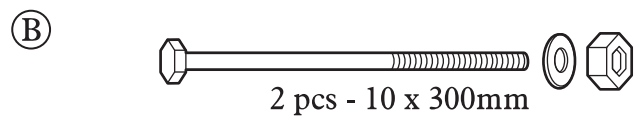
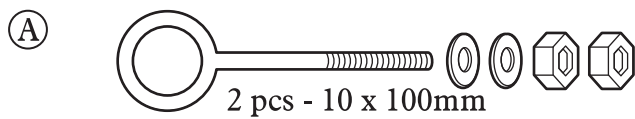
Screwdriver

# PARTS LIST

No.	Description	Quantity	No.	Description	Quantity
1	Top Support	1	7	Bench Seat	1
2	Leg	4	8	Arm Support	2
3	Diagonal Brace A	2	9	Right Armrest	1
4	Diagonal Brace B	2	10	Left Armrest	1
5	Side Brace	2	11	Arm Riser	2
6	Bench Back	1			



## HARDWARE LISTS



## **TIPS BEFORE YOU START!**

---

1. Ensure that all parts are present prior to assembly.
2. Check all packing material carefully before discarding, as some parts may be encased in the packing material.
3. For ease and speed assembly, it is recommended that prior to each step all required parts are identified.
4. Ensure that you have sufficient space and people (as indicated on page 1) to assemble product safely.
5. During assembly take care not to over-tighten any fittings, as this may damage the product.

## **CARE AND MAINTENANCE**

---

- For domestic and outdoor use.
- Periodically check all fittings and re-tighten as necessary.
- Do not stand on swing.
- This product should only be used on firm, level ground.
- Checking (cracking that runs the length of the log) is natural and does not effect strength.

## **WEIGHT LIMIT**

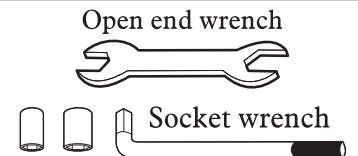
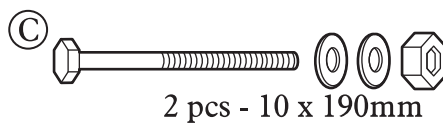
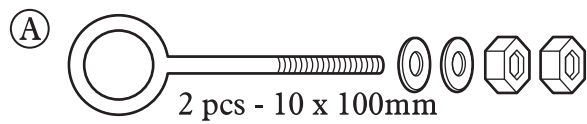
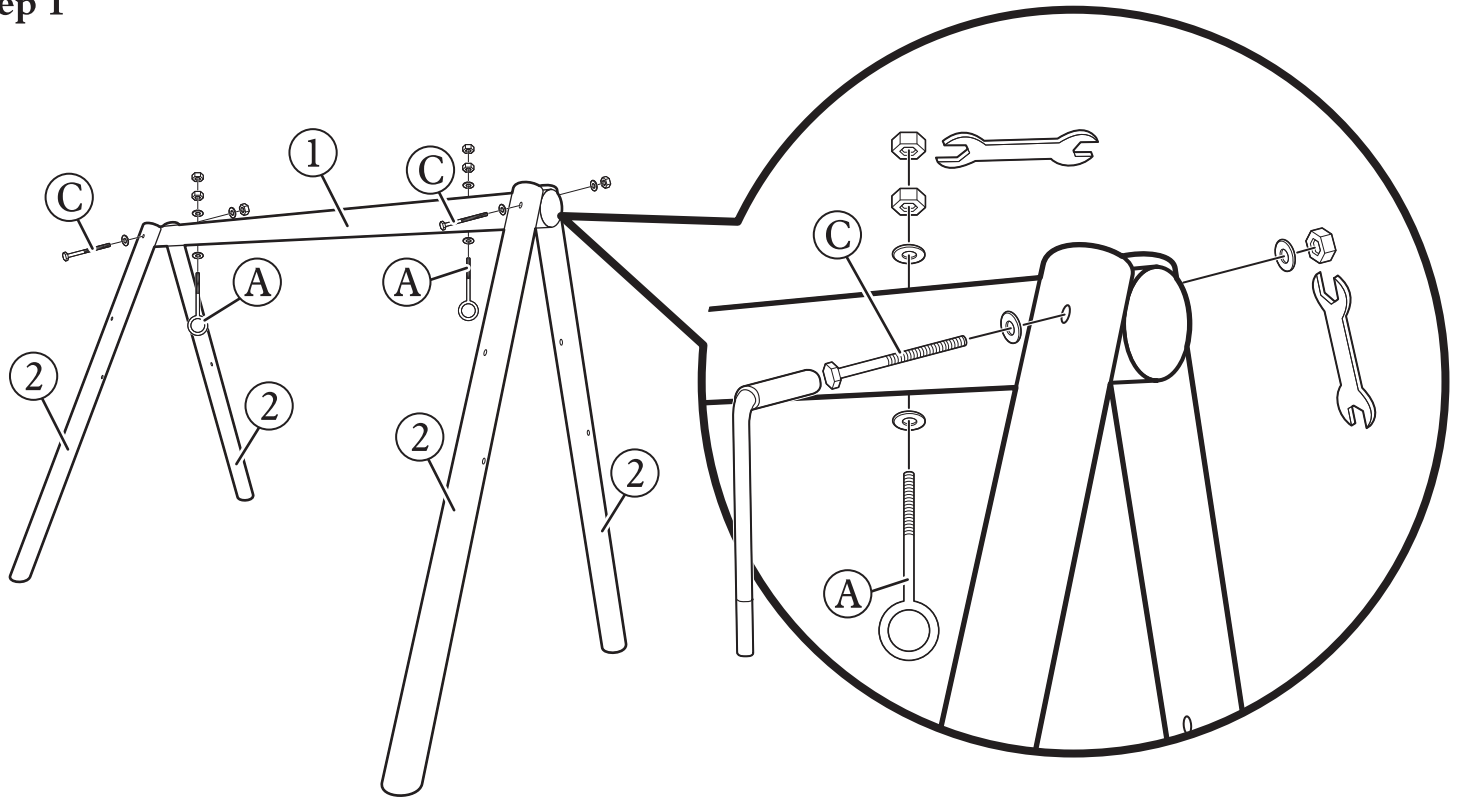
---

Chair: 800 lb. (362 kg.)

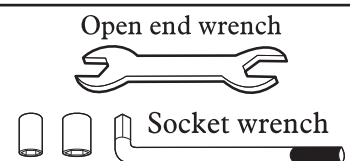
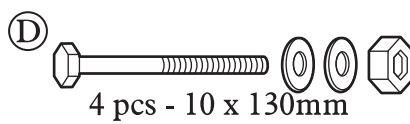
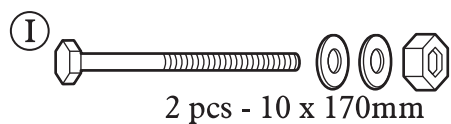
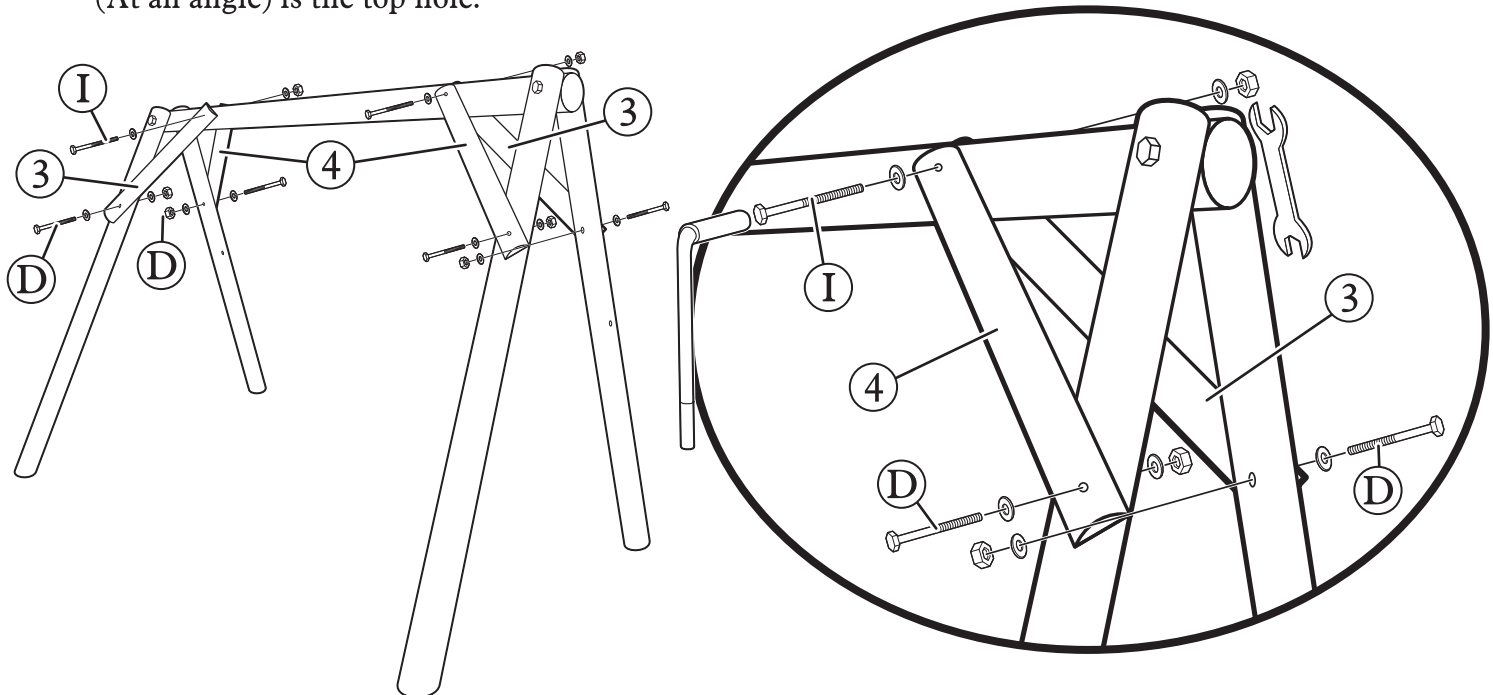
---

# ASSEMBLY INSTRUCTIONS

## Step 1

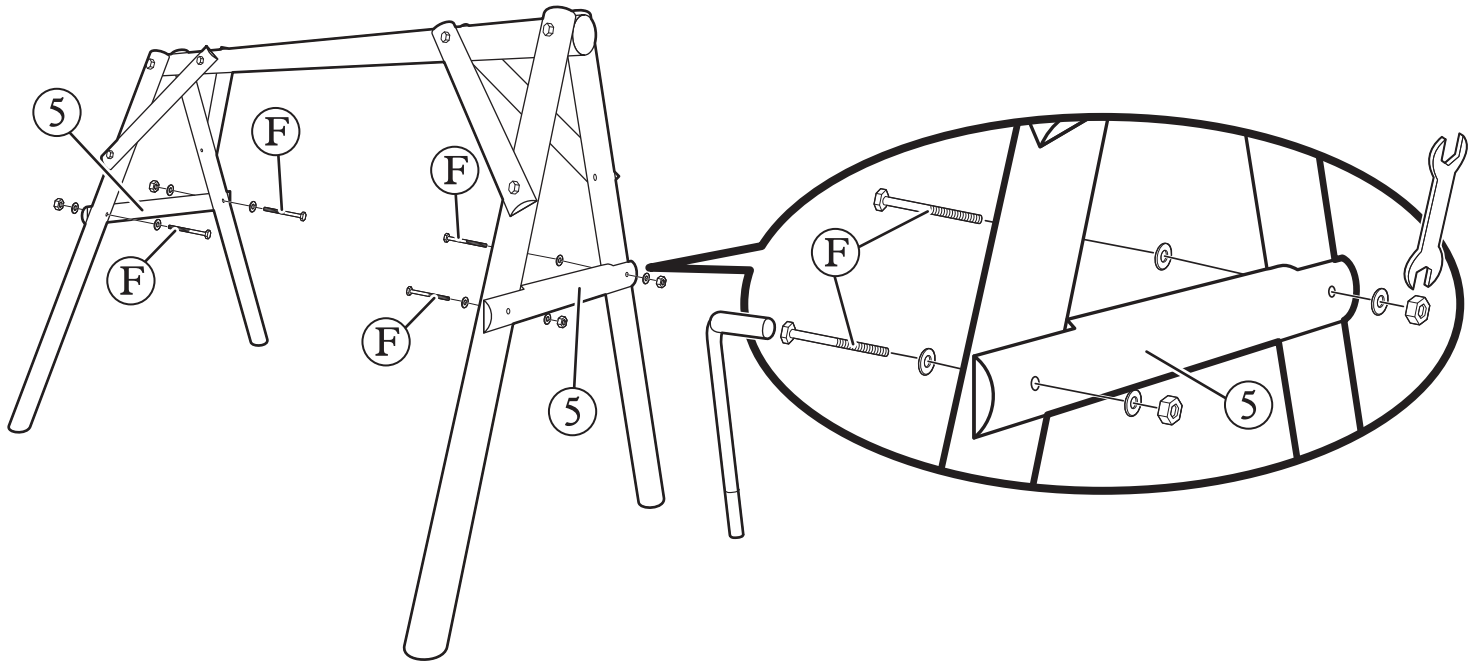


**Step 2** Note: The Diagonal Braces (Part 3, part 4) have a hole on each end. The non-perpendicular hole (At an angle) is the top hole.

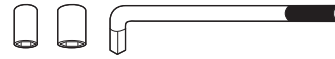
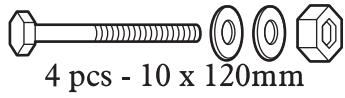


# ASSEMBLY INSTRUCTIONS

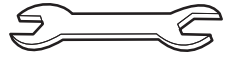
## Step 3



F

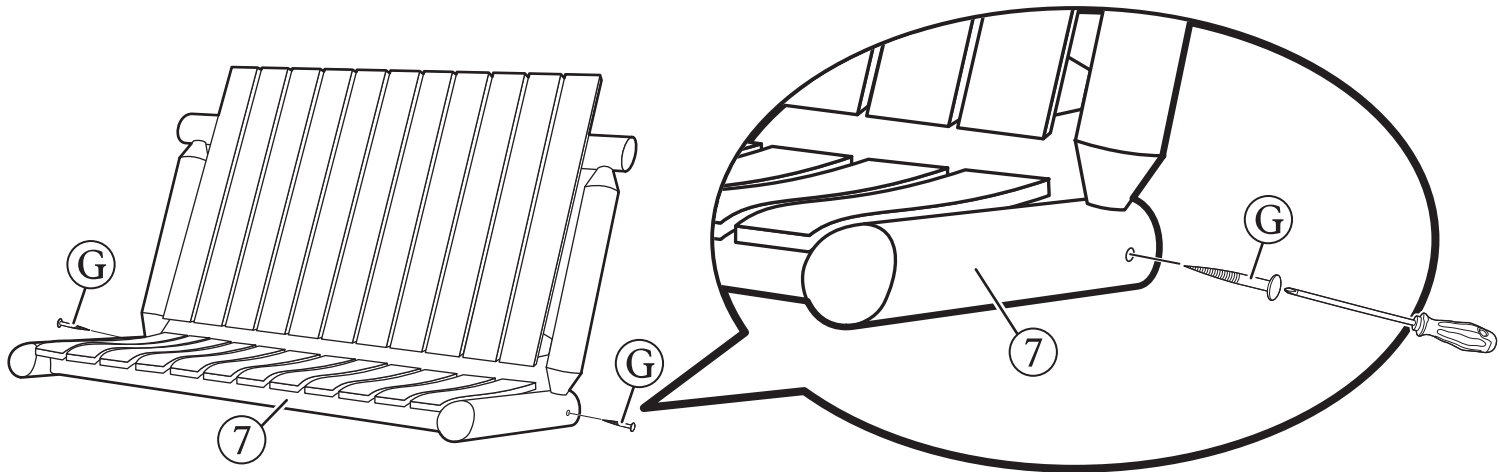


Socket Wrench

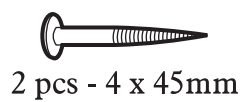


Open end wrench

## Step 4



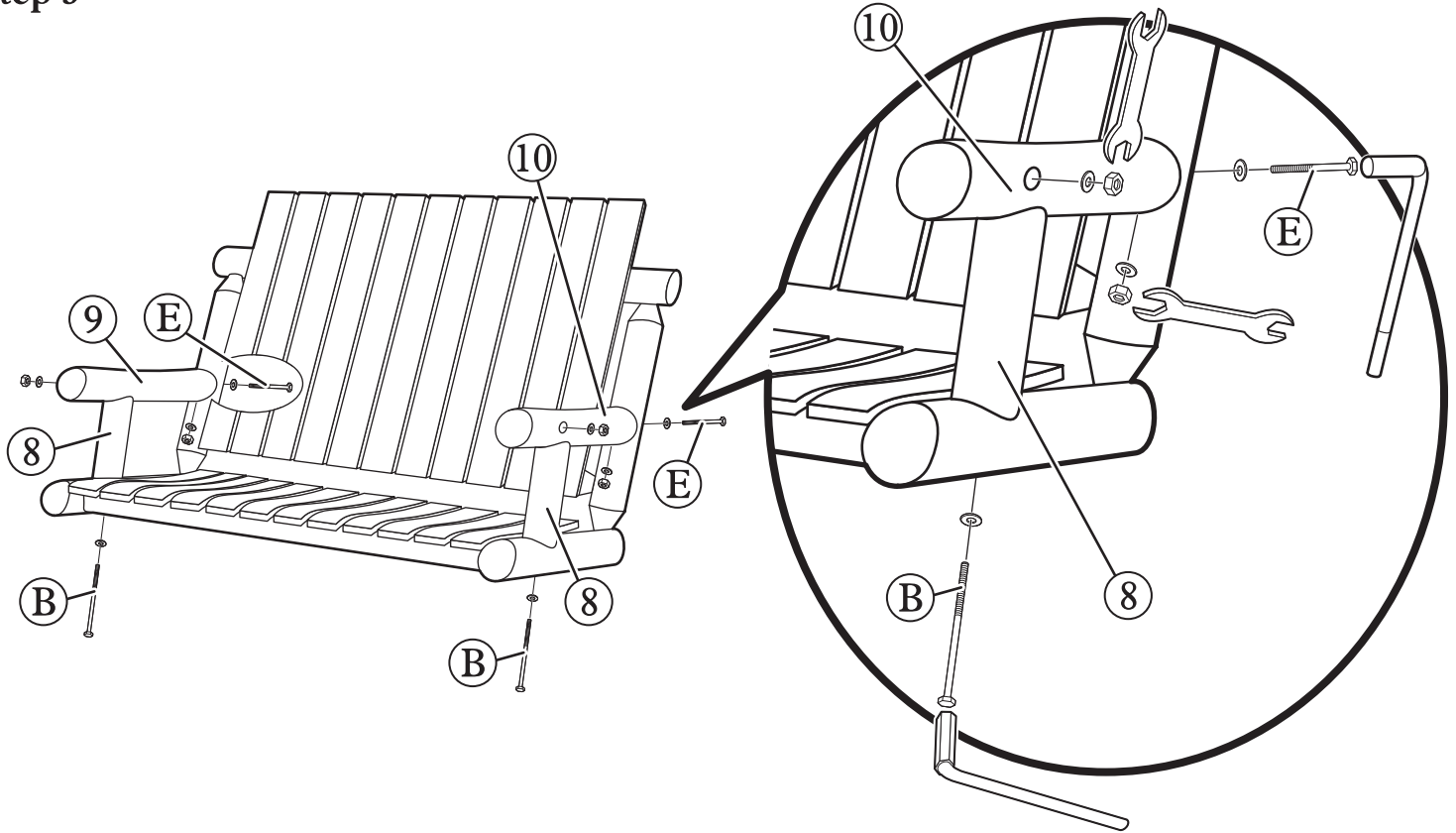
G

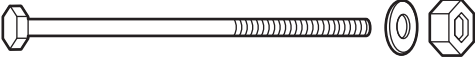



Screwdriver

# ASSEMBLY INSTRUCTIONS

## Step 5



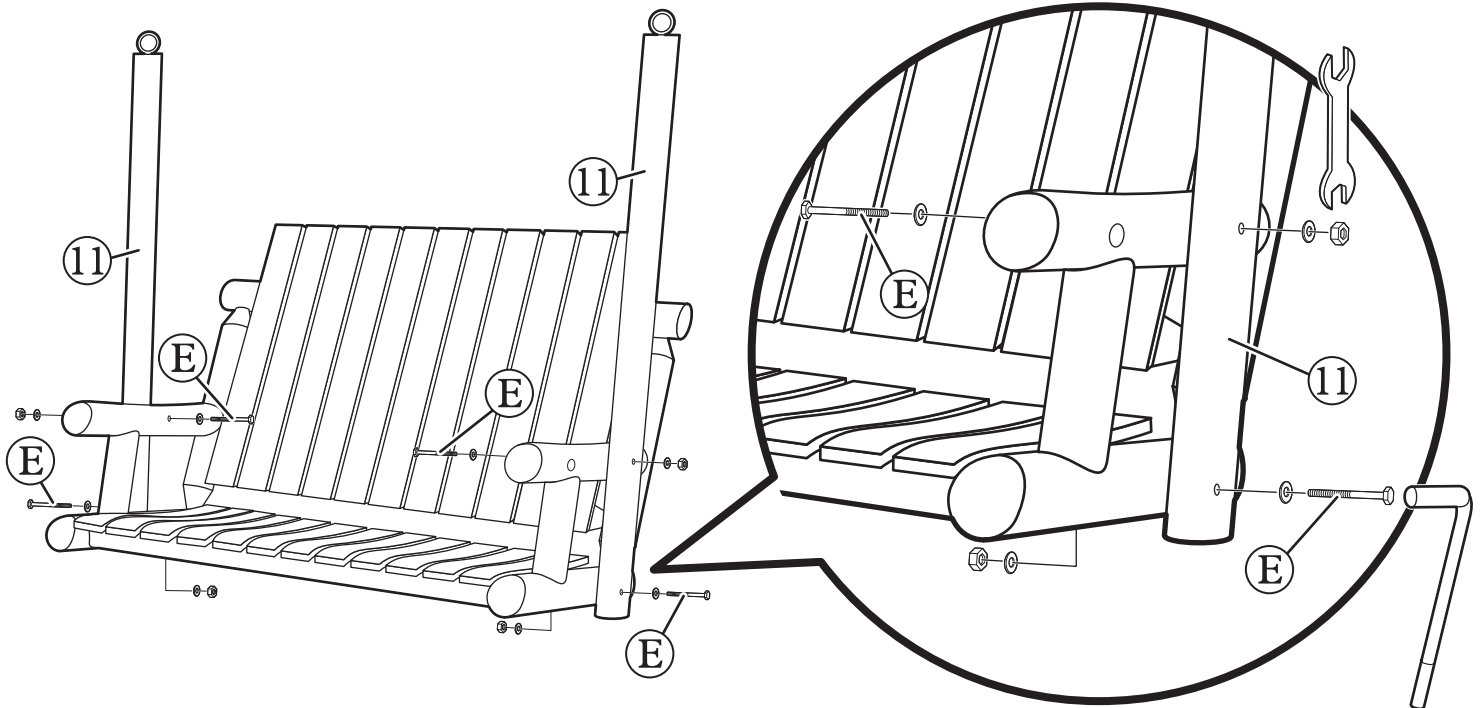
(B) 2 pcs - 10 x 300mm 


(E) 2 pcs - 8 x 150mm 

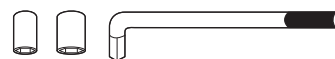


Socket Wrench

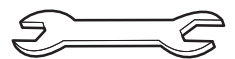
## Step 6



(E)   
4 pcs - 8 x 150mm



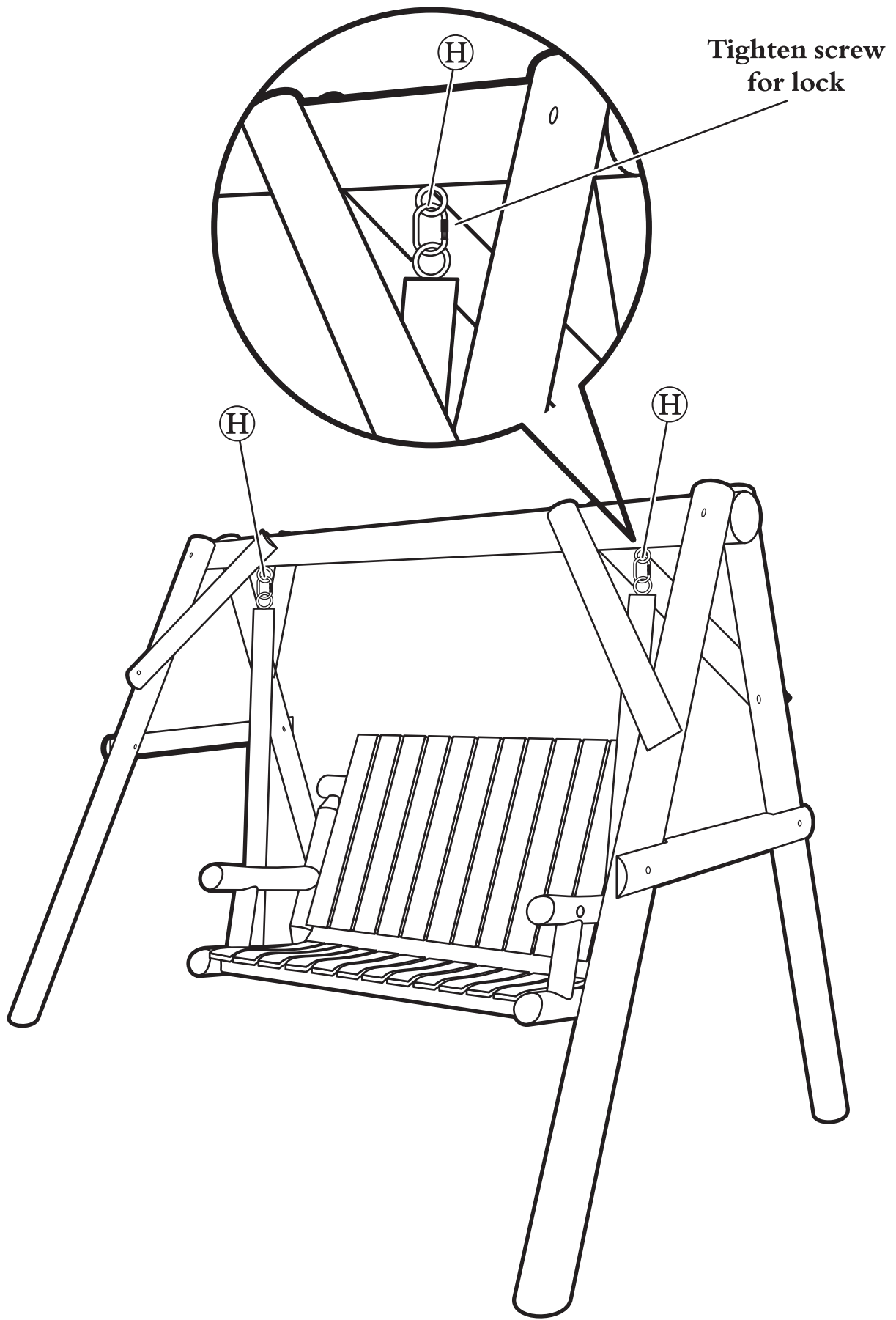
Socket Wrench



Open end wrench

# ASSEMBLY INSTRUCTIONS

## Step 7



Ⓜ 2 pcs

