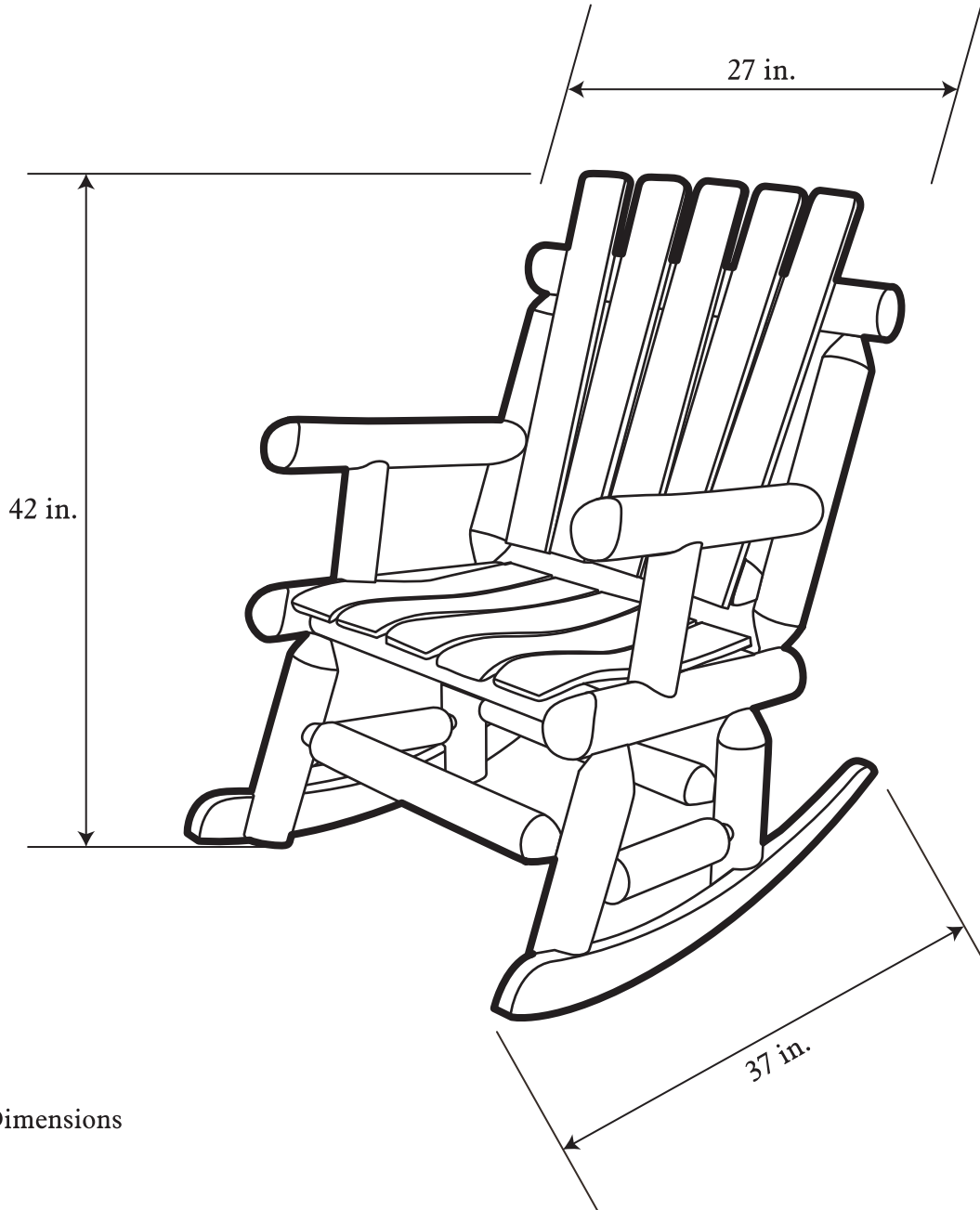


NATURAL LOG ROCKER

INSTRUCTION MANUAL

SKU #1045389



Assembled Dimensions

Distributed by:
TRACTOR SUPPLY COMPANY
200 POWELL PLACE
BRENTWOOD, TN 37027
For customer support,
call: 1-888-376-9601
www.TractorSupply.com

Approximate assembly time: **20 Minutes**

People for assembly:



Required assembly space:
Floor area 9 ft. x 9 ft. (3 m x 3 m)

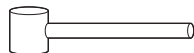


Required assembly tools (Not included):

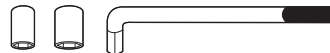
Caution: Hand tools only, use of power tools could damage product.



Open end wrench



Rubber mallet



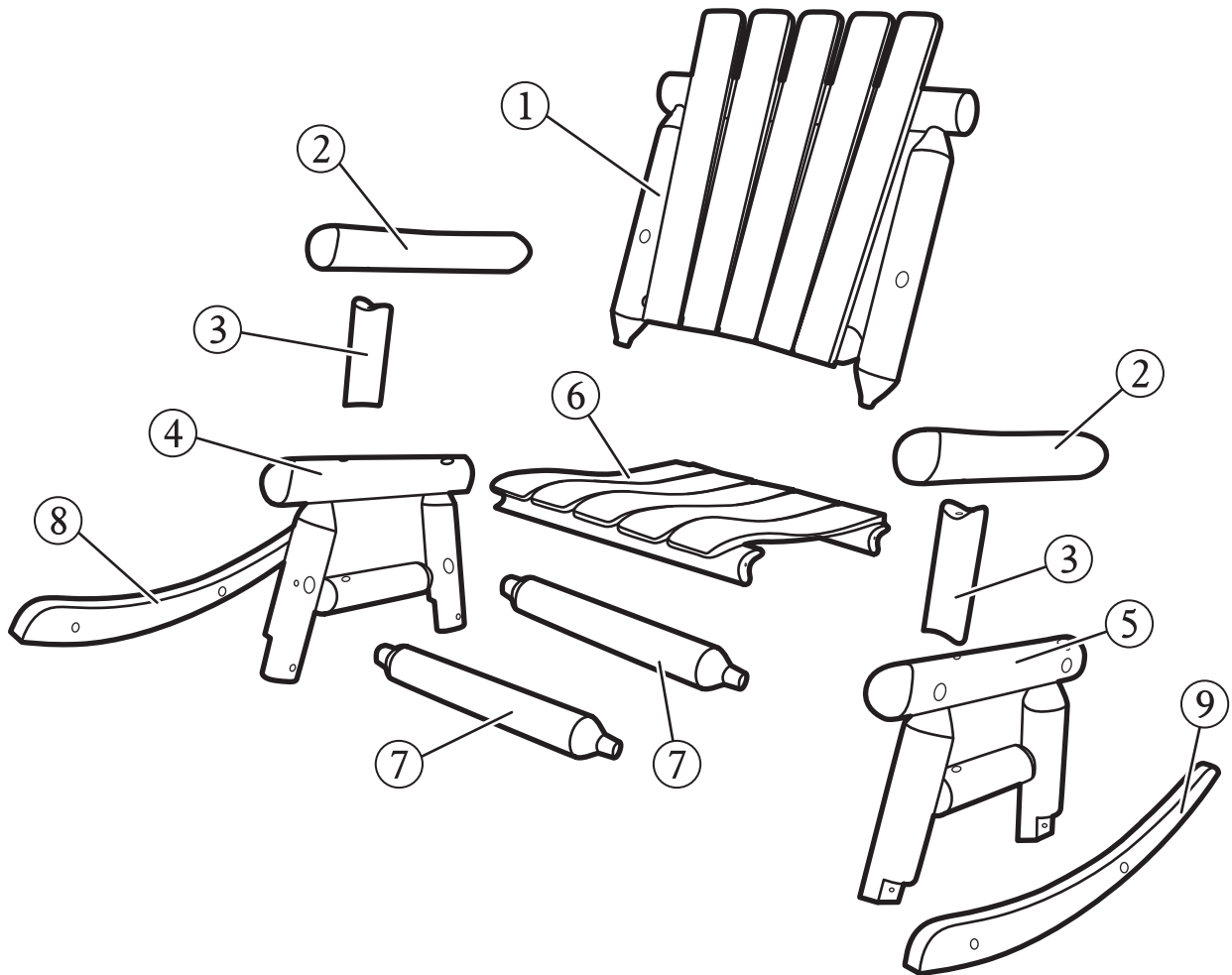
Socket wrench



Screwdriver

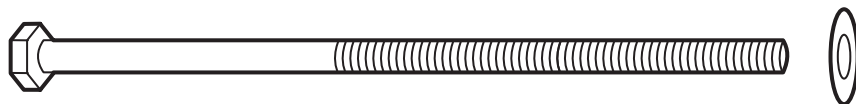
PARTS LIST

No.	Description	Quantity	No.	Description	Quantity
1	Chair Back	1	6	Chair Seat	1
2	Armrest	2	7	Cross Bar	2
3	Armrest Support	2	8	Right Rocker	1
4	Right Leg Assembly	1	9	Left Rocker	1
5	Left Leg Assembly	1			

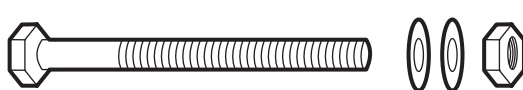


HARDWARE LISTS

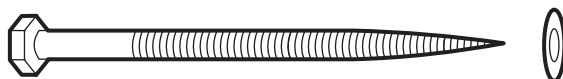
(A) 2 pcs - 10 x 300mm



(B) 4 pcs - 8 x 85mm



(C) 6 pcs - 8 x 140mm



(D) 6 pcs - 4 x 45mm



TIPS BEFORE YOU START!

1. Ensure that all parts are present prior to assembly.
2. Check all packing material carefully before discarding, as some parts may be encased in the packing material.
3. For ease and speed assembly, it is recommended that prior to each step all required parts are identified.
4. Ensure that you have sufficient space and people (as indicated on page 1) to assemble product safely.
5. During assembly take care not to over-tighten any fittings, as this may damage the product.

CARE AND MAINTENANCE

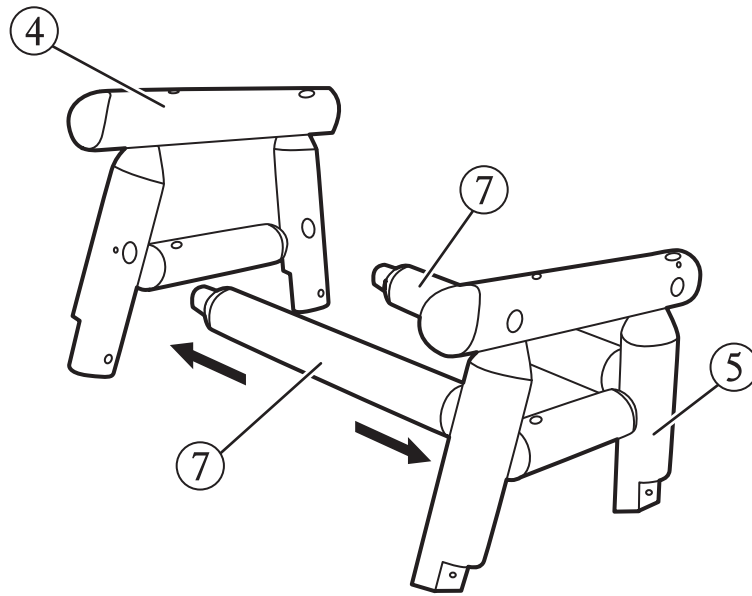
- For domestic and outdoor use.
- Periodically check all fittings and re-tighten as necessary.
- Do not stand on chair.
- This product should only be used on firm, level ground.
- Checking (cracking that runs the length of the log) is natural and does not effect strength.

WEIGHT LIMIT

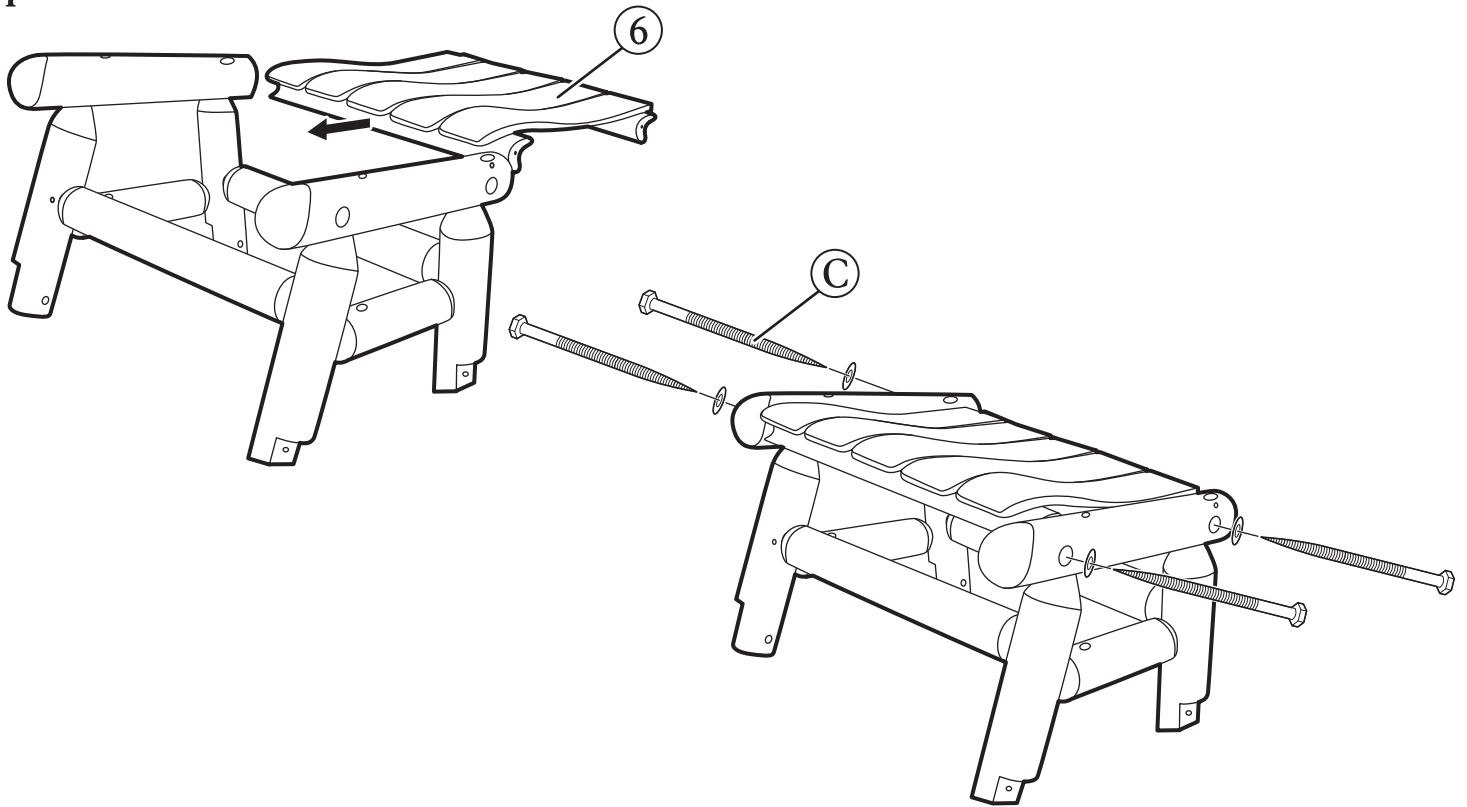
Chair: 500 lb. (226 kg.)

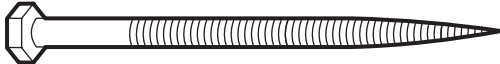
ASSEMBLY INSTRUCTIONS

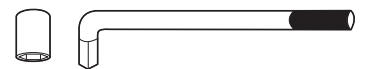
Step 1



Step 2



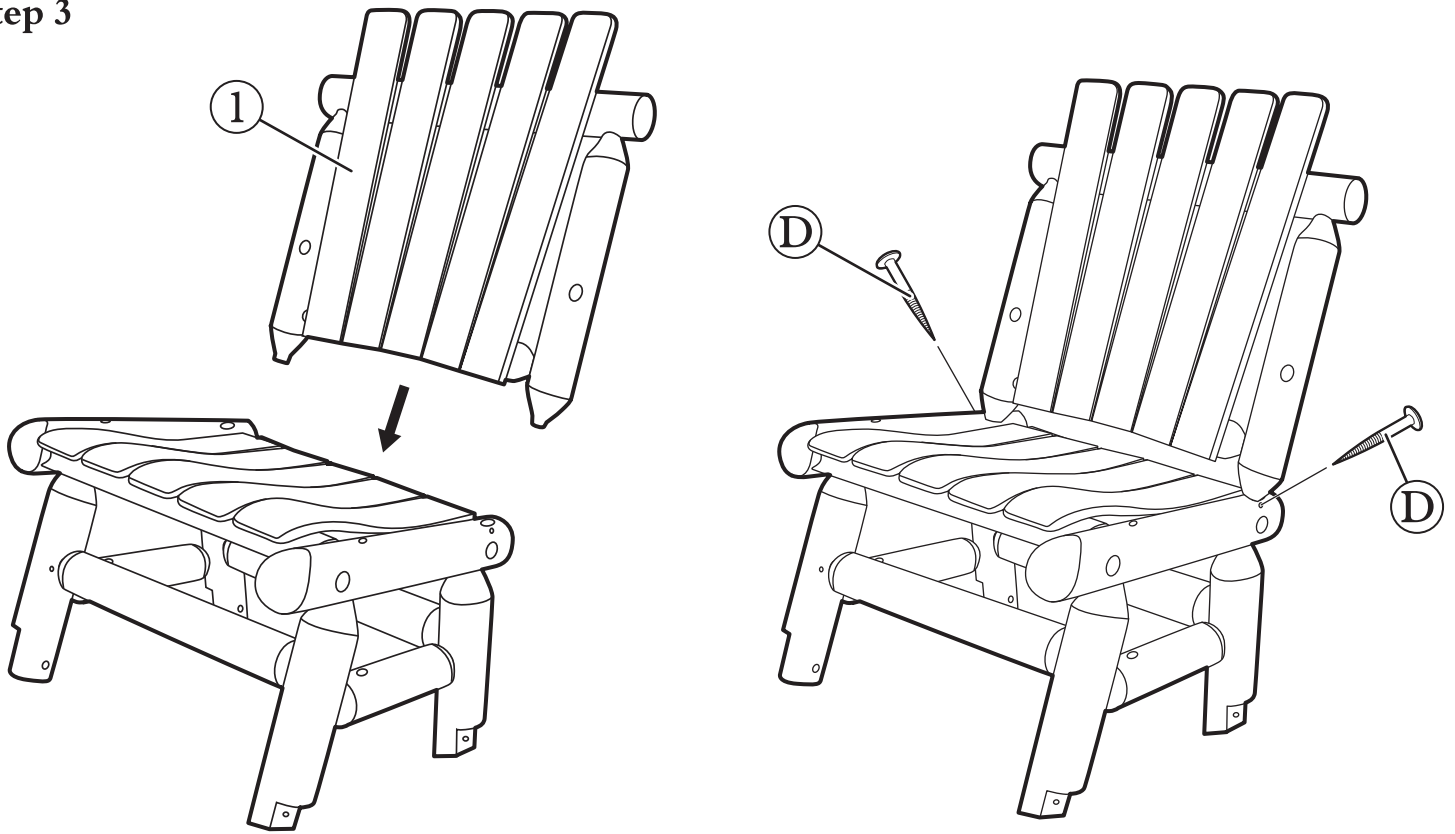
© 4 pcs - 8 x 140mm 



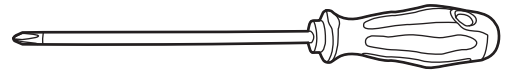
Socket wrench

ASSEMBLY INSTRUCTIONS

Step 3

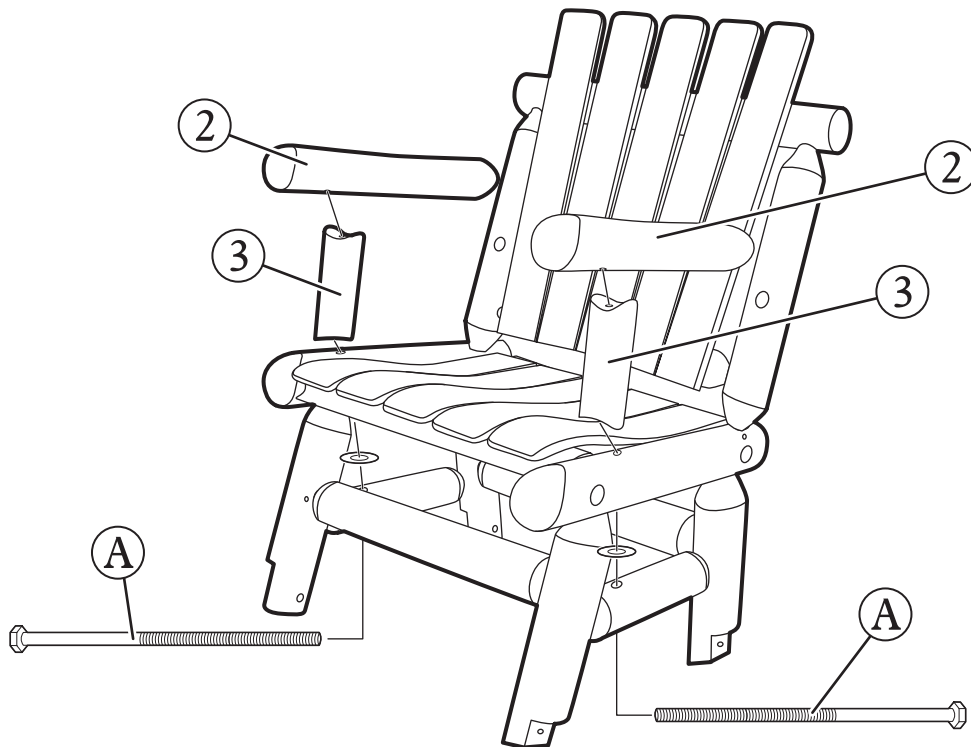


ⓓ 2 pcs - 4 x 45mm

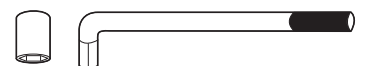


Screwdriver

Step 4



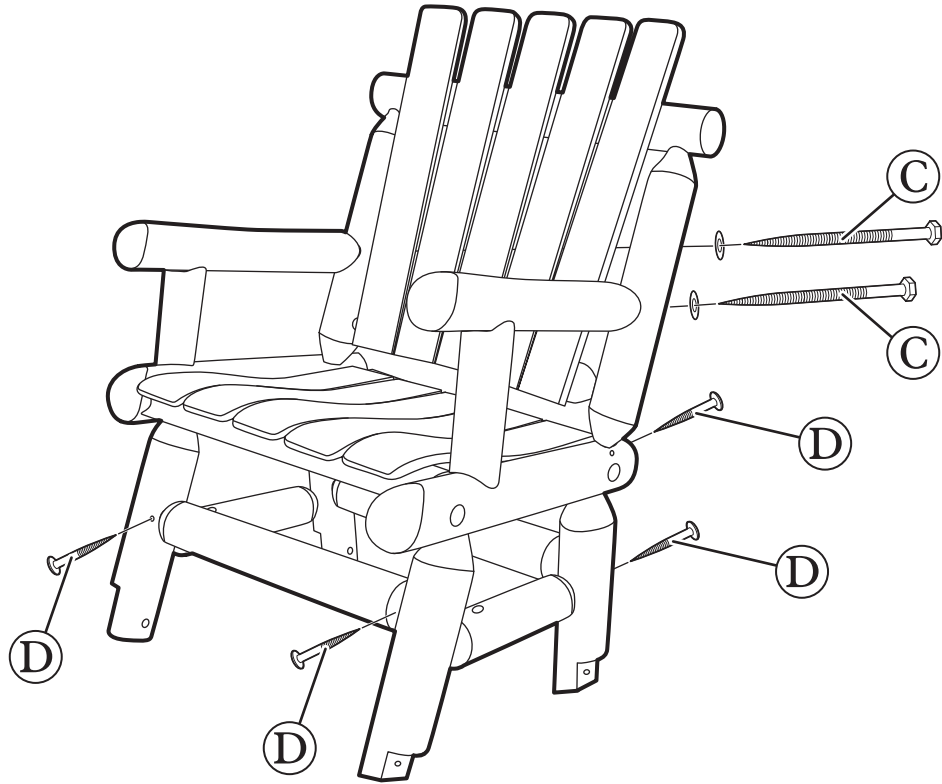
Ⓐ 2 pcs - 10 x 300mm



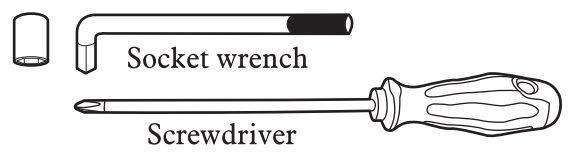
Socket Wrench

ASSEMBLY INSTRUCTIONS

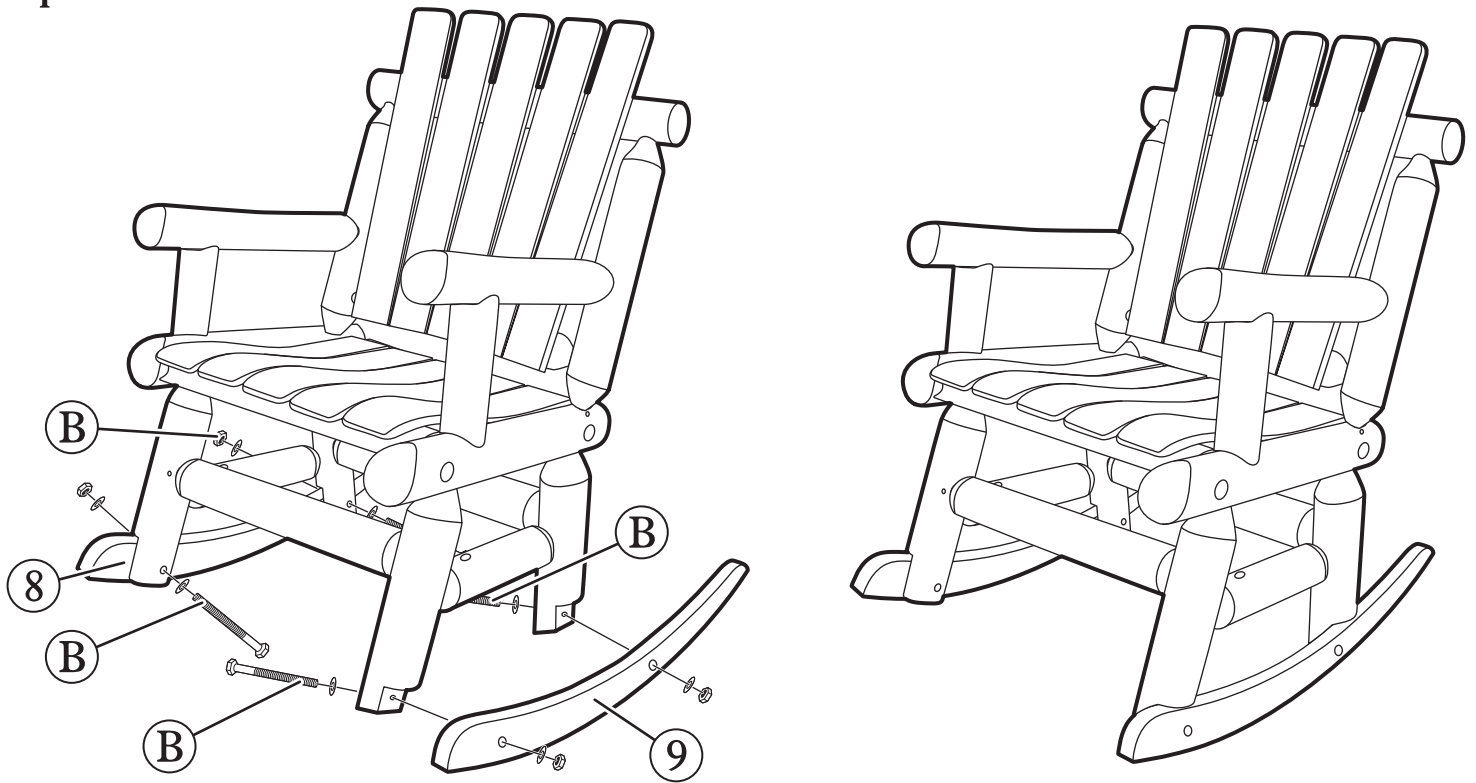
Step 5



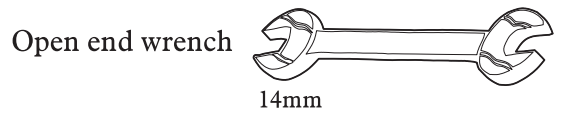
- Ⓒ 2 pcs - 8 x 140mm
- Ⓓ 4 pcs - 4 x 45mm



Step 6



- Ⓑ 4 pcs - 8 x 85mm



14mm