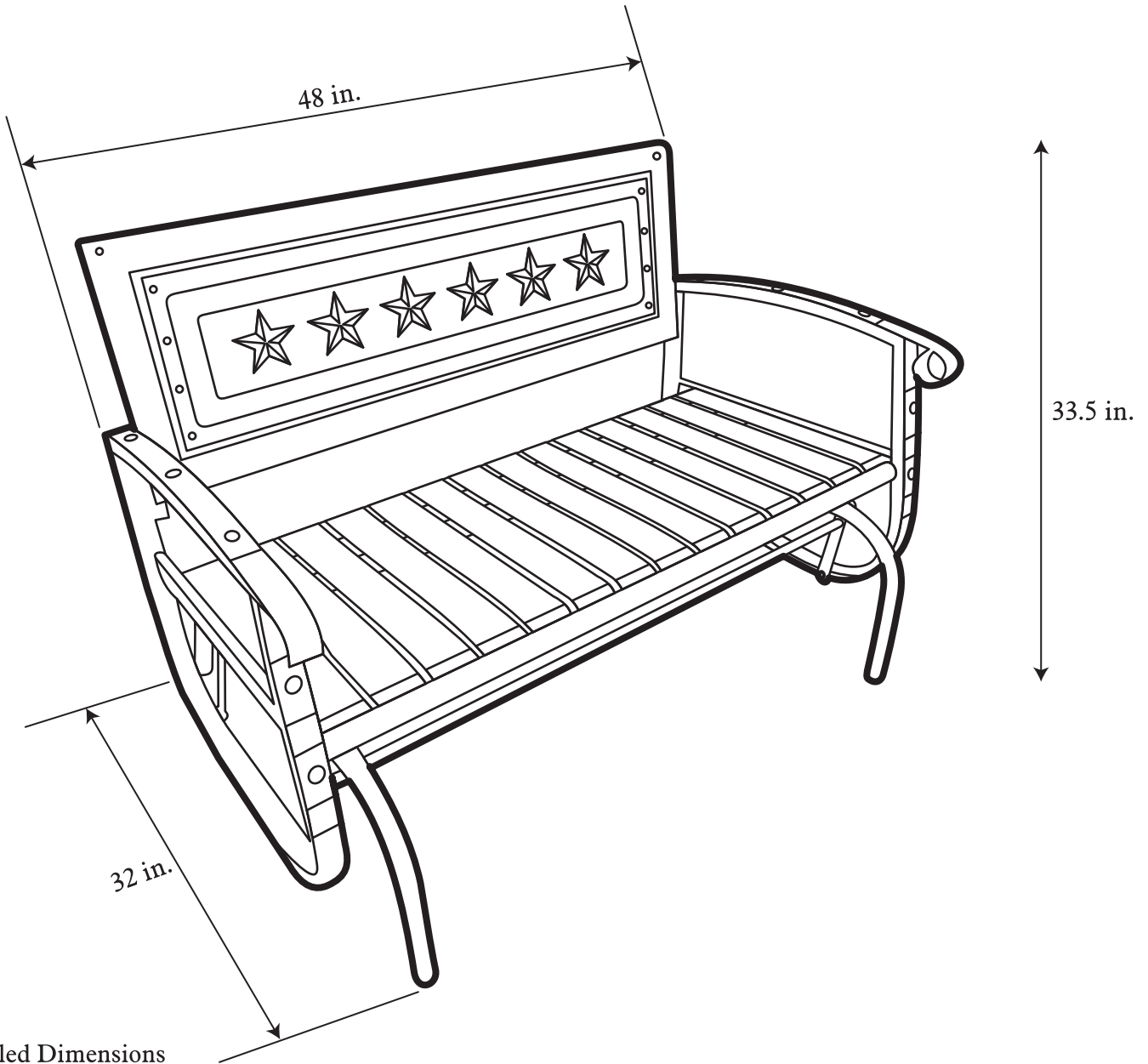


GLIDER BENCH

INSTRUCTION MANUAL

SKU #1045387



Distributed by:
TRACTOR SUPPLY COMPANY
200 POWELL PLACE
BRENTWOOD, TN 37027
For customer support,
call: 1-888-376-9601
www.TractorSupply.com

TIPS BEFORE YOU START!

1. For ease and speed of assembly, it is recommended that prior to each step, all required parts are identified.
2. Place the product on a protected surface during assembly to prevent damage.
3. During assembly take care not to over-tighten fittings, as this may damage the product.

Approximate assembly time: **40 Minutes**

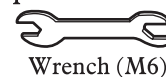
People for assembly:



Required assembly space:
Floor area 9 ft. x 9 ft. (3 m x 3 m)



Required assembly tools (Not included):



Wrench (M6)

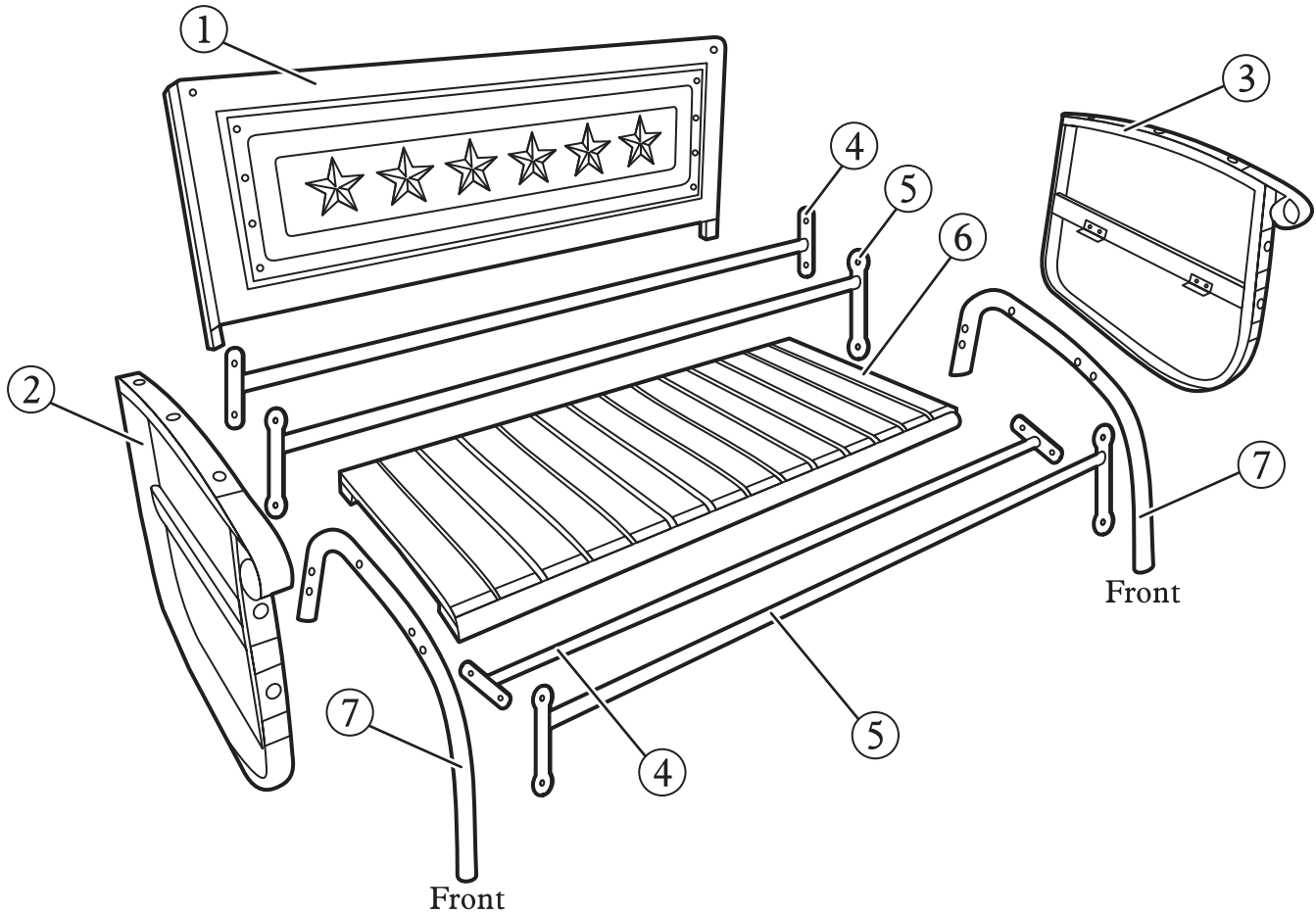


Hex key wrench (M4)

Caution: Hand tools only, use of power tools could damage product.

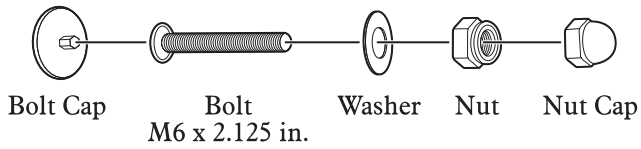
PART LISTS

No.	Description	Quantity	No.	Description	Quantity
1	Back	1	5	Joining	2
2	Right Armrest	1	6	Seat	1
3	Left Armrest	1	7	Feet	2
4	Knighthead	2			

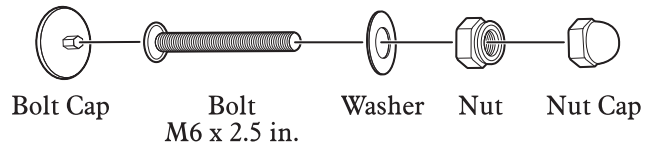


HARDWARE LISTS

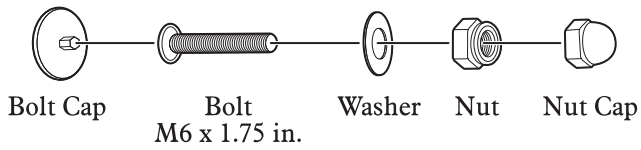
(A) 4 Sets



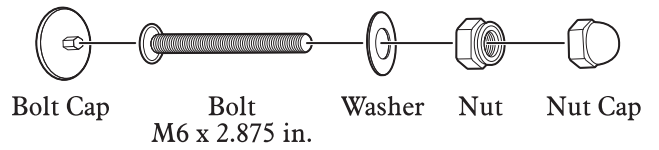
(D) 4 Sets



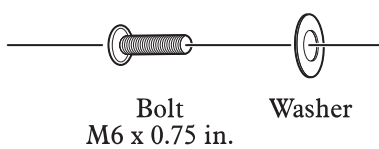
(B) 6 Sets



(E) 4 Sets

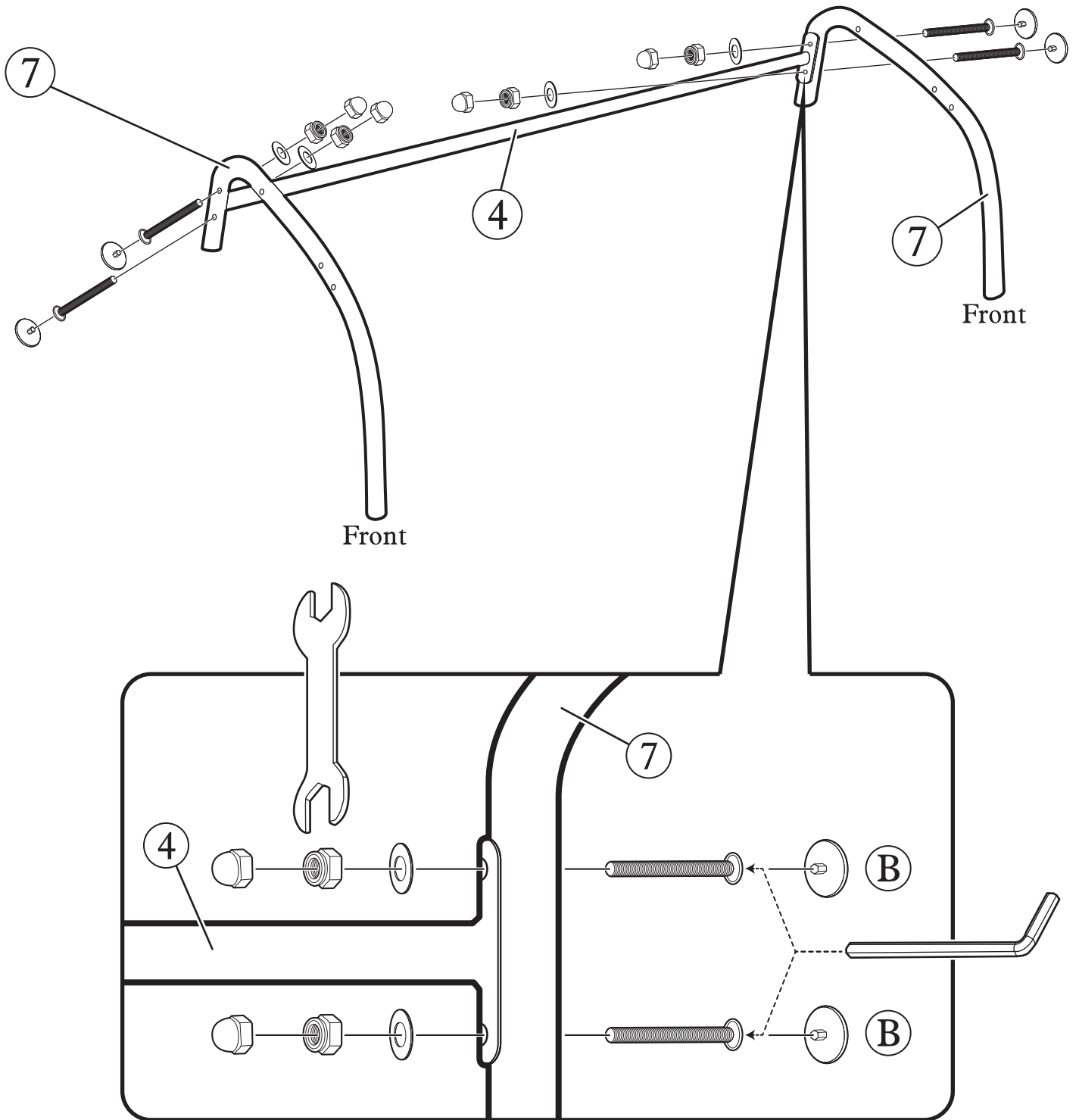


(C) 8 Sets

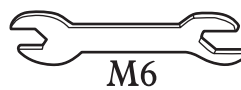
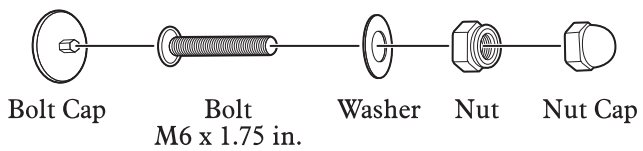


ASSEMBLY INSTRUCTIONS

Step 1

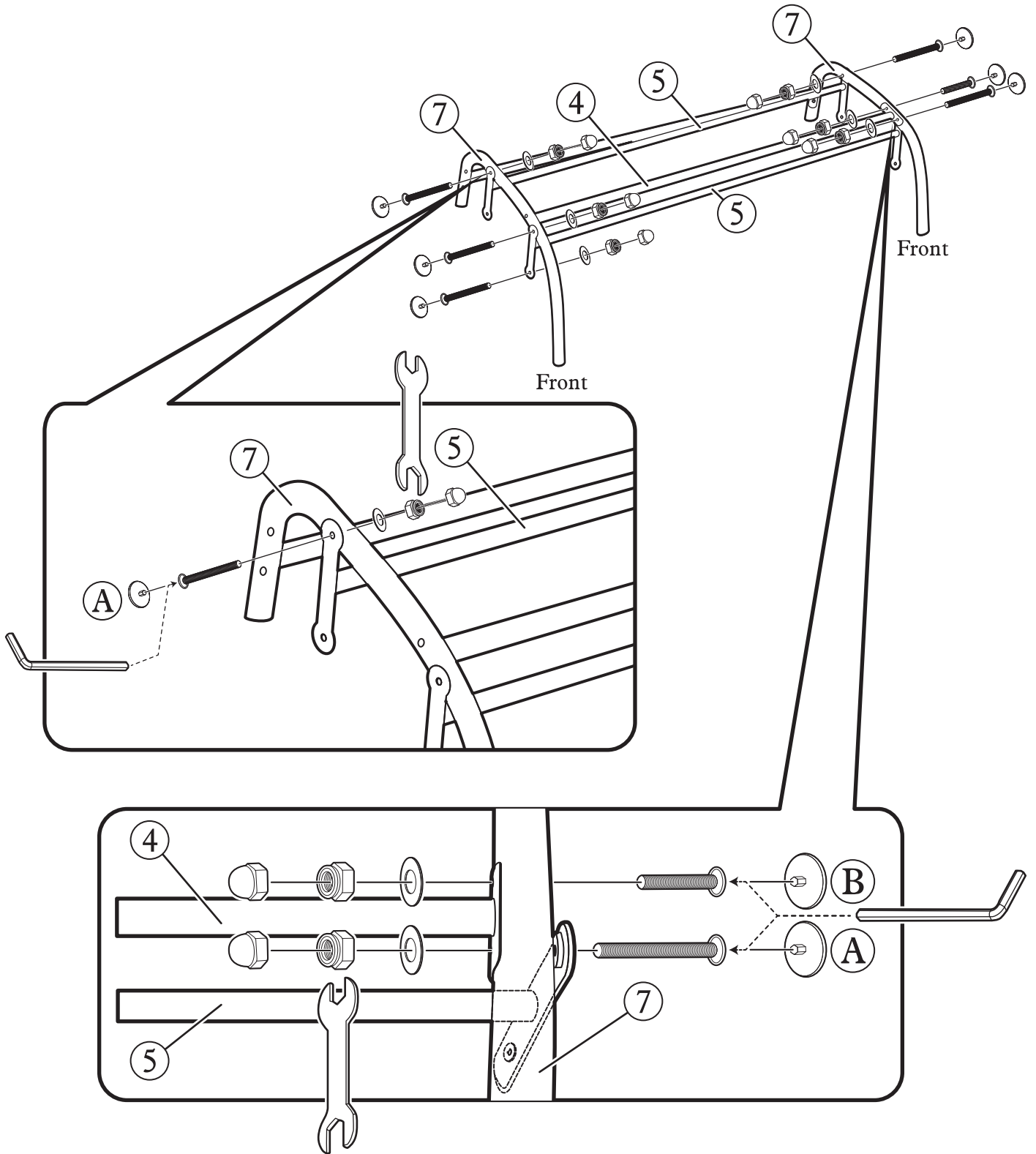


ⓑ 4 Sets

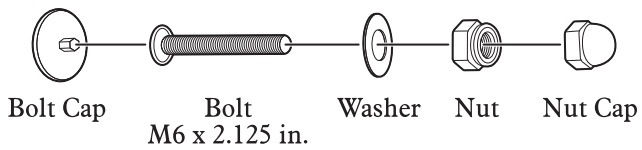


ASSEMBLY INSTRUCTIONS

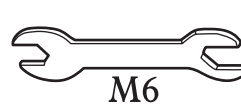
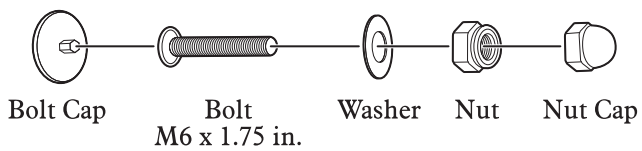
Step 2



(A) 4 Sets

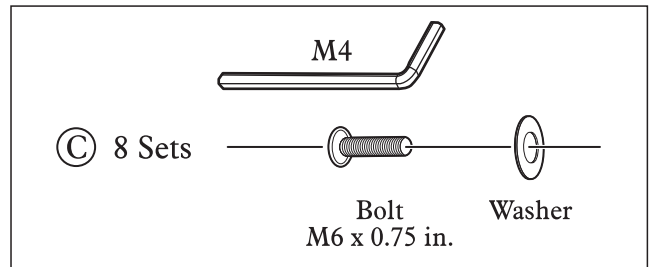
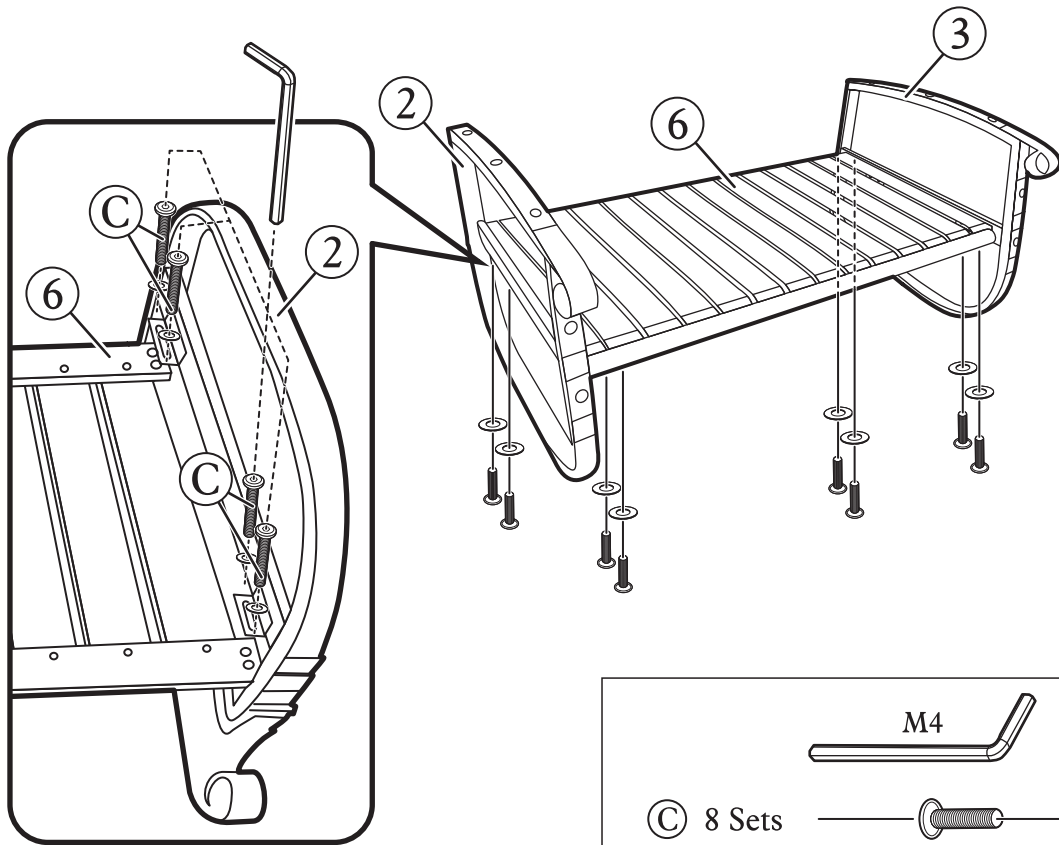


(B) 2 Sets

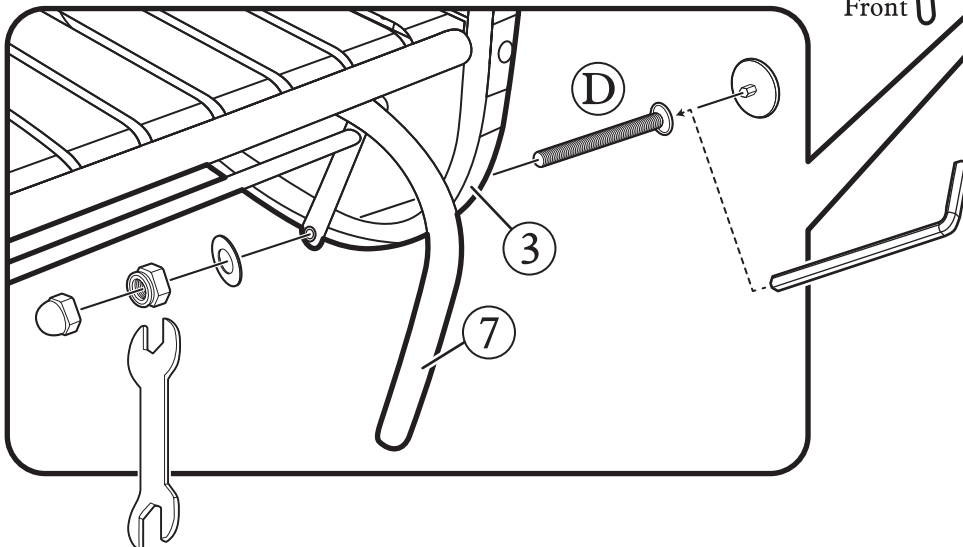
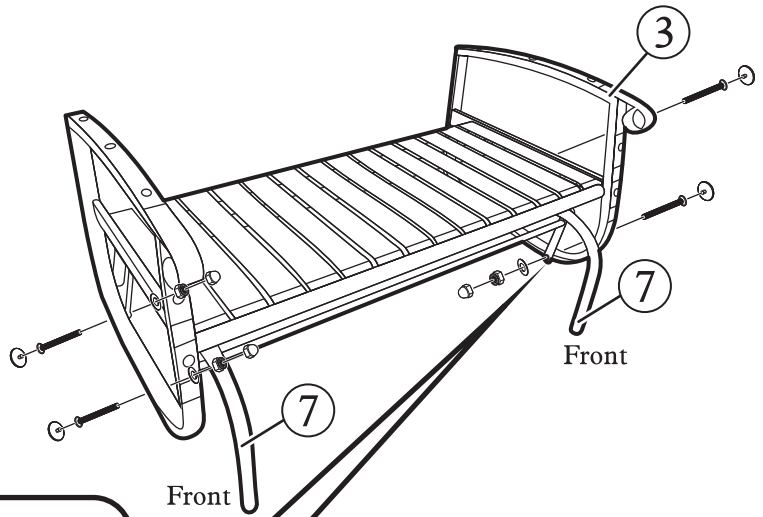
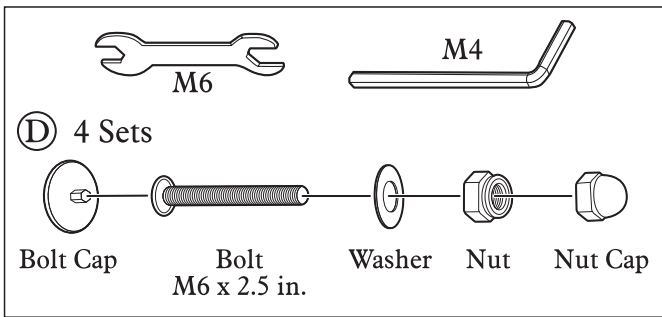


ASSEMBLY INSTRUCTIONS

Step 3

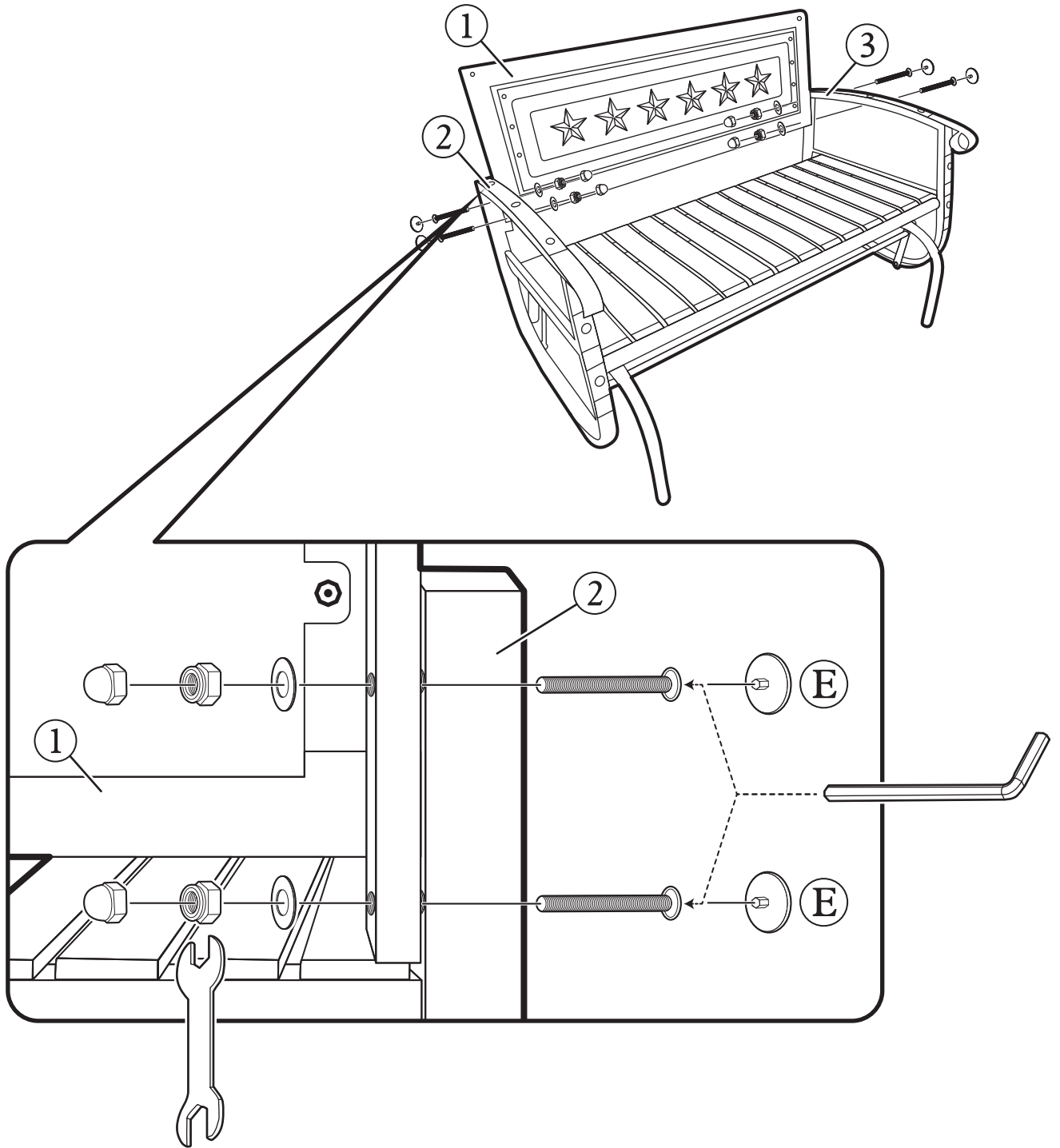


Step 4

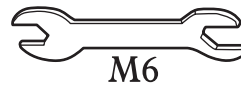
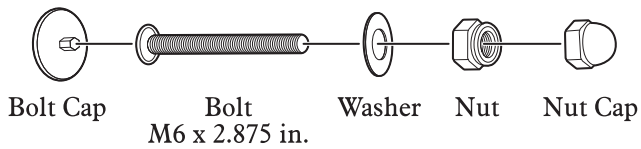


ASSEMBLY INSTRUCTIONS

Step 5



Ⓔ 4 Sets



M6



M4

CARE AND MAINTENANCE OF YOUR FURNITURE

- Periodically check all fittings and re-tighten as necessary.
- Do not sit on the arm of bench.
- Do not drag or pull furniture.
- It is recommended to use furniture covers to protect products when not in use.
- This product should only be used on firm, level ground. Make sure the legs remain in contact with ground.
- To clean wood use mild detergent in warm water. Rinse with clean water and dry thoroughly. Do not use abrasive cleaners, strong detergents, bleach, acid or solvents on the frame parts.
- To clean metal use a soft cloth moistened in lukewarm soap and water. Then buff with a dry clean cloth.