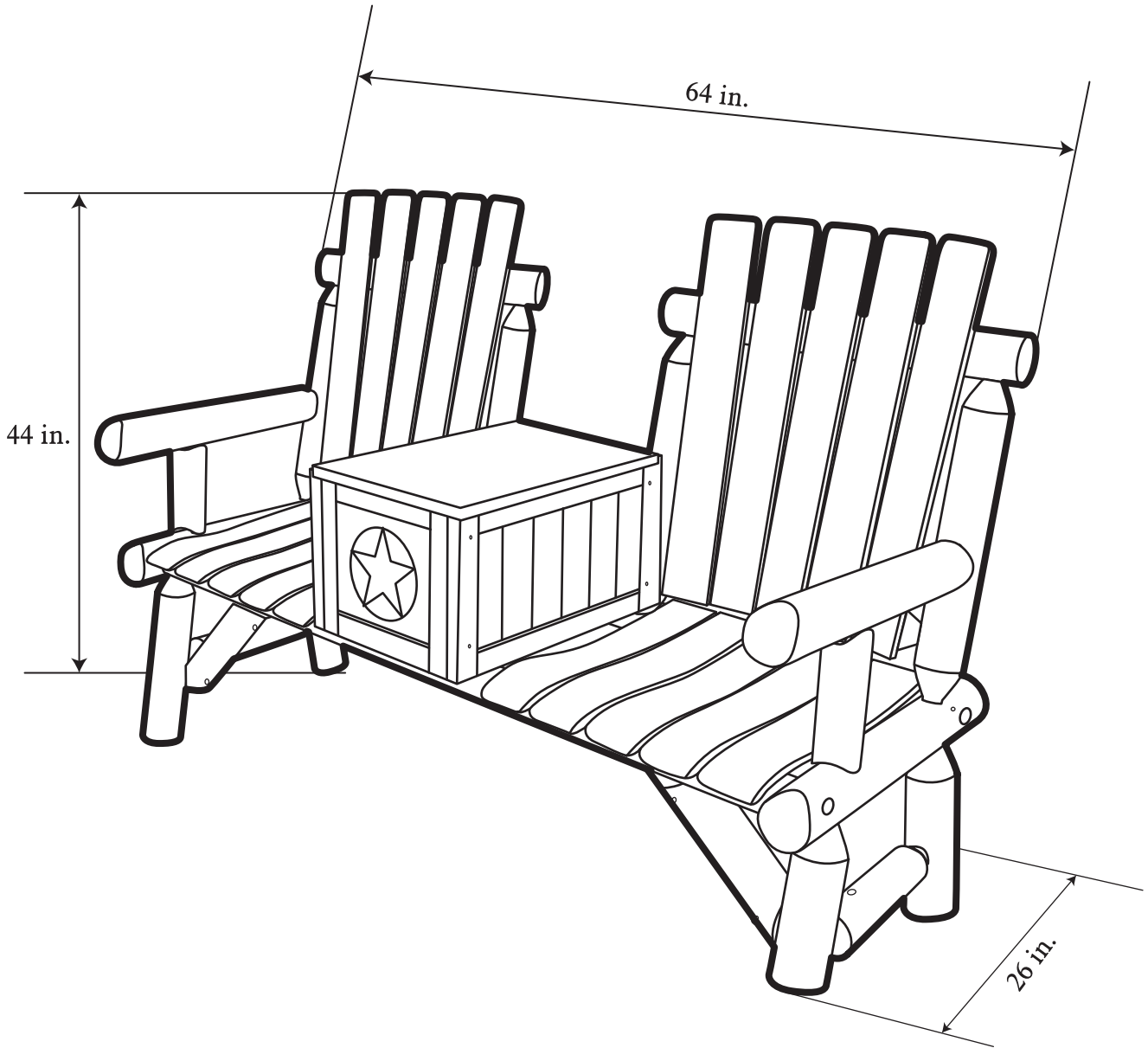


NATURAL DOUBLE LOG CHAIR WITH BOX

INSTRUCTION MANUAL

SKU #1045386



Assembled Dimensions

Distributed by:
 TRACTOR SUPPLY COMPANY
 200 POWELL PLACE
 BRENTWOOD, TN 37027
 For customer support,
 call: 1-888-376-9601
 www.TractorSupply.com

Approximate assembly time: **30 Minutes**

People for assembly:

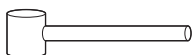


Required assembly space:
 Floor area 9 ft. x 9 ft. (3 m x 3 m)

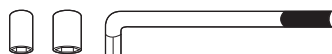


Required assembly tools (Not included):

Caution: Hand tools only, use of power tools could damage product.



Rubber mallet



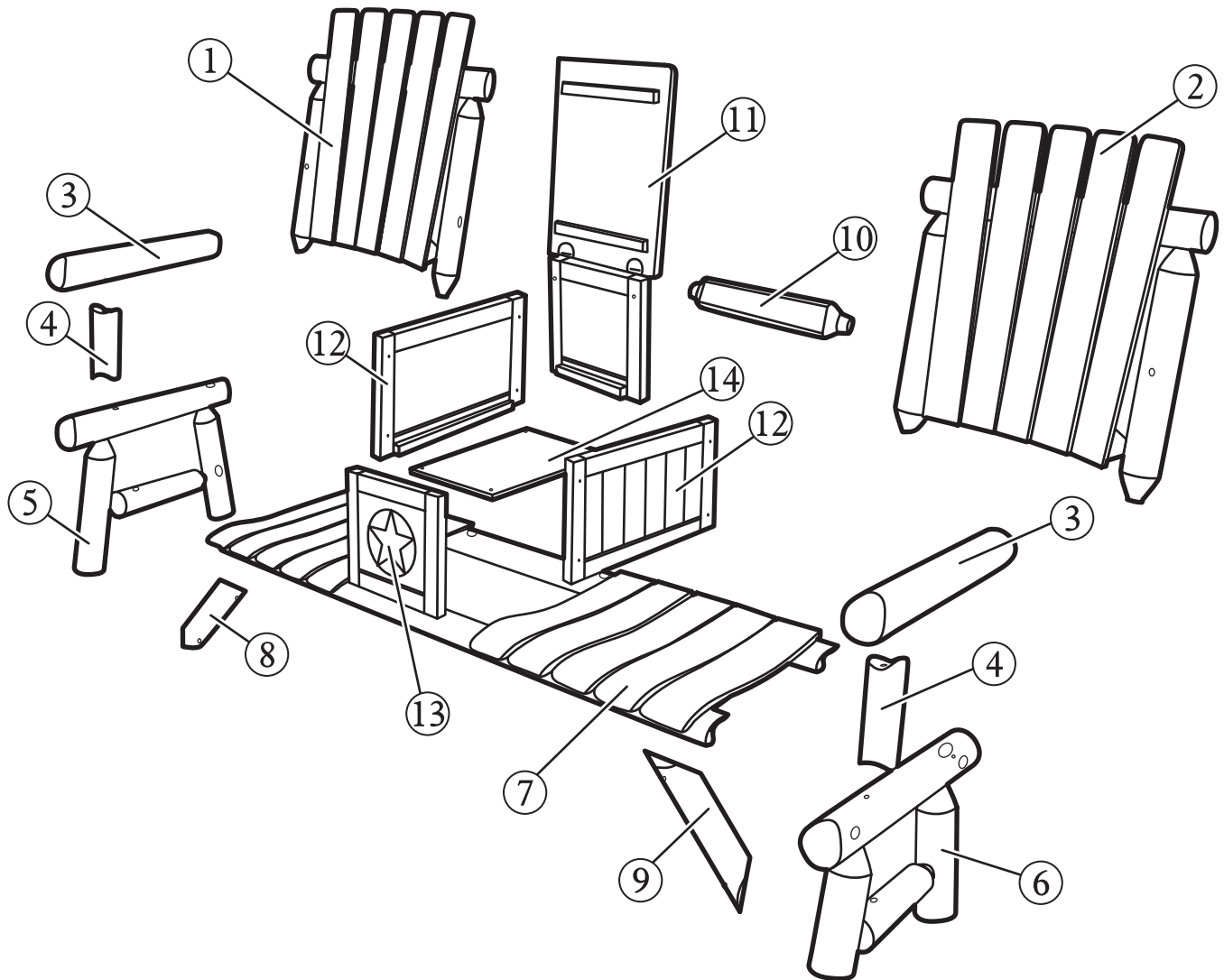
Socket Wrench



Screwdriver

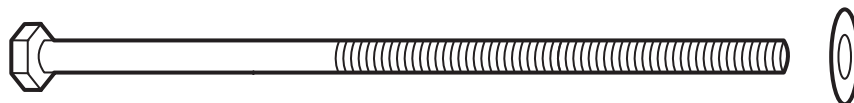
PARTS LIST

No.	Description	Quantity	No.	Description	Quantity
1	Right Chair Back	1	8	Right Lower Support	1
2	Left Chair Back	1	9	Left Lower Support	1
3	Arm Rest	2	10	Crossbar	1
4	Arm Rest Support	2	11	Top Cover	1
5	Right Leg Assembly	1	12	Side Panel	2
6	Left Leg Assembly	1	13	Front Panel	1
7	Seat	1	14	Bottom Panel	1

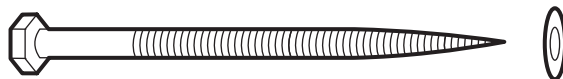


HARDWARE LISTS

(A) 2 pcs - 10 x 300mm



(B) 6 pcs - 8 x 140mm



(C) 24 pcs - 4 x 45mm



TIPS BEFORE YOU START!

1. Ensure that all parts are present prior to assembly.
2. Check all packing material carefully before discarding, as some parts may be encased in the packing material.
3. For ease and speed assembly, it is recommended that prior to each step all required parts are identified.
4. Ensure that you have sufficient space and people (as indicated on page 1) to assemble product safely.
5. During assembly take care not to over-tighten any fittings, as this may damage the product.

CARE AND MAINTENANCE

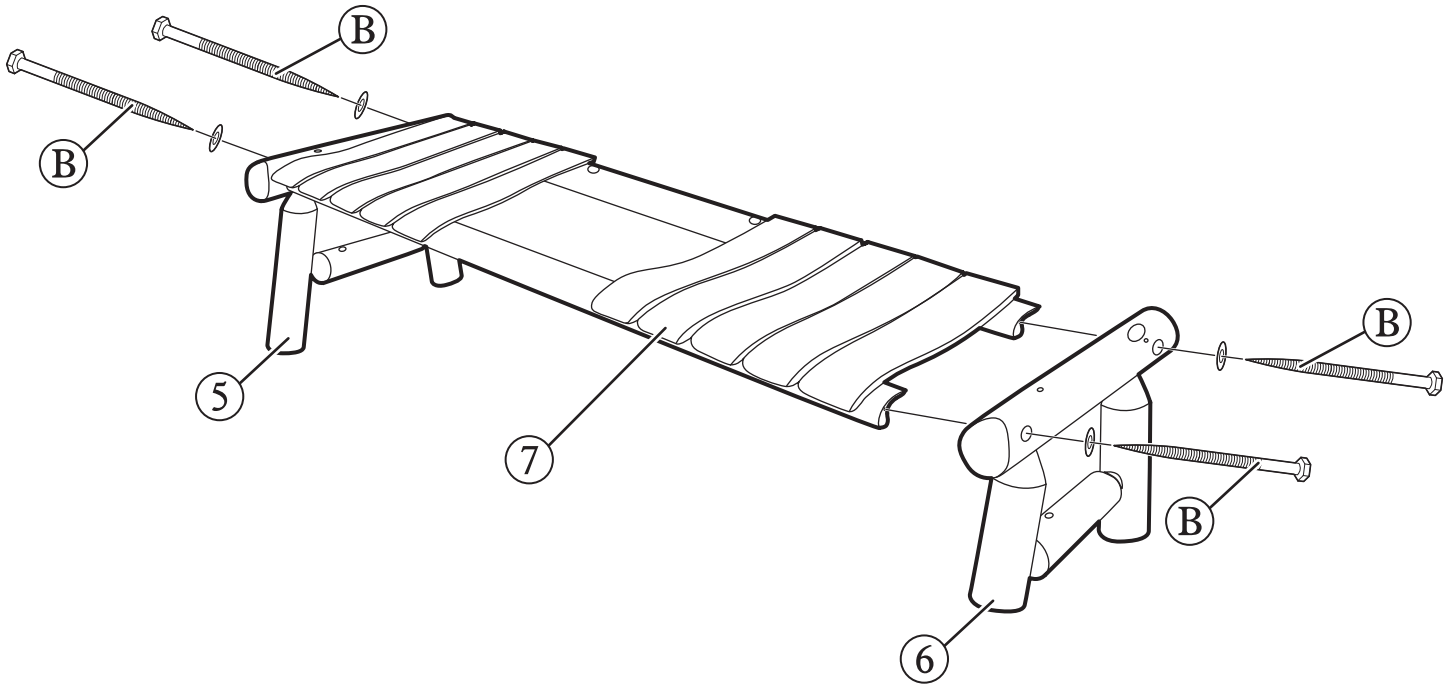
- For domestic and outdoor use.
- Periodically check all fittings and re-tighten as necessary.
- Do not stand on chair.
- This product should only be used on firm, level ground.
- Checking (cracking that runs the length of the log) is natural and does not effect strength.

WEIGHT LIMIT

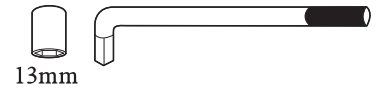
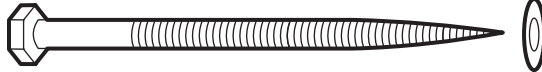
Chair: 800 lb. (362 kg.)

ASSEMBLY INSTRUCTIONS

Step 1

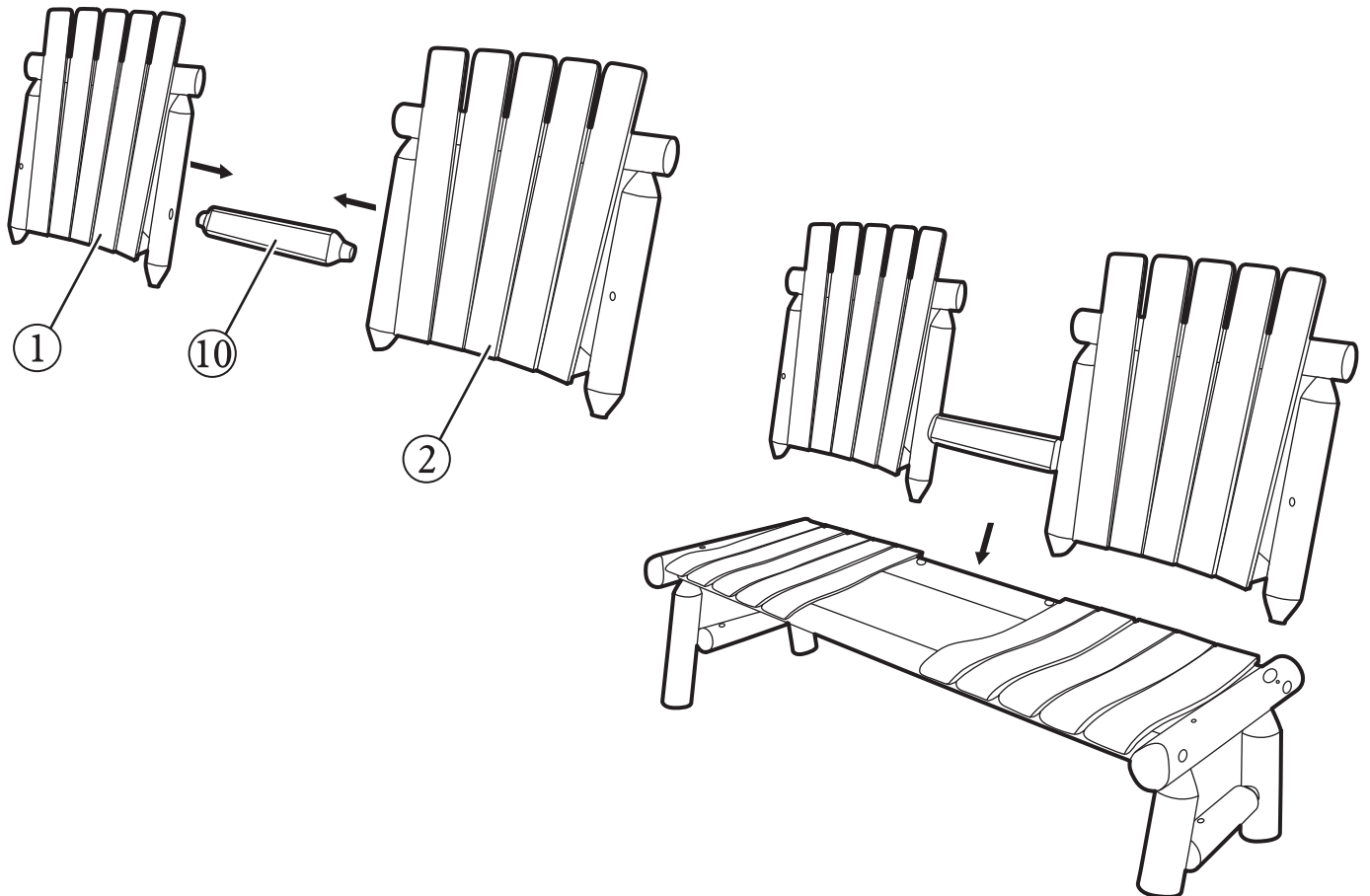


Ⓑ 4 pcs - 8 x 140mm



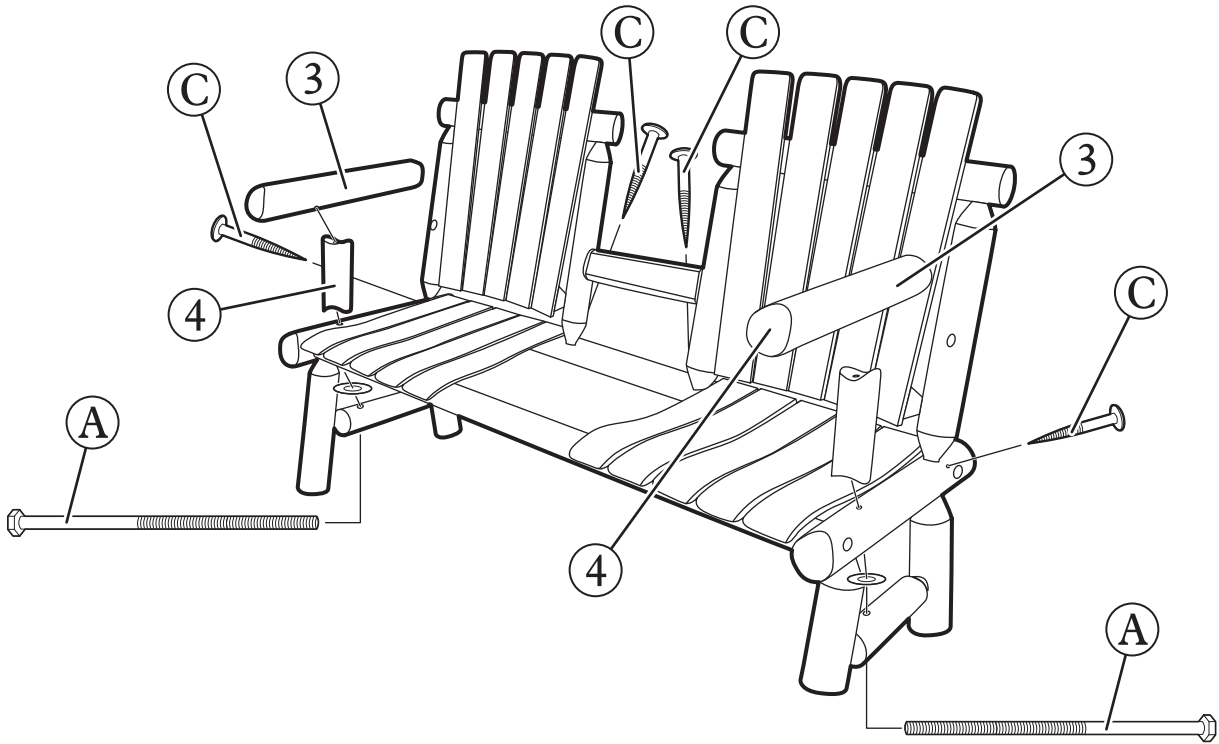
Socket Wrench

Step 2

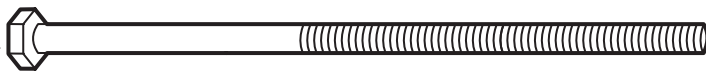


ASSEMBLY INSTRUCTIONS

Step 3



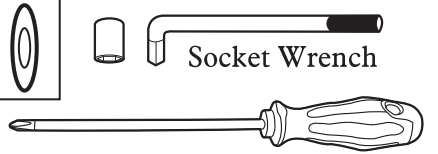
Ⓐ 2 pcs - 10 x 300mm



Ⓒ 4 pcs - 4 x 45mm

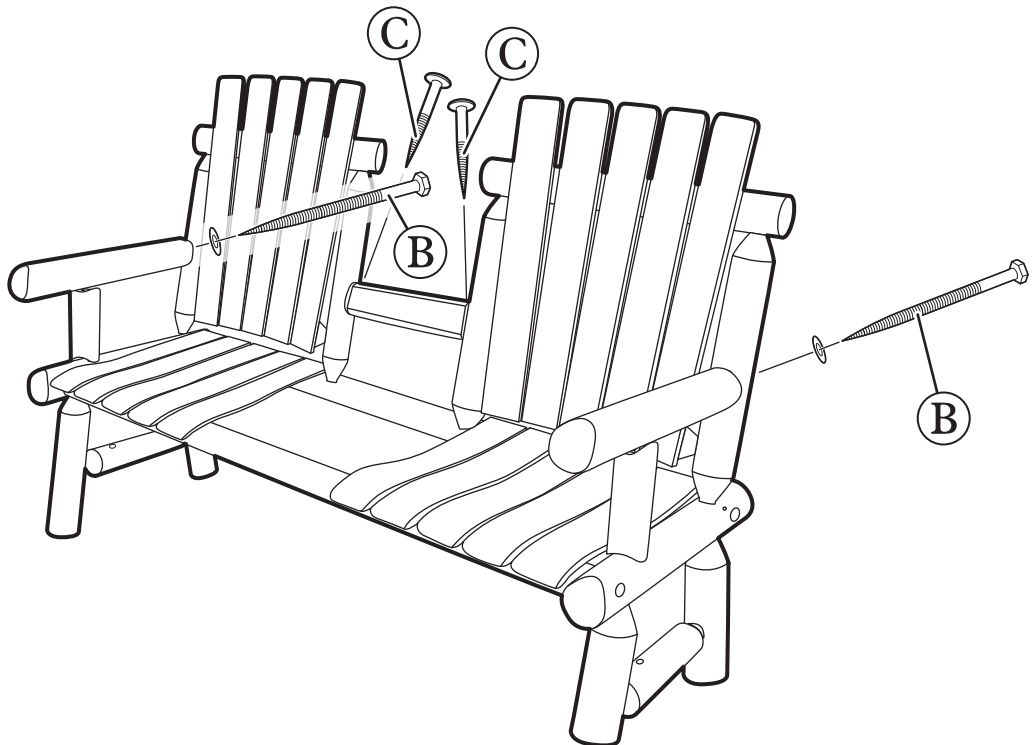


Screwdriver

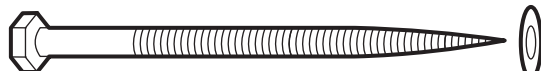


Socket Wrench

Step 4



Ⓑ 2 pcs - 8 x 140mm

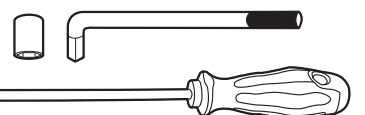


Ⓒ 2 pcs - 4 x 45mm



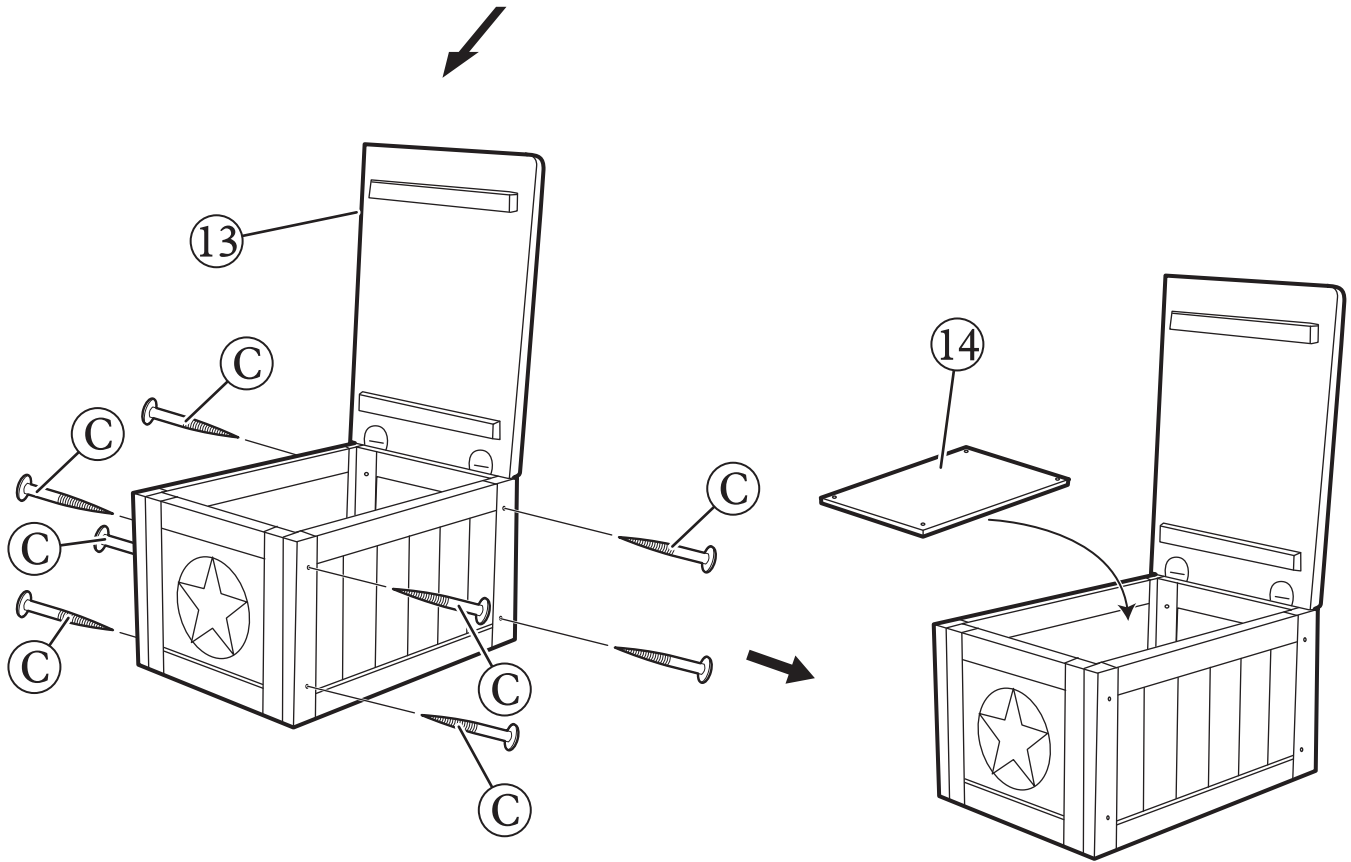
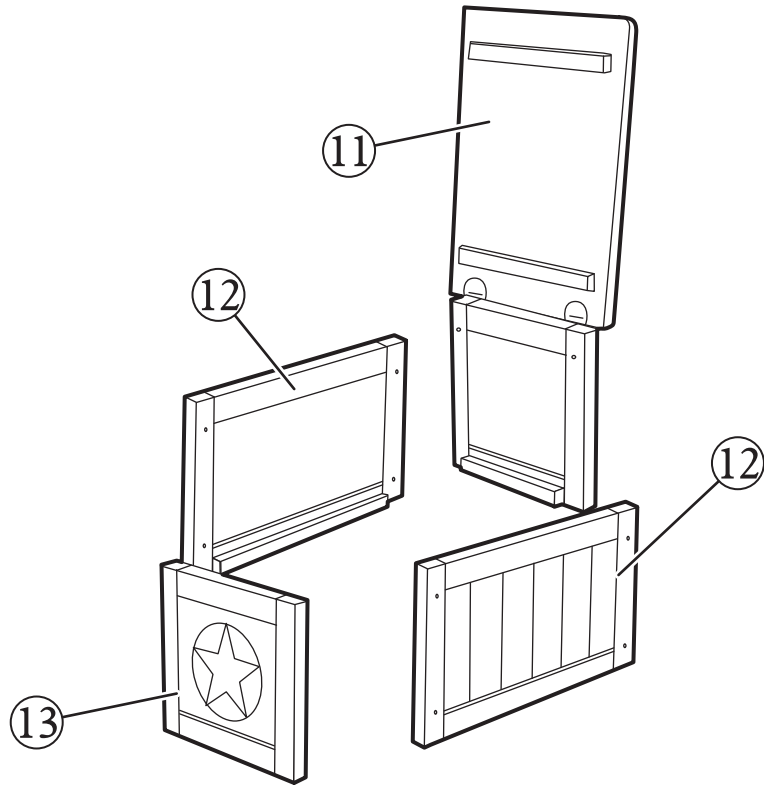
Socket Wrench

Screwdriver



ASSEMBLY INSTRUCTIONS

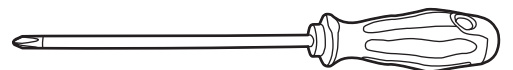
Step 5



© 8 pcs - 4 x 45mm

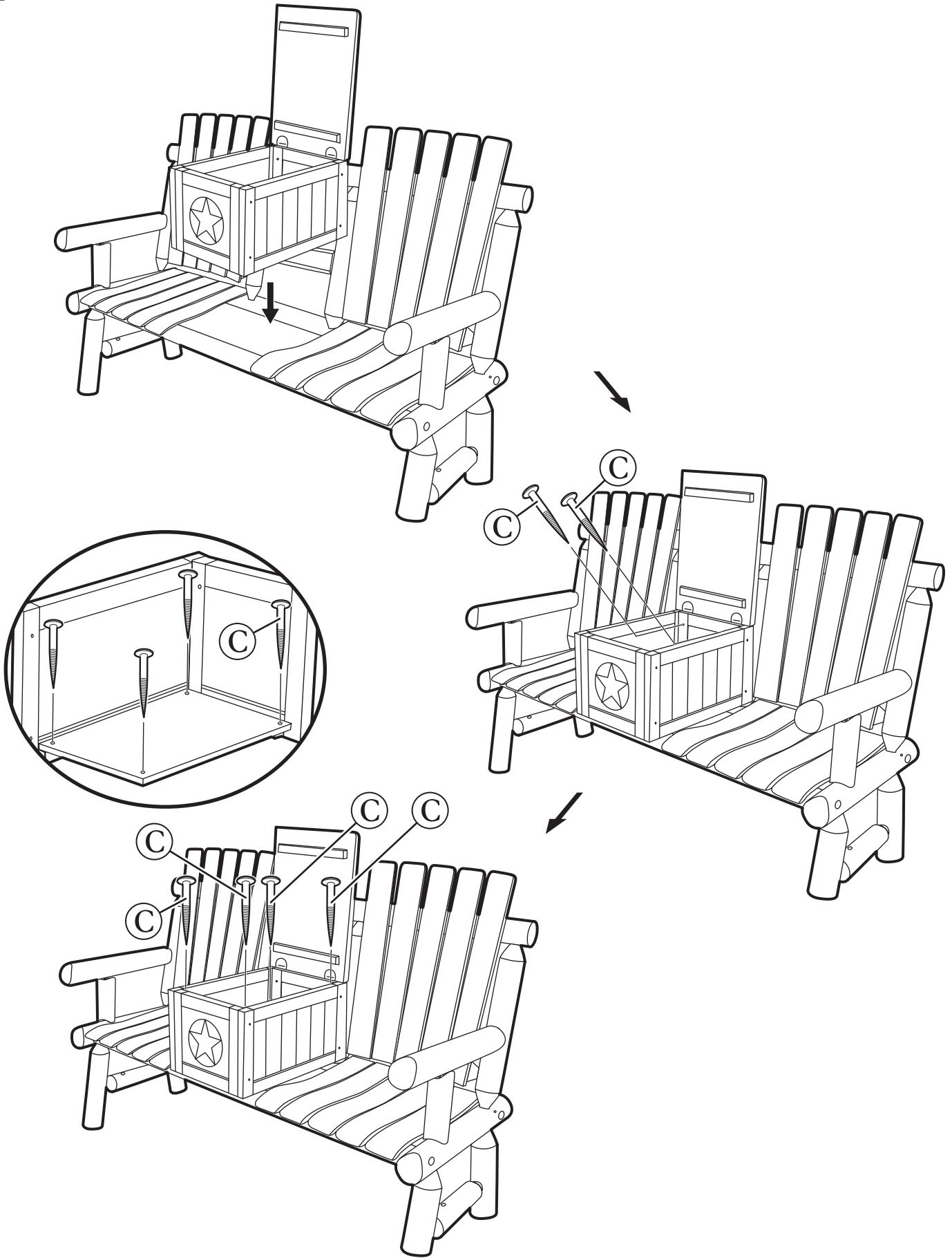


Screwdriver



ASSEMBLY INSTRUCTIONS

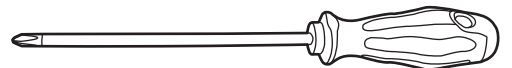
Step 6



© 6 pcs - 4 x 45mm

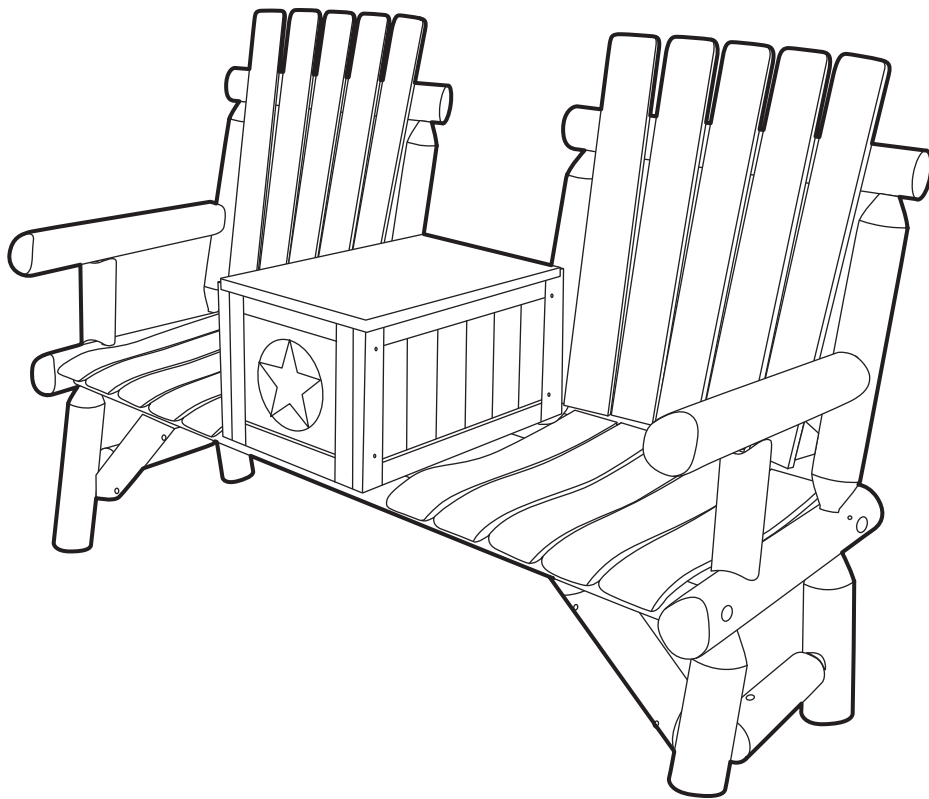


Screwdriver

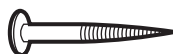


ASSEMBLY INSTRUCTIONS

Step 7



© 4 pcs - 4 x 45mm



Screwdriver

