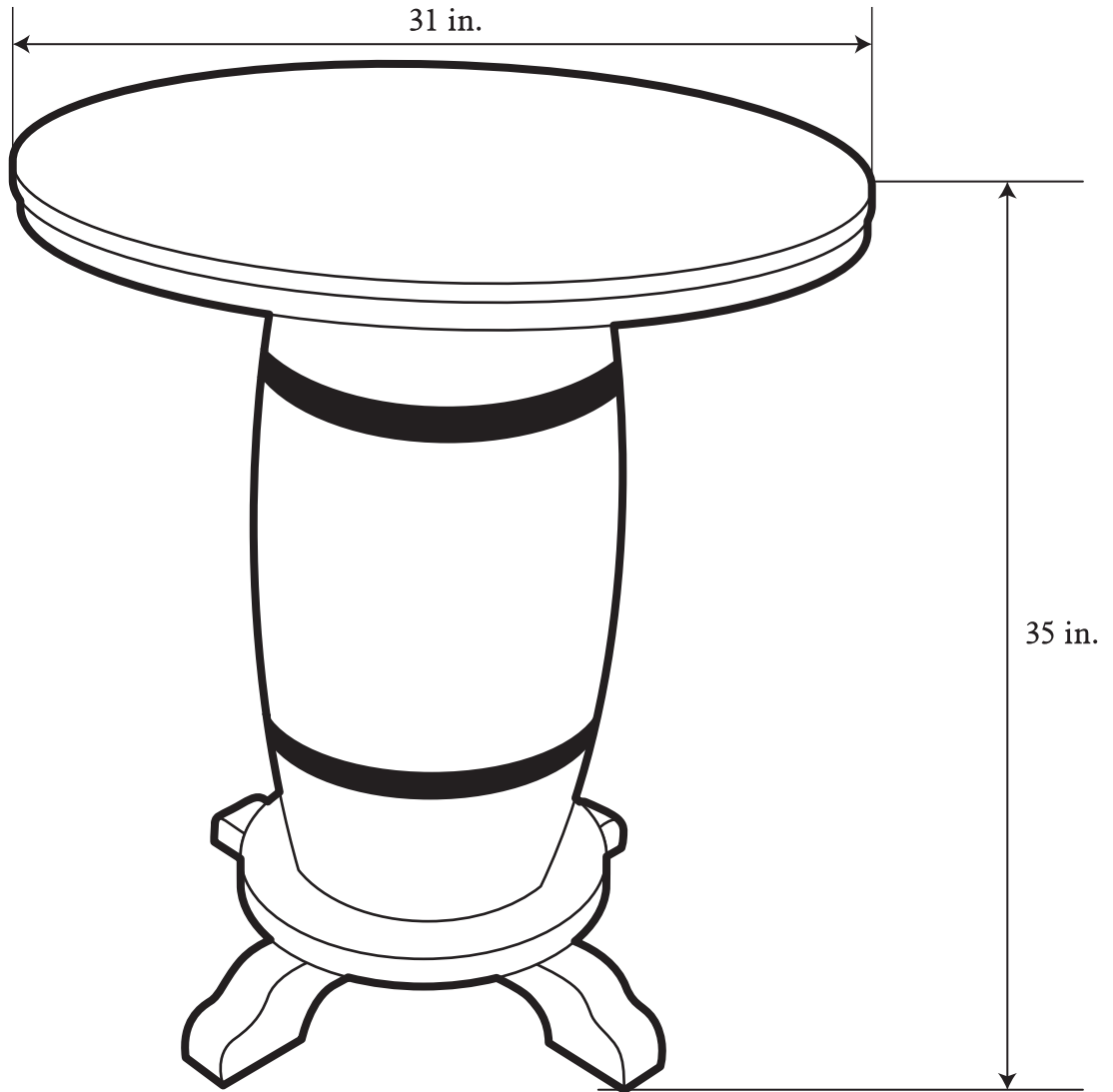


BARREL BISTRO BAR WITH 2 STOOLS

BAR TABLE INSTRUCTION MANUAL

SKU #1045289



Assembled Dimensions

Distributed by:
 TRACTOR SUPPLY COMPANY
 200 POWELL PLACE
 BRENTWOOD, TN 37027
 For customer support,
 call: 1-888-376-9601
 www.TractorSupply.com

Approximate
 assembly time: **20 Minutes**

People
 for assembly:



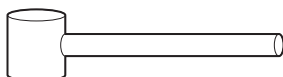
Required assembly space:
 Floor area 9 ft. x 9 ft. (3 m x 3 m)



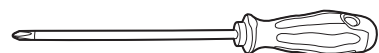
Required assembly tools (Not included):

Caution: Hand tools only, use of power tools could damage product.

Rubber mallet

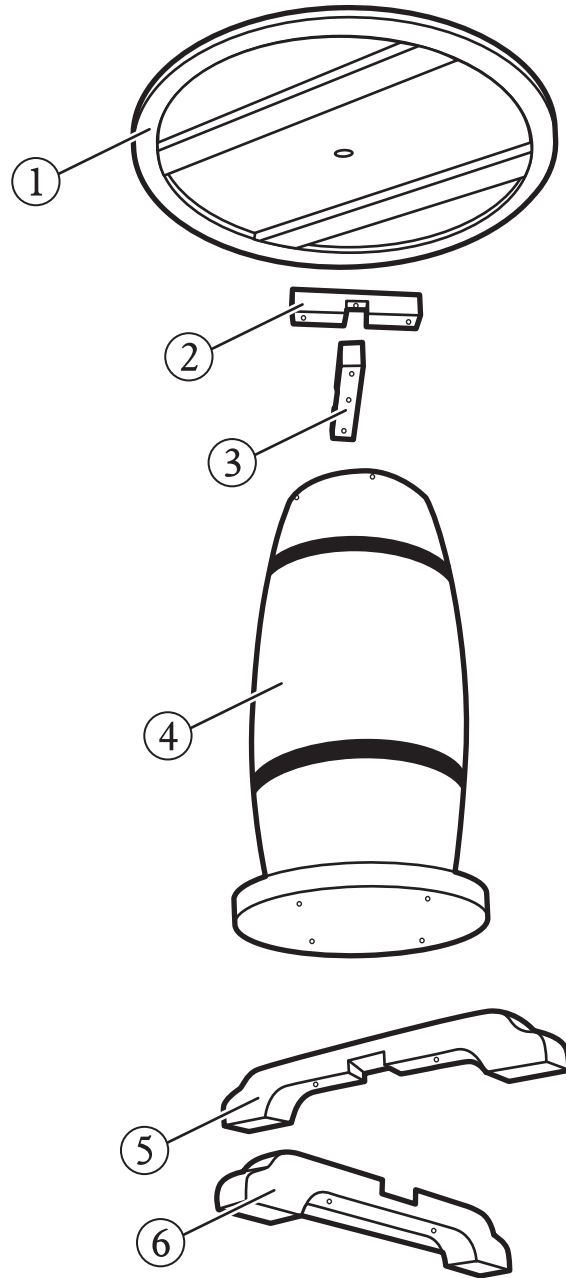


Screwdriver



PARTS LIST

No.	Description	Quantity	No.	Description	Quantity
1	Top	1	4	Barrel Body	1
2	Crossbar	1	5	Upper Foot	1
3	Vertical Bar	1	6	Lower Foot	1



HARDWARE LISTS

Ⓐ 5 pcs - 8 x 50mm



Ⓑ 8 pcs - 4 x 50mm



TIPS BEFORE YOU START!

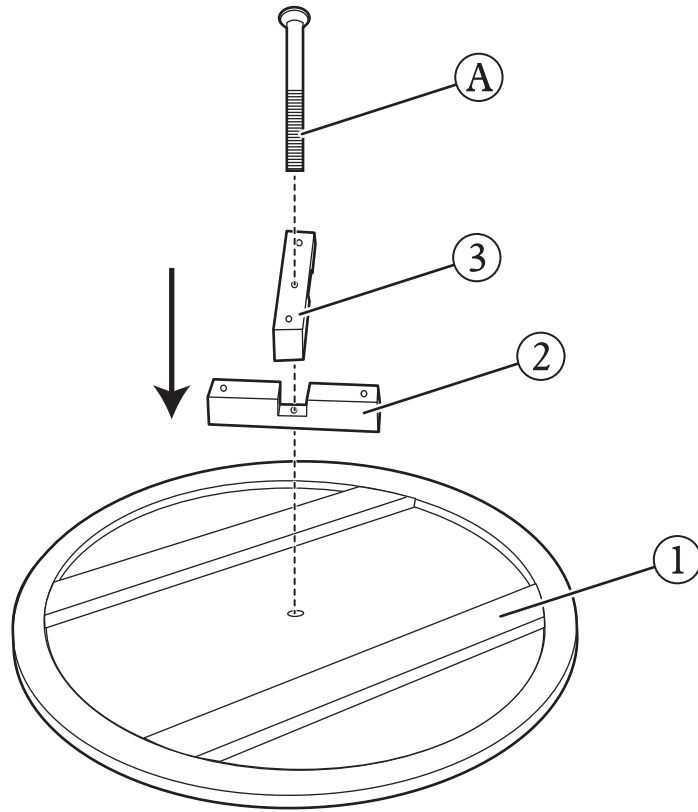
1. Ensure that all parts are present prior to assembly.
2. Check all packing material carefully before discarding, as some parts may be encased in the packing material.
3. For ease and speed assembly, it is recommended that prior to each step all required parts are identified.
4. Ensure that you have sufficient space and people (as indicated on page 1) to assemble product safely.
5. During assembly take care not to over-tighten any fittings, as this may damage the product.

CARE AND MAINTENANCE

- For domestic and outdoor use.
 - Periodically check all fittings and re-tighten as necessary.
 - Do not stand on table.
 - This product should only be used on firm, level ground.
-

ASSEMBLY INSTRUCTIONS

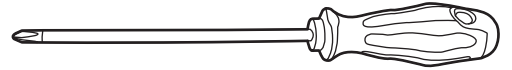
Step 1



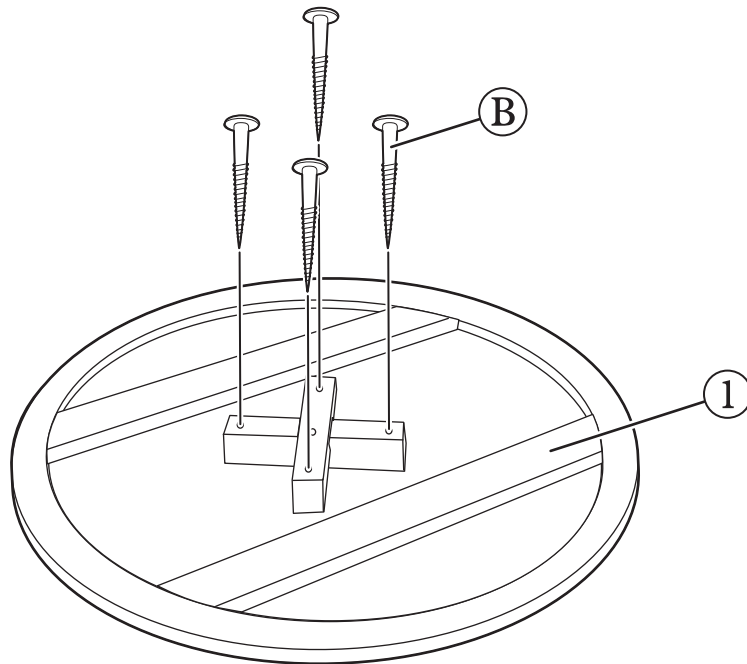
Ⓐ 1 pc - 8 x 50mm



Screwdriver



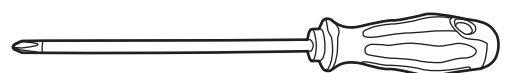
Step 2



Ⓑ 4 pcs - 4 x 50mm

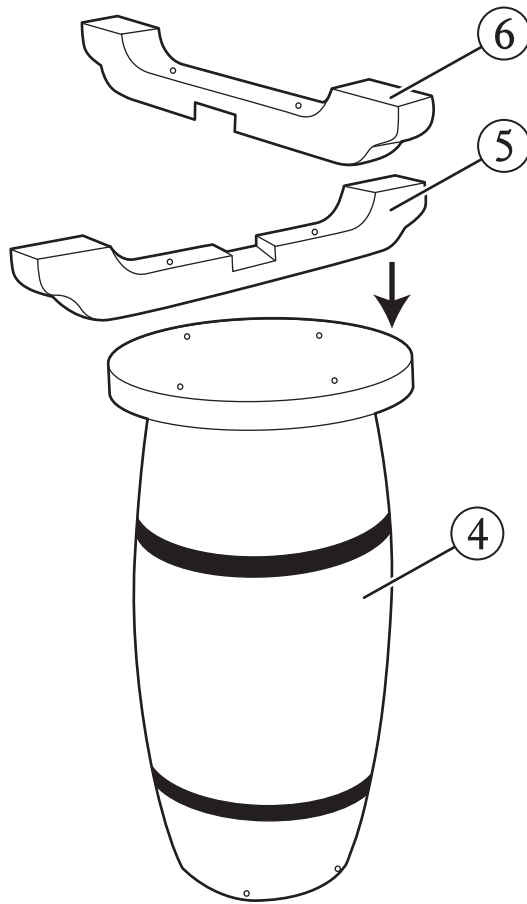


Screwdriver

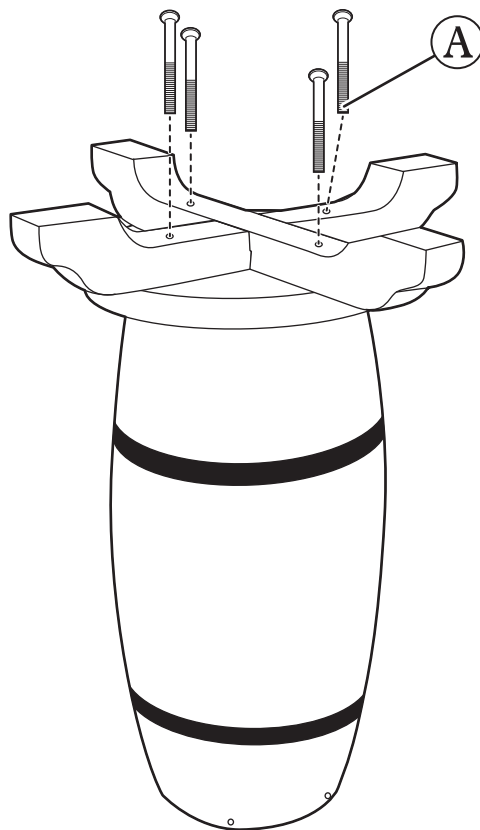


ASSEMBLY INSTRUCTIONS

Step 3



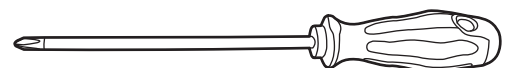
Step 4



Ⓐ 4 pcs - 8 x 50mm

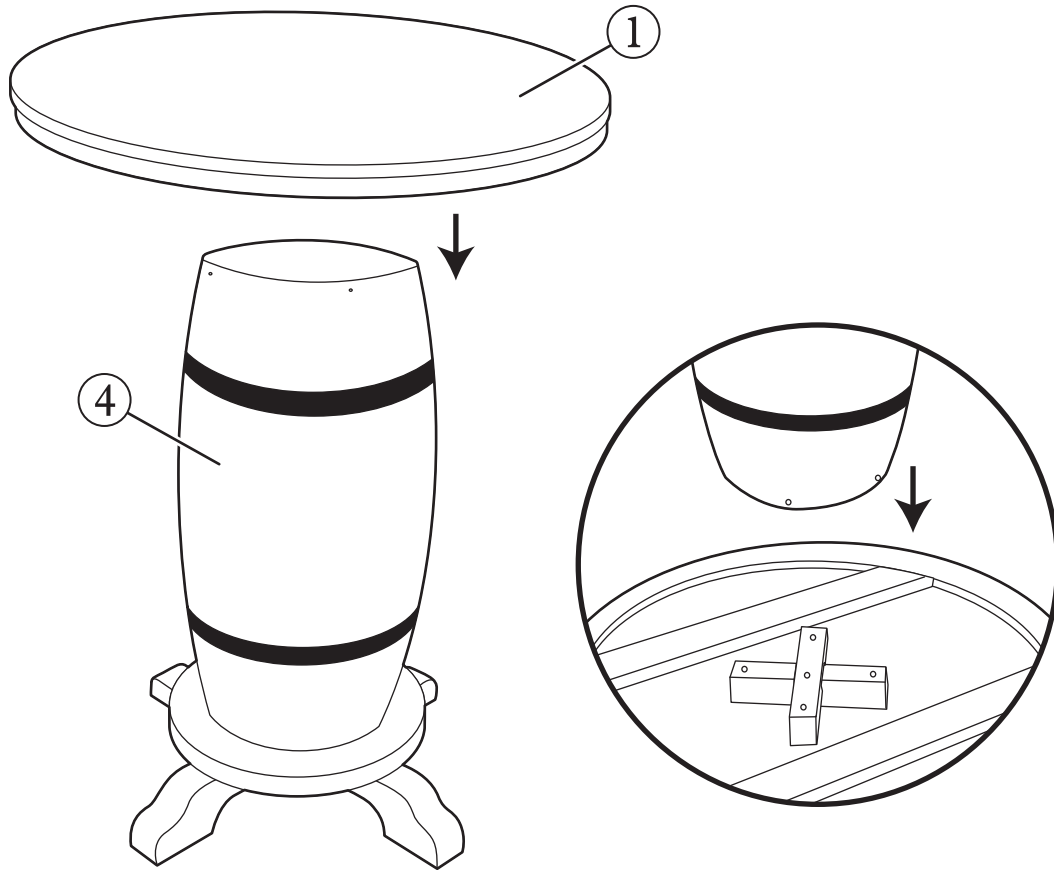


Screwdriver

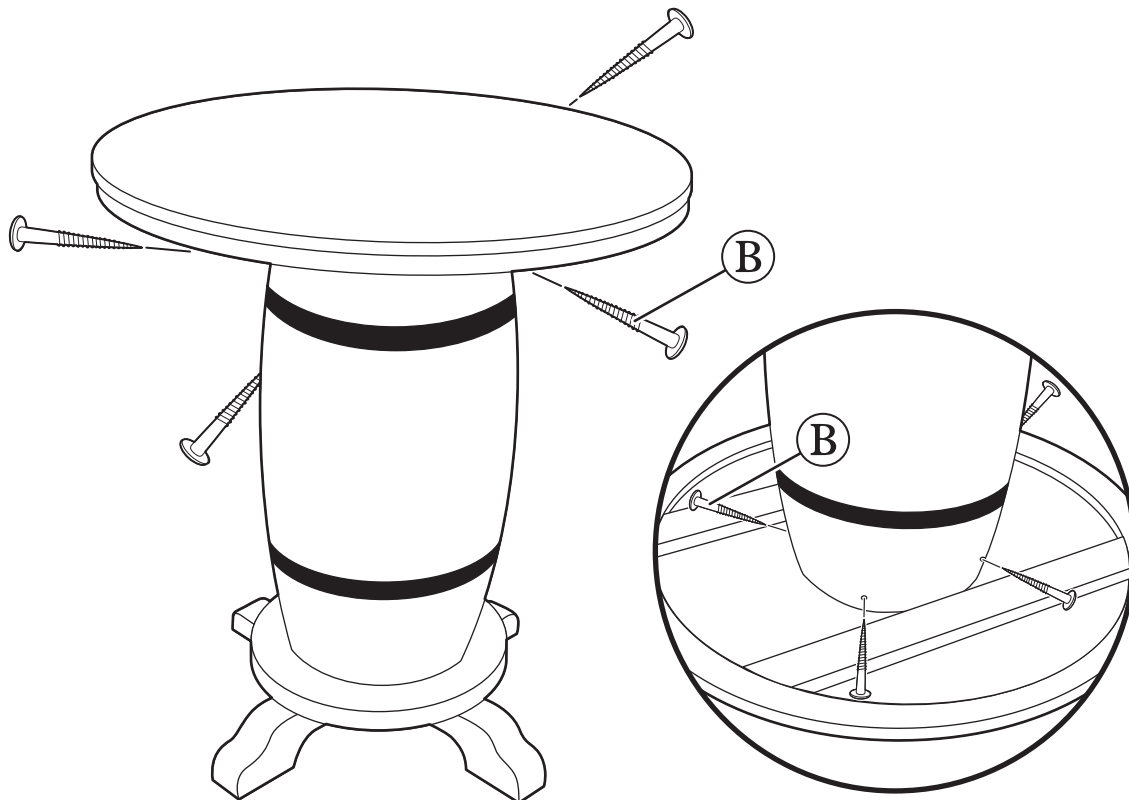


ASSEMBLY INSTRUCTIONS

Step 5



Step 6



ⓑ 4 pcs - 4 x 50mm



Screwdriver

