

# INSTALLATION INSTRUCTIONS

VEHICLE

HONDA RIDGELINE

**EQUIPMENT REQUIRED:** NONE

**WIRING LOCATION:** PU1, PU2

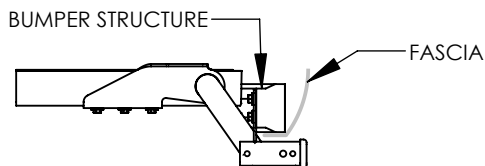
**DRILL BITS:** NONE

**HITCH REQUIRES 5/8" PIN AND CLIP  
IF STABILIZING PIN IS NOT USED**

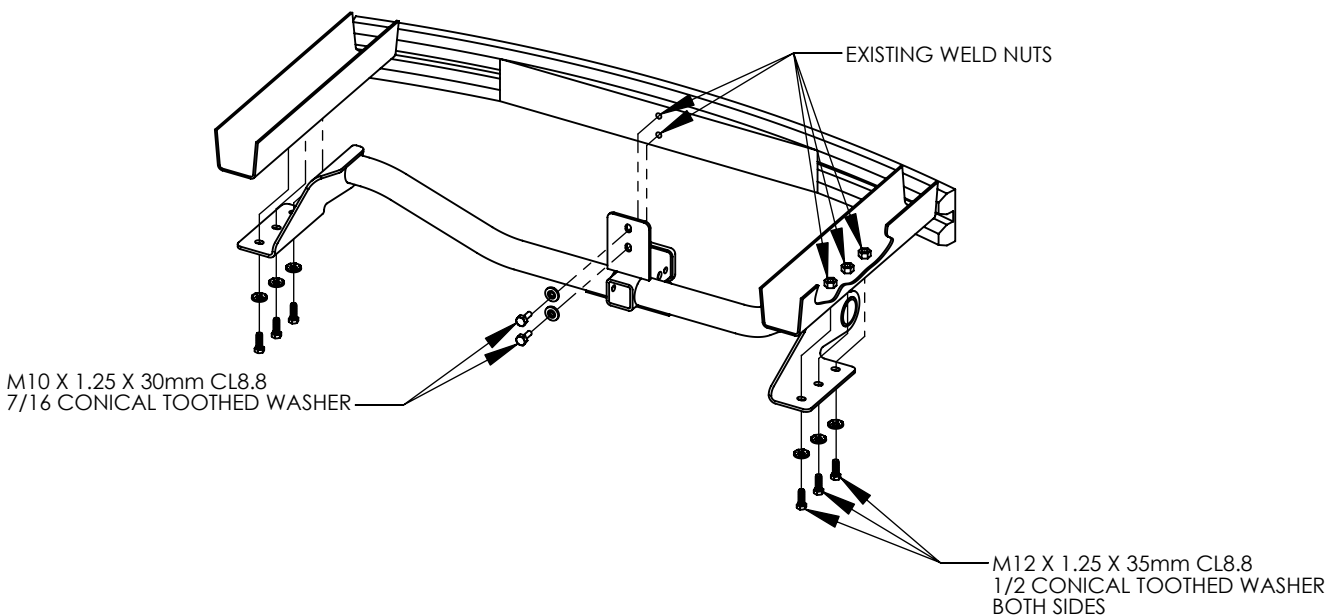
**WRENCHES** (TIGHTEN ALL FASTENERS WITH TORQUE WRENCH):  
10mm, 17mm, 19mm

DO NOT EXCEED LOWER OF  
TOWING VEHICLE MFR'S RATINGS OR

HITCH TYPE ▼	MAX GROSS TRLR WT(LB)	MAX TONGUE WT(LB)
WEIGHT DISTRIBUTING	6,000	600
WEIGHT CARRYING BALL MOUNT	5,000	500

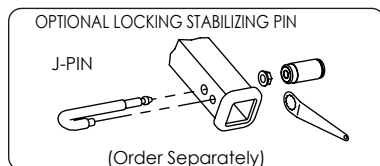


HITCH SHOWN IN PROPER POSITION



1. LOWER THE EXHAUST AND REMOVE THE MUFFLER HEAT SHIELD.
2. RAISE THE HITCH INTO POSITION AS SHOWN.
3. INSTALL THE SIX (6) M12 FASTENERS INTO THE FRAME RAILS AND THE TWO (2) M10 FASTENERS INTO THE BUMPER STRUCTURE AS SHOWN.
4. RE-INSTALL THE HEAT SHIELD AND THE EXHAUST.

**TIGHTEN ALL M10 CL8.8 FASTENERS TO 42 FT.-LB.  
TIGHTEN ALL M12 CL8.8 FASTENERS TO 76 FT.-LB.**



THIS PRODUCT COMPLIES WITH SAFETY SPECIFICATIONS AND REQUIREMENTS FOR CONNECTING DEVICES AND TOWING SYSTEMS OF THE STATE OF NEW YORK AND V.E.S.C. REGULATION V-5.

APPROX WEIGHT (LB.)	FASTENER KIT
40	75280F

NOTE: Check hitch frequently, making sure all fasteners and ball are properly tightened. If hitch is removed, plug all holes in trunk pan or other body panels to prevent entry of water and exhaust fumes. A hitch or ball which has been damaged should be removed and replaced. Observe safety precautions when working beneath a vehicle and wear eye protection. Follow car maker's specs for maximum trailer weight and tongue weight. Do not cut access or attachment holes with a torch.

**TOWING PRODUCTS**  
Plymouth, Michigan