



# ecopure® WATER SOFTENERS

**Built to Last in St. Paul, Minnesota**

Hard water? Not a problem! ecopure® water softeners work as hard as you do, easily handling the most extreme water conditions like high levels of iron and hardness. They're simple to install, easy to maintain and last longer than most competitive models. You'll spend less time cleaning stained fixtures or worrying about maintenance, giving you peace of mind that your ecopure® water softener is protecting your home and saving you time.

Get your water from a private well? No sweat. Dependable ecopure® water softeners handle well water and municipal water supplies in stride. They also add life to your water using appliances, prevent harmful scale build up and save you money on salt, detergents and appliance repair. In fact, water heaters last up to 50% longer and consume up to 29% less energy with soft water.\*

## FEATURES OF ecopure® WATER SOFTENERS:

- Demand initiated regeneration delivers the highest salt efficiency
- Engineered to remove the highest levels of hardness AND iron (ferrous/clear water iron)
- High capacity resin handles well AND city water
- Easy to program electronics (set time and water hardness and you are done!)
- Includes full do it yourself installation kit and bypass valve

### HIGH FLOW VALVE

- Exceeds flow requirements for over 99% of US homes
- Rust and Corrosion Resistant
- Every valve is tested and inspected for quality and performance
- Manufactured using high performance engineering materials for durability

### RESIN TANK

- Cycle tested 100,000 cycles
- Burst tested to over 625 psi (average home has 80 psi)
- Optimized tank design delivers highest flow

**1-YEAR WARRANTY  
IN-HOME PARTS AND LABOR**

**3-YEAR WARRANTY  
ON ELECTRONICS**

**10-YEAR WARRANTY  
ON TANKS**



\*Per research conducted by the Water Quality Research Council and Water Quality Association.

SPECIFICATIONS	MODEL EP7130	MODEL EP7140
Grain Capacity	30,000	40,000
Maximum Hardness	95 gpg	110 gpg
Clearwater Iron PPM	8	10
Valve	High Flow	Super High Flow
Plumbing Connection Provide	1"	1"
NSF Certification	Yes	Yes
Demand Regeneration	Yes	Yes
Low Salt Indicator	Yes	Yes
Salt Type	Salt or Potassium Chloride	Salt or Potassium Chloride
Supply Water Pressure	20-125 psi	20-125 psi
Salt Storage	200 lbs	200 lbs
Warranty – Labor	1 Year	1 Year
Warranty – Parts	1 Year	1 Year
Warranty – Electronics	3 Years	3 Years
Warranty – Tanks	10 Years	10 Years

## Do It Yourself Installation

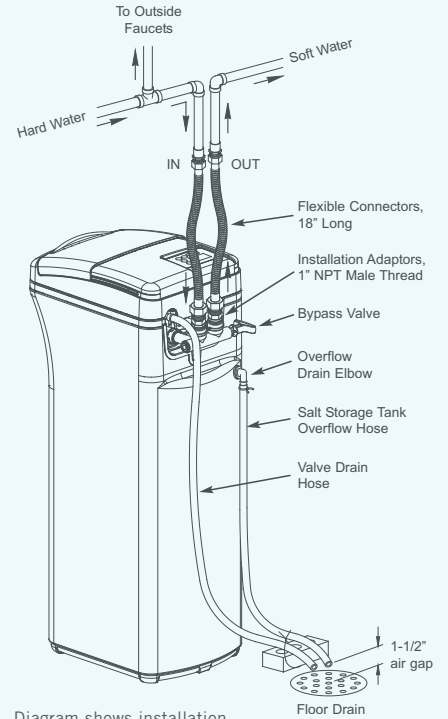


Diagram shows installation with use of optional 18" flexible connectors.

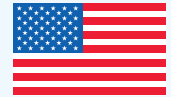
ESTIMATED ANNUAL SALT USAGE*							
Water Hardness Level†	Number of Persons Per Home			Water Hardness Level†	Number of Persons Per Home		
	3	4	5		3	4	5
10	5 Bags	7 Bags	8 Bags	10	7.5 Bags	10.5 Bags	12 Bags
15	7 Bags	10 Bags	13 Bags	15	10.5 Bags	15 Bags	19.5 Bags
20	10 Bags	14 Bags	17 Bags	20	15 Bags	21 Bags	25.5 Bags
	ecopure® Softeners				Competitive Models		

### Questions?

800-693-1138

[www.ecopurewaterproducts.com](http://www.ecopurewaterproducts.com)

ecopure® water softeners are designed, engineered and assembled in the USA. We proudly produce the most salt efficient and reliable water softeners available and have been manufacturing water softeners since 1925.



\*Assumed: 40 pound bags of NaCl 75 gallons per person per day average usage. (Per research conducted by the Water Quality Research Council and Water Quality Association)  
 †To determine your water hardness level, contact your municipal water supplier. © Registered trademark/™ Trademark of ecopure™, U.S.A., used under license.