

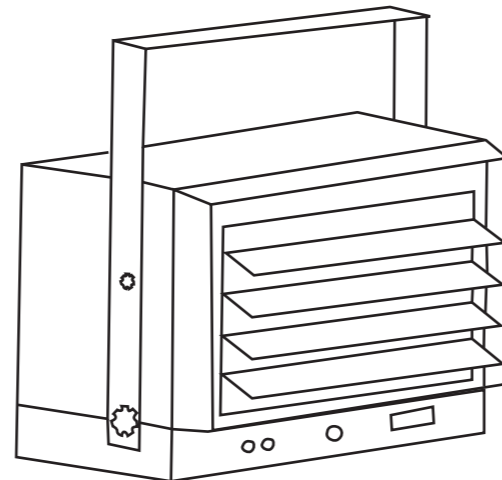


CZ220

HEAVY ELECTRIC UTILITY HEATER



Save These Instructions



DESCRIPTION

Electric utility heaters are designed to meet a variety of heating requirements. Heat output ranges from to 11,285 BTUs per hour to 17,065 BTUs per hour. Features horizontal and vertical flow (horizontal air throw approximately 18ft.), built-in thermostat and high limit thermal cutout.

SPECIFICATIONS

WATTS	SWITCH POSITION	VOLTS	PHASE	AMPS	BTU/HOUR
5000W	III	240V,60Hz	1	20.9	17,065
4000W	II	240V,60Hz	1	16.7	14,105
3000W	I	240V,60Hz	1	12.5	11,285

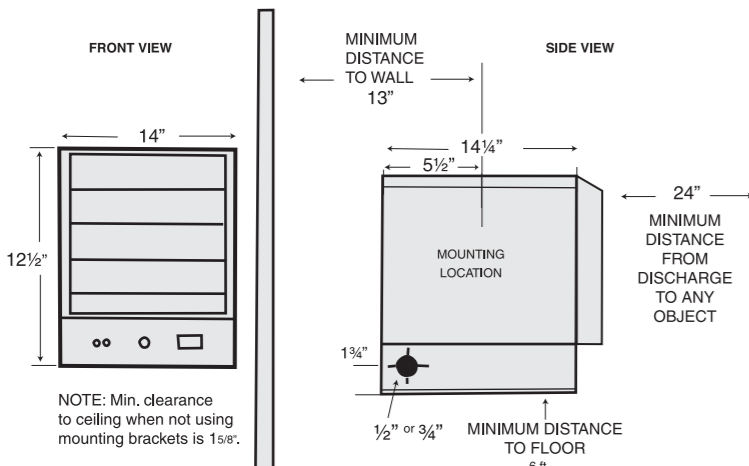


Figure 2

General Safety Information

- WARNING** Read and understand installation and operation instructions and observe all safety instructions.
- Use copper wire only for supply connections use 10 AWG or larger wires suitable for at least 167°F (75°C).
 - Heater air flow must be directed parallel to, or away from adjacent wall.
 - Observe wall, floor, and ceiling clearance requirements.
 - All wiring must conform to national and local electrical codes in the United States and the heater must be grounded as a precaution against possible electrical shock. Heater circuit must be protected with proper fuses.

- The Mounting structure and the anchoring hardware must be capable of reliably supporting the weight of the heater and, if used, the mounting bracket.
- All electrical power must be disconnected and the main service box must be locked before inspection, cleaning or servicing the heater. This is a precaution to prevent serious shock.
- This heater is not suitable for use in hazardous locations as defined by the national fire protection association (NFPA) in the United States. This heater has hot and arcing (sparking) parts inside. Do not use in areas where gasoline, paint, or flammable liquids are used or stored.
- This heater is not suitable for use in corrosive atmosphere such as marine, greenhouses or chemical storage areas.
- Do not install closer than 8 inches to a vertical surface. Do not install less than 6 feet from the floor.

WARNING Improper installation or failure to follow the procedures outlined in this instruction manual can result in serious electrical shock.

LOCATING HEATER

Install heater out of traffic areas maintaining clearances stated in figure 2. The direction of air flow should not be restricted (ie: by columns or machinery) and the air flow should wipe exposed walls, rather than blowing directly at them. When more than one heater is used in an area, the heaters should be arranged so that the air discharge of each heater supports the air flow of the others to provide best circulation of warm air, as indicated in figure 3.

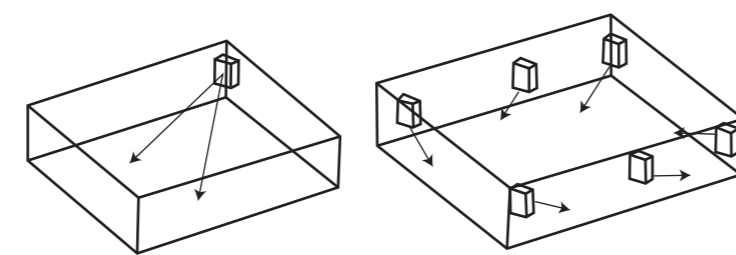


Figure 3

Installation MOUNTING THE BRACKET

- Refer to Figure 4a and 4b.
- Locate a stud in the ceiling joist.
 - Remove the mounting bracket from the heating unit by loosening bracket thumb screws.
 - Drill a 3/4" pilot hole in ceiling joists. Place a washer on screws before inserting through the holes in the mounting bracket, and screw them securely into a ceiling joist.
- NOTE: If you want to swivel the heater either to the right or left, adding a washer to both sides of the bracket is recommended. A longer Lag bolt may be required to properly secure the unit (see 4a).
- Tighten screws enough to securely hold heating unit with air flow pointed in proper direction.

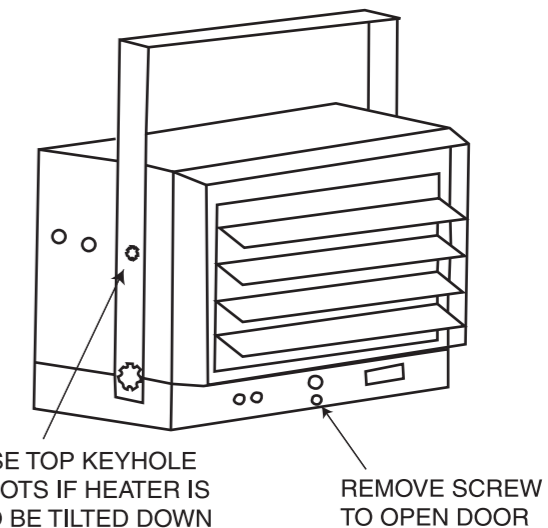


Figure 5

Installation (Continued) CONNECTING THE POWER

- Remove the screw from the front of the unit to connect the power to the heater.
- Attach the cable connectors to the unit (See Figure 6) and slide the 10 gauge wire through the cable connector.

NOTE: For certain applications, conduit may be required (See figure 6). Check local electrical codes. If you run the wiring in conduit and wish to be able to turn the heater be sure to purchase enough flexible conduit to allow the heater to be turned.

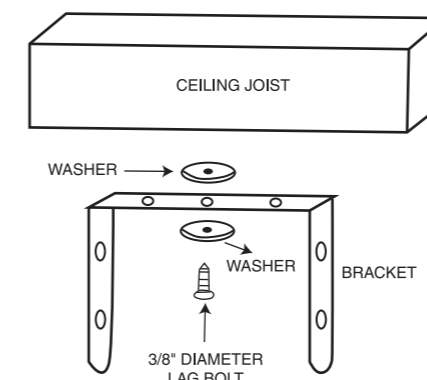


Figure 4a- Single- Screw Mounting

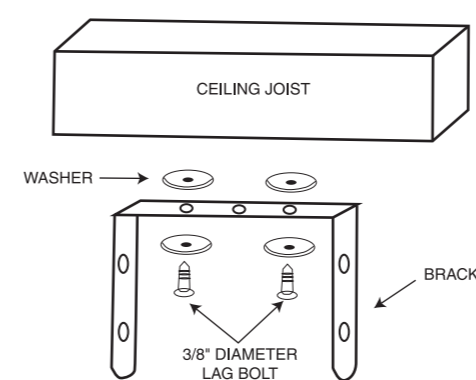


Figure 4b- Double-Screw Mounting

HANGING THE HEATER

- Attach the heating unit to the mounting bracket.
- Lift the heater up and into the mounting bracket.
- Align the bracket screws with the keyholes slots in the mounting bracket.
- If the heater is to be tilted, it must be positioned in the keyholes slots (see figure 5)
- Tighten the bracket screws with a wrench so the unit is securely suspended horizontal or vertical level.

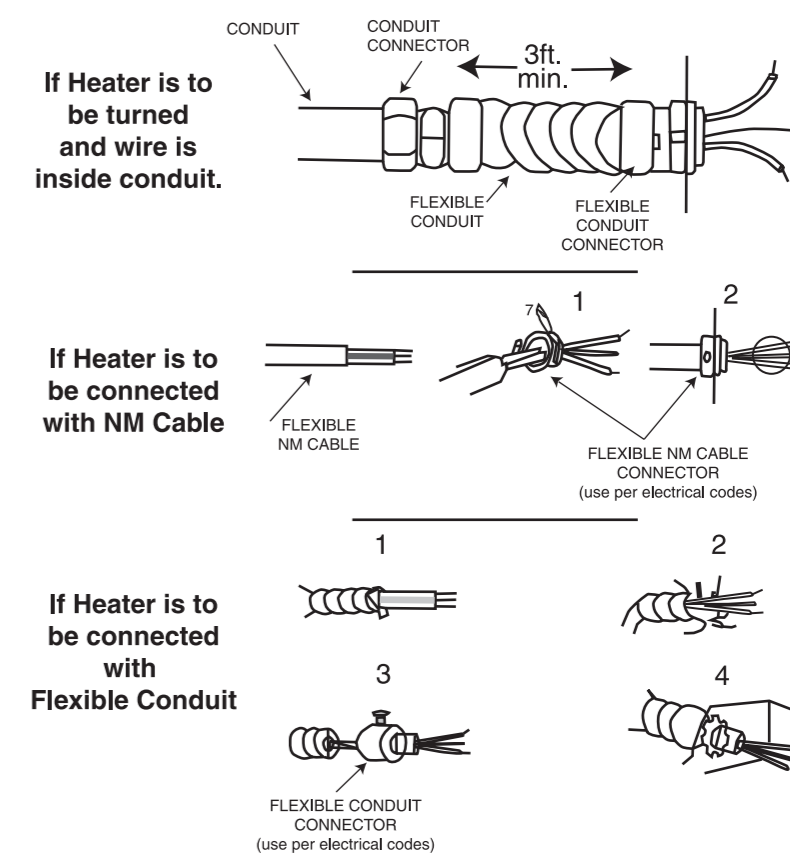


Figure 6

Black border shows page size and should not print

- Connect the wire to the power block located in the base of the heater (see Figure 7).
- Turn on the power at the main service.

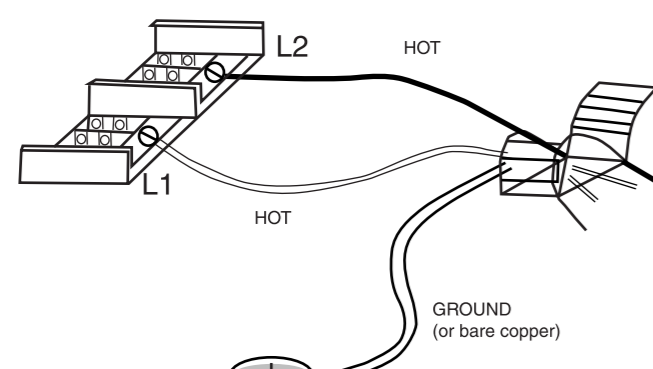


Figure 7

Operation

SETTING THE THERMOSTAT

- Rotate thermostat knob clockwise to high position.
- After room reaches desired comfort level, rotate thermostat knob counter-clockwise until the thermostat clicks off.

NOTE: Heater will cycle on and off to maintain room temperature. The first time you operate the unit, it may smoke slightly. This is due to residual cleaning agents used to clean the element when the heater is manufactured. This is normal and does not indicate a problem with the unit. This condition will stop after the heater has been in operation for a few minutes.

THERMAL CUTOUT

The heater are equipped with a thermal cutout which will automatically shut off the heater in the event of overheating. The heater will turn on when the abnormal temperature returns to normal. Should the unit overheat and cause the thermal cutout to cycle, the cause of the overheating should be determined and corrective action taken before further operation.

Operation (Continued)

ADJUSTING AIR FLOW DIRECTION

- Turning the unit** -If the unit has been installed with a single lag bolt, as shown in the figure 4a, simply turn the entire unit as needed to adjust air flow.
- Tilting the unit** -Loosen the bracket screws (see figure 5).

NOTE: To tilt the heater it must be mounted in bottom keyhole slots of mounting brackets to maintain adequate clearance and prevent possible overheating.

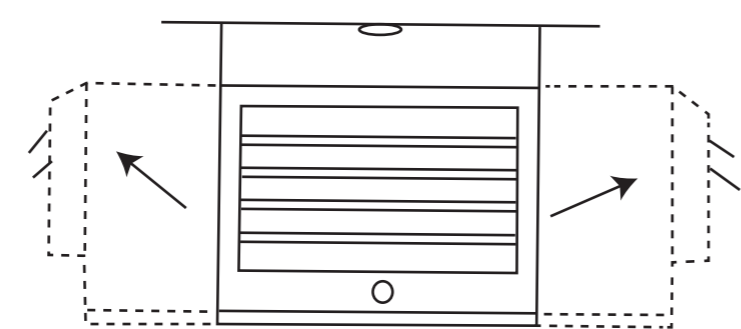


Figure 8

Rotate

- Adjusting the louvers to the desired position.

NOTE: The louvers are designed so they can't be completely closed. Do not attempt to defeat this feature, damage to the unit can result.

SAFETY INSTRUCTIONS:

- This heater is hot when in use. To avoid burns, do not let bare skin touch hot surfaces. If provided, use handles when moving this heater. Keep combustible materials, such as furniture, pillows, bedding, papers, clothes, and curtains at least 3 feet (0.9 m) from the front of the heater and keep them away from the sides and rear.
- This heater is not intended for use in bathrooms, laundry areas and similar indoor locations. Never locate heater where it may fall into a bathtub or other water container.
- This heater is designed to be directly wired to 240 volt electric power. Never use with an extension cord or relocatable power tap (outlet/power strip).

MAINTENANCE

Because of its rugged design, superior engineering, and high quality craftsmanship, the heater requires little maintenance. With proper care, your electric heater should last a lifetime, but seasonal cleaning is recommended to maintain the efficiency of the heater.

CLEANING THE HEATING ELEMENT

WARNING To prevent possible electric shock, all power must be shut off at the main service before inspecting or cleaning.

To clean the heating element, loosen (but do not remove) the four Phillips head screws located behind the louvers in the corners of the lower housing on both sides, lift up, and pull out (see Figure 10). This provides access to the heating element. Remove dust or lint with a soft brush or a vacuum cleaner. Replace the louver housing and tighten the Phillips head screws.

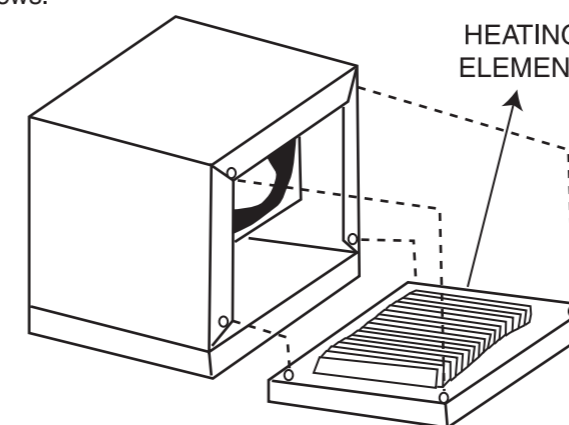


Figure 10

WARNING

Use care to prevent damage to internal heater wiring when cleaning element. make sure all connections remain tight and all wiring is routed away from element fins when re-assembling the unit. Allowed wiring to touch the element fins could result in a fire hazard.

CLEANING THE FAN AND MOTOR

WARNING To prevent possible electric shock, all power must be shut off at the main service before inspecting or cleaning.

Remove the protective grill from the rear of the heater. This provides access to the fan and motor. Wipe off the fan and the motor with a soft cloth or brush. The fan motor does not require lubrication. Replace protective grille (see Figure 11).

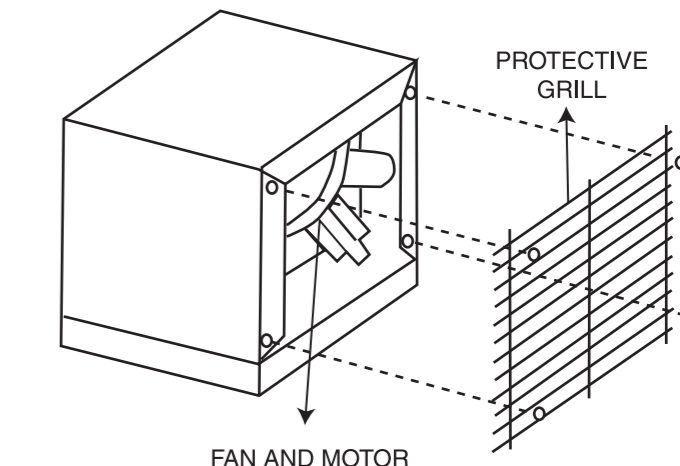


Figure 11

LIMITED WARRANTY

This unit is guaranteed to the original retail purchaser against defects in quality or workmanship for a period of one year from the date of original purchase. If this unit fails because of a manufacturing defect within 30 days of purchase, return the unit, with your receipt, to the retailer. After 30 days, but within the warranty period, if the unit was purchased within the continental United States, return it, freight prepaid, to World and Main for repair or replacement. If the unit was purchased outside the continental United States, return the unit to the place of purchase. This warranty does not cover damage caused by misuse, abuse, overheating or alteration. Repairs made by anyone other than World and Main are not covered in this warranty. World and Main will not be held liable for any losses due to neglectful operation. All implied warranties, including the warranties of merchantability and of fitness of purpose, if applicable, are hereby limited in duration to the period of one year from the date of original retail purchase. Some states do not allow limitations on how long an implied warranty lasts, so the above limitations may not apply to you. Incidental or consequential damages arising from a breach of either express or implied warranties are hereby disclaimed and excluded. Some states do not allow the exclusion of limitation of incidental or consequential damages, so this limitation or exclusion may not apply to you. Upon the expiration of this warranty all such liability will terminate. No other warranties are expressed or implied.

This warranty gives you specific legal rights, and you may also have other rights which vary from state to state. No informal dispute settlement mechanisms are available. This limited warranty is given in lieu of all other warranties.

Manufactured for:
World and Main (Cranbury), LLC
324A Half Acre Rd.
Cranbury, NJ 08512 USA
800-221-6895
www.comfortzoneproducts.com

Rev. 012017