



# SHB210 THE COMMANDER GROUND BLIND: SETUP & USAGE MANUAL

**Please read and follow all instructions and warnings. Failure to follow these instructions may result in serious injury or death!**

- ⚠ WARNING!** This product is not fireproof. The fabric will burn if it comes into contact with an open flame or fuel source. Keep product away from direct flame. Failure to follow this warning may result in serious injury or death!
- ⚠ WARNING!** This product is for hunting purposes only! It is not to be used as a camping tent or for any other function. Failure to follow this warning may result in serious injury or death!
- ⚠ WARNING!** Do not use devices that produce fumes inside of blind. Vapors and fumes could result in carbon monoxide poisoning, serious injury, or death!
- ⚠ WARNING!** Do not allow children or adults to use lighted candles, matches, or other sources of fire near this product. Failure to follow this warning may result in serious injury or death!
- ⚠ WARNING!** Do not allow the material to cover your face. This may result in serious injury, suffocation, or death!
- ⚠ WARNING!** Do not allow children to use this product without direct adult supervision. Failure to follow this warning may result in serious injury or death!

### TIPS FOR INCREASING PRODUCT LONGEVITY

Always store your blind in a cool dry place and make sure that your blind is completely dry and clean before storing in carrying bag. Never leave your blind outside for any longer than needed. This material may fade after long periods of time in direct sunlight.

**⚠ WARNING! ⚠**  
**Read all instructions and safety warnings and follow them thoroughly. Failure to follow these instructions may result in serious injury or death!**

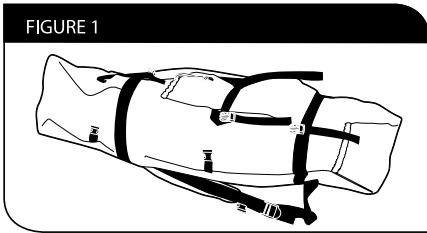
Parts List (SHB210)		
Part #	Description	Qty
UP12-0127	Center Window Shoot Through Mesh	4
UP12-0128	Side Window Shoot Through Mesh	8
UP12-0104	Tie Down Rope	4
UP12-0105	Carabineer	1
UP12-0106	Anchor Stakes	9
UP12-0129	Carry Bag	1
UP13-0232	Instruction Manual	1

**⚠ WARNING:** Keep all flame and heat sources away from this tent fabric. This tent meets the flammability requirements of CPAI-84. The fabric may burn if left in continuous contact with any flame source. The application of any foreign substance to the tent fabric may render the flame resistant properties ineffective.

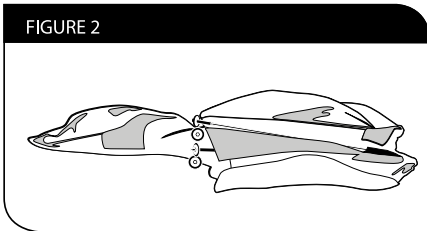
# ASSEMBLY INSTRUCTIONS FOR SHB210

## ⚠ WARNING! ⚠

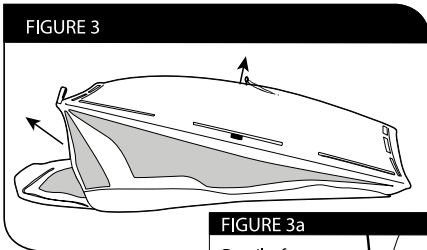
Read all instructions and safety warnings and follow them thoroughly. Failure to follow these instructions may result in serious injury or death!



**STEP 1:** Remove blind from carrying bag and release the buckle on the tie strap.



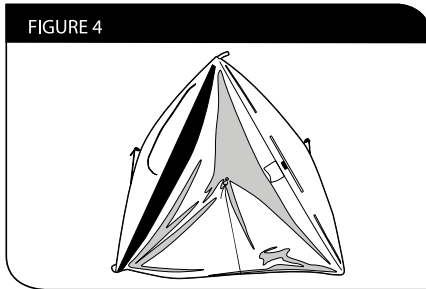
**STEP 2:** Spread the hubs of the blind out and flip it open revealing the center hub of the top of the blind.



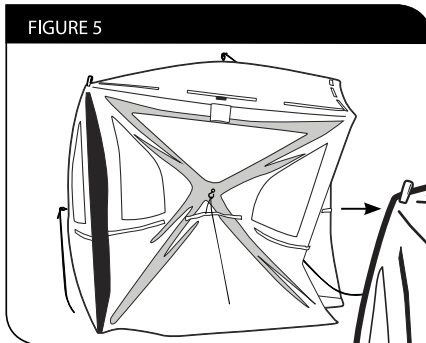
**STEP 3:** Firmly pull cord on the top of the blind fully expanding the hub. (FIG. 3 & 3a)

FIGURE 3a

Detail of center hub ring from the outside of the blind. Pulling on the center hub cord will expand blind top and walls.

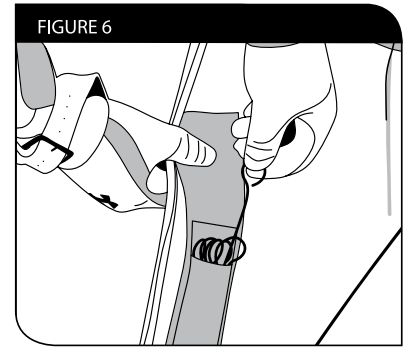


**STEP 4:** Lift the top of blind, revealing the hub of one of the wall panels. Then, firmly pull on the cord expanding the first wall.



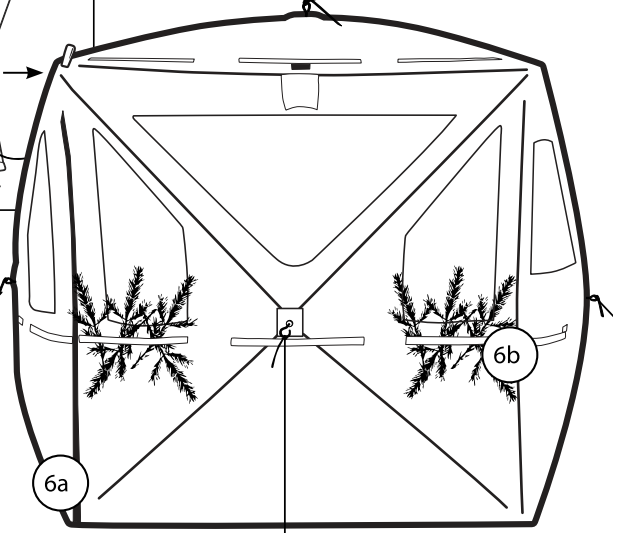
**STEP 5:** Continue around the blind expanding one wall at a time until all walls are set and blind is standing square.

**Completed Ground Blind Installation**

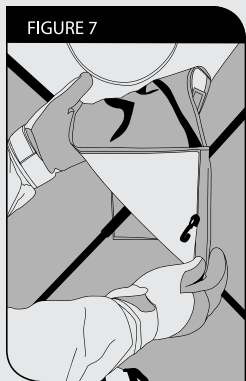


**STEP 6a:** Use stakes (found in pouch inside the door) (FIG. 6) secure the blind to the ground on all four corners, then secure high wind tie downs using the hub cords.

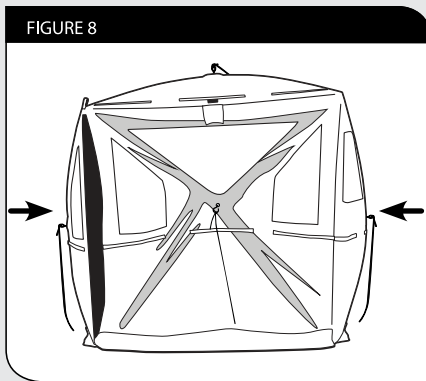
**STEP 6b:** Add brush and set windows to desired position.



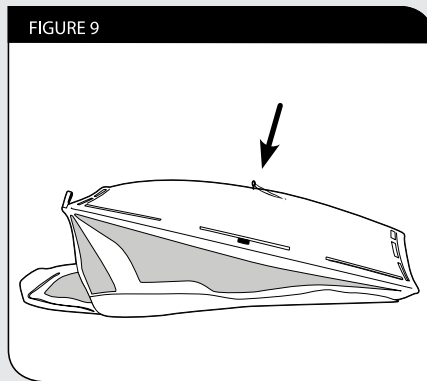
## GROUND BLIND DISASSEMBLY INSTRUCTIONS



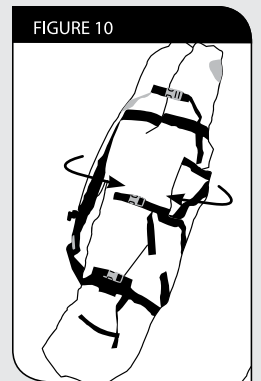
**STEP 7:** Close all windows and remove stakes.



**STEP 8:** Push in the hub of one of the wall panels and continue around the blind until all walls are collapsed.



**STEP 9:** Collapse the roof and then fold blind together with all hubs together on one end and all soft ends together on the other.



**STEP 10:** Cinch the tie straps and store blind in carry bag.