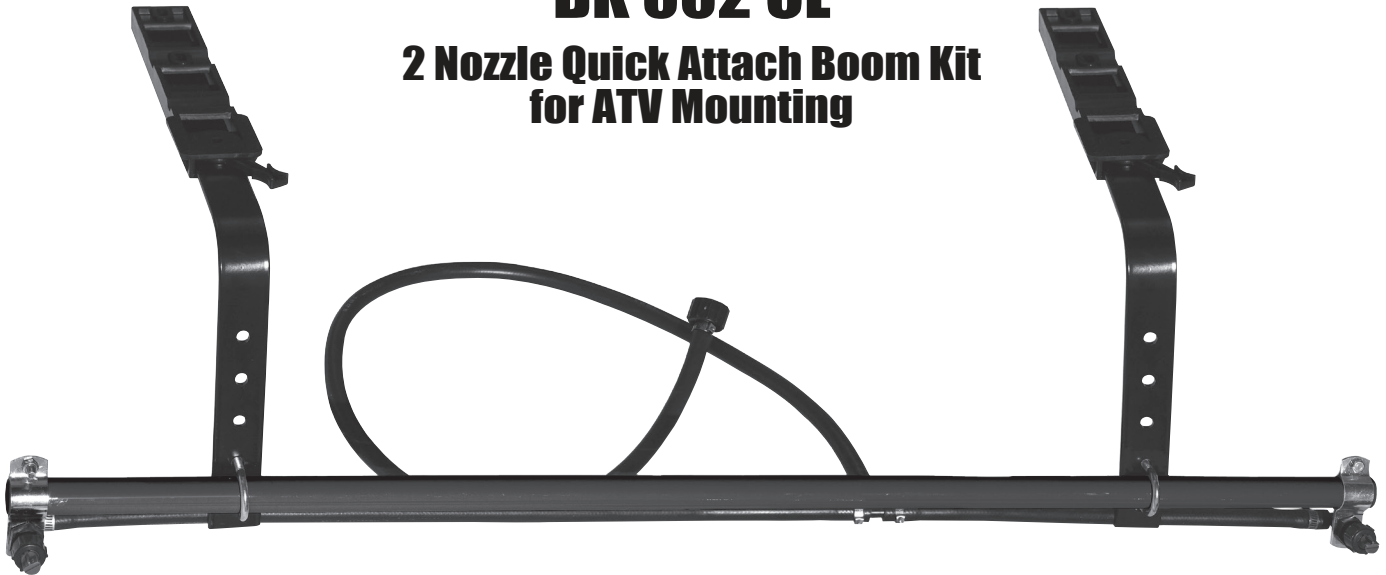




COUNTYLINE®

Assembly / Operation Instructions / Parts

BK 002 CL 2 Nozzle Quick Attach Boom Kit for ATV Mounting



TSC# 1028386 VENDOR # BK 002 CL*

DELUXE 2 NOZZLE BOOM KIT

- 2 Nozzle Boom Assembly
- Quick Attach Mounting System
- 80 inch coverage with Check Valve and Filter

* This boom kit is designed to be used with an LG 25DSSCL and attached to an ATV.

RATE CHART FOR 80/110-02 SPRAY TIP

Pressure (PSI)	Capacity (GPM)	GALLONS PER ACRE BASED ON WATER - 20" SPACING							
		1 MPH 88 FPM	2 MPH 176 FPM	3 MPH 264 FPM	4 MPH 352 FPM	5 MPH 440 FPM	7.5 MPH 660 FPM	10 MPH 880 FPM	
20.0	0.14	41.8	20.9	14.0	10.5	8.4	5.6	4.2	
30.0	0.17	51.2	25.6	17.2	12.9	10.3	6.9	5.1	
40.0	0.20	59.2	29.6	19.8	14.9	11.9	7.9	5.9	
50.0	0.23	66.4	33.2	22.2	16.6	13.3	8.8	6.6	

Pressure (PSI)	Capacity (GPM)	GALLONS PER 1000 SQ. FT. BASED ON WATER - 20" SPACING							
		20.0	0.14	.96	.48	.32	.24	.19	.13
30.0	0.17	1.18	.59	.39	.30	.24	.16	.12	
40.0	0.20	1.36	.68	.45	.34	.27	.18	.14	
50.0	0.23	1.52	.76	.51	.38	.31	.20	.15	

Pressure (PSI)	Capacity (GPM)	GALLONS PER 100 SQ. FT. BASED ON WATER - 20" SPACING							
		20.0	0.14	.096	.048	.032	.024	.019	.012
30.0	0.17	.117	.059	.039	.029	.024	.015	.011	
40.0	0.20	.135	.066	.045	.034	.027	.018	.013	
50.0	0.23	.152	.076	.050	.038	.030	.020	.015	

MPH- Miles Per Hour • FPM- Feet Per Minute • PSI- Pounds Per Square Inch • GPM- Gallons Per Minute

— GENERAL INFORMATION

The purpose of this manual is to assist you in assembling, operating and maintaining your ATV Boom Kit. Please read it carefully as it furnishes information which will help you achieve years of dependable trouble-free operation.

— WARRANTY / PARTS / SERVICE

Products are warranted for two years from date of purchase against manufacturer or workmanship defects.

Your authorized dealer is the best source of replacement parts and service. To obtain prompt, efficient service, always remember to give the following information: 1) Correct part description and part number. 2) Model number and serial number of your sprayer.

Part description and part numbers can be obtained from the illustrated parts list section of this manual.

Whenever you need parts or repair service, contact your distributor / dealer first. For warranty work always take your original sales slip, or other evidence of purchase date, to your distributor / dealer.

Assembly Instructions

Assembly Instructions

1.0--Install ATV Mounts and ATV Helix Levers on bottom of tank using 5/16" x 3/4" screws as illustrated.

1.1--Insert ATV Angle Brackets into ATV Mounts as Illustrated

1.2--Attach Spray Boom Assembly to ATV Angle Brackets using U-Bolts with nuts at desired height.

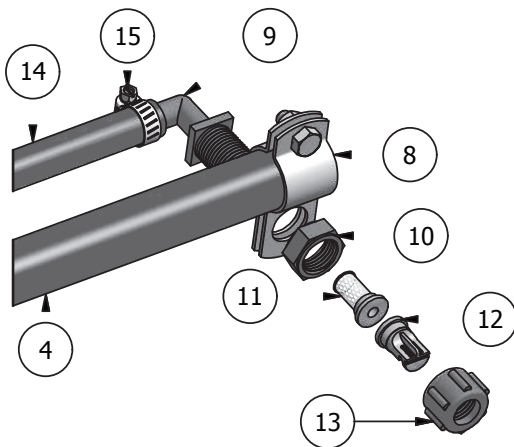
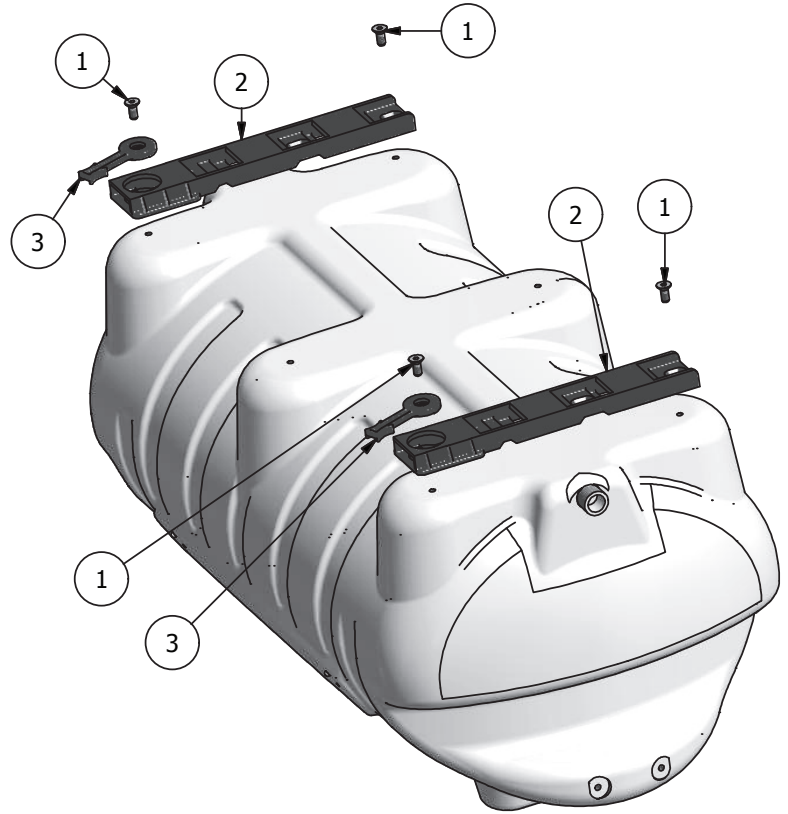
1.3--Install Boom Clamps onto each end of the Spray Boom Assembly and tighten screws. (screws should be on top of the Spray Boom)

1.4--Install Hose Clamps over each end of the Boom Hose assembly as illustrated and press hose ends onto NTL38P Fittings. Then tighten down Hose Clamps to secure the fittings to the Hose Assembly.

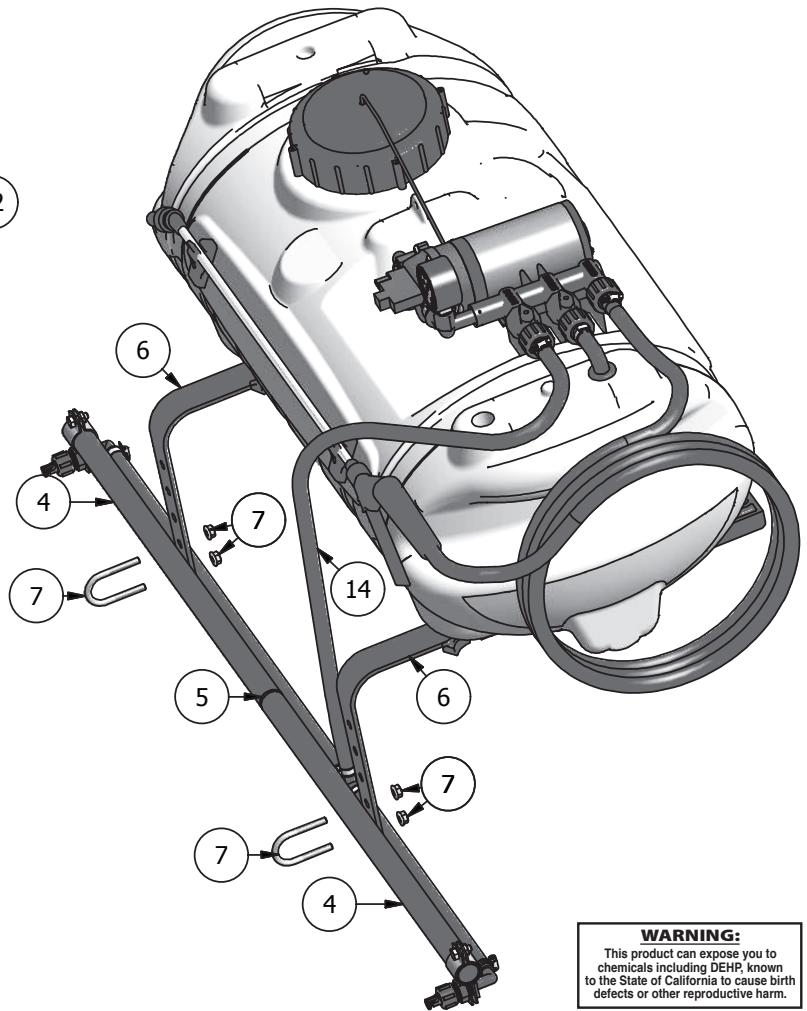
1.5--Insert the NTL38P Fittings through the the holes on the Boom Clamps that were previously installed on the Spray Boom. Secure in place with N1116 P Nuts.

1.6--Insert Check Valves/Strainers into the NTL38P Fittings.

1.7--Insert Spray Tips into 8027 P Nuts and then screw nuts onto fittings. (assure that tips are oriented downward to achieve the correct spray pattern).



PARTS LIST			
ITEM	QTY	PART NUMBER	DESCRIPTION
1	4	600188	5/16" x 3/4" Screws
2	2	600189	ATV Boom Mount
3	2	600190	ATV Helix Lever
4	1	630022	Spray Boom Assembly
5	1	600256	Boom Insert
6	2	600191	ATV Angle Bracket
7	2	600169	φ1/4" U-Bolt w/ Nuts
8	2	600113	B 11-34 R
9	2	600112	NTL38 P Fitting
10	2	600116	N1116 P Nut
11	2	600117	Check Valve / Strainer
12	2	600118	FT Spray Tip
13	2	600119	8027 P Nut
14	1	600115	Boom Hose Assembly
15	2	600120	5/8" Hose Clamp



WARNING:
This product can expose you to chemicals including DEHP, known to the State of California to cause birth defects or other reproductive harm.