



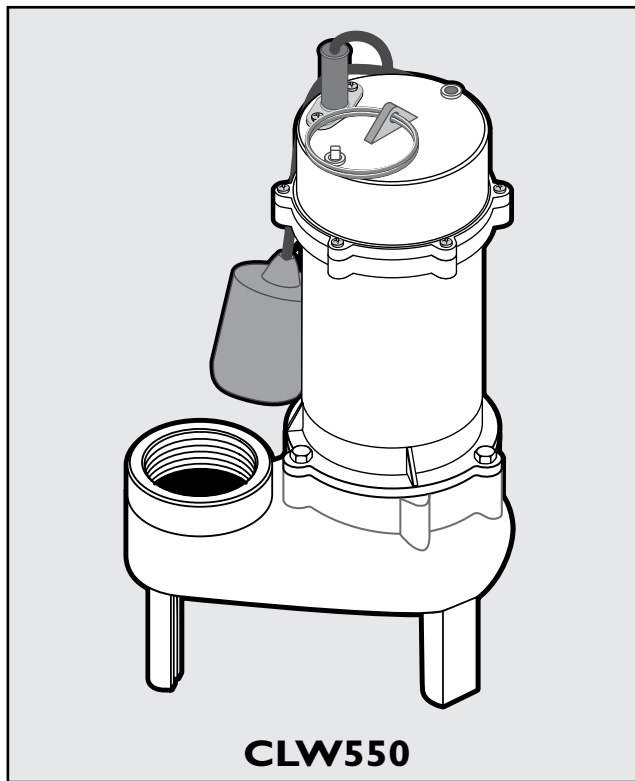
293 Wright Street, Delavan, WI 53115
Phone: 800-535-4950
Fax: 800-526-3757
www.tractorsupply.com

OWNER'S MANUAL

Submersible 2" Solids Handling Pump

MANUAL DEL USUARIO

Bomba sumergible para el manejo de sólidos del 2"



Installation/Operation/Parts

For further operating, installation, or maintenance assistance:

Call 800-535-4950

English. Pages 2-6

Instalación/Operación/Piezas

Para mayor información sobre el funcionamiento, instalación o mantenimiento de la bomba:

Llame al 800-535-4950

Español Páginas 7-11

Important Safety Instructions

SAVE THESE INSTRUCTIONS - This manual contains important instructions that should be followed during installation, operation, and maintenance of the product.

▲ This is the safety alert symbol. When you see this symbol on your pump or in this manual, look for one of the following signal words and be alert to the potential for personal injury!

▲ DANGER indicates a hazard which, if not avoided, will result in death or serious injury.

▲ WARNING indicates a hazard which, if not avoided, could result in death or serious injury.

▲ CAUTION indicates a hazard which, if not avoided, could result in minor or moderate injury.

NOTICE addresses practices not related to personal injury.

Carefully read and follow all safety instructions in this manual and on pump.

Keep safety labels in good condition. Replace missing or damaged safety labels.

California Proposition 65 Warning

▲ WARNING This product and related accessories contain chemicals known to the State of California to cause cancer, birth defects or other reproductive harm.

The manufacturer cannot anticipate every possible circumstance that might involve a hazard. The warnings in this manual, and the tags and decals affixed to the unit are, therefore, not all-inclusive. If you use a procedure or operating technique that the manufacturer does not specifically recommend, you must satisfy yourself that it is safe for you and others. You must also make sure that the procedure or operating technique that you choose does not render the system unsafe.

Electrically powered sewage pumps normally give many years of trouble-free service when correctly installed, maintained, and used. However, unusual circumstances (interruption of power to the pump, large solids in the sump, flooding that exceeds the pump's capacity, electrical or mechanical failure in the pump, etc.) may prevent your pump from functioning normally. To prevent possible damage, consult your dealer about installing a secondary sewage pump or a high water alarm. See *Troubleshooting* in this manual for information about common sewage pump problems and remedies. For more information, see your retailer or call customer service.

▲ WARNING Risk of electric shock. Can shock, burn or kill. During operation the pump is in water. Shock can cause serious injury or death. Failure to follow the warnings below can result in fatal electric shock.

Specifications

H.P.	Voltage	Full Load Amps	Individual Branch Circuit Rqd. (Amps)	Dual Element Time Delay Fuse Amps
1/2	115	7.4	15	15

- Check your local codes before installing. You must comply with their rules. Only qualified personnel should install the pump and associated control equipment.
- Ground the pump according to all applicable codes and ordinances.
- Take care when changing fuses or resetting the circuit breaker. Disconnect power to the pump before servicing. Do not stand in water when working on the control box or with the circuit breaker panel.
- Do not modify cord and plug. When using cord and plug, plug into a grounded outlet only.
- Do not remove cord or strain relief. Do not lift the pump by the power cord or hang the pump by the power cord (See *Cord Lift Warning*).

▲ CAUTION Risk of burns. Motors can operate at high temperatures. To avoid burns when servicing the pump, allow it to cool for 20 minutes after shut-down before handling it.

▲ WARNING Risk of explosion and hazardous gas. Septic system must be vented in accordance with local plumbing codes.

- Do not smoke or use sparkable electrical devices or flame in a septic (gaseous) or possible septic sump.
- If a septic sump condition exists and if entry into sump is necessary, then (1) provide proper safety precautions per OSHA requirements and (2) do not enter sump until these precautions are strictly adhered to.
- Do not install the pump in any location classified as hazardous by National Electrical Code, ANSI/NFPA 70-1984.

Wear safety glasses at all times when working with the pump.

Do not run the pump dry. Dry running can overheat the pump and will void the warranty.

In normal service, motor should not need oiling. Motor has been filled at the factory with a special oil.

The oil-filled motor was not designed for use in water containing fish. Do not use this pump in water with fish present. If any oil leaks out of the motor it can kill fish.

Provide a means of pressure relief for pumps whose discharge line can be shut-off or obstructed.

The pump is frost-resistant to -4°F (-20°C) when stored in dry conditions. It must not be allowed to freeze in water after installation.

This pump is designed for use in residential septic application only.

Performance

GPH (Liters) at discharge ft. of head (m)			
5' (1.5m)	10' (3m)	15' (4.6m)	Max Lift (No Flow)
4800 (18,170)	3200 (12,113)	1800 (6,814)	18' (5.5m)

Retain Original Receipt For Warranty Eligibility

Limited Warranty

This Limited Warranty is effective January 1, 2013 and replaces all undated warranties and warranties dated before January 1, 2013.

CountyLine warrants to the original consumer purchaser ("Purchaser" or "You") that its products are free from defects in material and workmanship for a period of twelve (12) months from the date of the original consumer purchase. If, within twelve (12) months from the original consumer purchase, any such product shall prove to be defective, it shall be repaired or replaced at CountyLine's option, subject to the terms and conditions set forth herein. Note that this limited warranty applies to manufacturing defects only and not to ordinary wear and tear. All mechanical devices need periodic parts and service to perform well. This limited warranty does not cover repair when normal use has exhausted the life of a part or the equipment.

The original purchase receipt and product warranty information label are required to determine warranty eligibility. Eligibility is based on purchase date of original product – not the date of replacement under warranty. The warranty is limited to repair or replacement of original purchased product only, not replacement product (i.e. one warranty replacement allowed per purchase). Purchaser pays all removal, installation, labor, shipping, and incidental charges.

For parts or troubleshooting assistance, DO NOT return product to your retail store. Contact CountyLine Customer Service at 800-535-4950.

Claims made under this warranty shall be made by returning the product (except sewage pumps, see below) to the retail outlet where it was purchased immediately after the discovery of any alleged defect. CountyLine will subsequently take corrective action as promptly as reasonably possible. No requests for service will be accepted if received more than 30 days after the warranty expires. Warranty is not transferable and does not apply to products used in commercial/rental applications.

Sewage Pumps

DO NOT return a sewage pump (that has been installed) to your retail store. Contact CountyLine Customer Service. Sewage pumps that have seen service and been removed carry a contamination hazard with them.

If your sewage pump has failed:

- Wear rubber gloves when handling the pump;
- For warranty purposes, return the pump's cord tag and original receipt of purchase to the retail store;
- Dispose of the pump according to local disposal ordinances.

Exceptions to the Twelve (12) Month Limited Warranty

Product	Warranty Period
CL106, CL108	90 days
CLTS33P, CLSU14	2 Years
4" Submersible Well Pumps	3 Years
CLVS50C, CLW750, Pressure Tanks	5 Years

General Terms and Conditions; Limitation of Remedies

You must pay all labor and shipping charges necessary to replace product covered by this warranty. This warranty does not apply to the following: (1) acts of God; (2) products which, in CountyLine's sole judgement, have been subject to negligence, abuse, accident, misapplication, tampering, or alteration; (3) failures due to improper installation, operation, maintenance or storage; (4) atypical or unapproved application, use or service; (5) failures caused by corrosion, rust or other foreign materials in the system, or operation at pressures in excess of recommended maximums.

This warranty sets forth CountyLine's sole obligation and purchaser's exclusive remedy for defective products.

COUNTYLINE SHALL NOT BE LIABLE FOR ANY CONSEQUENTIAL, INCIDENTAL, OR CONTINGENT DAMAGES WHATSOEVER. THE FOREGOING WARRANTIES ARE EXCLUSIVE AND IN LIEU OF ALL OTHER EXPRESS AND IMPLIED WARRANTIES, INCLUDING BUT NOT LIMITED TO THE IMPLIED WARRANTIES OF MERCHANTABILITY AND FITNESS FOR A PARTICULAR PURPOSE. THE FOREGOING WARRANTIES SHALL NOT EXTEND BEYOND THE DURATION PROVIDED HEREIN.

Some states do not allow the exclusion or limitation of incidental or consequential damages or limitations on how long an implied warranty lasts, so the above limitations or exclusions may not apply to You. This warranty gives You specific legal rights and You may also have other rights which vary from state to state.

CountyLine • 293 Wright Street • Delavan, WI U.S.A. 53115
Phone: 800-535-4950 • Fax: 800-526-3757 • www.tractorsupply.com

Handle with care. Check the items received against the packing list to be sure that all equipment has been received. Inspect the pump for shipping damage. If any is found, contact your retailer immediately.

NOTICE Do not reduce size of discharge pipe or hose below 1-1/2" diameter for effluent applications or 2" for sewage applications. If discharge is too small, pump will overheat and fail prematurely.

NOTICE This unit is not designed as a waterfall or fountain pump, or for applications involving recirculating water, salt water or brine! Use with waterfalls, fountains, salt water or brine will void warranty.

1. Install the pump on a solid, level foundation, or in a sump pit constructed of tile, concrete, steel or plastic. Pump must be level when operating. If motor is tilted, internal start/run switch may overheat and damage motor.
2. The recommended minimum diameter of the sump pit is 14" (36cm) diameter and the minimum recommended depth is 30" (76cm). Check local codes for approved materials.

NOTICE Pump should not be installed on clay, earth or sand surfaces. Clean the area around the pump of small stones and gravel which could clog the pump. Keep the pump inlet screen clear.

3. Thread a 2" discharge pipe into the pump 2" NPT discharge port. Be careful to avoid stripping or crossing threads. Reduce the number of bends in the discharge piping to keep the outlet flow as smooth as possible. Install the pump with a pipe union in the discharge piping to allow removal for servicing. Use PTFE tape on pipe threads. Do not use ordinary pipe joint compound on plastic pipe or pump. Pipe joint compound can attack plastics and damage pump.

Piping – Effluent Applications (3/4" or Less Solids)

Piping must be 1-1/2" minimum to carry volume of pump discharge. Check local codes to determine if a check valve is required in your system. In cold climates, check valves are not used to prevent effluent from freezing in piping.

Piping – Sewage Applications (2" or Less Solids)

In any case, piping must not be smaller than pump discharge.

When installed in a sewage system, pipe must be capable of handling semi-solids of at least 2" (5.1 cm) diameter.

The rate of flow in the discharge pipe must keep any solids present in suspension in the fluid. To meet minimum flow requirements (2 feet (.6 m) per second in discharge line), size pipe as follows:

Pipe Size (In/cm)	Flow Rate (GPM/LPH)
1-1/2 (3.8)	720/2700
2 (5.1)	1260/4740
2-1/2 (6.3)	1800/6780
3 (7.6)	2880/10860

The pump must always be lifted by the lift-out chain or cable and never by the power supply cable. See *Cord Lift Warning*.

4. To reduce motor noise and vibrations, a short length of rubber hose (1-5/8"(41mm) I.D., e.g. radiator hose) can be connected into discharge line near pump using suitable clamps.
5. If the pump discharge line is exposed to outside subfreezing atmosphere, then the portion of line exposed must be installed so any water remaining in pipe will drain to outfall by gravity. Failure to do this can cause water trapped in discharge to freeze which could result in damage to pump.
6. Install a 2" check valve in the horizontal portion of the discharge pipe. Make certain, the flow indicating arrow, points away from the pump. This check valve will keep the water from either running back into the basin or into the area being pumped out when the pump is not running. Check valve should be a free flow valve that will easily pass solids.

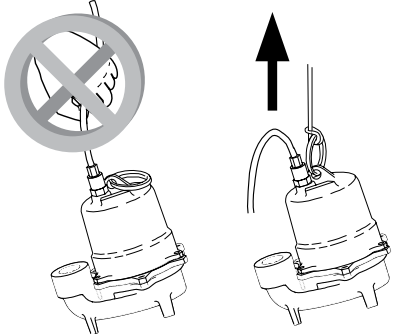
Cord Lift Warning

▲ WARNING

▲ WARNING

Hazardous voltage

Risk of electrical shock.
Can burn or kill.
Do not lift pump by power cord.



The diagram shows two illustrations of the pump. The left illustration shows a hand attempting to lift the pump by the power cord, which is crossed out with a large 'X' in a circle, indicating this is an unsafe practice. The right illustration shows a hand lifting the pump by the top handle, with an upward-pointing arrow above it, indicating this is the correct and safe method.

Risk of electrical shock and fire.

1. Attempting to lift or support the pump by the power cord can damage cord and cord connections, expose bare wires, and cause a fire or electrical shock.
2. Use handle on top of pump for all lifting or lowering of pump. Disconnect the power to the pump before doing any work on it or attempting to remove it from the pit.
3. Lifting or supporting the pump by the power cord will void the warranty.

NOTICE For best performance of check valve when handling solids, do not install it with discharge angled more than 45° above the horizontal. Do not install check valve in a vertical position as solids may settle in valve and prevent opening on startup.

7. Drill a 3/16" (4.7mm) hole in discharge pipe about 1"-2" (2.5 - 5.1cm) above pump discharge connection (but below check valve) to prevent the pump from airlocking.
8. Insert the float switch piggy-back plug into a properly grounded outlet and the pump plug into the piggy-back plug.
9. Check the installation by observing the pump operation through one complete cycle. Make sure that no parts of the assembly interfere with the float switch.

▲ CAUTION Risk of flooding. Can cause personal injury and/or property damage. Failure to make this operational check may lead to improper operation, premature failure, and flooding.

Electrical

▲ WARNING Risk of electric shock. Can shock, burn or kill. When installing, operating, or servicing this pump, follow safety instructions listed below.

1. DO NOT splice the electrical power cord.
2. DO NOT allow electrical cord plug to be submerged.
3. DO NOT use extension cords. They are a fire hazard and can reduce voltage sufficiently to prevent pumping and/or damage motor.
4. DO NOT handle or service pump while it is connected to power supply.
5. DO NOT remove grounding prong from plug or modify plug. To protect against electrical shock, the power cord is a three-wire conductor and includes a 3-prong grounded plug. Plug pump into a 3-wire, grounded, grounding-type receptacle. Connect pump according to electrical codes that apply.

For automatic operation, plug pump into an automatic float switch or pump controller. Pump will run continuously when plugged directly into an electrical outlet. Connect pump to its own individual branch circuit with no other outlets or equipment in the circuit. Size fuses or circuit breakers according to *Specifications* chart.

▲ WARNING Risk of electric shock. Can shock, burn or kill. Be sure that power supply information (Voltage/Hertz/Phase) on pump motor nameplate matches incoming power supply exactly. Install pump according to all electrical codes that apply.

Operation

NOTICE Do not allow pump to run in a dry sump. It will void the warranty and may damage the pump.

An automatic overload protector in the motor will protect motor from burning out due to overheating/overloading. When motor cools down, overload protector will automatically reset and start motor.

If overload trips frequently, check for cause. It could be a stuck impeller, wrong/low voltage, or electrical failure in motor. If an electrical failure in the motor is suspected, have it serviced by a competent repairman.

Pump is permanently lubricated. No oiling or greasing is required.

Service

▲ WARNING Risk of electric shock. Can shock, burn or kill. Before removing pump from basin for service, always disconnect electrical power to pump and control switch.

▲ WARNING Risk of electric shock. Can shock, burn or kill. Do not lift pump by power cord. See *Cord Lift Warning*.

Submerge pump in a disinfectant solution (dilute chlorine bleach) for at least one hour before disassembling pump.

The pump motor contains a special lubricating oil which should be kept clean and free of water at all times.

Check operation by filling sump with water and observing pump operation through one complete cycle.

▲ CAUTION Risk of flooding. Can cause personal injury and/or property damage. Failure to make this operational check may lead to flooding and premature failure.

NOTICE This unit is not designed for applications involving salt water or brine! Use with salt water or brine will void warranty.

⚠ WARNING Risk of electrical shock, cuts, and possible unexpected starts. Can result in electrical shock or pinching of hands or tools. If power to pump is on when thermal overload resets, pump may start without warning. Disconnect power before servicing pump.

A. Pump fails to operate:	1. Check to be sure that power cord is securely plugged into outlet. Disconnect power to outlet before handling pump or motor.
	2. Check to be sure you have electrical power. Check for blown fuse or tripped breaker.
	3. Check that liquid fluid level is high enough to activate switch or controller.
	4. Check to be sure that 3/16" (4.7 mm) vent hole in discharge pipe is not plugged.
	5. Check for blockage in pump inlet, impeller, check valve or discharge pipe.
	6. Thermal overload may have tripped. Test start pump; if it starts and then stops immediately, disconnect from power source for 30 minutes to allow motor to cool, then reconnect to power source. Check for cause of overheating/overloading.
	7. Check the float switch operation for maximum possible clearance.
B. Pump fails to empty sump:	1. Be sure all valves in discharge valve are fully open.
	2. Clean out discharge pipe and check valve.
	3. Check for blockage in pump inlet or impeller.
	4. Pump not sized properly. A higher capacity pump may be required.
	5. Check the float switch operation for maximum possible clearance.
C. Pump will not shut off:	1. Check switch or controller automatic floats for proper operation, location and clearance. See installation instructions for switch/controller.
	2. If pump is completely inoperative or continues to malfunction, consult your local serviceman.

Repair Parts

Only the float switch, part number FP18-15BD, is servicable

Instrucciones importantes de seguridad

Guarde estas instrucciones - Este manual contiene instrucciones importantes que se deben seguir durante la instalación y el mantenimiento del bombas de sumidero.

⚠ Este es un símbolo de alerta sobre la seguridad. Cuando vea este símbolo en su bomba o en este manual, busque para ver si hay alguna de las siguientes palabras de señal y esté alerta a la posibilidad de lesiones personales.

⚠ PELIGRO indica un riesgo que, de no evitarse, *provocará* la muerte o lesiones de gravedad.

⚠ ADVERTENCIA indica un riesgo que, de no evitarse, *podría provocar* la muerte o lesiones de gravedad.

⚠ PRECAUCIÓN indica un riesgo que, de no evitarse, *podría provocar* lesiones leves o moderadas.

AVISO hace referencia a una práctica no relacionada con una lesión física.

Lea y siga cuidadosamente todas las instrucciones de seguridad en este manual y en la bomba.

Mantenga las etiquetas de seguridad en buenas condiciones. Reemplace las etiquetas de seguridad faltantes o dañadas.

Advertencia de la Proposición 65 de California

⚠ ADVERTENCIA Este producto y accesorios relacionados contienen sustancias químicas reconocidas en el Estado de California como causantes de cáncer, malformaciones congénitas y otros daños al sistema reproductivo.

Mantenga las etiquetas de seguridad en buenas condiciones. Reemplace las etiquetas de seguridad faltantes o dañadas.

El fabricante no puede anticipar cada posible circunstancia que pudiera involucrar un peligro. Por lo tanto, las advertencias en este manual y las etiquetas y calcomanías adosadas a la unidad no incluyen todas las posibilidades. Si usted usa un procedimiento o una técnica de operación que no está específicamente recomendada por el fabricante, es importante que verifique si es segura tanto para usted como para otras personas. También se debe asegurar de que el procedimiento o la técnica de operación que usted escoja no hagan que el sistema resulte peligroso.

Las bombas cloacales eléctricas generalmente ofrecen muchos años de servicio sin problemas cuando se han instalado, mantenido y utilizado correctamente. Sin embargo, circunstancias inusuales (interrupción de alimentación eléctrica a la bomba, partículas sólidas grandes en el sumidero, inundaciones que sobrepasan la capacidad de la bomba, fallas eléctricas o mecánicas en la bomba, etc.) pueden impedir que su bomba funcione normalmente. Para evitar posibles daños, consulte con su concesionario sobre la posibilidad de instalar una segunda bomba cloacal o una alarma de alto nivel de agua. Consulte la sección de *Localización de fallas* en este manual para obtener información sobre los problemas comunes de las bombas cloacales y sus soluciones. Para mayor información, consulte con su concesionario o llame al departamento de atención al cliente

⚠ ADVERTENCIA **Riesgo de choque eléctrico.** Puede provocar choque, quemadura o muerte. Durante el funcionamiento la bomba está sumergida en agua. El hacer caso omiso de las advertencias indicadas a continuación, puede resultar en un choque eléctrico fatal.

- Verifique sus códigos de normas locales antes de realizar la instalación. Usted debe cumplir con sus reglas. Sólo un personal calificado deberá instalar la bomba y el equipo de control correspondiente.
- Conecte la bomba a tierra conforme a todos los códigos y ordenanzas correspondientes.
- Tenga cuidado cuando cambie fusibles o reposicione el disyuntor. Desconecte la alimentación eléctrica a la bomba antes de realizar trabajos de mantenimiento o reparación. No se pare en el agua cuando esté trabajando en la caja de control o con el tablero de disyuntores.
- No modifique el cable y el enchufe. Si usa cable con enchufe utilice sólo una toma con conexión a masa. Si conecta a un sistema de control, ponga a tierra el cable conector de tierra de la bomba.
- No retire el cordón ni el reductor de tensión. No levante la bomba por el cordón eléctrico (consulte la “*Advertencia sobre levantar por el cordón*”).

⚠ PRECAUCIÓN **Riesgos de quemaduras.** Los motores pueden operar a altas temperaturas. Para evitar quemaduras cuando se realicen trabajos de mantenimiento o reparación en la bomba, permita que se enfríen durante 20 minutos después de apagarla y antes de manipularla.

⚠ ADVERTENCIA **Riesgo de explosión y gas peligroso.** Los tanques sépticos se deben ventilar conforme a los códigos de normas de plomería locales.

- No fume ni use dispositivos eléctricos que produzcan chispas ni llamas en un sumidero séptico (gaseoso) o posiblemente séptico.
- Si existe una situación de sumidero séptico y si es necesario entrar en el sumidero, entonces (1) proporcione las precauciones de seguridad adecuadas conforme a los requerimientos de OSHA y (2) no entre en el sumidero hasta que se hayan cumplido rigurosamente todas estas precauciones.
- No instale la bomba en ningún lugar que haya sido clasificado como peligroso por el código National Electrical Code (Código Nacional de Normas de Electricidad), ANSI/NFPA 70-1984.

Use gafas de seguridad en todo momento cuando trabaje con la bomba.

No permita que la bomba marche en seco. La marcha en seco puede sobrecalentar la bomba e invalidará la garantía.

En servicio normal, no es necesario aceitar el motor. El motor ha sido lubricado en fábrica con aceite especial. Al hacer una reparación, reemplace este aceite por aceite nuevo.

El motor en aceite no ha sido diseñado para usos en agua que contenga peces. No use esta bomba en agua con peces. Si hay una fuga de aceite del motor puede matar a los peces.

Proporcione un medio para descargar la presión de las bombas cuya línea de descarga pueda estar cerrada u obstruida.

La bomba es resistente al congelamiento hasta -4°F (-20°C) cuando se guarda en condiciones secas. No se debe permitir que se congele en el agua después de su instalación.

Esta bomba está diseñada para fines sépticos residenciales solamente.

Especificaciones

HP	Voltaje	Max. Carga	Requiere un ramal individual (amp)	Amperios con fusibles de dos telementos y retardo de tiempo
1/2	115	7.4	15	15

Rendimiento

Litros Por Hora (GPH) Por Total de M (pies)			
1,5 (5)	3 (10)	4,6 (15)	Altura máx. (sin flujo)
18 170 (4 800)	12 113 (3 200)	6 814 (1 800)	5,5 m (18')

Retener el recibo original a fin de determinar la elegibilidad para la garantía

Garantía limitada

Esta Garantía Limitada entra en vigor el 1 de enero 2013 y sustituye toda garantía sin fecha o garantía con fecha anterior al 1 de enero de 2013.

CountyLine le garantiza al comprador consumidor original (el "Comprador" o "Usted") de sus productos, que éstos estarán libres de defectos en materiales y en mano de obra por un período de doce (12) meses, a partir de la fecha de la compra original del consumidor. Si dentro de los doce (12) meses a partir de la fecha de la compra inicial del consumidor, se comprobara que cualquiera de esos productos es defectuoso, sera reparado o reemplazado a opción de CountyLine, sujeto a los términos y condiciones establecidos en la presente. Tome nota de que esta garantía limitada cubre defectos de manufactura solamente y no el desgaste común. Todos los aparatos mecánicos periódicamente necesitan repuestos y servicio para un funcionamiento correcto. Esta garantía limitada no cubre las reparaciones que se realicen cuando el uso normal haya agotado la vida útil de una pieza o del aparato.

Es necesario retener el recibo de compra original y la etiqueta de información de la garantía a fin de determinar la elegibilidad para la garantía. La elegibilidad se basa en la fecha de compra del producto original - no en la fecha del reemplazo bajo la garantía. La garantía es limitada y cubre solamente la reparación o el reemplazo del producto original adquirido, no del producto reemplazado (es decir que se permite un reemplazo por compra bajo la garantía). El comprador pagará todos los costos de remoción, instalación, mano de obra y envío necesarios, así como todo costo adicional asociado.

Si necesita piezas o ayuda para la resolución de problemas, NO devuelva el producto a la tienda minorista. Llame al Departamento de Atención al Cliente de CountyLine al 800-535-4950.

Las reclamaciones hechas bajo esta garantía se realizarán mediante la devolución del producto (a excepción de las bombas cloacales - ver a continuación) al concesionario de venta al público en donde se haya adquirido inmediatamente después de haber descubierto cualquier presunto defecto. CountyLine entonces tomará la medida correctiva tan pronto como sea razonablemente posible. No se aceptarán solicitudes de servicio, si se reciben más de 30 días después del vencimiento de esta garantía.

La garantía no es transferible y no cubre productos utilizados en aplicaciones comerciales o de alquiler.

Bombas cloacales

NO devuelva una bomba cloacal (que se haya instalado) a su tienda minorista. Comuníquese con el Departamento de Atención al Cliente de CountyLine. Las bombas cloacales que hayan estado en servicio y se hayan removido pueden representar un peligro de contaminación.

Si su bomba cloacal ha fallado:

- Use guantes de caucho cuando manipule la bomba;
- Para los fines de la garantía, devuelva la etiqueta del cordón de la bomba y el recibo de compra original a la tienda minorista;
- Descarte la bomba cumpliendo con todas las normas locales que correspondan para su eliminación.

Excepciones para la garantía limitada de doce (12) meses

Producto	Período de garantía
CL106, CL108	90 días
CLTS33P, CLSU14	2 años
Bombas de pozo sumergibles de 4"	3 años
Tanque Tanques de presión CLVS50C, CLW750	5 años

Términos y condiciones generales; Limitación de recursos

Usted deberá pagar por todos los gastos de mano de obra y de envío necesarios para reemplazar el producto cubierto por esta garantía. Esta garantía no se aplicará en las siguientes situaciones: (1) caso de fuerza mayor (2) productos que, a sólo juicio de CountyLine hayan sido sometidos a negligencia, abuso, accidente, mala aplicación, manejo indebido o alteraciones; (3) fallas debido a instalación, operación, mantenimiento o almacenamiento inadecuados; (4) aplicaciones, usos o servicios que no sean normales o aprobados; (5) fallas provocadas por corrosión, herrumbre u otros materiales extraños en el sistema, o una operación a presiones que excedan los máximos recomendados.

Esta garantía establece la única obligación de CountyLine y el recurso exclusivo del Comprador con respecto a los productos defectuosos.

COUNTYLINE NO SE HARÁ RESPONSABLE DE NINGÚN DAÑO CONSECUENTE, INCIDENTAL O CONTINGENTE.

LAS GARANTÍAS LIMITADAS QUE ANTECEDEN SON EXCLUSIVAS Y EN LUGAR DE TODA OTRA GARANTÍA EXPLÍCITA E IMPLÍCITA, INCLUYENDO, PERO SIN LIMITARSE A LAS GARANTÍAS IMPLÍCITAS DE COMERCIABILIDAD E IDONEIDAD PARA UN FIN ESPECÍFICO. LAS GARANTÍAS LIMITADAS QUE ANTECEDEN NO SE EXTENDERÁN MÁS ALLÁ DEL PERÍODO DE DURACIÓN INDICADO EN LA PRESENTE.

Algunos Estados no permiten la exclusión o limitación de daños incidentales o consecuentes o de limitaciones de tiempo sobre garantías implícitas, de modo que es posible que las limitaciones o exclusiones que preceden no correspondan en su caso. Esta garantía le otorga derechos legales específicos y es posible que Usted también tenga otros derechos que pueden variar de un Estado al otro.

CountyLine • 293 Wright Street • Delavan, WI U.S.A. 53115
Teléfono: 800-535-4950 • Fax: 800-526-3757 • www.tractorsupply.com

Manipule con cuidado. Compare los artículos recibidos con la lista de embalaje para verificar que se haya recibido todo el equipo. Inspeccione la bomba para verificar que no se haya dañado durante el envío. Si encuentra algún daño, contacte con su distribuidor inmediatamente.

AVISO No reducir el tamaño de la tubería o manguera de descarga a un diámetro menor de 1-1/2" (3.81 cm) para usos con efluente o de 2" (5.08 cm) para usos con aguas residuales. Si la descarga es demasiado pequeña, la bomba se recalientará y fallará prematuramente.

AVISO Este aparato no está diseñado como bomba de cascada o fuente, ni para aplicaciones con agua salada o de mar. El uso con cascadas, fuentes, agua salada o de mar anulará la garantía.

1. Instale la bomba sobre una base sólida y nivelada, o en un pozo de recogida construido de baldosas, hormigón, acero o plástico. La bomba debe estar nivelada cuando esté funcionando. Si el motor está inclinado, es posible que el interruptor interno de inicio/marcha se recaliente y perjudique el motor.
2. El diámetro mínimo recomendado del pozo de recogida es de 14 pulgadas (36 cm) y la profundidad mínima recomendada es de 30 pulgadas (76 cm). Verifique los códigos locales para obtener información sobre los materiales aprobados.
AVISO: No instale la bomba sobre superficies de arcilla, tierra o arena. Limpie el área alrededor de la bomba para eliminar las piedras pequeñas y la gravilla que puedan obturar la bomba. Mantenga la malla de admisión de la bomba despejada y limpia.
3. Enrosque un tubo de descarga de 2" en el orificio de descarga de la bomba de 2" NPT. Tenga cuidado de no estropear ni cruzar las roscas. Use cinta de PTFE en las conexiones de la tubería. No use compuestos comunes para unir tubos en tuberías de plástico o en la bomba. El compuesto para unir tubos puede atacar el plástico y dañar la bomba.

Tubería – Usos con efluente (partículas sólidas de 3/4" o menores)

La tubería debe ser de 1-1/2" como mínimo para acarrear el volumen de descarga de la bomba. Verifique los códigos locales para determinar si es necesario instalar una válvula de retención en su sistema. En climas fríos, no se usan válvulas de retención para evitar que el efluente se congele en la tubería.

Tubería – Usos con aguas residuales (partículas sólidas de 2" o menores)

En todos los casos, la tubería no debe ser menor que la descarga de la bomba.

Cuando se instale en un sistema de aguas residuales, la tubería deberá ser capaz de acarrear partículas semi-sólidas de 2" (5.1 cm) de diámetro como mínimo.

El caudal en la tubería de descarga debe mantener todas las partículas sólidas presentes en suspensión en el líquido. Para satisfacer los requerimientos mínimos de flujo (2 pies (0.6 m) por segundo en la línea de descarga), el tamaño de la tubería debe ser el siguiente:

Diámetro de tubo (pi/cm)	Caudal (GPM/LPM)
1-1/2 (3.8)	720/2700
2 (5.1)	1260/4740
2-1/2 (6.3)	1800/6780
3 (7.6)	2880/10860

No levante la bomba por medio del cordón eléctrico. No cuelgue la bomba del tubo de descarga ni del cordón eléctrico. Consulte la *Advertencia sobre levantar por medio del cordón*.

4. Para reducir el ruido y las vibraciones del motor, se puede conectar una manguera de caucho corta (1'-5/8" (41 mm) de diámetro interior, por ej. una manguera de radiador) en la línea de descarga cerca de la bomba, usando abrazaderas adecuadas.
5. Si la línea de descarga de la bomba está expuesta a temperaturas externas debajo del punto de congelación, la porción de la línea que esté expuesta deberá ser instalada de manera que el agua que pueda permanecer en la tubería, drene hacia la salida por gravedad. Si se ignora esta recomendación, el agua que quede atrapada en la descarga se podrá congelar y provocar daños a la bomba.
6. Instale una válvula de retención de 2" en la porción horizontal de la tubería de descarga. Verifique que la flecha que indica la dirección del flujo apunte en dirección opuesta a la bomba. Esta válvula de retención impedirá que el agua regrese hacia la pileta o hacia el área que se esté bombeando cuando la bomba no esté en marcha. La válvula de retención debe ser una válvula de flujo libre que pueda pasar partículas sólidas con facilidad.

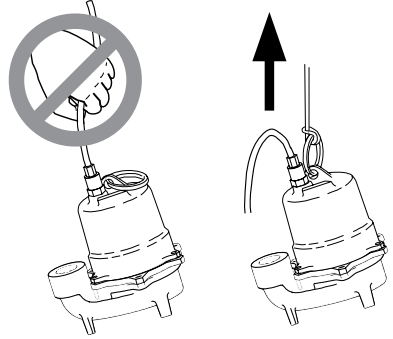
Advertencia sobre levantar por el cordón

⚠ ADVERTENCIA

⚠ WARNING

Hazardous voltage

Peligro de choque eléctrico. Puede quemar o matar. No levantar la bomba por el cordón eléctrico.



Peligro de choque eléctrico e incendio

1. Si se trata de levantar o de sostener la bomba por el cordón eléctrico, se puede dañar el cordón y la conexión del cordón, dejar expuestos los hilos desnudos y provocar un incendio o un choque eléctrico.
2. Utilice la manija en la parte superior de la bomba para izarla o bajarla. Desconecte la corriente eléctrica a la bomba antes de realizar trabajos en la misma o de tratar de sacarla del foso.
3. Si la bomba se levanta o se sostiene por el cordón eléctrico, se invalidará la garantía.

AVISO Para obtener el mejor rendimiento de la válvula de retención cuando se trate de partículas sólidas, no la instale con la descarga a un ángulo mayor de 45° sobre la línea horizontal. No instale la válvula de retención en posición vertical ya que las partículas sólidas podrán asentarse en la válvula y evitar que se abra cuando la bomba se encienda.

7. Perfore un orificio de 3/16" (4.7 mm) en la tubería de descarga, entre 1" y 2" (2.5 – 5.1 cm) por encima de la conexión de descarga de la bomba (pero por debajo de la válvula de retención) para evitar la creación de bolsas de aire en la bomba.
8. Introduzca el enchufe superpuesto del interruptor de flotador en un tomacorriente debidamente puesto a tierra y el enchufe de la bomba en el enchufe superpuesto.
9. Verifique la instalación observando el funcionamiento de la bomba a través de un ciclo completo. Asegúrese de que ninguna pieza de la unidad interfiera con el interruptor de flotador.

▲ PRECAUCIÓN **Riesgo de inundación.** Puede provocar lesiones personales y/o daños materiales. Si se ignora esta recomendación de verificar el funcionamiento, existe el riesgo de un funcionamiento incorrecto, fallas prematuras e inundación.

Instalación eléctrica

▲ ADVERTENCIA **Riesgo de choque eléctrico.** Puede provocar choque, quemadura o muerte. Al instalar, operar o prestar servicios a esta bomba, respete las instrucciones de seguridad enumeradas a continuación:

1. NO utilice cable con empalmes para la alimentación eléctrica.
2. NO permita que el enchufe del cordón eléctrico quede sumergido.
3. NO use cables de prolongación. Presentan riesgo de incendio y pueden reducir el voltaje lo suficiente como para impedir el bombeo, dañar el motor o ambas cosas.
4. NO manipule o preste servicios a la bomba mientras esté conectada a la corriente eléctrica.
5. NO saque la clavija (ficha) de puesta a tierra ni modifique el enchufe. Para protección contra la descarga eléctrica el cable de alimentación está constituido por un conductor de tres alambres y termina en un enchufe de tres pernos con puesta a tierra. Enchufe la bomba en un receptáculo de toma de tres alambres del tipo de puesta a tierra, con la tierra conectada. Conecte la bomba respetando los códigos de electricidad que corresponda.

Para el funcionamiento automático, conecte la bomba a un interruptor automático de flotante o a un controlador la bomba. Si la bomba se conecta directamente a una toma eléctrica, funcionará en forma continua. La bomba debe conectarse a su propio un ramal individual y no deben colocarse otras tomas o equipo en ese circuito. Los fusibles o disyuntores de circuito deben tener la capacidad que se indica en el cuadro de *Especificaciones*.

▲ ADVERTENCIA **Riesgo de choque eléctrico.** Puede provocar choque, quemadura o muerte. Asegúrese de que la información sobre la corriente eléctrica (voltaje, frecuencia y número de fases) inscrita en la chapa del motor de la bomba corresponde exactamente a la de la corriente eléctrica utilizada. Instale la bomba en conformidad con todos los códigos de electricidad que corresponda.

Operación

AVISO No permita que la bomba funcione en un sumidero seco. Si lo hace, invalidará la garantía y podrá dañar la bomba.

El uso de un protector automático de sobrecarga en el motor lo protegerá contra el sobrecalentamiento o la sobrecarga e impedirá que éste se queme. Cuando el motor se enfría el protector de sobrecarga se reconecta automáticamente y permite el arranque del motor.

Si el protector de sobrecarga funciona con excesiva frecuencia, investigue los motivos. La sobrecarga podría deberse a un rodete trabado, al uso de voltaje erróneo o reducido o a una falla eléctrica en el motor. Si se sospecha que el motor tiene una falla eléctrica, hágalo revisar por personal de servicio competente.

La bomba está lubricada permanentemente y no requiere ser aceiteada o engrasada.

Servicio

▲ ADVERTENCIA **Riesgo de choque eléctrico.** Puede provocar choque, quemadura o muerte. Antes de retirar la bomba del sumidero para prestarle servicio, desconecte la corriente eléctrica a la bomba y al interruptor de control.

▲ ADVERTENCIA **Riesgo de choque eléctrico.** Puede provocar choque, quemadura o muerte. No levante la bomba por el cordón. Ver *Advertencia de no levantar la bomba por el cordón* debajo.

Sumerja la bomba en una solución desinfectante de agua clorada por lo menos durante una hora antes de desarmar la bomba. El motor de la bomba contiene un aceite lubricante especial que debe mantenerse limpio y libre de agua.

Verifique el funcionamiento llenando el sumidero con agua y observando el funcionamiento de la bomba a través de un ciclo completo.

▲ PRECAUCIÓN **Riesgo de inundación.** Puede provocar lesiones personales y/o daños materiales. Si se ignora esta verificación de funcionamiento, existe el riesgo de inundación o fallas prematuras.

AVISO ¡Esta unidad no ha sido diseñada para aplicaciones con agua salada o salmuera! El uso con agua salada o salmuera anulará la garantía.

⚠ ADVERTENCIA **Riesgo de choque eléctrico, cuchilla peligrosa y posibles arranques inesperados.** Puede provocar choque eléctrico o apretar las manos o las herramientas. Si la corriente a la bomba está conectada cuando se repone el protector térmico de sobrecarga, la bomba podrá arrancar inesperadamente. Desconecte la corriente antes de prestar servicio a la bomba.

A. La bomba no funciona.	1. Verifique que el cable de alimentación esté enchufado correctamente en el receptáculo. Antes de manipular la bomba o el motor, desconecte la energía eléctrica.
	2. Asegúrese de que haya corriente eléctrica.
	3. Verifique que el nivel de líquido sea lo suficientemente elevado para activar el interruptor o el control.
	4. Verifique que el agujero de 3/16 pulgadas (4,17 mm) en el caño de descarga no esté tapado.
	5. Verifique que la entrada de la bomba, el rodete, la válvula de retención o el caño de descarga no estén bloqueados.
	6. Es posible que el protector térmico de sobrecarga haya accionado. Haga arrancar la bomba; si arranca y se detiene de inmediato desconecte la bomba de la corriente eléctrica por 30 minutos para permitir que el motor se enfríe; luego vuelva a conectarla a la corriente eléctrica. Investigue la causa del sobrecalentamiento o sobrecarga.
	7. Verifique el funcionamiento del interruptor de flotador para asegurarse de que haya el máximo de juego posible.
B. La bomba no vacía el sumidero.	1. Asegúrese de que todas las válvulas en la tubería de descarga estén totalmente abiertas.
	2. Limpie el caño de descarga y verifique la válvula.
	3. Verifique que la entrada de la bomba o el rodete no estén bloqueados.
	4. Quizás la bomba no tenga el tamaño correcto y es posible que se requiera una bomba de mayor capacidad.
	5. Verifique el funcionamiento del interruptor de flotador para asegurarse de que haya el máximo de juego posible.
C. La bomba no se apaga.	1. Verifique el funcionamiento, la ubicación y el juego adecuado de los flotadores automáticos del interruptor o del controlador. Consulte las instrucciones de instalación del interruptor o control automático.
	2. Si la bomba no funciona en absoluto o continúa funcionando con fallas, consulte al personal de servicio de su localidad.

Piezas de repuesto

Sólo el interruptor de flotador, repuesto número FP18-15BD, se puede reparar.

