



293 Wright Street, Delavan, WI 53115

Phone: 800-535-4950

Fax: 800-526-3757

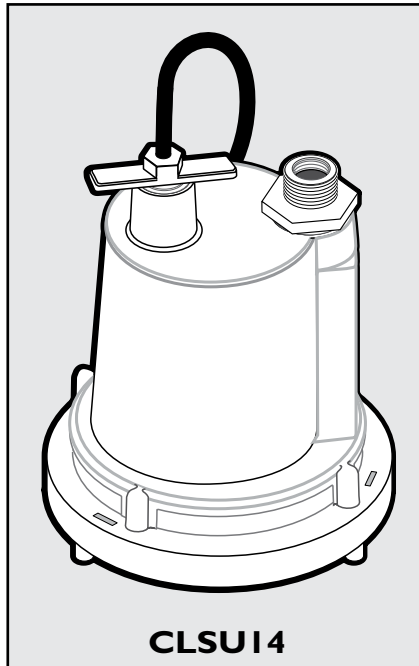
www.tractorsupply.com

OWNER'S MANUAL

Submersible Utility Pump

MANUAL DEL USUARIO

Bomba sumergible de uso general



Installation/Operation/Parts

For further operating, installation, or maintenance assistance:

Call 800-535-4950

English. Pages 2-7

Instalación/Operación/Piezas

Para mayor información sobre el funcionamiento, instalación o mantenimiento de la bomba:

Llame al 800-535-4950

Español Páginas 8-13

Important Safety Instructions

SAVE THESE INSTRUCTIONS - This manual contains important instructions that should be followed during installation, operation, and maintenance of the product. **▲** This is the safety alert symbol. When you see this symbol on your pump or in this manual, look for one of the following signal words and be alert to the potential for personal injury!

▲ DANGER indicates a hazard which, if not avoided, *will* result in death or serious injury.

▲ WARNING indicates a hazard which, if not avoided, *could* result in death or serious injury.

▲ CAUTION indicates a hazard which, if not avoided, *could* result in minor or moderate injury.

NOTICE addresses practices not related to personal injury.

Carefully read and follow all safety instructions in this manual and on pump.

Keep safety labels in good condition. Replace missing or damaged safety labels.

California Proposition 65 Warning

▲ WARNING This product and related accessories contain chemicals known to the State of California to cause cancer, birth defects or other reproductive harm.

Specifications

Power supply required..... 115V, 60 HZ.
Liquid Temp. Range..... Less Than 120°F (50°C)
Individual Branch Circuit Required (min.)15 Amps
Motor Full Load: (1/4 HP).....5.6 Amps
Discharge 1-1/4" FNPT
Adapter 3/4" Garden Hose
Pump water only with this pump.

Do not use where water recirculates.
Not designed for use as a swimming pool drainer.

Performance

GPH (LPH) at Total feet (m) of lift				
5' (1.5m)	10' (3m)	15' (4.6m)	20' (6.1m)	25' (6.1m)
1170 (4 429)	1020 (3 861)	810 (3 066)	510 (1 930))	0 (0)

▲ WARNING Risk of explosion. Do not ground to a gas supply line. Do not use in explosive atmospheres.

NOTICE This unit is not designed as a waterfall or fountain pump, or for applications involving salt water or brine! Use with waterfalls, fountains, salt water or brine will void warranty.

1. Know the pump application, limitations, and potential hazards.
2. Do not use in water with fish present. If any oil leaks out of the motor it can kill fish.
3. Disconnect power before servicing.
4. Release all pressure within system before servicing any component.
5. Drain all water from system before servicing.
6. Secure discharge line before starting pump. An unsecured discharge line will whip, possibly causing personal injury and/or property damage.
7. Check hoses for weak or worn condition before each use, making certain that all connections are secure.
8. Periodically inspect the pump and the system components. Keep free of debris and foreign objects. Perform routine maintenance as required.
9. Do not run pumps whose discharge line can be shut-off or obstructed.
10. Personal Safety:
 - a. Wear safety glasses at all times when working with pumps.
 - b. Keep work area clean, uncluttered and properly lighted – replace all unused tools and equipment.
 - c. Keep visitors at a safe distance from work area.
 - d. Make workshop child-proof – with padlocks, master switches, and by removing starter keys.
11. When wiring an electrically driven pump, follow all electrical and safety codes that apply.

Retain Original Receipt For Warranty Eligibility

Limited Warranty

This Limited Warranty is effective January 1, 2013 and replaces all undated warranties and warranties dated before January 1, 2013.

CountyLine warrants to the original consumer purchaser ("Purchaser" or "You") that its products are free from defects in material and workmanship for a period of twelve (12) months from the date of the original consumer purchase. If, within twelve (12) months from the original consumer purchase, any such product shall prove to be defective, it shall be repaired or replaced at CountyLine's option, subject to the terms and conditions set forth herein. Note that this limited warranty applies to manufacturing defects only and not to ordinary wear and tear. All mechanical devices need periodic parts and service to perform well. This limited warranty does not cover repair when normal use has exhausted the life of a part or the equipment. The original purchase receipt and product warranty information label are required to determine warranty eligibility. Eligibility is based on purchase date of original product - not the date of replacement under warranty. The warranty is limited to repair or replacement of original purchased product only, not replacement product (i.e. one warranty replacement allowed per purchase). Purchaser pays all removal, installation, labor, shipping, and incidental charges.

For parts or troubleshooting assistance, DO NOT return product to your retail store. Contact CountyLine Customer Service at 800-535-4950.

Claims made under this warranty shall be made by returning the product (except sewage pumps, see below) to the retail outlet where it was purchased immediately after the discovery of any alleged defect. CountyLine will subsequently take corrective action as promptly as reasonably possible. No requests for service will be accepted if received more than 30 days after the warranty expires. Warranty is not transferable and does not apply to products used in commercial/rental applications.

Sewage Pumps

DO NOT return a sewage pump (that has been installed) to your retail store. Contact CountyLine Customer Service. Sewage pumps that have seen service and been removed carry a contamination hazard with them.

If your sewage pump has failed:

- Wear rubber gloves when handling the pump;
- For warranty purposes, return the pump's cord tag and original receipt of purchase to the retail store;
- Dispose of the pump according to local disposal ordinances.

Exceptions to the Twelve (12) Month Limited Warranty

Product	Warranty Period
CL106, CL108	90 days
CLTS33P, CLSU14	2 Years
4" Submersible Well Pumps	3 Years
CLVS50C, CLW750, Pressure Tanks	5 Years

General Terms and Conditions; Limitation of Remedies

You must pay all labor and shipping charges necessary to replace product covered by this warranty. This warranty does not apply to the following: (1) acts of God; (2) products which, in CountyLine's sole judgement, have been subject to negligence, abuse, accident, misapplication, tampering, or alteration; (3) failures due to improper installation, operation, maintenance or storage; (4) atypical or unapproved application, use or service; (5) failures caused by corrosion, rust or other foreign materials in the system, or operation at pressures in excess of recommended maximums.

This warranty sets forth CountyLine's sole obligation and purchaser's exclusive remedy for defective products. COUNTYLINE SHALL NOT BE LIABLE FOR ANY CONSEQUENTIAL, INCIDENTAL, OR CONTINGENT DAMAGES WHATSOEVER. THE FOREGOING WARRANTIES ARE EXCLUSIVE AND IN LIEU OF ALL OTHER EXPRESS AND IMPLIED WARRANTIES, INCLUDING BUT NOT LIMITED TO THE IMPLIED WARRANTIES OF MERCHANTABILITY AND FITNESS FOR A PARTICULAR PURPOSE. THE FOREGOING WARRANTIES SHALL NOT EXTEND BEYOND THE DURATION PROVIDED HEREIN.

Some states do not allow the exclusion or limitation of incidental or consequential damages or limitations on how long an implied warranty lasts, so the above limitations or exclusions may not apply to You. This warranty gives You specific legal rights and You may also have other rights which vary from state to state.

CountyLine • 293 Wright Street • Delavan, WI U.S.A. 53115
Phone: 800-535-4950 • Fax: 800-526-3757 • www.tractorsupply.com

12. **⚠ WARNING Risk of electric shock.** Can shock, burn or kill. This equipment is only for use on 115 volt (single phase) and is equipped with an approved 3-conductor cord and 3-prong, grounding-type plug. If you use an extension cord, it must be a 3-wire cord with 3-prong, grounding-type plug, and must be at least 16 AWG, not more than 25' long.
 - To reduce risk of electric shock, pull plug before servicing. This pump has not been investigated for use in swimming pool areas. The pump is supplied with a grounding conductor and grounding-type attachment plug. Be sure it is connected only to a properly grounded grounding-type receptacle. Keep extension cords and all plugs dry.
 - Where a 2-prong wall receptacle is encountered, it must be replaced with properly grounded 3-prong receptacle installed in accordance with codes and ordinances that apply.
 - Do not walk on wet area until all power has been turned off. If the shut-off box is in the basement, call the electric company or hydro authority to shutoff the service to house, or call your local fire department for instructions. Failure to follow this warning can result in a fatal electrical shock.
 - Do not lift the pump by the power cord.
13. All wiring should be performed by a qualified electrician.
14. Make certain the power source conforms to the requirements of your equipment.
15. Protect the electrical cord from sharp objects, hot surfaces, oil, and chemicals. Avoid kinking the cord. Replace or repair damaged or worn cords immediately.
16. **⚠ CAUTION Risk of burns.** Do not touch an operating motor. Motors can operate at high temperatures.
17. **⚠ WARNING Risk of electric shock.** Can shock, burn or kill. Do not handle the pump or the pump motor, or change fuses with wet hands or when standing on wet or damp surface, or in water.

Installation

1. Set the pump on a hard surface in at least 2 inches of water.
2. Connect the discharge line with the fittings provided.
3. The pump should not be installed on clay, dirt, mud or sand surfaces. Although the pump will usually pass small particles suspended in water, clean the area to be pumped of small stones and gravel which could clog the pump.

NOTICE Grass, mud, sand or pea gravel can clog the pump and reduce it's performance. Keep the pump inlet screen clean.
4. To reduce motor noise and vibrations when using rigid pipe, a short length of rubber hose (e.g. radiator hose) can be connected into the discharge line near the pump using suitable clamps.
5. **Power Supply: Pump is designed for 115 V., 60 Hz., operation and requires a minimum 15 amp individual branch circuit.** Pump is supplied with a 3-wire cord with grounding-type plug.

⚠ WARNING Risk of electric shock. Can shock, burn or kill. Pump should always be electrically grounded to a suitable electrical ground such as a grounded water pipe or a properly grounded metallic raceway, or ground wire system. Do not cut off round ground pin.
6. If pump discharge line is exposed to outside sub-freezing atmosphere, portion of line exposed must be installed so any water remaining in pipe will drain to the outfall by gravity. Failure to do this can cause water trapped in discharge to freeze which could result in damage to pump.
7. Check the pump operation by observing it pump through one complete cycle.

⚠ CAUTION Risk of flooding. Can cause personal injury and/or property damage. Failure to make this operational check may lead to improper operation, premature failure, and flooding.

⚠ WARNING Risk of electric shock. Can shock, burn or kill. Do not handle a pump or pump motor with wet hands or when standing on wet or damp surface, or in water.

⚠ WARNING Risk of electric shock. Can shock, burn or kill. Before attempting to check why unit has stopped operating, disconnect power from unit.

1. The shaft seal depends on water for lubrication and cooling. Do not operate the pump unless it is submerged in water as seal may be damaged if allowed to run dry.
2. The pump will not remove all water. During manual operation the pump will pump down to within 1/8" of the pumping surface. If the optional switch is used, the final water level is determined by placement of the switch.

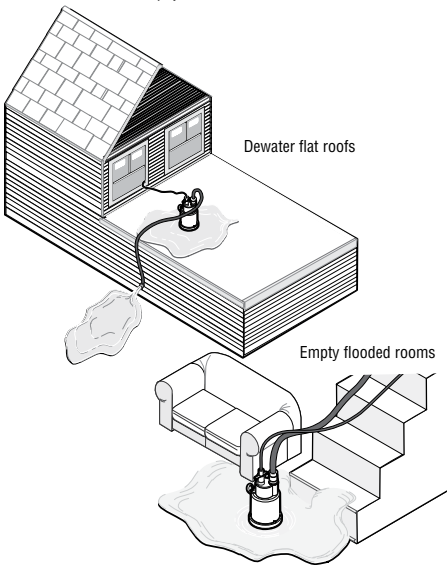


Figure 1 - Typical uses for pump

NOTICE For long cycle times, the pump must be submerged to prevent the motor from overheating. A fully submerged pump is preferred for proper cooling when a pump runs for a long time.

Airlocks

When a pump airlocks, it runs but does not move any water. See Figure 2. An airlock will cause the pump to overheat and fail. The pumps have a built in anti-airlock hole. See the exploded view on the repair parts page for the location of the hole. Water leakage from the anti-airlock hole is normal.

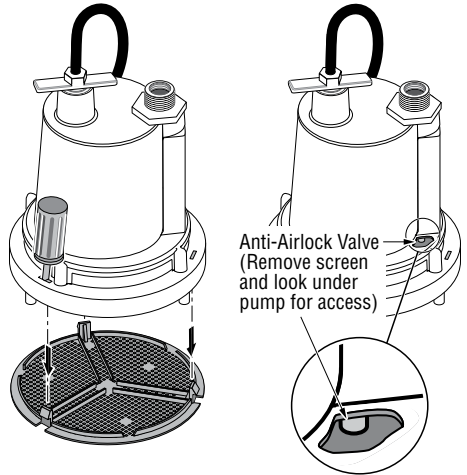
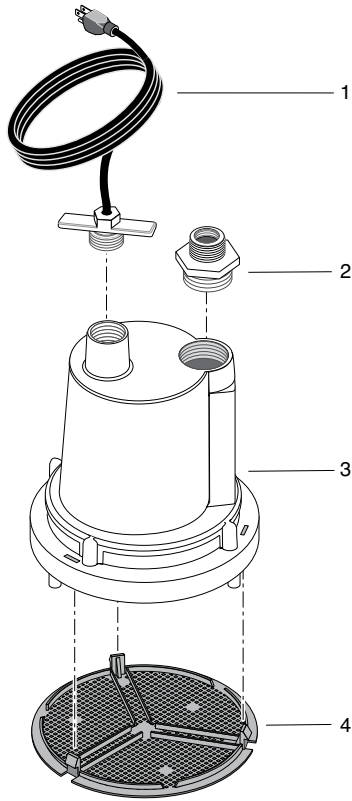


Figure 2 - Unsnap screen with screwdriver and tap out to clean it. Be sure all snaps catch when reinstalling it.

If you suspect an airlock, unplug the pump, clean out the anti-airlock hole with a paper clip or a piece of wire, and restart the pump.

⚠ WARNING Risk of electric shock. Can shock, burn or kill. Unplug pump from power receptacle before working on pump.

Symptom	Probable Cause(s)	Corrective Action
Pump won't start or run.	Pump is not plugged in.	Check and see if pump is plugged in to a proper outlet.
	Blown fuse or tripped breaker.	If blown, replace with fuse of proper size or reset breaker.
	Low line voltage.	If voltage is under recommended minimum. Check size of wiring from main switch on property. If OK, contact power company or hydro authority.
	Defective motor.	Replace pump.
Pump starts and stops.	Motor is overheating.	Discharge or intake are obstructed. Pump is in too shallow of water.
Pump operates but delivers little or no water.	Restricted discharge (obstacle or ice in piping).	Remove pump and clean pump and piping.
	Restricted intake.	Remove the pump and clean out the intake screen.
	Low line voltage.	The voltage is under recommended minimum. Check size of wiring from main switch on property. If OK, contact power company or hydro authority.
	Worn or plugged impeller.	Replace pump.
	Anti-airlock hole is plugged.	Turn off the pump, clean out the anti-airlock hole, and restart the pump.



Ref.	Part Description	Qty.	Part Number
1	Power Cord	1	PS117-54-TSU
2	Adapter	1	HA5
3	Cover, Motor Assembly	1	**
4	Inlet Screen	1	PS8-129P

**If motor fails, replace entire pump.

Instrucciones importantes de seguridad

Guarde estas instrucciones - Este manual contiene instrucciones importantes que se deben seguir durante la instalación y el mantenimiento de las bombas de sumidero.

▲ Este es un símbolo de alerta sobre la seguridad. Cuando vea este símbolo en su bomba o en este manual, busque para ver si hay alguna de las siguientes palabras de señal y esté alerta a la posibilidad de lesiones personales.

▲ PELIGRO indica un riesgo que, de no evitarse, provocará la muerte o lesiones de gravedad.

▲ ADVERTENCIA indica un riesgo que, de no evitarse, podría provocar la muerte o lesiones de gravedad.

▲ PRECAUCIÓN indica un riesgo que, de no evitarse, podría provocar lesiones leves o moderadas.

AVISO hace referencia a una práctica no relacionada con una lesión física.

Lea y siga cuidadosamente todas las instrucciones de seguridad en este manual y en la bomba.

Mantenga las etiquetas de seguridad en buenas condiciones. Reemplace las etiquetas de seguridad faltantes o dañadas.

Advertencia de la Proposición 65 de California

▲ ADVERTENCIA Este producto y accesorios relacionados contienen sustancias químicas reconocidas en el Estado de California como causantes de cáncer, malformaciones congénitas y otros daños al sistema reproductivo.

Especificaciones

Fuente de alimentación 115 V, 60 Hz
 Gama de la temp. del líquido Menos de 120° F (50° C)
 Requiere un ramal individual (mínimo) 15 Amps
 Amperios con el motor a plena carga: (1/4 HP)...5.6 Amps
 Tubería de descarga..... 1-1/4" FNPT
 Adaptador Manguera de jardín de 3/4"
 Bombee solamente agua con esta bomba.
 No usar en donde hay recirculación de agua.
 No ha sido diseñado para usar como desagüador de piscinas de natación.

Rendimiento

GPH (LPH) a altura total en pies (m)				
5' (1.5m)	10' (3m)	15' (4.6m)	20' (6.1m)	25' (6.1m)
1170 (4 429)	1020 (3 861)	810 (3 066)	510 (1 930)	0 (0)

▲ ADVERTENCIA **Riesgo de explosión.** No usar en atmósferas explosivas.

AVISO Este aparato no está diseñado como bomba de cascada o fuente, ni para aplicaciones con agua salada o de mar. El uso con cascadas, fuentes, agua salada o de mar anulará la garantía.

1. Infórmese sobre la aplicación, limitaciones y posibles riesgos de la bomba.
2. No usar en agua en donde haya peces. Si hay una fuga de aceite del motor puede matar a los peces.
3. Desconecte la energía eléctrica antes de efectuar reparaciones.
4. Alivie toda la presión dentro del sistema antes de reparar cualquier componente.
5. Drene toda el agua del sistema antes de efectuar reparaciones.
6. Asegure bien la tubería de descarga antes de poner en marcha la bomba. Una tubería de descarga que no esté bien segura puede moverse y causar lesiones personales y/o daños materiales.
7. Antes de cada uso, verifique si las mangueras están débiles o gastadas, asegurándose de que todas las conexiones estén firmes.
8. Inspeccione periódicamente el sumidero, la bomba y los componentes del sistema. Manténgala limpia de basuras y objetos extraños. Realice el mantenimiento de rutina como sea necesario.
9. No haga funcionar la bomba si tubería de descarga puede bloquearse u obstruirse.
10. Seguridad Personal:
 - a. Use lentes protectores en todo momento cuando trabaje en la bomba.
 - b. Mantenga el lugar de trabajo limpio, despejado y debidamente iluminado - guarde todas herramientas y el equipo que no se use.
 - c. Mantenga a los visitantes a una distancia segura del lugar de trabajo.
 - d. Asegúrese de que su taller sea a prueba de niños - con candados, interruptores maestros y sacando las llaves del arrancador.
11. Cuando instale el cableado de una bomba accionada eléctricamente, siga todos los códigos eléctricos y de seguridad que correspondan.

Retener el recibo original a fin de determinar la elegibilidad para la garantía

Garantía limitada

Esta Garantía Limitada entra en vigor el 1 de enero 2013 y sustituye toda garantía sin fecha o garantía con fecha anterior al 1 de enero de 2013.

CountyLine le garantiza al comprador consumidor original (el "Comprador" o "Usted") de sus productos, que éstos estarán libres de defectos en materiales y en mano de obra por un período de doce (12) meses, a partir de la fecha de la compra original del consumidor. Si dentro de los doce (12) meses a partir de la fecha de la compra inicial del consumidor, se comprobara que cualquiera de esos productos es defectuoso, será reparado o reemplazado a opción de CountyLine, sujeto a los términos y condiciones establecidos en la presente. Tome nota de que esta garantía limitada cubre defectos de manufactura solamente y no el desgaste común. Todos los aparatos mecánicos periódicamente necesitan repuestos y servicio para un funcionamiento correcto. Esta garantía limitada no cubre las reparaciones que se realicen cuando el uso normal haya agotado la vida útil de una pieza o del aparato.

Es necesario retener el recibo de compra original y la etiqueta de información de la garantía a fin de determinar la elegibilidad para la garantía. La elegibilidad se basa en la fecha de compra del producto original - no en la fecha del reemplazo bajo la garantía. La garantía es limitada y cubre solamente la reparación o el reemplazo del producto original adquirido, no del producto reemplazado (es decir que se permite un reemplazo por compra bajo la garantía). El comprador pagará todos los costos de remoción, instalación, mano de obra y envío necesarios, así como todo costo adicional asociado.

Si necesita piezas o ayuda para la resolución de problemas, NO devuelva el producto a la tienda minorista. Llame al Departamento de Atención al Cliente de CountyLine al 800-535-4950.

Las reclamaciones hechas bajo esta garantía se realizarán mediante la devolución del producto (a excepción de las bombas cloacales - ver a continuación) al concesionario de venta al público en donde se haya adquirido inmediatamente después de haber descubierto cualquier presunto defecto. CountyLine entonces tomará la medida correctiva tan pronto como sea razonablemente posible. No se aceptarán solicitudes de servicio, si se reciben más de 30 días después del vencimiento de esta garantía.

La garantía no es transferible y no cubre productos utilizados en aplicaciones comerciales o de alquiler.

Bombas cloacales

NO devuelva una bomba cloacal (que se haya instalado) a su tienda minorista. Comuníquese con el Departamento de Atención al Cliente de CountyLine. Las bombas cloacales que hayan estado en servicio y se hayan removido pueden representar un peligro de contaminación.

Si su bomba cloacal ha fallado:

- Use guantes de caucho cuando manipule la bomba;
- Para los fines de la garantía, devuelva la etiqueta del cordón de la bomba y el recibo de compra original a la tienda minorista;
- Descarte la bomba cumpliendo con todas las normas locales que correspondan para su eliminación.

Excepciones para la garantía limitada de doce (12) meses

Producto	Período de garantía
CL106, CL108	90 días
CLTS33P, CLSU14	2 años
Bombas de pozo sumergibles de 4"	3 años
Tanque Tanques de presión CLVS50C, CLW750	5 años

Términos y condiciones generales; Limitación de recursos

Usted deberá pagar por todos los gastos de mano de obra y de envío necesarios para reemplazar el producto cubierto por esta garantía. Esta garantía no se aplicará en las siguientes situaciones: (1) caso de fuerza mayor (2) productos que, a sólo juicio de CountyLine hayan sido sometidos a negligencia, abuso, accidente, mala aplicación, manejo indebido o alteraciones; (3) fallas debido a instalación, operación, mantenimiento o almacenamiento inadecuados; (4) aplicaciones, usos o servicios que no sean normales o aprobados; (5) fallas provocadas por corrosión, herrumbre u otros materiales extraños en el sistema, o una operación a presiones que excedan los máximos recomendados.

Esta garantía establece la única obligación de CountyLine y el recurso exclusivo del Comprador con respecto a los productos defectuosos.

COUNTYLINE NO SE HARÁ RESPONSABLE DE NINGÚN DA—O CONSECUENTE, INCIDENTAL O CONTINGENTE. LAS GARANTÍAS LIMITADAS QUE ANTECEDEN SON EXCLUSIVAS Y EN LUGAR DE TODA OTRA GARANTÍA EXPLÍCITA E IMPLÍCITA, INCLUYENDO, PERO SIN LIMITARSE A LAS GARANTÍAS IMPLÍCITAS DE COMERCIABILIDAD E IDONEIDAD PARA UN FIN ESPECÍFICO. LAS GARANTÍAS LIMITADAS QUE ANTECEDEN NO SE EXTENDERÁN MÁS ALLÁ DEL PERÍODO DE DURACIÓN INDICADO EN LA PRESENTE.

Algunos Estados no permiten la exclusión o limitación de daños incidentales o consecuentes o de limitaciones de tiempo sobre garantías implícitas, de modo que es posible que las limitaciones o exclusiones que preceden no correspondan en su caso. Esta garantía le otorga derechos legales específicos y es posible que Usted también tenga otros derechos que pueden variar de un Estado al otro.

12. **⚠ ADVERTENCIA** **Riesgo de choque eléctrico.** Puede provocar choque, quemadura o muerte. Esta bomba solamente se puede usar con corriente de 115 voltios (monofásica) y está equipado con un cordón aprobado de 3 conductores y 3 clavijas, del tipo de puesta a tierra. Si usa un cordón de alargue, debe ser un cordón trifilar con 3 puntas, enchufe con puesta a tierra y debe ser de un mínimo de 16 AWG, y no más de 25 pies de largo.
 - Para reducir el riesgo de choque eléctrico, desenchufe la bomba antes de repararla. No se ha comprobado aún si esta bomba pueda ser usada en albercas. La bomba es suministrada con un conductor de puesta a tierra y un enchufe del tipo de puesta a tierra. Asegúrese de que sea conectado solamente a un tomacorriente puesto a tierra, del tipo de puesta a tierra.
 - Si el tomacorriente mural es del tipo para 2 clavijas, éste debe ser reemplazado por un tomacorriente de 3 clavijas e instalado de acuerdo con los códigos y reglamentos que correspondan.
 - No camine en un lugar mojado hasta que no haya desactivado toda fuente de corriente eléctrica. Si la llave de paso está en el sótano, llame a la compañía de electricidad o de energía para cortar el servicio a su casa, o llame al departamento de bomberos de su localidad para solicitar instrucciones. El incumplimiento de esta advertencia puede resultar en un choque eléctrico mortal.
 - No levante la bomba por medio del cordón eléctrico.
13. Todo el cableado debe ser efectuado por un electricista calificado.
14. Asegúrese de que la fuente de alimentación cumple con los requisitos de su equipo.
15. Proteja el cordón eléctrico contra objetos afilados, superficies calientes, aceite y productos químicos. Evite que se enrede. Reemplace o repare inmediatamente un cordón que esté dañado o gastado.
16. **⚠ PRECAUCIÓN** **Riesgos de quemaduras.** No toque un motor cuando esté funcionando. Los motores pueden funcionar a temperaturas altas.
17. **⚠ ADVERTENCIA** **Riesgo de choque eléctrico.** Puede provocar choque, quemadura o muerte. No maneje la bomba, el motor de la bomba, ni cambie los fusibles, con las manos mojadas o cuando esté parado en suelo húmedo o mojado, o en el agua.

Instalacion

1. Coloque la bomba sobre una superficie dura dentro de 2 pulgadas de agua como mínimo.
2. Conecte la línea de descarga a los accesorios suministrados.
3. La bomba no se debe instalar sobre superficies de arcilla, polvo, lodo o arena. Aunque la bomba generalmente pasará partículas pequeñas suspendidas en el agua, es importante que se limpie la zona de bombeo de piedras pequeñas y grava que puedan obstruir la bomba.
AVISO Césped, lodo, arena o gravilla pueden obstruir la bomba y reducir su rendimiento. Mantenga limpia la malla de admisión de la bomba.
4. Para reducir el ruido y las vibraciones del motor, cuando se use una tubería rígida, se puede conectar una manguera corta de caucho (por ej. manguera de radiador) en la línea de descarga, cerca de la bomba, usando abrazaderas adecuadas.
5. **Fuente de Alimentación: La bomba está diseñada para funcionar con corriente de 115 V, 60 Hz. y requiere un ramal individual mínimo de 15 amps.** La bomba viene equipada con un cordón trifilar con enchufe de tipo conexión a tierra.
 - ⚠ ADVERTENCIA** **Riesgo de choque eléctrico.** Puede provocar choque, quemadura o muerte. La bomba siempre debe ser puesta a tierra en una tierra eléctrica adecuada tales como una tubería en el agua que esté puesta a tierra o un conducto metálico debidamente puesto a tierra o un sistema de alambre de puesta a tierra. No corte la clavija redonda de puesta a tierra.
6. Si la tubería de descarga de la bomba está expuesta a temperaturas exteriores inferiores al punto de congelación, la porción expuesta de la tubería debe ser instalada de manera que toda agua que quede en la tubería se drene por gravedad hacia la descarga. El incumplimiento de esto puede causar que el agua atrapada en la tubería de descarga se congele, lo cual podría resultar en daño a la bomba.
7. Inspeccione la operación del sistema observando el funcionamiento de la bomba durante un ciclo completo.
 - ⚠ PRECAUCIÓN** **Riesgo de inundación.** Puede provocar lesiones personales y/o daños materiales. El incumplimiento de esta verificación del funcionamiento puede resultar en funcionamiento impropio, falla prematura e inundación.

⚠ ADVERTENCIA Riesgo de choque eléctrico. Puede provocar choque, quemadura o muerte. No maneje la bomba ni el motor de la bomba con las manos mojadas o cuando esté parado sobre una superficie mojada o húmeda, o en agua.

⚠ ADVERTENCIA Riesgo de choque eléctrico. Puede provocar choque, quemadura o muerte. Antes de tratar de verificar la razón por la que una unidad dejó de funcionar, desconecte la corriente desde la misma.

1. El sello del eje depende del agua para su lubricación y su enfriamiento. No opere la bomba a menos que se encuentre sumergida dentro del agua, ya que el sello se perjudicará si marcha en seco.
2. La bomba no eliminará toda el agua. Durante la operación manual, la bomba bombeará hasta 1/8" de la superficie de bombeo. Si se utiliza el interruptor opcional, la colocación del interruptor determinará el nivel final de agua.

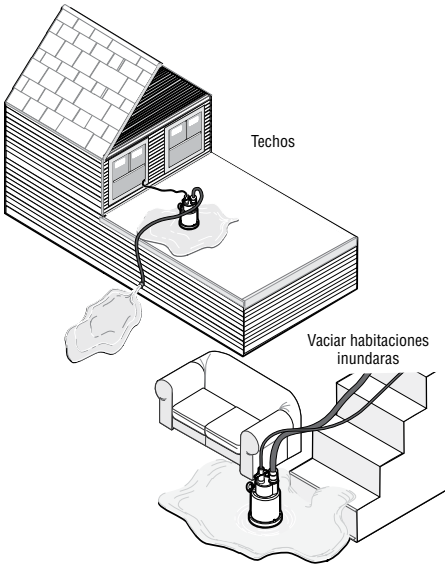


Figura 1 - Usos típicos de la bomba

AVISO Para ciclos de funcionamiento largos, la bomba debe estar sumergida para evitar que el motor se recaliente. Si la bomba funciona durante un período largo y para que se pueda enfriar adecuadamente, es preferible que esté completamente sumergida.

Bolsas de aire (“AIRLOCK”)

Cuando el flujo de la bomba disminuye o se para debido a bolsas de aire, la bomba marcha pero no mueve agua. Consulte la Figura 2. Una bolsa de aire puede hacer que la bomba se recaliente y falle. Esta bomba posee un orificio “anti-airlock” para eliminar las bolsas de aire. Fugas del orificio “anti-airlock” está normal.

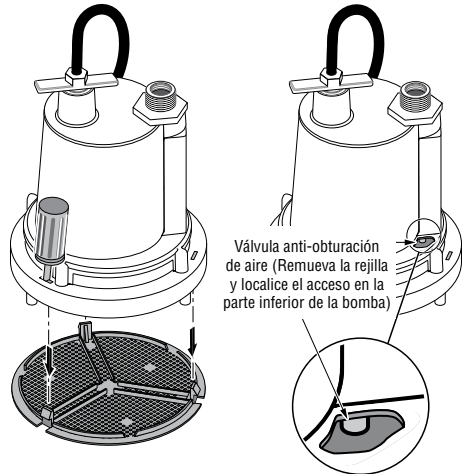
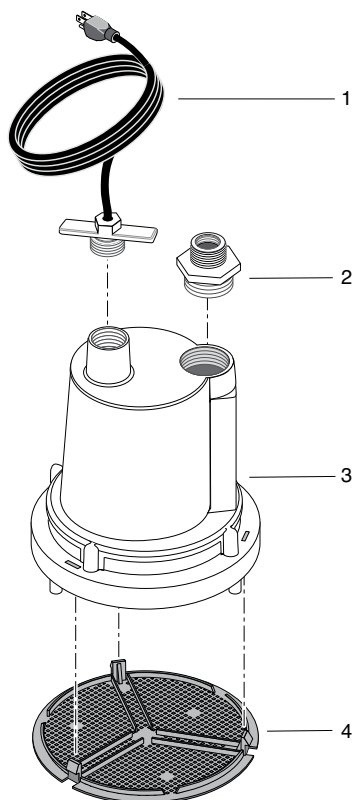


Figura 2 - Desabroche la rejilla usando un destornillador y sacúdala para limpiarla. Asegúrese de que todos los broches enganchen bien ajustadamente al reponerla.

Si usted sospecha que hay una bolsa de aire, desenchufe la bomba, limpie el orificio “anti-airlock” con un clip de papel o un trozo de alambre y vuelva a activarla.

⚠ ADVERTENCIA **Riesgo de choque eléctrico.** Puede provocar choque, quemadura o muerte. Desconecte la bomba de la fuente de alimentación eléctrica antes de efectuar cualquier trabajo en la misma.

Síntoma	Causa(s) probable(s)	Acción correctiva
La bomba no arranca o no marcha.	La bomba no está enchufada.	Verifique que la bomba esté enchufada en un tomacorriente adecuado.
	Fusible quemado.	Si está quemado, reemplace por un fusible del tamaño adecuado o reposicione el disyuntor.
	Baja tensión de línea.	La tensión se encuentra por debajo del mínimo recomendado. Verifique el tamaño de los cables desde el conmutador principal en la propiedad. Si es el correcto, comuníquese con la empresa de energía o de suministro de corriente eléctrica.
	Motor defectuoso.	Reemplace la bomba.
La bomba arranca y se detiene.	El motor se recalienta.	La descarga o la admisión están obstruidas. La bomba se encuentra en agua que no es lo suficientemente profunda.
La bomba funciona pero entrega poco o nada de agua.	Descarga limitada (obstáculo o hielo en la tubería).	Saque la bomba y limpie la bomba y la tubería.
	Admisión restringida.	Saque la bomba y limpie el accesorio de admisión.
	Baja tensión de línea.	La tensión se encuentra por debajo del mínimo recomendado. Verifique el tamaño de los cables desde el conmutador principal en la propiedad. Si es el correcto, comuníquese con la empresa de energía o de suministro de corriente eléctrica.
	Piezas gastadas o impulsor tapado.	Reemplace la bomba.
	Bolsa de aire (disminución de flujo).	Apague la bomba por unos segundos, limpie el orificio "anti-airlock" y luego vuelva a activarla.



Ref.	Descripción	Cant.	No. de piezas
1	Cordón eléctrico	1	PS117-54-TSU
2	Adaptador	1	HA5
3	Cubierta, unidad del motor	1	**
4	Malla de admisión	1	PS8-129P

**Si el motor está defectuoso, reemplace la bomba.

THIS PAGE INTENTIONALLY LEFT BLANK

THIS PAGE INTENTIONALLY LEFT BLANK

