



293 Wright Street, Delavan, WI 53115
 Phone: 800-535-4950
 Fax: 800-526-3757
 www.tractorsupply.com

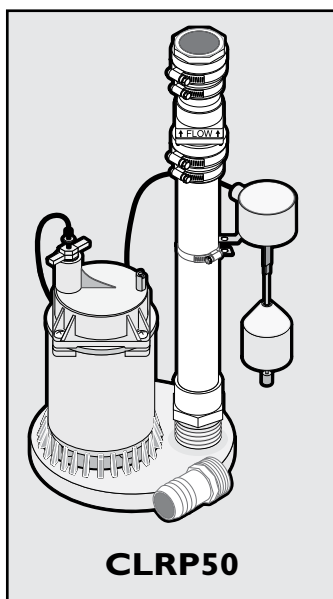
OWNER'S MANUAL

Quick Install Sump Pump

MANUAL DEL USUARIO

Bomba para sumidero de instalación rápida

*For emergency flooding situations, see instructions, page 4.
 Para situaciones de emergencia en caso de inundación,
 consulte las instrucciones en la página 11.*



Installation/Operation/Parts

For further operating, installation, or maintenance assistance:

Call 800-535-4950

English. Pages 2-8

Instalación/Operación/Piezas

Para mayor información sobre el funcionamiento, instalación o mantenimiento de la bomba:

Llame al 800-535-4950

Español Páginas 9-15

Important Safety Instructions

SAVE THESE INSTRUCTIONS - This manual contains important instructions that should be followed during installation, operation, and maintenance of the product. **▲** This is the safety alert symbol. When you see this symbol on your pump or in this manual, look for one of the following signal words and be alert to the potential for personal injury!

▲ DANGER indicates a hazard which, if not avoided, *will* result in death or serious injury.

▲ WARNING indicates a hazard which, if not avoided, *could* result in death or serious injury.

▲ CAUTION indicates a hazard which, if not avoided, *could* result in minor or moderate injury.

NOTICE addresses practices not related to personal injury.

Carefully read and follow all safety instructions in this manual and on pump.

Keep safety labels in good condition. Replace missing or damaged safety labels.

California Proposition 65 Warning

▲ WARNING This product and related accessories contain chemicals known to the State of California to cause cancer, birth defects or other reproductive harm.

Specifications

Power supply required..... 115V, 60 HZ.
 Liquid Temp. Range..... 32°F to 70°F(0°-21°C)
 Individual Branch Circuit Required (min.)15 Amps
 Motor Full Load:.....5.5 Amps
 Discharge:
 Check Valve1-1/4" slip / 1-1/2" slip
 Hose1-1/4"

NOTICE Do not reduce size of discharge pipe or hose below 1-1/4" diameter. If discharge is too small, pump will overheat and fail prematurely.

NOTICE This unit is not designed as a waterfall or fountain pump, or for applications involving salt water or brine! Use with waterfalls, fountains, salt water or brine will void warranty.

Pump water only with this pump.

Do not use where water recirculates.

Not designed for use as a swimming pool drainer.

NOTICE Read this Owner's Manual for installation, operation, and safety information.

Performance

GPH (LPH) at Total feet (m) of lift				
5' (1.5m)	10' (3m)	15' (4.6m)	20' (6.1m)	No flow at height shown below
Capacity Gallons(L)/Hour				
3200 (12 113)	2700 (10 220)	2000 (7 571)	1200 (4 542)	24' (7.3m)

1. Know the pump application, limitations, and potential hazards.
2. Do not use in water with fish present. If any oil leaks out of the motor it can kill fish.
3. Disconnect power before servicing.
4. Release all pressure within system before servicing any component.
5. Drain all water from system before servicing.
6. Secure discharge line before starting pump. An unsecured discharge line will whip, possibly causing personal injury and/or property damage.
7. Check hoses for weak or worn condition before each use, making certain that all connections are secure.
8. Periodically inspect sump, pump and system components. Keep free of debris and foreign objects. Perform routine maintenance as required.
9. Provide means of pressure relief for pumps whose discharge line can be shut-off or obstructed.

Retain Original Receipt For Warranty Eligibility

Limited Warranty

This Limited Warranty is effective January 1, 2013 and replaces all undated warranties and warranties dated before January 1, 2013.

CountyLine warrants to the original consumer purchaser ("Purchaser" or "You") that its products are free from defects in material and workmanship for a period of twelve (12) months from the date of the original consumer purchase. If, within twelve (12) months from the original consumer purchase, any such product shall prove to be defective, it shall be repaired or replaced at CountyLine's option, subject to the terms and conditions set forth herein. Note that this limited warranty applies to manufacturing defects only and not to ordinary wear and tear. All mechanical devices need periodic parts and service to perform well. This limited warranty does not cover repair when normal use has exhausted the life of a part or the equipment. The original purchase receipt and product warranty information label are required to determine warranty eligibility. Eligibility is based on purchase date of original product – not the date of replacement under warranty. The warranty is limited to repair or replacement of original purchased product only, not replacement product (i.e. one warranty replacement allowed per purchase). Purchaser pays all removal, installation, labor, shipping, and incidental charges.

For parts or troubleshooting assistance, DO NOT return product to your retail store. Contact CountyLine Customer Service at 800-535-4950.

Claims made under this warranty shall be made by returning the product (except sewage pumps, see below) to the retail outlet where it was purchased immediately after the discovery of any alleged defect. CountyLine will subsequently take corrective action as promptly as reasonably possible. No requests for service will be accepted if received more than 30 days after the warranty expires. Warranty is not transferable and does not apply to products used in commercial/rental applications.

Sewage Pumps

DO NOT return a sewage pump (that has been installed) to your retail store. Contact CountyLine Customer Service. Sewage pumps that have seen service and been removed carry a contamination hazard with them.

If your sewage pump has failed:

- Wear rubber gloves when handling the pump;
- For warranty purposes, return the pump's cord tag and original receipt of purchase to the retail store;
- Dispose of the pump according to local disposal ordinances.

Exceptions to the Twelve (12) Month Limited Warranty

Product	Warranty Period
CL106, CL108	90 days
CLTS33P, CLSU14	2 Years
4" Submersible Well Pumps	3 Years
CLVS50C, CLW750, Pressure Tanks	5 Years

General Terms and Conditions; Limitation of Remedies

You must pay all labor and shipping charges necessary to replace product covered by this warranty. This warranty does not apply to the following: (1) acts of God; (2) products which, in CountyLine's sole judgement, have been subject to negligence, abuse, accident, misapplication, tampering, or alteration; (3) failures due to improper installation, operation, maintenance or storage; (4) atypical or unapproved application, use or service; (5) failures caused by corrosion, rust or other foreign materials in the system, or operation at pressures in excess of recommended maximums.

This warranty sets forth CountyLine's sole obligation and purchaser's exclusive remedy for defective products. COUNTYLINE SHALL NOT BE LIABLE FOR ANY CONSEQUENTIAL, INCIDENTAL, OR CONTINGENT DAMAGES WHATSOEVER. THE FOREGOING WARRANTIES ARE EXCLUSIVE AND IN LIEU OF ALL OTHER EXPRESS AND IMPLIED WARRANTIES, INCLUDING BUT NOT LIMITED TO THE IMPLIED WARRANTIES OF MERCHANTABILITY AND FITNESS FOR A PARTICULAR PURPOSE. THE FOREGOING WARRANTIES SHALL NOT EXTEND BEYOND THE DURATION PROVIDED HEREIN.

Some states do not allow the exclusion or limitation of incidental or consequential damages or limitations on how long an implied warranty lasts, so the above limitations or exclusions may not apply to You. This warranty gives You specific legal rights and You may also have other rights which vary from state to state.

CountyLine • 293 Wright Street • Delavan, WI U.S.A. 53115
Phone: 800-535-4950 • Fax: 800-526-3757 • www.tractorsupply.com

10. Personal Safety:
 - a. Do not plug in or otherwise handle with wet hands or when standing on wet or damp surface, or in water.
 - b. Wear safety glasses at all times when working with pumps.
 - c. Keep work area clean, uncluttered and properly lighted – replace all unused tools and equipment.
 - d. Keep visitors at a safe distance from work area.
 - e. Make workshop child-proof – with padlocks, master switches, and by removing starter keys.
11. When wiring an electrically driven pump, follow all electrical and safety codes that apply.
12. **⚠️ WARNING Risk of electric shock.** Can shock, burn or kill. This equipment is only for use on 115 volt (single phase) and is equipped with an approved 3-conductor cord and 3-prong, grounding-type plug.
 - To reduce risk of electric shock, pull plug before servicing. This pump has not been investigated for use in swimming pool areas. Pump is supplied with a grounding conductor and grounding-type attachment plug. Be sure it is connected only to a properly grounded grounding-type receptacle.
 - Where a 2-prong wall receptacle is encountered, it must be replaced with properly grounded 3-prong receptacle installed in accordance with codes and ordinances that apply.
13. All wiring should be performed by a qualified electrician.
14. Make certain power source conforms to requirements of your equipment.
15. Protect electrical cord from sharp objects, hot surfaces, oil, and chemicals. Avoid kinking cord. Replace or repair damaged or worn cords immediately.
16. **⚠️ CAUTION Risk of burns.** Do not touch an operating motor. Motors can operate at high temperatures.

17. Do not handle pump or pump motor with wet hands or when standing on wet or damp surface, or in water.

⚠️ WARNING Risk of electric shock. Can shock, burn or kill. If your basement has water or moisture on floor, do not walk on wet area until all power has been turned off. If shut-off box is in basement, call electric company or hydro authority to shut-off service to house, or call your local fire department for instructions. Remove pump and repair or replace. Failure to follow this warning can result in fatal electrical shock.
18. Do not lift pump by power cord.

For Emergency Flooding Situations

- ⚠️ WARNING Risk of electric shock.** Can shock, burn or kill. If your basement has water or moisture on floor, do not walk on wet area until all power has been turned off. If shut-off box is in basement, call electric company or hydro authority to shut-off service to house, or call your local fire department for instructions. Remove pump and repair or replace. Failure to follow this warning can result in fatal electrical shock. Do not lift pump by power cord.
1. Install the adapter and hose barb in the pump's check valve. Install the hose on the adapter and clamp it.
 2. Lift the cord and tape it to the pump's discharge pipe. Plug the pump and switch into a UL and/or CSA approved type SJTW water resistant 3-prong grounding-type extension cord. The cord must be at least #14 AWG and not more than 100 feet long. Plugs and extension cord must be kept out of the water.
 3. Remove the old pump from the sump and set it aside.
 4. Lower the pump into the sump. Make sure the power cord is long enough that the plug is out of the water when the pump is running.
 5. Run the hose out of the flooded area to an adequate drain area.

- 6. **⚠ WARNING Risk of electric shock.** Can shock, burn or kill.
Go to a dry area, remove wet shoes and change wet clothing. WHEN YOU ARE DRY, plug the extension cord into a grounded electrical outlet (with a GFCI, if possible). DO NOT STAND IN WATER TO PLUG IN THE PUMP.
- 7. National Electrical Code (NEC) and Canadian Electrical Code (CEC) requirements prohibit the use of an extension cord with this pump in a permanent installation.
As soon as possible, remove the extension cord and reinstall the pump as a permanent replacement pump whose power cord connects directly into a properly grounded grounding-type receptacle. Install the pump in accordance with the instructions, and in accordance with all codes and ordinances that apply.
- 8. Monitor the pump's operation. The pump will automatically stop when the water level has receded to the OFF point of the switch.

NOTICE CSA has not approved the use of an extension cord with this pump.

Installation

- 1. Install pump in sump pit with minimum diameter of 10" (254mm). Sump depth should be 10" (254mm). Construct sump pit of tile, concrete, steel or plastic. Check local codes for approved materials and for proper installation.
- 2. Install pump in pit so that switch operating mechanism has maximum possible clearance.

Switch Setting in inches (mm)	
On	Off
8" (203)	3.5" (89)

- 3. Pump should not be installed on clay, earth or sand surfaces. Clean sump pit of small stones and gravel which could clog pump. Keep pump inlet screen clear.

NOTICE Do not use ordinary pipe joint compound on plastic pipe. Pipe joint compound can attack plastics.

- 4. **⚠ CAUTION Risk of flooding.** Can cause personal injury and/or property damage. If a flexible discharge hose is used, make sure pump is secured in sump to prevent movement. Failure to secure pump may allow pump movement, switch interference and prevent pump from starting or stopping.

- 4. **Power Supply: Pump is designed for 115 V., 60 Hz., operation and requires a minimum 15 amp individual branch circuit.** Both pump and switch are supplied with 3-wire cord sets with grounding-type plugs. Switch plug is inserted directly into outlet and pump plug inserts into opposite end of switch plug.

- 4. **⚠ WARNING Risk of electric shock.** Can shock, burn or kill. Pump should always be electrically grounded to a suitable electrical ground such as a grounded water pipe or a properly grounded metallic raceway, or ground wire system. Do not cut off round ground pin.

- 5. If pump discharge line is exposed to outside sub-freezing atmosphere, portion of line exposed must be installed so any water remaining in pipe will drain to the outfall by gravity. Failure to do this can cause water trapped in discharge to freeze which could result in damage to pump.
- 6. After piping, check valve and float switch have been installed, the unit is ready for operation.
- 7. Check the pump operation by filling sump with water and observing pump operation through one complete cycle.

⚠ CAUTION Risk of flooding. Can cause personal injury and/or property damage. Failure to make this operational check may lead to improper operation, premature failure, and flooding.

⚠ WARNING Risk of electric shock. Can shock, burn or kill. Do not handle a pump or pump motor with wet hands or when standing on wet or damp surface, or in water.

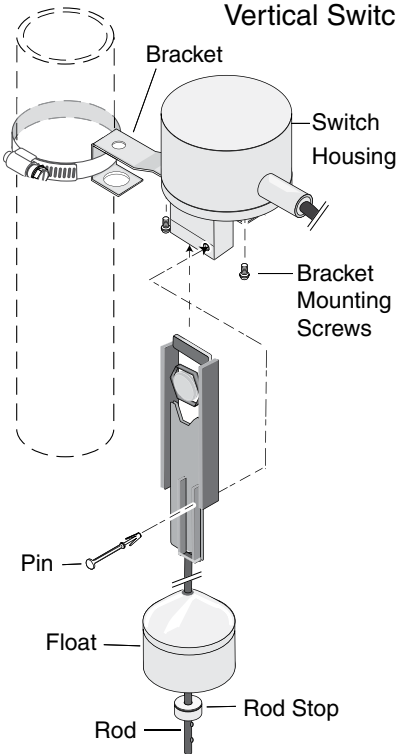
1. Shaft seal depends on water for lubrication. Do not operate pump unless it is submerged in water as seal may be damaged if allowed to run dry.
2. **⚠ WARNING Risk of sudden starts.** Can cause electrical shock and personal injury. Motor is equipped with automatic reset thermal protector. If temperature in motor should rise unduly, switch will cut off all power before damage can be done to motor. When motor has cooled sufficiently, switch will reset

automatically and restart motor. If protector trips repeatedly, pump should be removed and checked as to cause of difficulty. Low voltage, long extension cords, clogged impeller, very low head or lift, or a plugged or frozen discharge pipe, etc., could cause cycling.

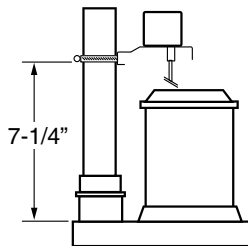
3. Pump will not remove all water. If operating a pump manually, and suddenly no water comes out of the discharge hose, shut off the unit immediately. The water level is probably very low and the unit has broken prime.

⚠ WARNING Risk of electric shock. Can shock, burn or kill. Before attempting to check why unit has stopped operating, disconnect power from unit.

Vertical Switch Replacement



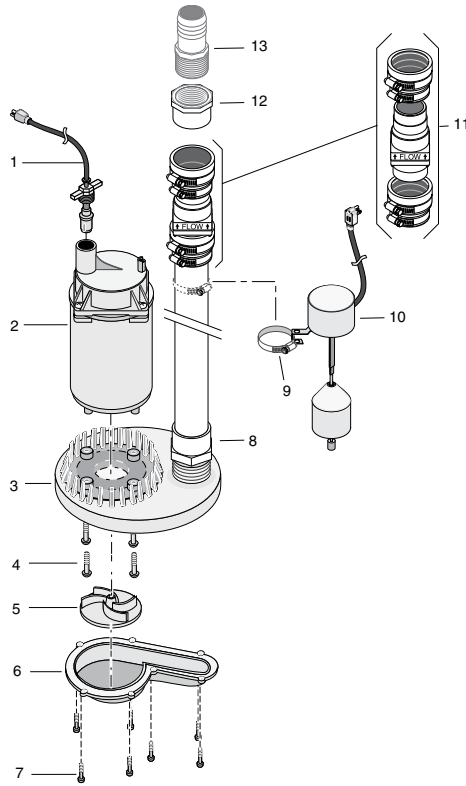
- ① Mount the bracket on the switch housing.
 - ② Slip the float and then the rod stop onto the rod past the nib.
 - ③ Insert the rod assembly up into the switch housing and lock into place with the pin.
- NOTICE** Be sure the pin holds the rod in the switch housing or the pump will not shut off.
- ④ Attach the switch to the discharge pipe as shown. The bottom of the bracket should be 7-1/4" above the top of the volute for correct on/off points (see below).



NOTICE See instructions included with replacement switch, Part Number FPS17-66.

⚠ WARNING Risk of electric shock. Can shock, burn or kill. Unplug pump from power receptacle before working on pump.

Symptom	Probable Cause(s)	Corrective Action
Pump won't start or run.	Pump is not plugged in.	Check and see if pump is plugged in to a proper outlet.
	Blown fuse or tripped breaker.	If blown, replace with fuse of proper size. If tripped, reset breaker.
	Low line voltage.	If voltage under recommended minimum, check size of wiring from main switch on property. If OK, contact power company or hydro authority.
	Defective motor.	Replace pump.
	Defective float switch.	Replace float switch.
	Impeller.	If impeller won't turn, remove lower pump body and locate source of binding.
	Float obstructed.	Remove obstruction.
Pump starts and stops too often.	Backflow of water from piping.	Install or replace check-valve.
	Faulty float switch.	Replace float switch.
Pump won't shut off.	Defective float switch.	Replace float switch.
	Restricted discharge (obstacle or ice in piping).	Remove pump and clean pump and piping.
	Float obstructed.	Remove obstruction.
	Restricted intake screen.	Remove the pump and clean the intake screen and the impeller.
Pump operates but delivers little or no water.	Low line voltage.	If voltage under recommended minimum, check size of wiring from main switch on property. If OK, contact power company or hydro authority.
	Something caught in impeller.	Remove the pump and clean out the impeller.
	Worn or defective parts or plugged impeller.	Clean impeller if plugged; otherwise replace pump.
	Vent hole plugged.	Use a nail or paperclip to open vent hole in discharge pipe.
	Restricted intake screen.	Remove the pump and clean out the intake screen.
	Check valve is installed either backward or upside down.	Be sure check valve is installed correctly.



Ref.	Description	Qty.	Part Number
1	Power Cord Assembly	1	PS117-54-TSU
2	Motor	1	**
3	Volute (Upper)	1	PS1-31P
4	Screw, #8-32x5/8" Phillips Pan Head	4	†
5	Impeller	1	RP0000911A
6	Volute (Lower)	1	PS1-30P
7	Screw, #8-16x1/2" Lg. Pan Head	7	†
8	1-1/4" NPT x 1-1/4" Slip Adapter	1	†
9	Switch Clamp	1	†
10	Vertical Float Switch Assembly (includes Ref. 9)	1	FPS17-66
11	Check Valve	1	FP0026-10
12	1-1/2" Slip x 1-1/4" NPT Adapter	1	†
13	1-1/4" NPT x 1-1/4" Hose Barb	1	†
•	1-1/4" x 24' Hose Kit (includes Key No. 13)	1	FP0012-6U

**If motor fails, replace entire pump.

† Standard hardware item; purchase locally.

• Not illustrated

Instrucciones importantes de seguridad

Guarde estas instrucciones - Este manual contiene instrucciones importantes que se deben seguir durante la instalación y el mantenimiento del bombas de sumidero.

⚠ Este es un símbolo de alerta sobre la seguridad. Cuando vea este símbolo en su bomba o en este manual, busque para ver si hay alguna de las siguientes palabras de señal y esté alerta a la posibilidad de lesiones personales.

⚠ PELIGRO indica un riesgo que, de no evitarse, *provocará* la muerte o lesiones de gravedad.

⚠ ADVERTENCIA indica un riesgo que, de no evitarse, *podría provocar* la muerte o lesiones de gravedad.

⚠ PRECAUCIÓN indica un riesgo que, de no evitarse, *podría provocar* lesiones leves o moderadas.

AVISO hace referencia a una práctica no relacionada con una lesión física.

Lea y siga cuidadosamente todas las instrucciones de seguridad en este manual y en la bomba.

Mantenga las etiquetas de seguridad en buenas condiciones. Reemplace las etiquetas de seguridad faltantes o dañadas.

Advertencia de la Proposición 65 de California

⚠ ADVERTENCIA Este producto y accesorios relacionados contienen sustancias químicas reconocidas en el Estado de California como causantes de cáncer, malformaciones congénitas y otros daños al sistema reproductivo.

Especificaciones

- Fuente de alimentación 115 V, 60 Hz
- Gama de la temperatura del líquido.. 0°-21°C (32°F a 70°F)
- Requiere un ramal individual (mínimo).....15 Amps
- Amperios con el motor a plena carga).....5.5 Amps
- Tubería de descarga
- Válvula de retención1-1/4" corrediza /
1-1/2" corrediza
- Manguera.....1-1/4"

AVISO No reduzca el tamaño de la tubería o de la manguera de descarga a un diámetro menor de 1-1/4". Si la descarga es demasiado pequeña, la bomba se recalentará y fallara prematuramente.

AVISO Este aparato no está diseñado como bomba de cascada o fuente, ni para aplicaciones con agua salada o de mar. El uso con cascadas, fuentes, agua salada o de mar anulará la garantía.

No usar en donde hay recirculación de agua.
Bombeo solamente agua con esta bomba.
No ha sido diseñado para usar como desagüador de piscinas de natación.

AVISO Es importante leer este Manual del usuario con información sobre la instalación, la operación y la seguridad.

Rendimiento

GPH (LPH) a altura total en pies (m)				
5 pi. (1.5m)	10 pi. (3m)	15 pi. (4.6m)	20 pi. (6.1m)	Sin caudal en al altura indicada abajo
Capacidad en galones (l) por hora				
3200 (12 113)	2700 (10 220)	2000 (7 571)	1200 (4 542)	24 pi. (7.3m)

1. Infórmese sobre la aplicación, limitaciones y posibles riesgos de la bomba.
2. No usar en agua en donde haya peces. Si hay una fuga de aceite del motor puede matar a los peces.
3. Desconecte la energía eléctrica antes de efectuar reparaciones.
4. Alivie toda la presión dentro del sistema antes de reparar cualquier componente.
5. Drene toda el agua del sistema antes de efectuar reparaciones.
6. Asegure bien la tubería de descarga antes de poner en marcha la bomba. Una tubería de descarga que no esté bien segura puede moverse y causar lesiones personales y/o daños materiales.
7. Antes de cada uso, verifique si las mangueras están débiles o gastadas, asegurándose de que todas las conexiones estén firmes.
8. Inspeccione periódicamente el sumidero, la bomba y los componentes del sistema. Manténgala limpia de basuras y objetos extraños. Realice el mantenimiento de rutina como sea necesario.
9. Provea un medio de alivio de la presión para aquellas bombas cuya tubería de descarga puede bloquearse u obstruirse.

Retener el recibo original a fin de determinar la elegibilidad para la garantía

Garantía limitada

Esta Garantía Limitada entra en vigor el 1 de enero 2013 y sustituye toda garantía sin fecha o garantía con fecha anterior al 1 de enero de 2013.

CountyLine le garantiza al comprador consumidor original (el "Comprador" o "Usted") de sus productos, que éstos estarán libres de defectos en materiales y en mano de obra por un período de doce (12) meses, a partir de la fecha de la compra original del consumidor. Si dentro de los doce (12) meses a partir de la fecha de la compra inicial del consumidor, se comprobara que cualquiera de esos productos es defectuoso, será reparado o reemplazado a opción de CountyLine, sujeto a los términos y condiciones establecidos en la presente. Tome nota de que esta garantía limitada cubre defectos de manufactura solamente y no el desgaste común. Todos los aparatos mecánicos periódicamente necesitan repuestos y servicio para un funcionamiento correcto. Esta garantía limitada no cubre las reparaciones que se realicen cuando el uso normal haya agotado la vida útil de una pieza o del aparato.

Es necesario retener el recibo de compra original y la etiqueta de información de la garantía a fin de determinar la elegibilidad para la garantía. La elegibilidad se basa en la fecha de compra del producto original - no en la fecha del reemplazo bajo la garantía. La garantía es limitada y cubre solamente la reparación o el reemplazo del producto original adquirido, no del producto reemplazado (es decir que se permite un reemplazo por compra bajo la garantía). El comprador pagará todos los costos de remoción, instalación, mano de obra y envío necesarios, así como todo costo adicional asociado.

Si necesita piezas o ayuda para la resolución de problemas, NO devuelva el producto a la tienda minorista. Llame al Departamento de Atención al Cliente de CountyLine al 800-535-4950.

Las reclamaciones hechas bajo esta garantía se realizarán mediante la devolución del producto (a excepción de las bombas cloacales - ver a continuación) al concesionario de venta al público en donde se haya adquirido inmediatamente después de haber descubierto cualquier presunto defecto. CountyLine entonces tomará la medida correctiva tan pronto como sea razonablemente posible. No se aceptarán solicitudes de servicio, si se reciben más de 30 días después del vencimiento de esta garantía.

La garantía no es transferible y no cubre productos utilizados en aplicaciones comerciales o de alquiler.

Bombas cloacales

NO devuelva una bomba cloacal (que se haya instalado) a su tienda minorista. Comuníquese con el Departamento de Atención al Cliente de CountyLine. Las bombas cloacales que hayan estado en servicio y se hayan removido pueden representar un peligro de contaminación.

Si su bomba cloacal ha fallado:

- Use guantes de caucho cuando manipule la bomba;
- Para los fines de la garantía, devuelva la etiqueta del cordón de la bomba y el recibo de compra original a la tienda minorista;
- Descarte la bomba cumpliendo con todas las normas locales que correspondan para su eliminación.

Excepciones para la garantía limitada de doce (12) meses

Producto	Período de garantía
CL106, CL108	90 días
CLTS33P, CLSU14	2 años
Bombas de pozo sumergibles de 4"	3 años
Tanque Tanques de presión CLVS50C, CLW750	5 años

Términos y condiciones generales; Limitación de recursos

Usted deberá pagar por todos los gastos de mano de obra y de envío necesarios para reemplazar el producto cubierto por esta garantía. Esta garantía no se aplicará en las siguientes situaciones: (1) caso de fuerza mayor (2) productos que, a sólo juicio de CountyLine hayan sido sometidos a negligencia, abuso, accidente, mala aplicación, manejo indebido o alteraciones; (3) fallas debido a instalación, operación, mantenimiento o almacenamiento inadecuados; (4) aplicaciones, usos o servicios que no sean normales o aprobados; (5) fallas provocadas por corrosión, herrumbre u otros materiales extraños en el sistema, o una operación a presiones que excedan los máximos recomendados.

Esta garantía establece la única obligación de CountyLine y el recurso exclusivo del Comprador con respecto a los productos defectuosos.

COUNTYLINE NO SE HARÁ RESPONSABLE DE NINGÚN DA—O CONSECUENTE, INCIDENTAL O CONTINGENTE. LAS GARANTÍAS LIMITADAS QUE ANTECEDEN SON EXCLUSIVAS Y EN LUGAR DE TODA OTRA GARANTÍA EXPLÍCITA E IMPLÍCITA, INCLUYENDO, PERO SIN LIMITARSE A LAS GARANTÍAS IMPLÍCITAS DE COMERCIABILIDAD E IDONEIDAD PARA UN FIN ESPECÍFICO. LAS GARANTÍAS LIMITADAS QUE ANTECEDEN NO SE EXTENDERÁN MÁS ALLÁ DEL PERÍODO DE DURACIÓN INDICADO EN LA PRESENTE.

Algunos Estados no permiten la exclusión o limitación de daños incidentales o consecuentes o de limitaciones de tiempo sobre garantías implícitas, de modo que es posible que las limitaciones o exclusiones que preceden no correspondan en su caso. Esta garantía le otorga derechos legales específicos y es posible que Usted también tenga otros derechos que pueden variar de un Estado al otro.

10. Seguridad Personal:
 - a. No la enchufe ni la manipule de otra manera con manos mojadas o cuando esté parado sobre una superficie mojada o húmeda, o en el agua.
 - b. Use lentes protectores en todo momento cuando trabaje en la bomba.
 - c. Mantenga el lugar de trabajo limpio, despejado y debidamente iluminado - guarde todas herramientas y el equipo que no se use.
 - d. Mantenga a los visitantes a una distancia segura del lugar de trabajo.
 - e. Asegúrese de que su taller sea a prueba de niños - con candados, interruptores maestros y sacando las llaves del arrancador.
11. Cuando instale el cableado de una bomba accionada eléctricamente, siga todos los códigos eléctricos y de seguridad que correspondan.
12. **⚠ ADVERTENCIA** Riesgo de choque eléctrico. Puede provocar choque, quemadura o muerte. Esta bomba solamente se puede usar con corriente de 115 voltios (monofásica) y está equipado con un cordón aprobado de 3 conductores y 3 clavijas, del tipo de puesta a tierra.
 - Para reducir el riesgo de choque eléctrico, desenchufe la bomba antes de repararla. No se ha comprobado aún si esta bomba pueda ser usada en albercas. La bomba es suministrada con un conductor de puesta a tierra y un enchufe del tipo de puesta a tierra. Asegúrese de que sea conectado solamente a un tomacorriente puesto a tierra, del tipo de puesta a tierra.
 - Si el tomacorriente mural es del tipo para 2 clavijas, éste debe ser reemplazado por un tomacorriente de 3 clavijas e instalado de acuerdo con los códigos y reglamentos que correspondan.
13. Todo el cableado debe ser efectuado por un electricista calificado.
14. Asegúrese de que la fuente de alimentación cumple con los requisitos de su equipo.
15. Proteja el cordón eléctrico contra objetos afilados, superficies calientes, aceite y productos químicos. Evite que se enrede. Reemplace o repare inmediatamente un cordón que esté dañado o gastado.
16. **⚠ PRECAUCIÓN** Riesgos de quemaduras. No toque un motor cuando esté funcionando. Los motores pueden funcionar a temperaturas altas.

17. No manipule la bomba o el motor de la bomba con las manos mojadas o cuando esté parado en suelo húmedo o mojado o en el agua.

⚠ ADVERTENCIA Riesgo de choque eléctrico. Puede provocar choque, quemadura o muerte. Si su sótano tiene agua o humedad en el piso, no camine en el lugar mojado hasta que no haya cortado toda la energía eléctrica. Si la llave de paso está en el sótano, llame a la compañía eléctrica o a la compañía de electricidad para cortar el servicio a su casa o llame al departamento de bomberos de su localidad para solicitar instrucciones. Saque la bomba y repárela o reemplácela. El incumplimiento de esta advertencia puede resultar en un choque eléctrico mortal.

18. No levante la bomba por medio del cordón de corriente.

Para situaciones de emergencia en caso de inundación

⚠ ADVERTENCIA Riesgo de choque eléctrico. Puede provocar choque, quemadura o muerte. Si su sótano tiene un suelo húmedo o mojado, no camine por el área mojada hasta que no haya desconectado la corriente eléctrica. Si la llave de paso está en el sótano, llame a la empresa de suministro de energía o a la autoridad de servicio público de energía para que desconecten el servicio a la casa, o llame a su departamento de bomberos local para obtener instrucciones al respecto. Retire la bomba y repárela o cámbiela. Si hace caso omiso de esta advertencia, corre el riesgo de un choque eléctrico fatal.

1. Instale el adaptador y la boquilla de la manguera en la válvula de retención de la Bomba. Instale la manguera en el adaptador y sujétela con abrazaderas.
2. Levante el cordón y adhiéralo con cinta adhesiva a la tubería de descarga de la Bomba. Enchufe la bomba y conéctela a un cordón de alargue resistente al agua, de tres puntas con puesta a tierra, tipo SJTW aprobado por UL y/o CSA. El cordón debe ser de calibre No. 14 AWG, como mínimo, y con un largo que no supere 100 pies. Es importante que los enchufes y el cordón de alargue permanezcan fuera del agua.
3. Saque la bomba vieja del sumidero y póngala a un lado.
4. Haga bajar la Bomba dentro del sumidero. Verifique que el cordón eléctrico sea lo suficientemente largo para que el enchufe quede fuera del agua cuando la bomba esté funcionando.
5. Haga correr la manguera hacia afuera del área inundada hacia un área adecuada para el desagüe.

- 6. **⚠ ADVERTENCIA** **Riesgo de choque eléctrico.** Puede provocar choque, quemadura o muerte. Vaya a un área seca, quítese los zapatos mojados y cámbiese la ropa mojada. CUANDO USTED ESTÉ SECO, enchufe el cordón de alargue en el tomacorriente con puesta a tierra (con un GFCI - disyuntor de escape a tierra - si es posible). NO SE PARE EN EL AGUA PARA ENCHUFAR LA BOMBA.
- 7. Los requerimientos del Código Eléctrico Nacional ("NEC") y del Código Eléctrico Canadiense ("CEC") prohíben el uso de un cordón de alargue con esta bomba en una instalación permanente. Tan pronto como sea posible, saque el cordón de alargue y vuelva a instalar la bomba como bomba de repuesto permanente, con un cordón eléctrico que se conecte directamente a un receptáculo de tipo puesta a tierra y que esté debidamente conectado a tierra. Instale la bomba conforme a las instrucciones, y a todas las normas y reglamentos que apliquen.
- 8. Supervise el funcionamiento de la bomba. La bomba se detendrá automáticamente cuando el nivel del agua haya bajado hasta el punto en que el interruptor se apague ("OFF").

AVISO El uso de un cordón de alargue con esta bomba no está aprobado por la CSA.

Instalacion

- 1. Instale la bomba en un foso de recogida con un diámetro mínimo de 10" (254 mm). La profundidad del sumidero debe ser de 10" (254 mm). Construya el foso de recogida de losetas, hormigón, acero o plástico. Confirme los materiales aprobados y la instalación adecuada requeridos por las normas locales.
- 2. Instale la bomba en el pozo de manera que el mecanismo de operación del interruptor tenga el mayor juego posible.

Ajuste del interruptor en mm (pulgadas)	
Encendido	Apagado
8 po. (203)	3.5 po. (89)

- 3. La bomba no debe ser instalada en arcilla, tierra o superficies arenosas. Saque las piedritas y arenillas que puedan haber en el pozo del sumidero pues pueden obstruir la bomba. Mantenga limpio el filtro de admisión de la bomba.

AVISO No use obturador de juntas de tubería en las tuberías de plástico. El obturador de juntas de tubería puede dañar el plástico.

- ⚠ PRECAUCIÓN** **Riesgo de inundación.** Puede provocar lesiones personales y/o daños materiales. Si se usa una manguera de descarga flexible, asegúrese de que la bomba esté bien inmobilizada para que no pueda moverse dentro del sumidero. Si la bomba no está bien firme puede moverse y causar interferencia con el interruptor e impedir que la bomba se ponga en marcha o se detenga.
- 4. **Fuente de Alimentación: La bomba está diseñada para funcionar con corriente de 115 V, 60 Hz. y requiere un ramal individual mínimo de 15 amps.** Tanto la bomba como el interruptor vienen con juegos de cordones de 3 conductores con enchufes del tipo de puesta a tierra. El enchufe del interruptor se enchufa directamente en el tomacorriente y el enchufe de la bomba se enchufa en el extremo opuesto del enchufe del interruptor.

- ⚠ ADVERTENCIA** **Riesgo de choque eléctrico.** Puede provocar choque, quemadura o muerte. La bomba siempre debe ser puesta a tierra en una tierra eléctrica adecuada tales como una tubería en el agua que esté puesta a tierra o un conducto metálico debidamente puesto a tierra o un sistema de alambre de puesta a tierra. No corte la clavija redonda de puesta a tierra.
- 5. Si la tubería de descarga de la bomba está expuesta a temperaturas exteriores inferiores al punto de congelación, la porción expuesta de la tubería debe ser instalada de manera que toda agua que quede en la tubería se drene por gravedad hacia la descarga. El incumplimiento de ésto puede causar que el agua atrapada en la tubería de descarga se congele, lo cual podría resultar en daño para la bomba.
- 6. Después de haber instalado la tubería, la válvula de retención y el conmutador a flotador, la unidad está lista para funcionar.
- 7. Verifique el funcionamiento de la bomba llenando el sumidero con agua y observando el funcionamiento de la bomba por un ciclo completo.

⚠ PRECAUCIÓN **Riesgo de inundación.** Puede provocar lesiones personales y/o daños materiales. El incumplimiento de esta verificación del funcionamiento puede resultar en funcionamiento impropio, falla prematura e inundación.

Funcionamiento

⚠ ADVERTENCIA **Riesgo de choque eléctrico.** Puede provocar choque, quemadura o muerte. No manipule la bomba o el motor de la bomba con las manos mojadas o cuando esté parado en suelo húmedo, mojado o en el agua.

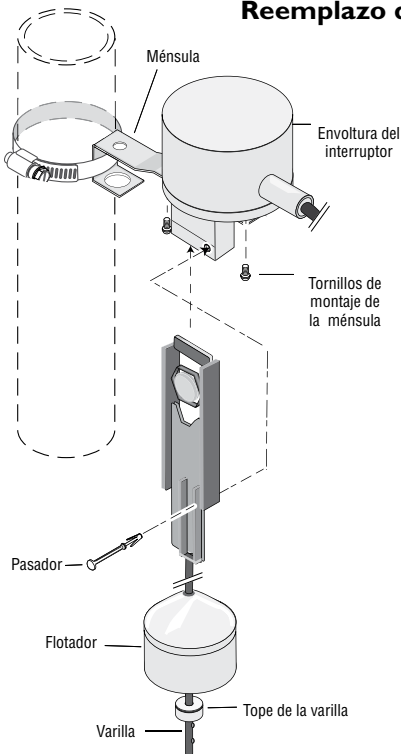
1. La junta del eje depende del agua para su lubricación. No haga funcionar la bomba a menos que esté sumergida en agua ya que la junta puede dañarse si se hace trabajar en seco.
2. **⚠ ADVERTENCIA** **Riesgo de arranques repentinos.** Puede provocar choque eléctrico y lesiones personales. El motor está equipado con un protector contra sobrecargas térmicas de reposición automática. Si la temperatura en el motor se eleva indebidamente, el interruptor puede cortar toda la energía antes de que se produzca daño al motor. Cuando el motor se ha enfriado suficientemente, el

interruptor se reposicionará automáticamente y el motor volverá a ponerse en marcha. Si el protector se desengancha en forma continua, la bomba debe ser sacada y revisada para verificar cual es el problema. Baja tensión, cables de alargue largos, impulsor atascado, muy baja altura de aspiración o elevación o una tubería de descarga tapada o congelada, etc. pueden hacer que se pase por el ciclo.

3. La bomba no saca toda el agua. La bomba no aspirará toda el agua. Si se está operando la bomba en forma manual y de repente no sale agua de la manguera de descarga, apague la unidad inmediatamente. Probablemente el nivel del agua es muy bajo y la unidad ha dejado de cebar.

⚠ ADVERTENCIA **Riesgo de choque eléctrico.** Puede provocar choque, quemadura o muerte. Antes de intentar revisar porque la bomba ha dejado de funcionar, desconecte la energía eléctrica.

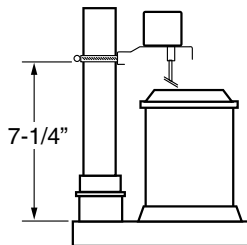
Reemplazo del interruptor vertical



1. Coloque la ménsula sobre la envoltura del interruptor
2. Deslice el flotador y luego el tope de vara por la vara pasando el pico.
3. Introduzca la unidad de la varilla dentro de la envoltura del interruptor y trábela en posición con el pasador.

AVISO Asegúrese de que el pasador sostenga la varilla dentro de la envoltura del interruptor, de lo contrario la bomba no se apagará.

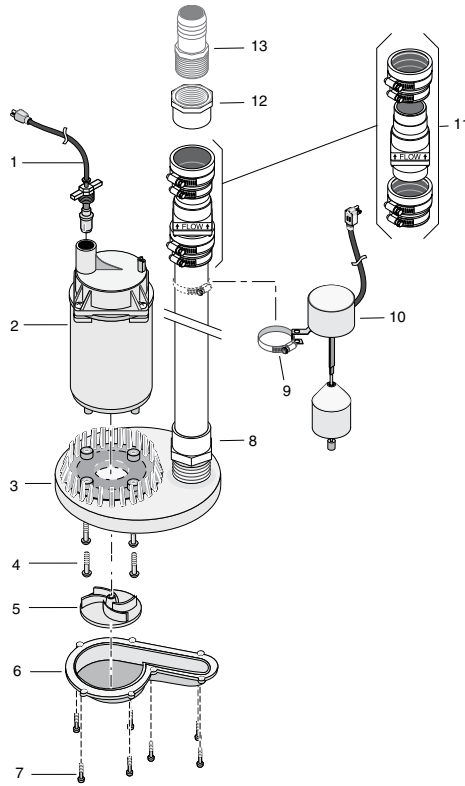
4. Fije el interruptor a la tubería de descarga según se ilustra. La parte inferior de la ménsula deberá estar a 7-1/4" por encima de la parte superior de la voluta para que los puntos de encender/apagar (on/off) queden en la posición correcta (ver abajo)



AVISO Consulte las instrucciones incluidas con el interruptor de repuesto, Repuesto No. FPS17-66.

⚠ ADVERTENCIA **Riesgo de choque eléctrico.** Puede provocar choque, quemadura o muerte. Desconecte la bomba de la fuente de alimentación eléctrica antes de efectuar cualquier trabajo en la misma.

Síntoma	Causa probable	Medida correctiva
La bomba no arranca ni funciona.	La bomba no está enchufada.	Verifique que la bomba esté enchufada en un tomacorriente adecuado.
	Fusible quemado o disyuntor disparado.	Si el fusible está quemado, sustitúyalo con un fusible de la capacidad correcta. Si el disyuntor se disparó, se debe rearmar.
	El voltaje de línea es demasiado bajo.	Si el voltaje está por debajo del mínimo recomendado verifique en el edificio el diámetro del alambre desde el interruptor principal. Si es el correcto, comuníquese con la empresa de electricidad o la autoridad hidroeléctrica.
	El motor está defectuoso.	Reemplace la bomba.
	El interruptor del flotante está defectuoso.	Reemplace el interruptor del flotante.
	El rodete no gira.	Si el rodete no gira, saque el cuerpo inferior de la bomba y ubique el lugar donde el rodete se trava.
	El movimiento del flotante está obstruido.	Retire las obstrucciones.
La bomba se pone en marcha y se detiene con demasiada frecuencia.	Hay retroceso de agua de la tubería.	Instale una válvula de retención.
	El interruptor del flotante está fallado.	Reemplace el interruptor del flotante.
La bomba no se desconecta.	Interruptor defectuoso del flotante.	Reemplace el interruptor del flotante.
	Descarga obstruida (obstáculos o hielo en las tuberías).	Retire la bomba y limpie la bomba y la tubería.
	El movimiento del flotante está obstruido.	Retire las obstrucciones.
	Tamiz de admisión restringido.	Saque la bomba y limpie el tamiz de admisión y el impulsor.
La bomba funciona pero el caudal es reducido o nulo.	El voltaje de línea es baja.	Si el voltaje es inferior al mínimo recomendado, verifique el diámetro del alambre que va desde el interruptor principal en el edificio. Si es el correcto comuníquese con la empresa de electricidad.
	Algo se ha quedado trabado en el rodete.	Saque la bomba y limpie el impulsor.
	El rodete tiene piezas desgastadas o defectuosas.	Limpie el rodete si está taponado, en caso contrario reemplace la bomba.
	Orificio de ventilación obturado.	Use un clavo o un clip sujetapapeles para abrir el orificio de ventilación en la tubería de descarga.
	Tamiz de admisión restringido.	Saque la bomba y limpie el tamiz de admisión.
	Verifique que la válvula no esté instalada hacia atrás o invertida.	Asegúrese de que la válvula de retención esté debidamente instalada.



Ref.	Descripción	Cant.	No. de piezas
1	Ensamblaje de cordón de corriente	1	PS117-54-TSU
2	Motor	1	**
3	Voluta (superior)	1	PS1-31P
4	Tornillo, cabeza de cono achatado Phillips, #8-32x5/8"	4	†
5	Impulsor	1	RP0000911A
6	Voluta (inferior)	1	PS1-30P
7	Tornillo, cabeza grande de cono achatado, #8-16x1/2"	7	†
8	Adaptador de 1-1/4" NPT x 1-1/4" corrediza	1	†
9	Abrazadera del interruptor	1	†
10	Unidad del interruptor de flotador vertical (incluye la Ref. 9)	1	FPS17-66
11	Válvula de retención	1	FP0026-10
12	Adaptador de 1-1/4" NPT x 1-1/2" corrediza	1	†
13	Boquilla de manguera de 1-1/4" NPT x 1-1/4"	1	†
•	Juego de manguera de 1-1/4" x 24' (incluye la Ref. 12)	1	FP0012-6U

**Si el motor está defectuoso. Reemplace la bomba.

† Artículo de ferretería estándar; se debe adquirir localmente.

• No se ilustra

